



US00D507376S

(12) **United States Design Patent**
Tobin

(10) **Patent No.: US D507,376 S**
(45) **Date of Patent: ** *Jul. 12, 2005**

(54) **HAIR SETTER**

(75) Inventor: **Richard Neil Tobin**, Stamford, CT
(US)

(73) Assignee: **Conair Corporation**, Stamford, CT
(US)

(*) Notice: This patent is subject to a terminal disclaimer.

(**) Term: **14 Years**

(21) Appl. No.: **29/149,706**

(22) Filed: **Oct. 12, 2001**

(51) **LOC (8) Cl.** **28-03**

(52) **U.S. Cl.** **D28/38**

(58) **Field of Search** D28/38, 73; 132/212,
132/227-231, 233, 234, 272; 219/222, 226,
242, 385, 386

(56) **References Cited**

U.S. PATENT DOCUMENTS

D206,982 S	*	2/1967	Giaccero	D28/38
D225,132 S	*	11/1972	Benty et al.	D28/38
D289,091 S	*	3/1987	Skovdal	D28/38
4,658,114 A	*	4/1987	Hong	219/222
4,881,559 A	*	11/1989	Kin	132/226
5,606,983 A	*	3/1997	Monty et al.	132/229
D397,828 S	*	9/1998	Kip	D28/38

OTHER PUBLICATIONS

W. Bell 1986 cat., p. 231: items 1 and 3.*
Best 1995/96, p. J4: items J and M.*

* cited by examiner

Primary Examiner—Ted Shooman
Assistant Examiner—C Tuttle

(74) *Attorney, Agent, or Firm*—Ohlandt, Greeley, Ruggiero & Perle L.L.P.

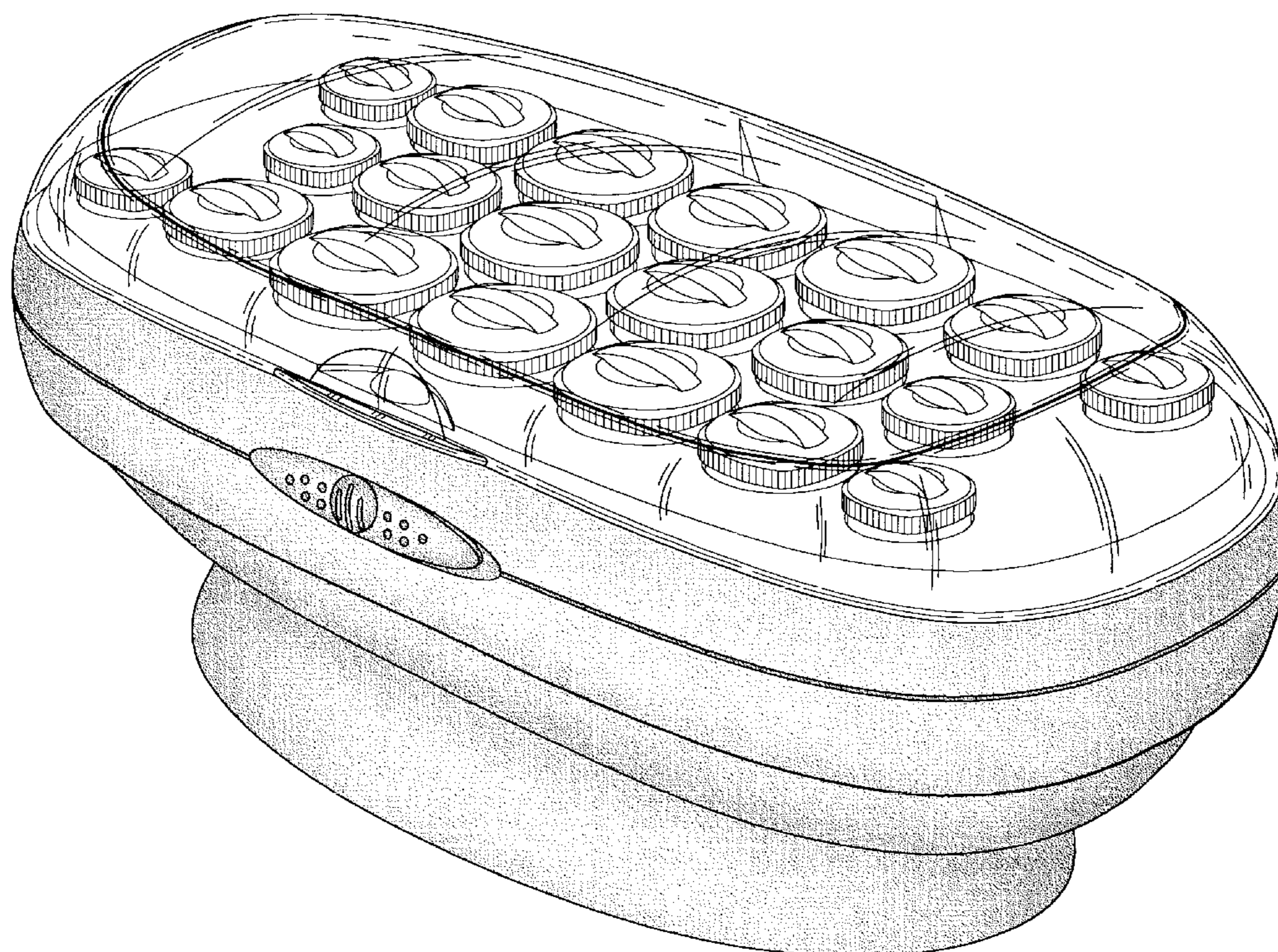
(57) **CLAIM**

The ornamental design for the hair setter, as shown and described in the accompanying figures.

DESCRIPTION

FIG. 1 is a perspective view of a hair setter according to the present invention;
FIG. 2 is a front view of the hair setter of FIG. 1;
FIG. 3 is a rear view, opposite the front view, of the hair setter of FIG. 1;
FIG. 4 is a top view of the hair setter of FIG. 1;
FIG. 5 is a side view of the hair setter of FIG. 1, the opposite side view being symmetric therewith; and,
FIG. 6 is a side view of the hair setter of FIG. 5, showing the hair setter open and in a tilted position.
The broken line showing of the cord in FIG. 6 is for illustrative purposes only and forms no part of the claimed design.

1 Claim, 5 Drawing Sheets



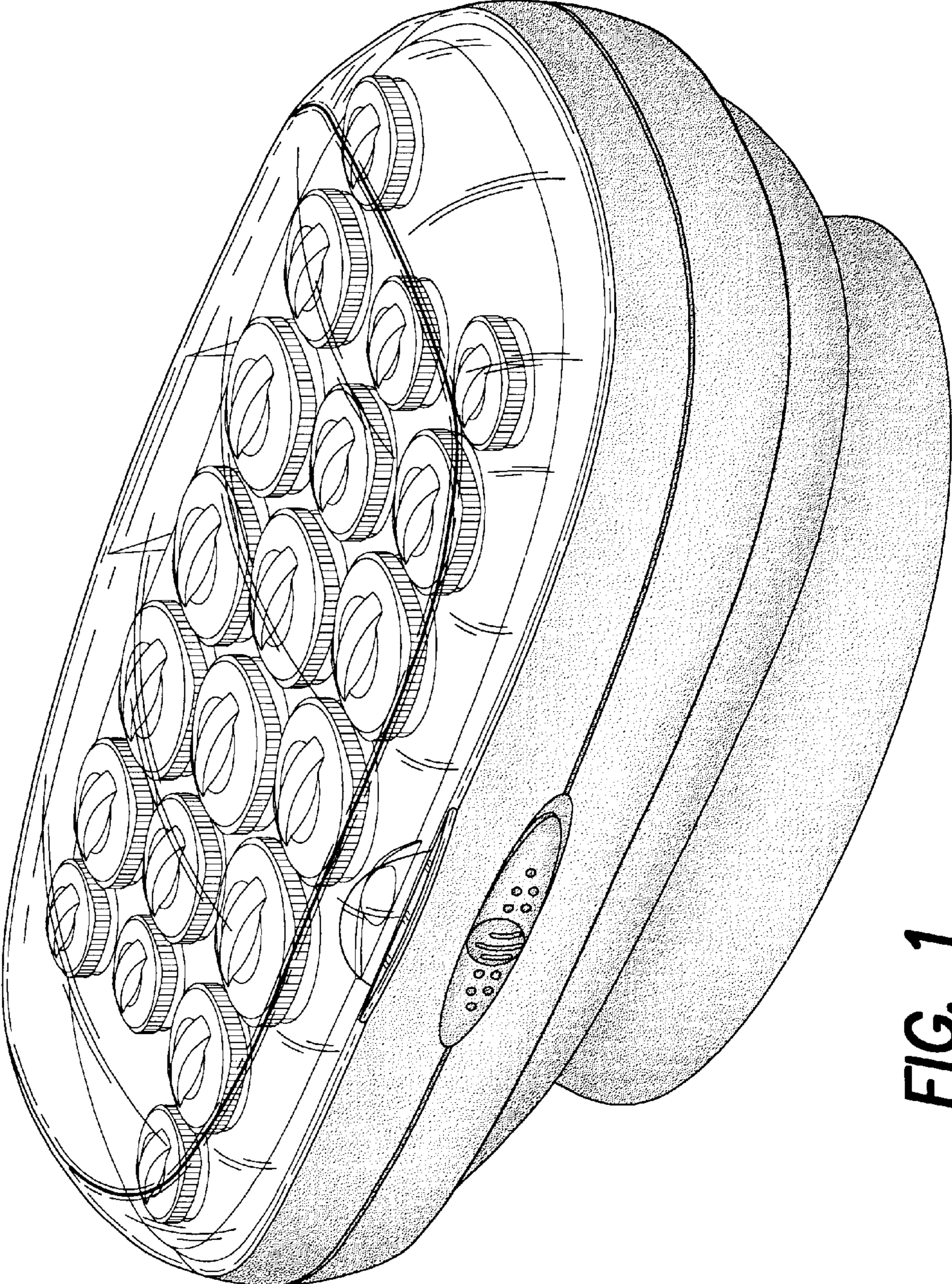


FIG. 1

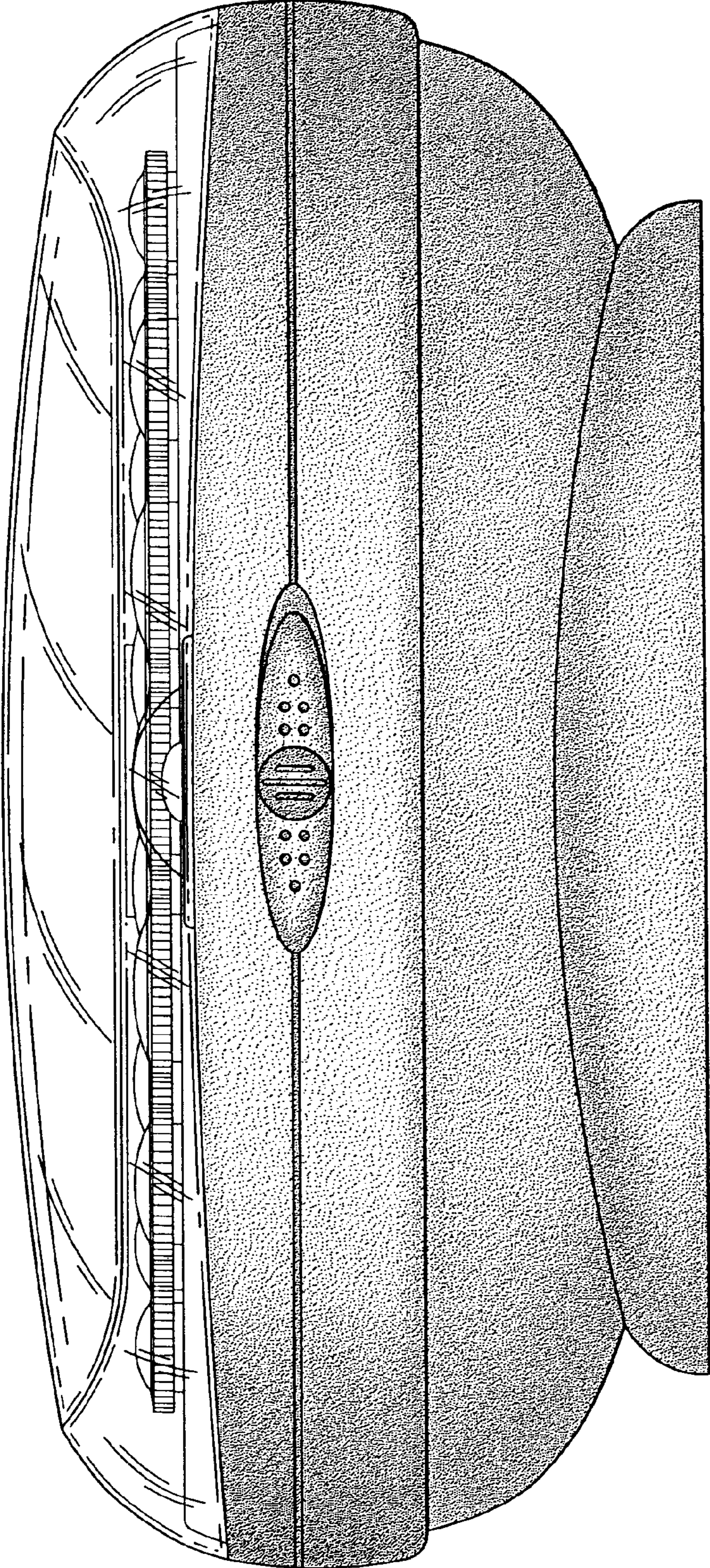


FIG. 2

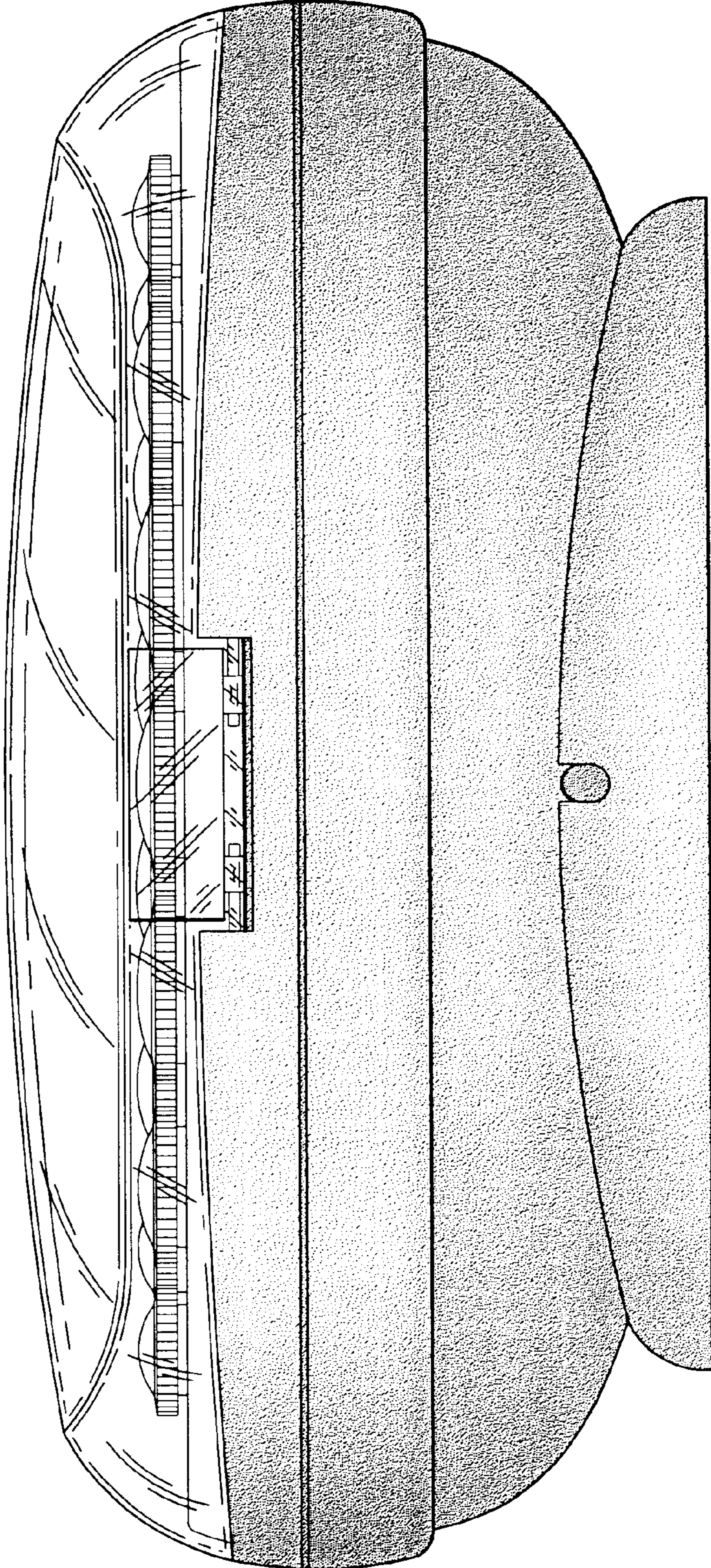


FIG. 3

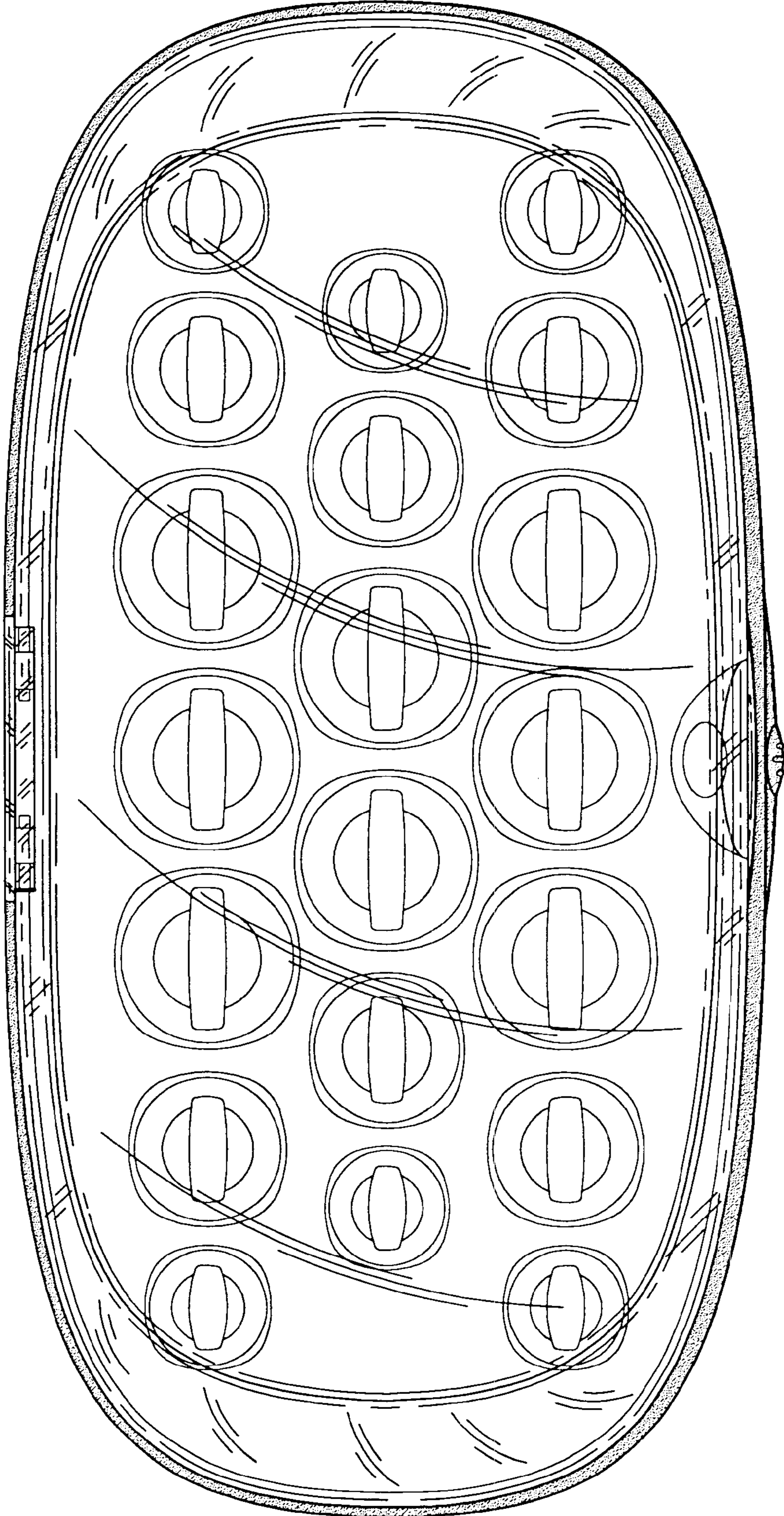


FIG. 4

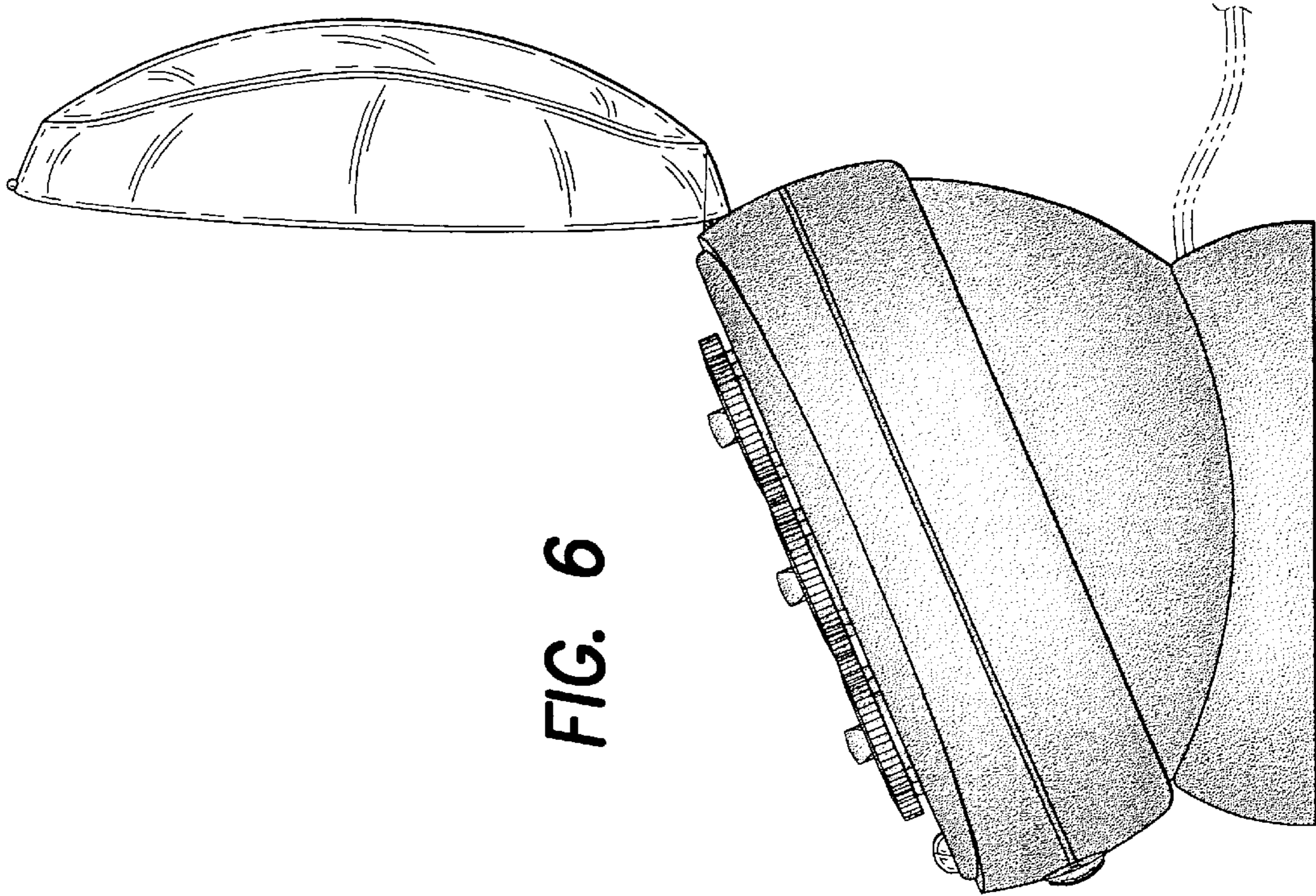


FIG. 6

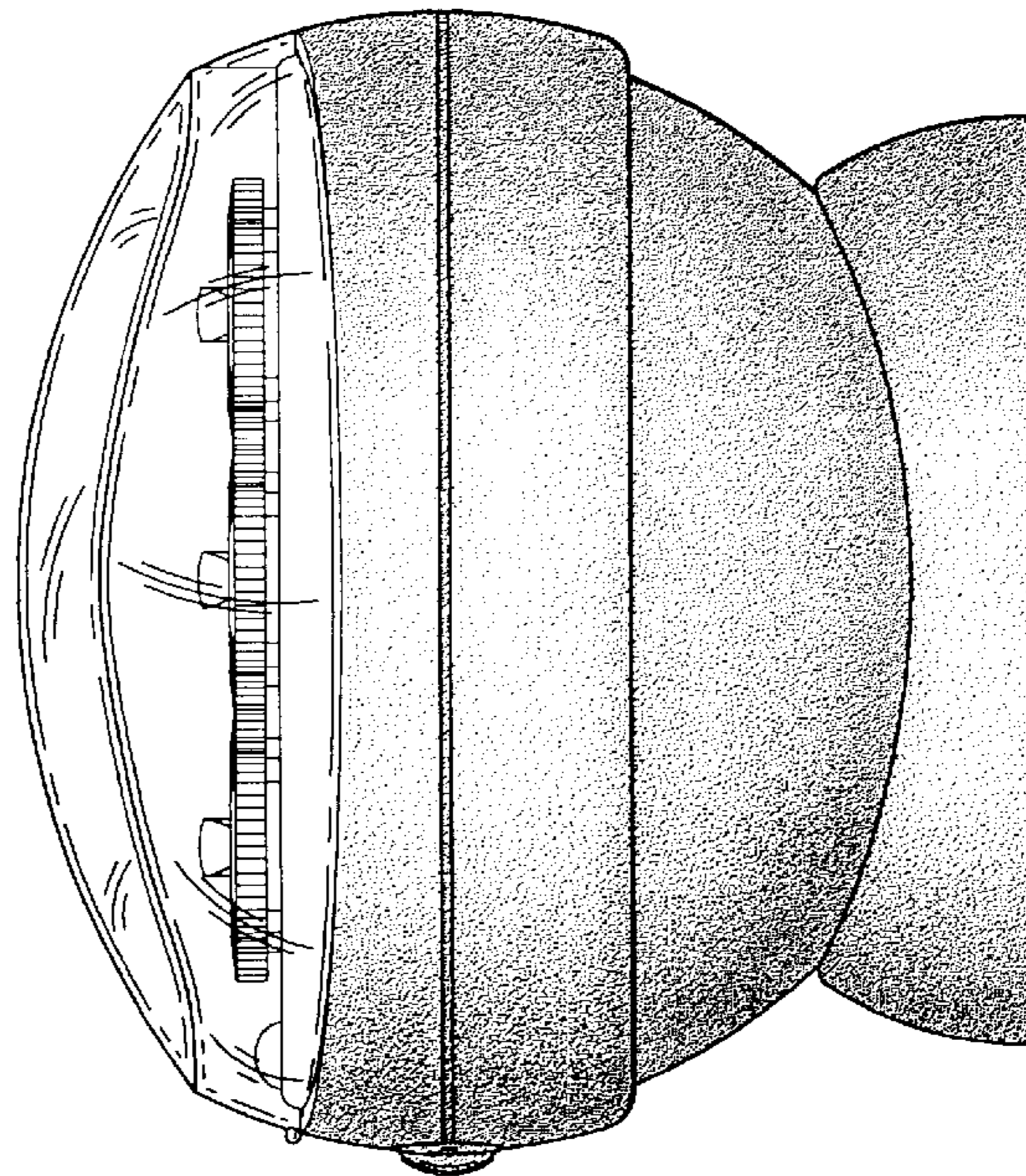


FIG. 5