

US00D507375S

(12) **United States Design Patent**  
**Lin**

(10) **Patent No.:** **US D507,375 S**

(45) **Date of Patent:** **\*\* Jul. 12, 2005**

(54) **GOLD BAR LIGHTER**

D493,913 S \* 8/2004 Kwok ..... D27/141

(76) **Inventor:** **Rong Lin**, 109 Kings Mountain Dr.,  
Greer, SC (US) 29650

\* cited by examiner

*Primary Examiner*—Jennifer Rivard

(\*\*) **Term:** **14 Years**

(57) **CLAIM**

(21) **Appl. No.:** **29/206,005**

The ornamental design for a gold bar lighter, as shown.

(22) **Filed:** **May 25, 2004**

**DESCRIPTION**

(51) **LOC (8) Cl.** ..... **27-05**

(52) **U.S. Cl.** ..... **D27/148; D27/157**

(58) **Field of Search** ..... D27/141, 142,  
D27/148, 152–158, 160; 431/132, 143,  
253, 254–257

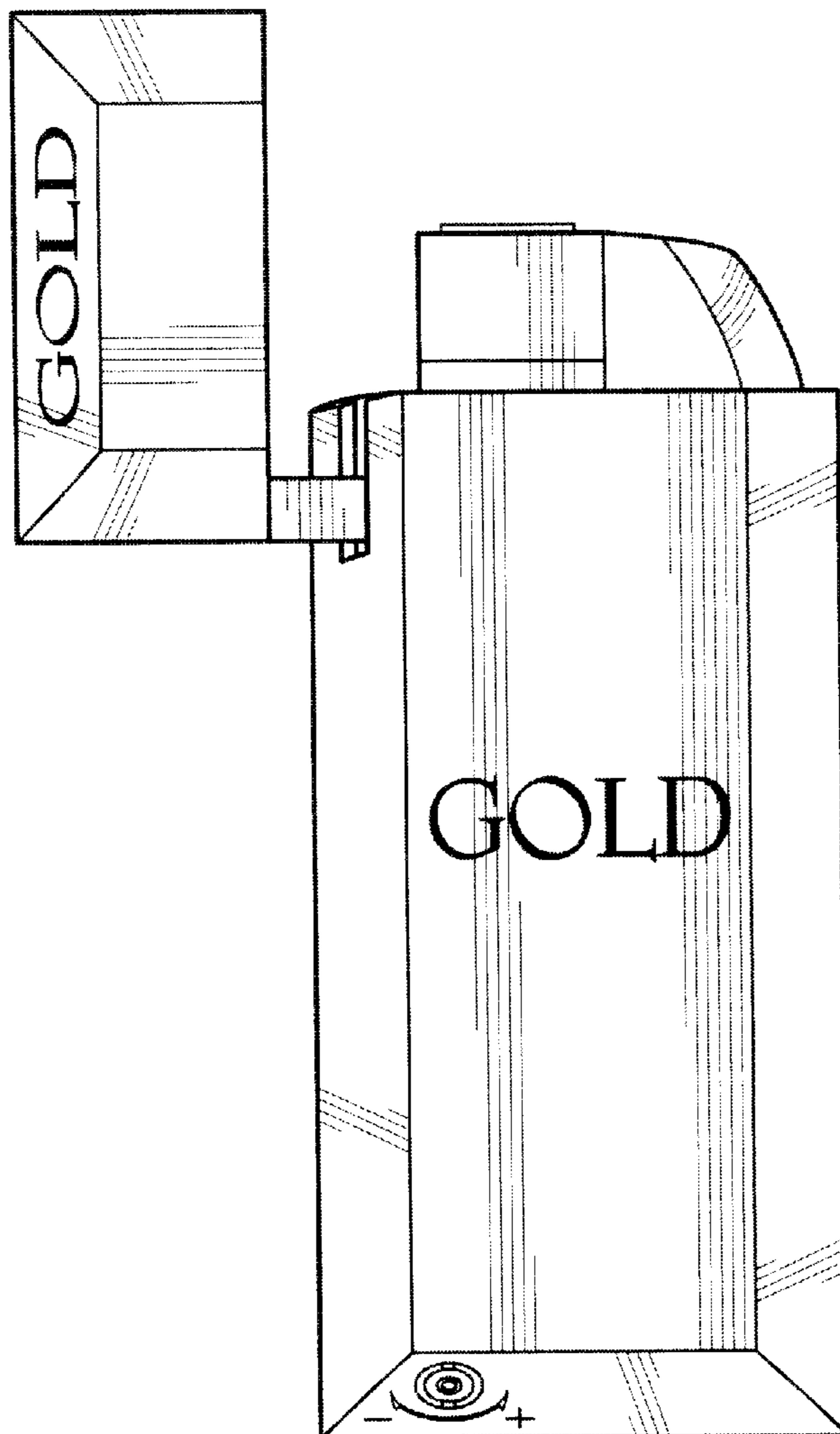
FIG. 1 is a front elevational view thereof;  
FIG. 2 is a rear elevational view thereof;  
FIG. 3 is a left side elevational view thereof;  
FIG. 4 is a right side elevational view thereof;  
FIG. 5 is a top plan view thereof;  
FIG. 6 is a bottom plan view thereof.  
FIG. 7 is a front elevational view, open position thereof; and,  
FIG. 8 is a top plan view, open position thereof.

(56) **References Cited**

**U.S. PATENT DOCUMENTS**

D291,371 S \* 8/1987 Stutzer ..... D27/141

**1 Claim, 3 Drawing Sheets**



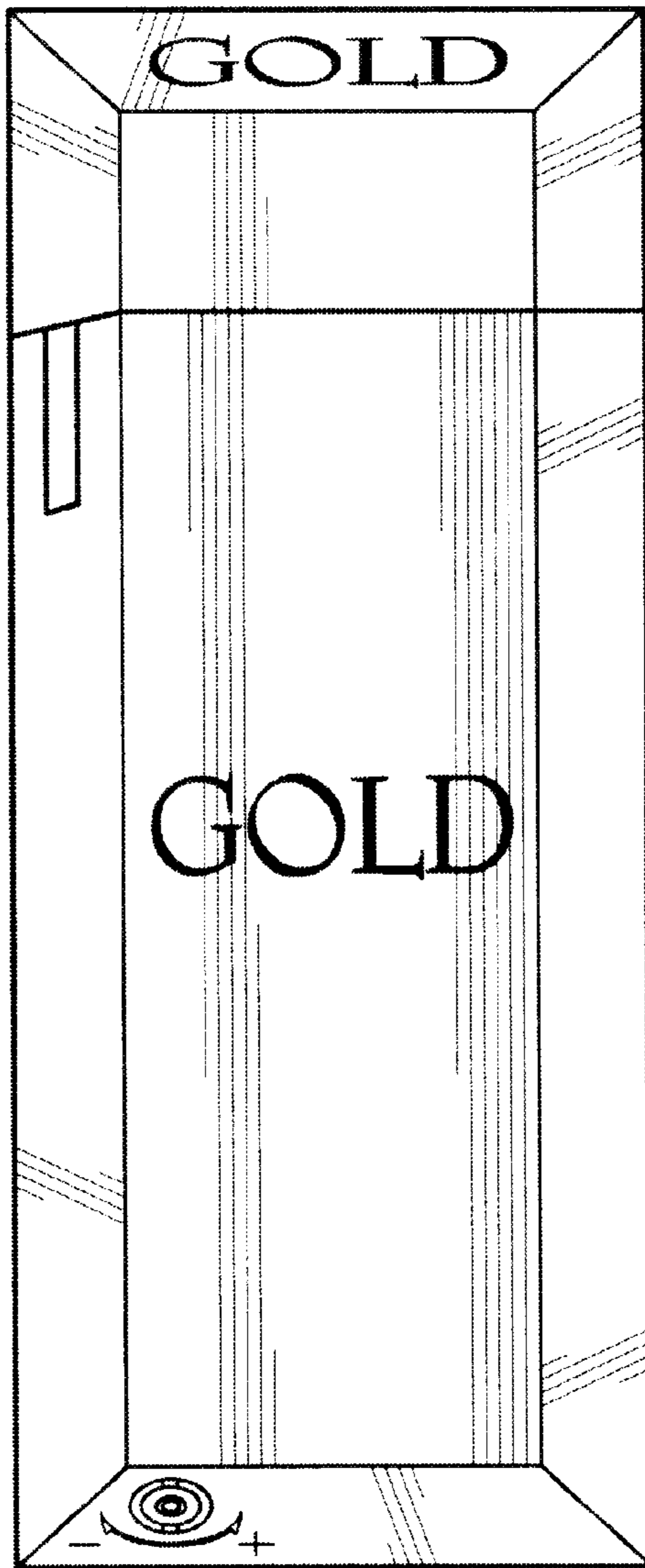


FIG. 1

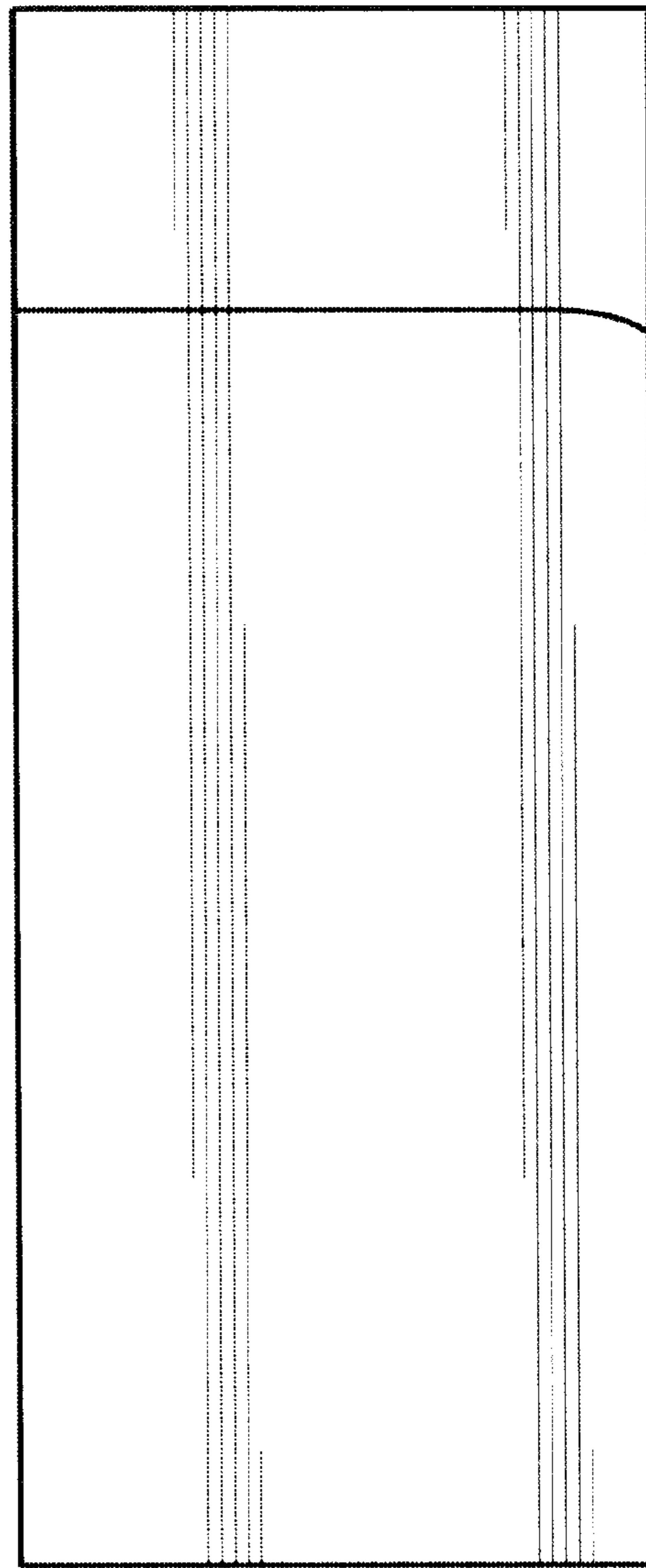


FIG. 2

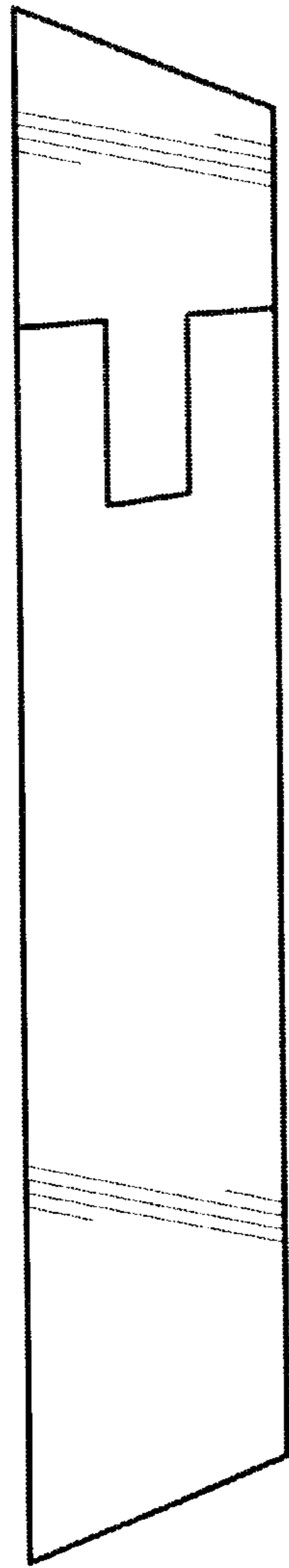


FIG. 3

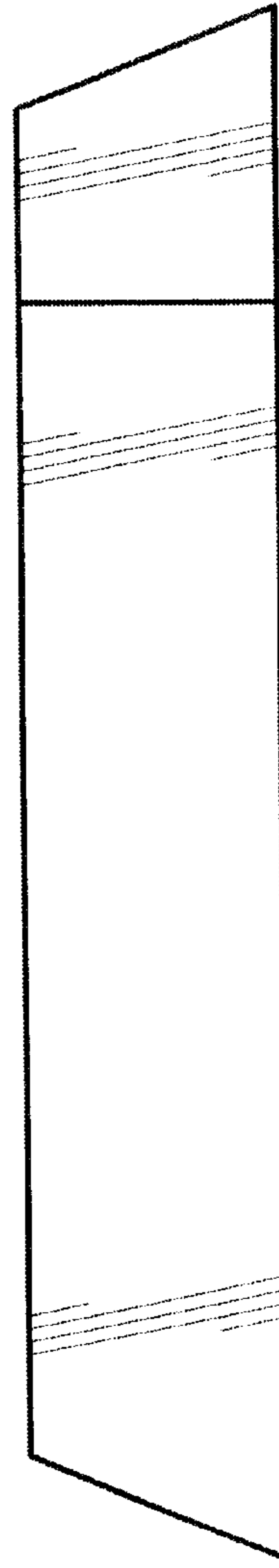


FIG. 4



FIG. 5

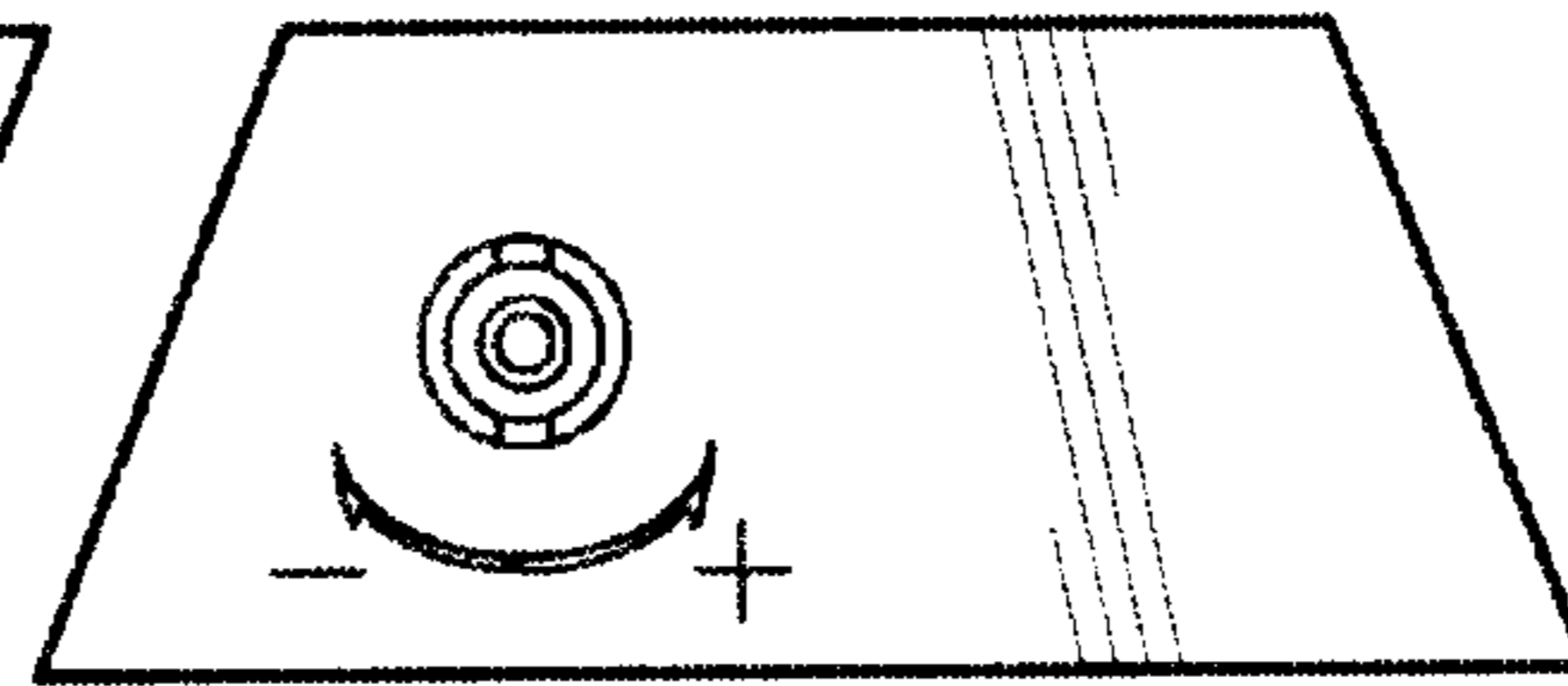


FIG. 6

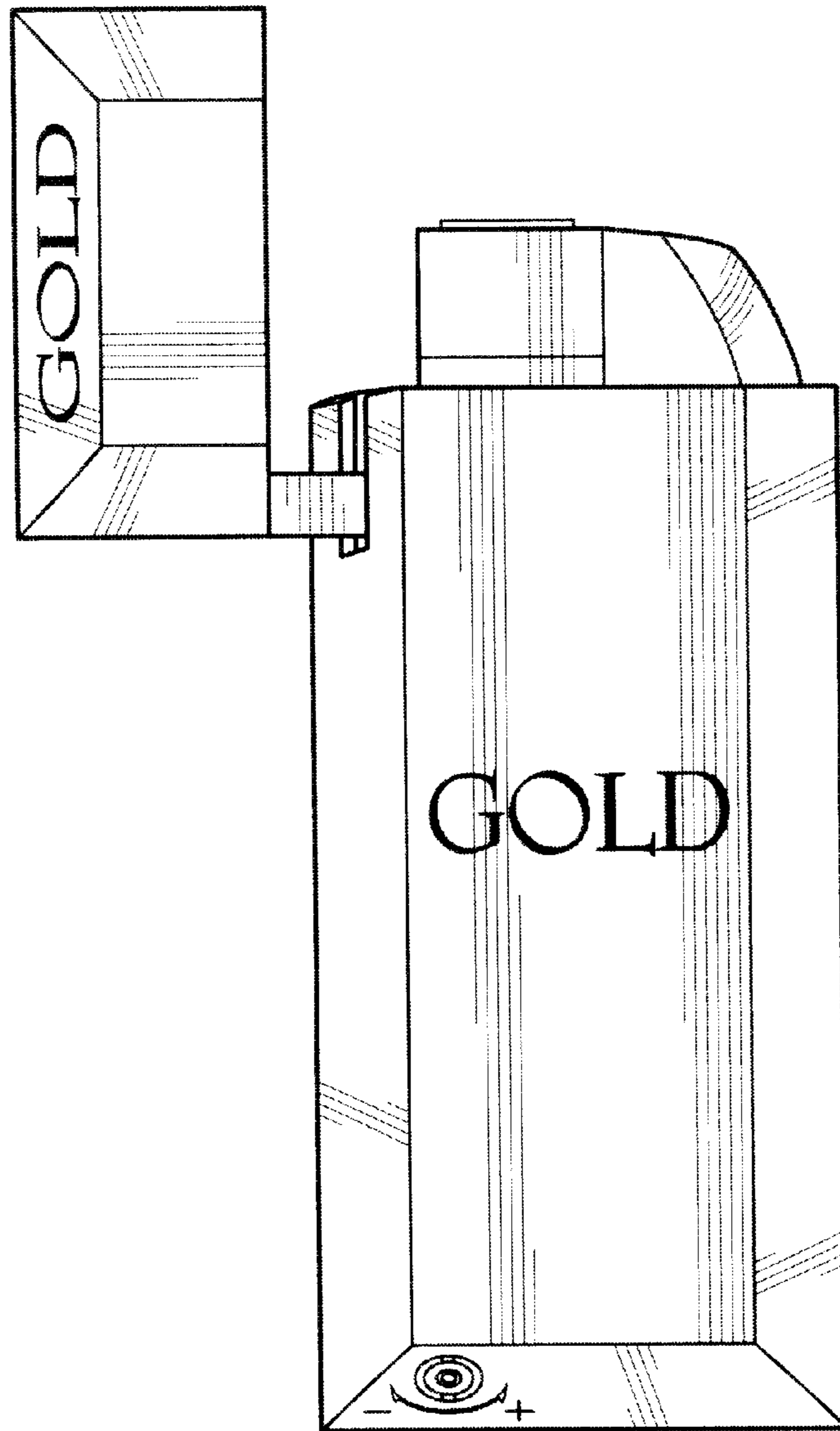


FIG. 7

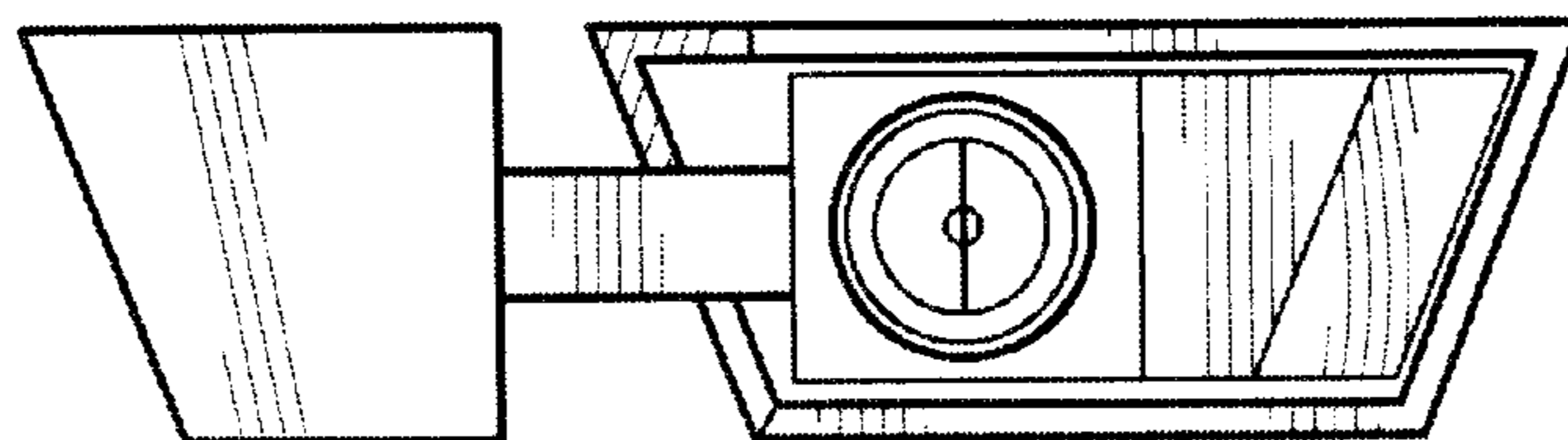


FIG. 8