

US00D507372S

(12) **United States Design Patent**  
**Lu**

(10) **Patent No.:** **US D507,372 S**

(45) **Date of Patent:** **\*\* Jul. 12, 2005**

(54) **LAMP**

D441,114 S \* 4/2001 Chen ..... D26/63  
D500,156 S \* 12/2004 Kao ..... D26/61

(76) **Inventor:** **James Lu**, Xin E Rd., E-Gong-Ling,  
Pin Hu 518111, Shenzhen (CN)

\* cited by examiner

(\*\*) **Term:** **14 Years**

*Primary Examiner*—Clare E Heflin

(74) *Attorney, Agent, or Firm*—Raymond Y. Chann; David  
and Raymond

(21) **Appl. No.:** **29/202,499**

(22) **Filed:** **Mar. 30, 2004**

(57) **CLAIM**

The ornamental design for a lamp, as shown.

(51) **LOC (8) Cl.** ..... **26-05**

(52) **U.S. Cl.** ..... **D26/62; D26/107**

(58) **Field of Search** ..... D26/61–63, 118,  
D26/93, 107; 362/269, 277, 278, 282, 285,  
287, 288, 410, 413, 418–430, 449

**DESCRIPTION**

FIG. 1 is a perspective view showing my new design.

FIG. 2 is a front view thereof.

FIG. 3 is a rear view thereof.

FIG. 4 is a left end view thereof.

FIG. 5 is a right end view thereof.

FIG. 6 is a top view thereof; and,

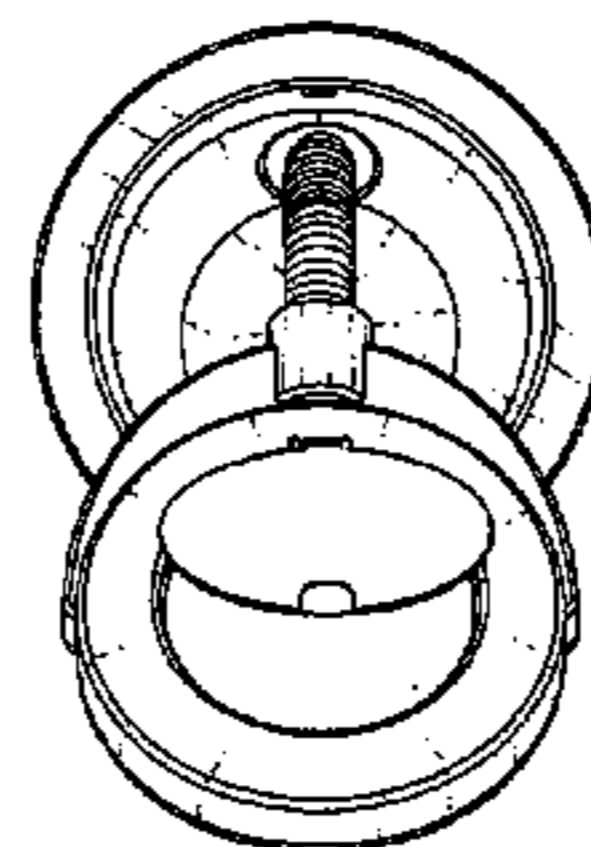
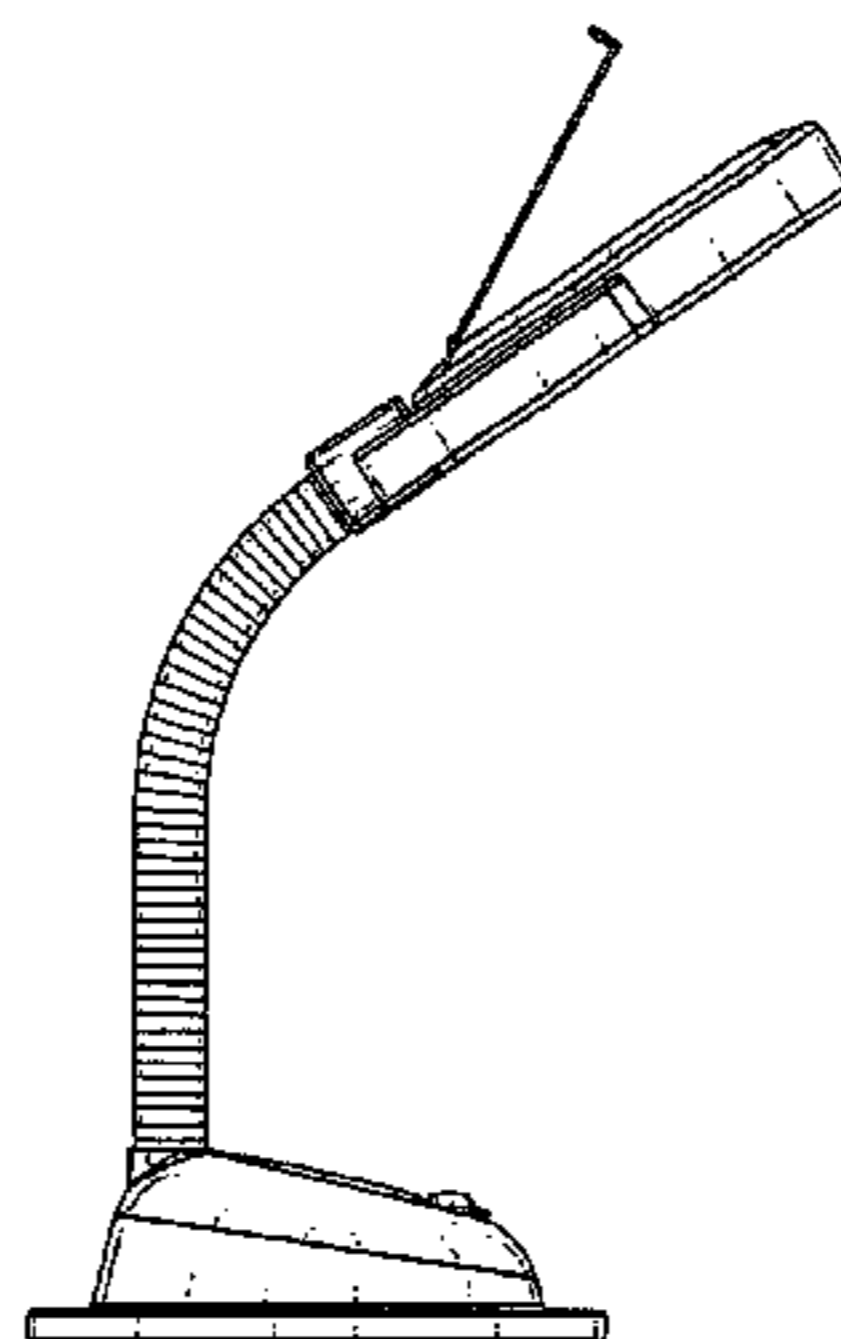
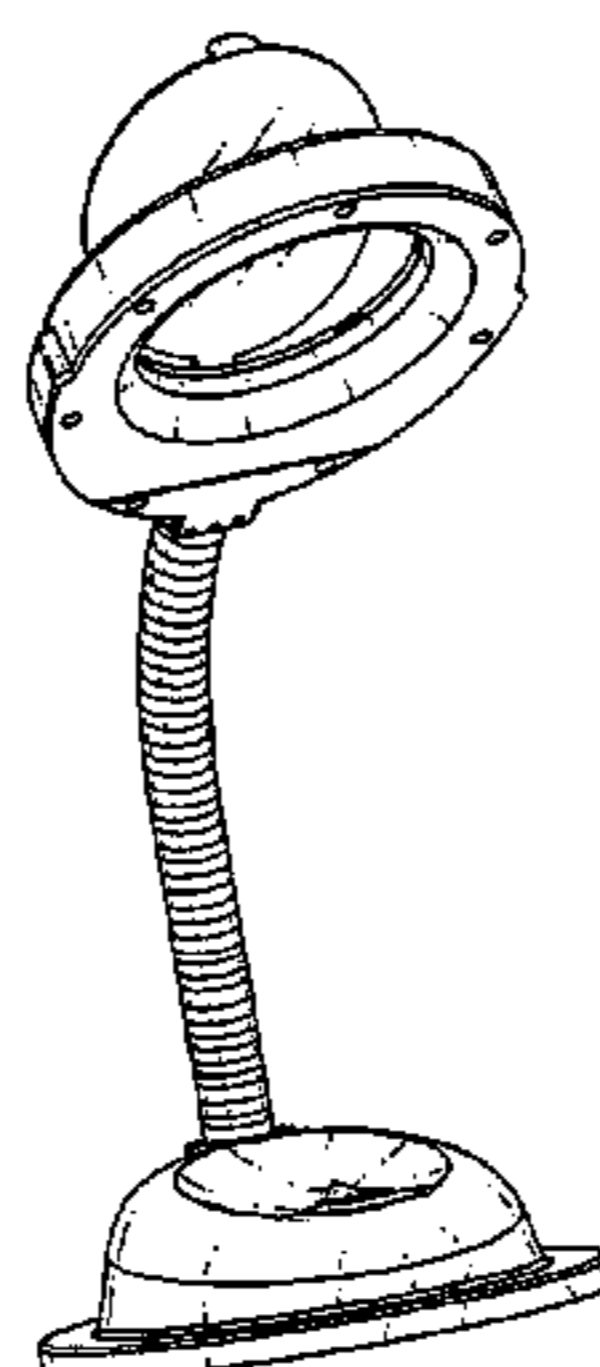
FIG. 7 is a bottom view thereof.

(56) **References Cited**

**U.S. PATENT DOCUMENTS**

D208,202 S \* 8/1967 Imanishi ..... D26/52  
D269,297 S \* 6/1983 Lebowitz ..... D26/65  
D368,549 S \* 4/1996 Huang ..... D26/107  
D392,404 S \* 3/1998 Brown ..... D26/62

**1 Claim, 7 Drawing Sheets**



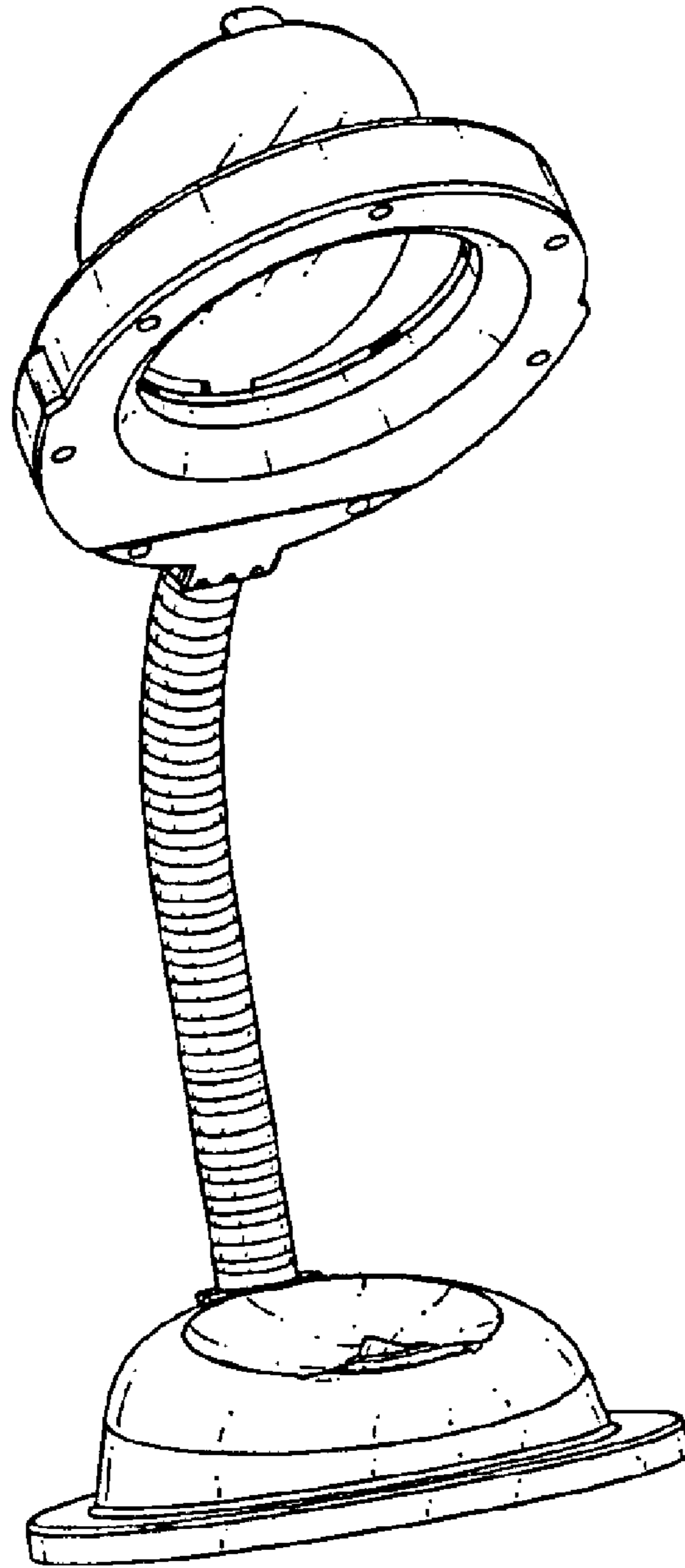


FIG. 1

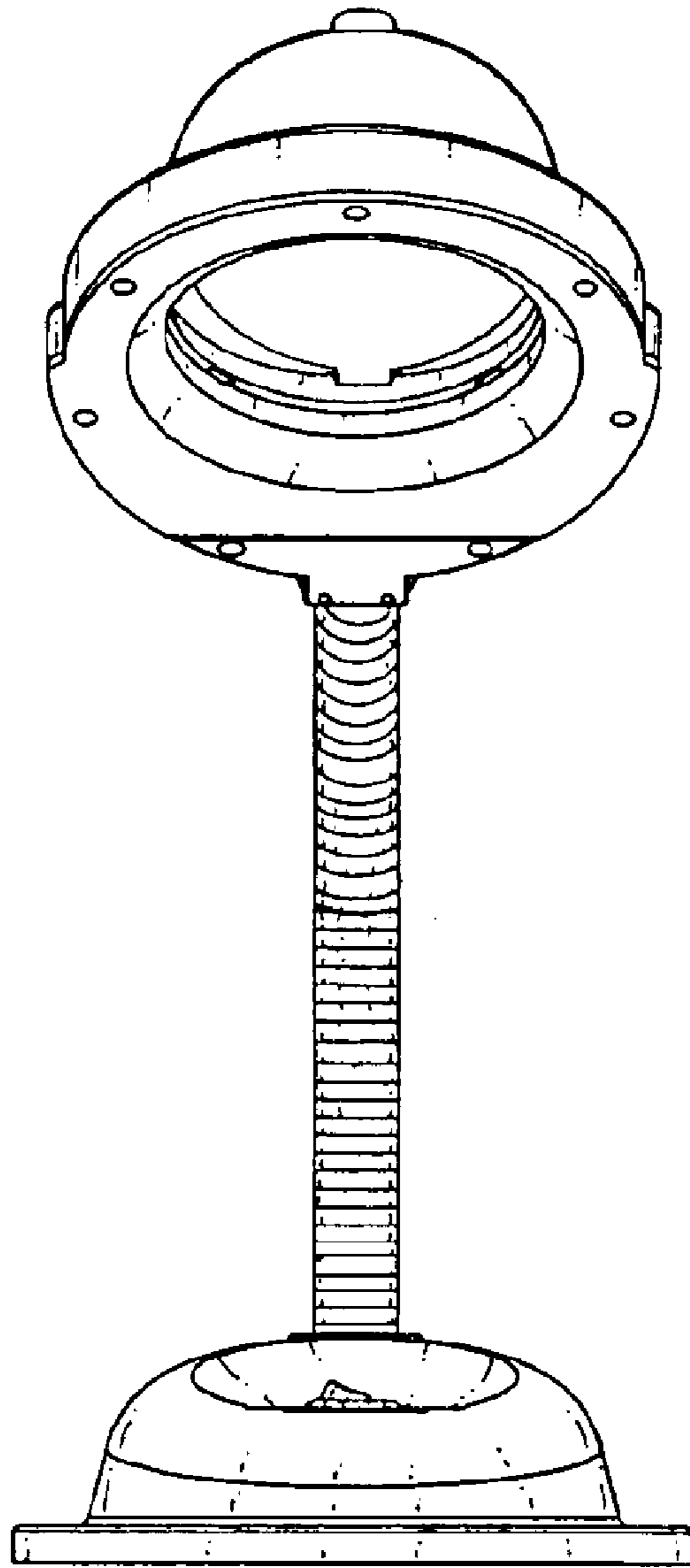


FIG. 2

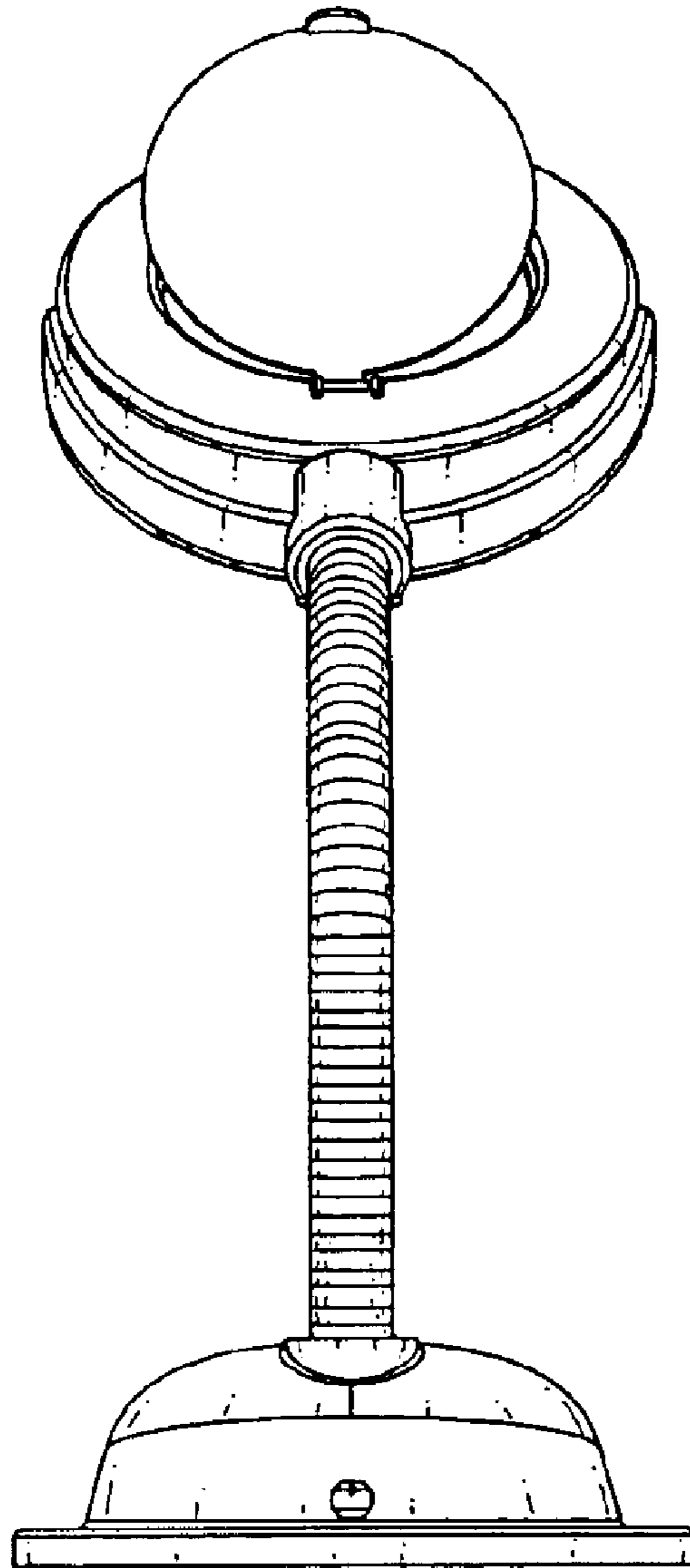


FIG. 3

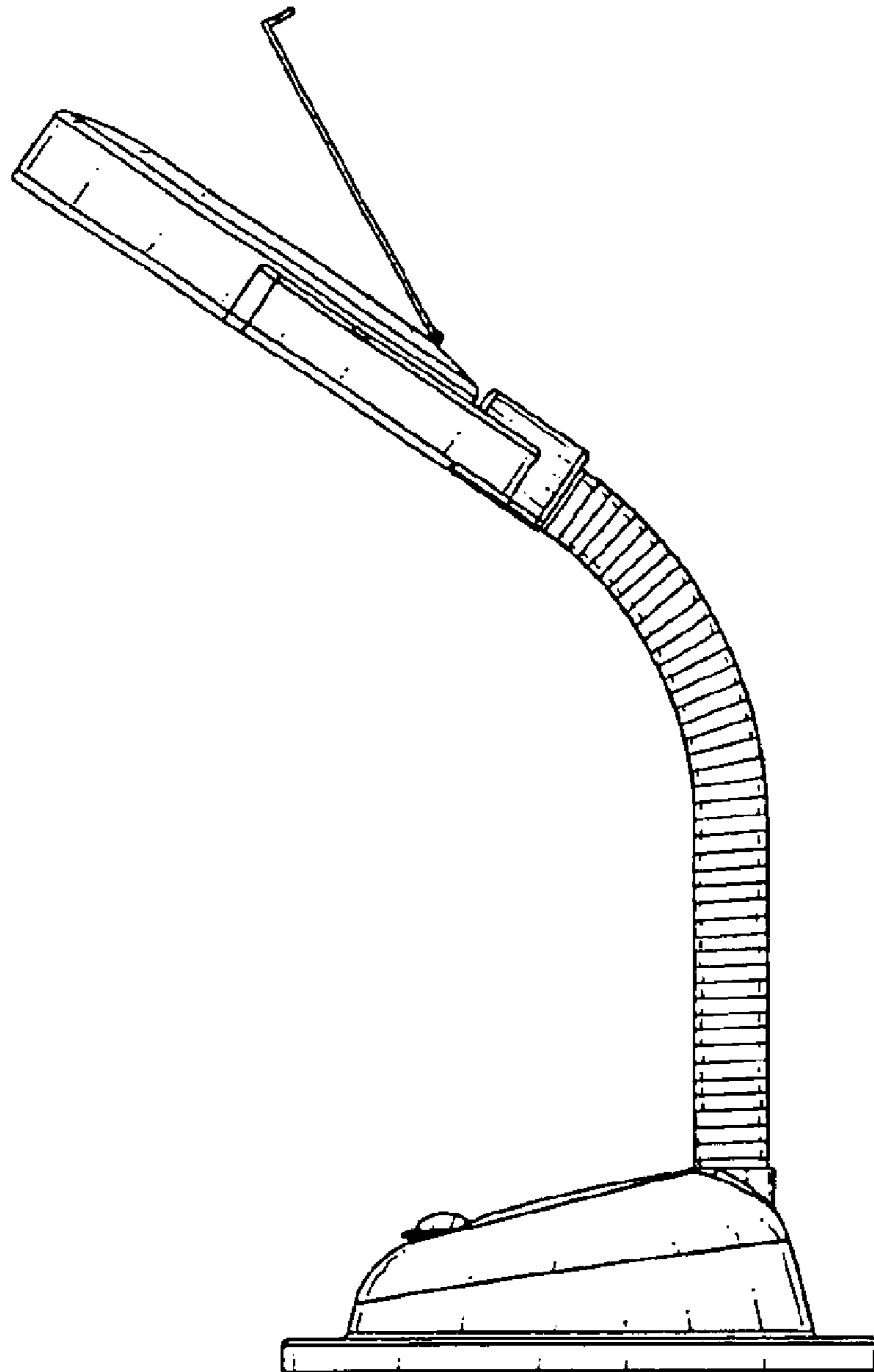


FIG. 4

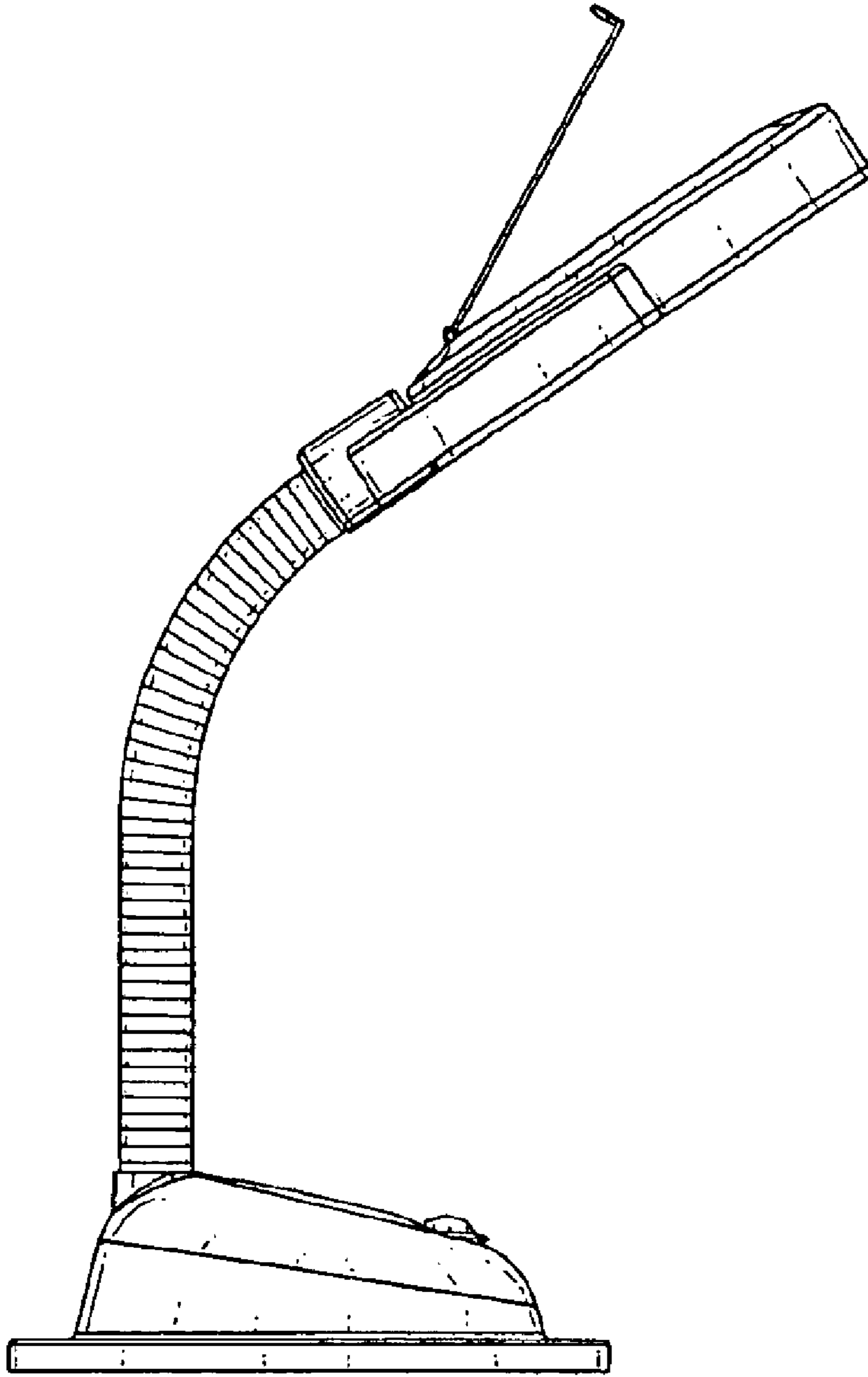


FIG. 5

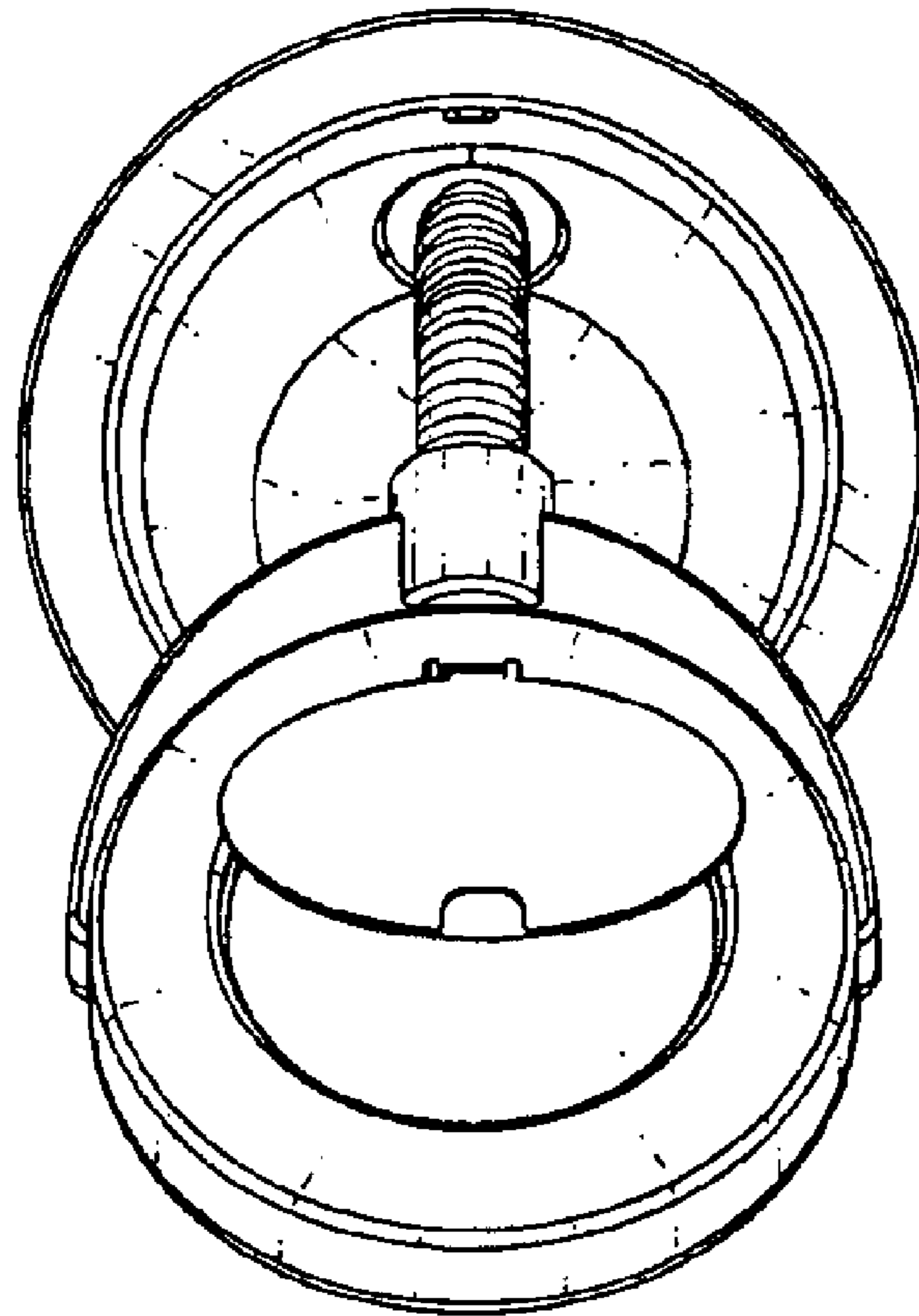


FIG. 6

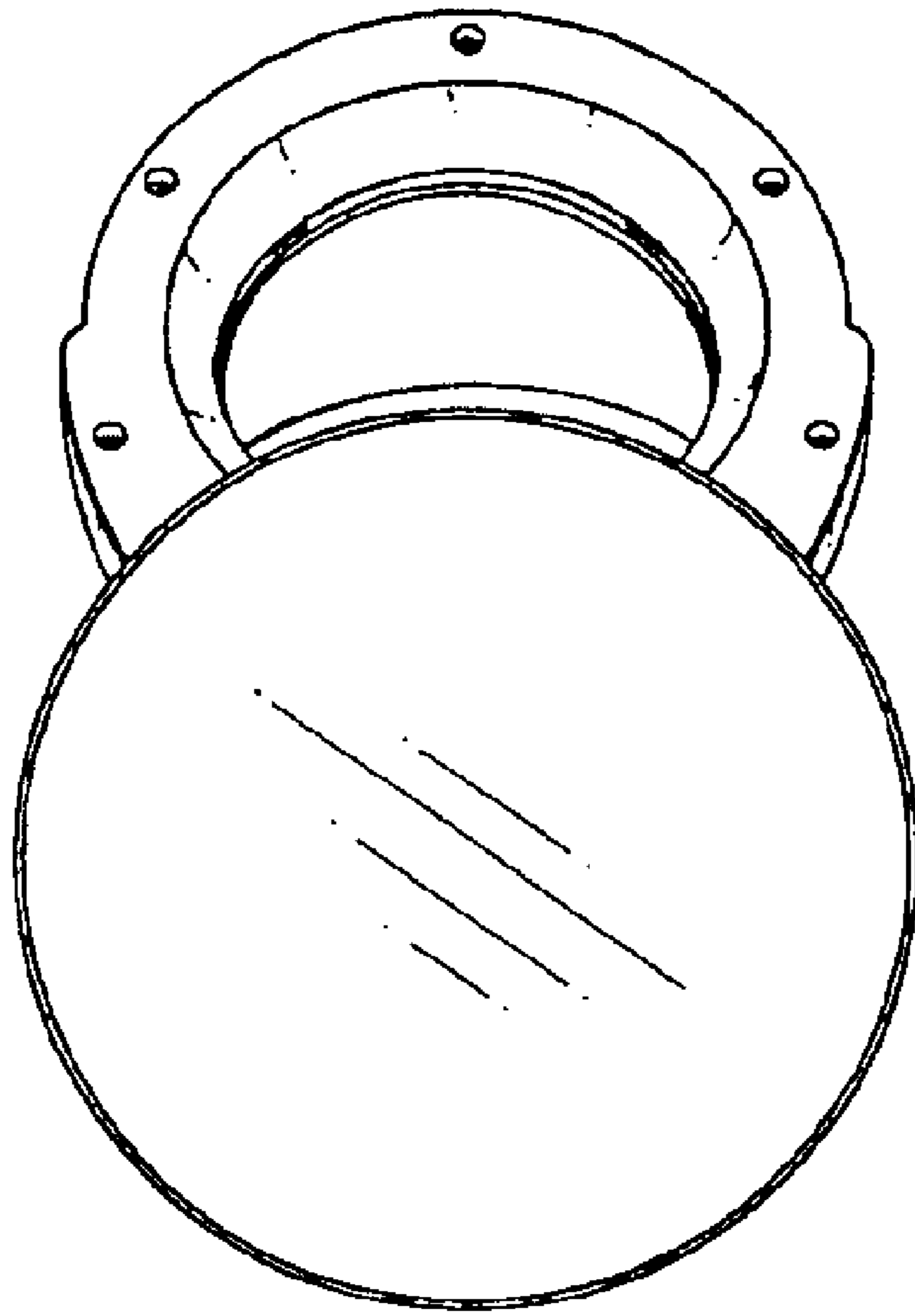


FIG. 7