



US00D507371S

(12) **United States Design Patent**
Heun

(10) **Patent No.:** **US D507,371 S**
(45) **Date of Patent:** **** Jul. 12, 2005**

(54) **FLASHLIGHT**

D479,351 S * 9/2003 Ashfield D26/44

(75) **Inventor:** **Ping Hay Heun, Aberdeen (HK)**

* cited by examiner

(73) **Assignee:** **Choon Nang Electrical Appliance Mfy., Ltd., Aberdeen (HK)**

Primary Examiner—Marcus A. Jackson
(74) *Attorney, Agent, or Firm*—Alix, Yale & Ristas, LLP

(**) **Term:** **14 Years**

(57) **CLAIM**

The ornamental design for a flashlight, as shown and described.

(21) **Appl. No.:** **29/209,093**

(22) **Filed:** **Jul. 9, 2004**

DESCRIPTION

(51) **LOC (8) Cl.** **26-02**

FIG. 1 is a front, right side and top perspective view of a flashlight showing my new design;
FIG. 2 is a rear, right side and top perspective view thereof;
FIG. 3 is a left side elevational view thereof;
FIG. 4 is a front side elevational view thereof;
FIG. 5 is a rear side elevational view thereof;
FIG. 6 is a top plan view thereof; and,
FIG. 7 is a bottom plan view thereof.

(52) **U.S. Cl.** **D26/44**

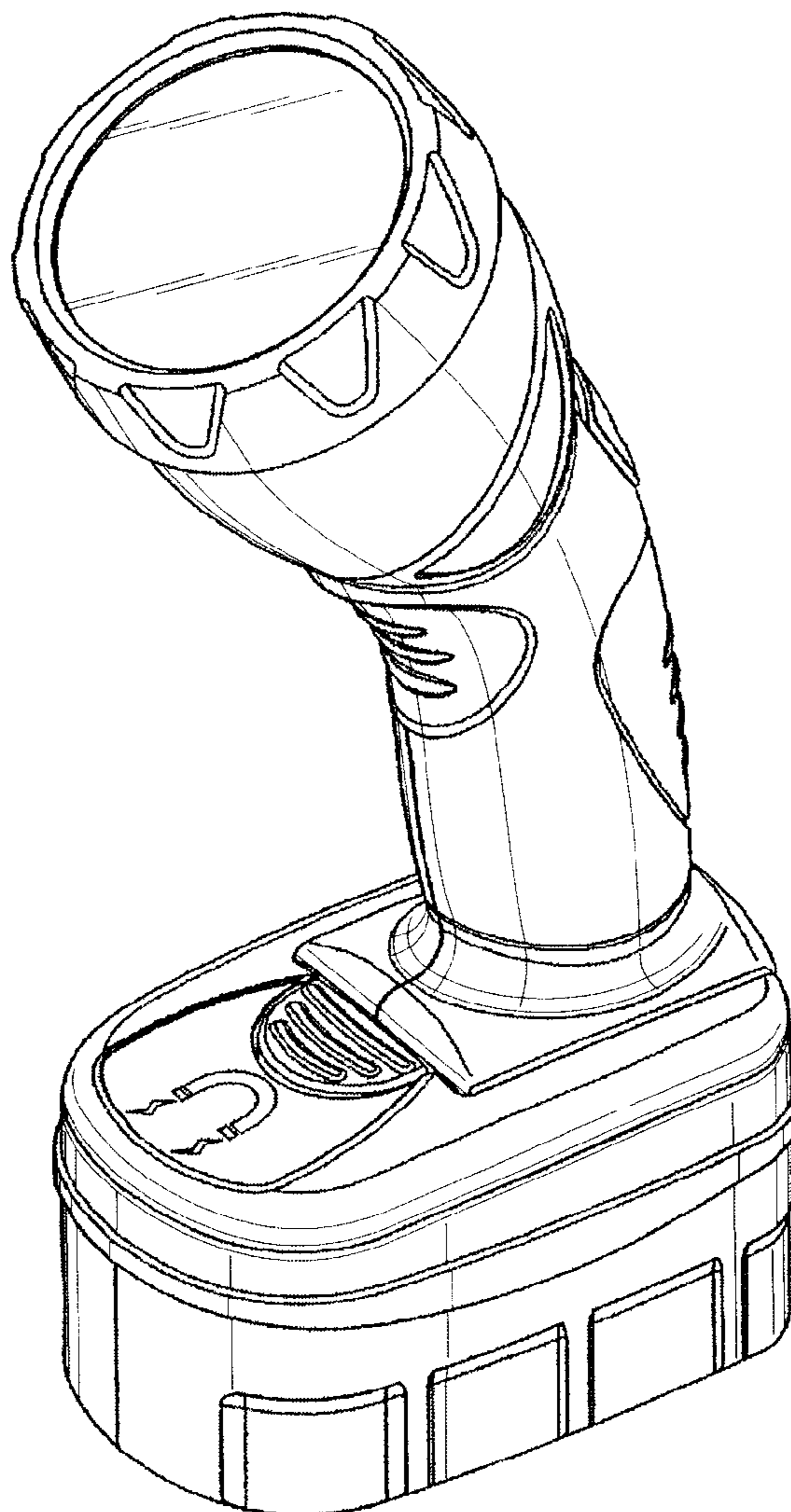
(58) **Field of Search** D26/37-50; 362/157,
362/158, 171-174, 183-208

(56) **References Cited**

U.S. PATENT DOCUMENTS

D375,570 S * 11/1996 Hayakawa et al. D26/44
D422,730 S * 4/2000 Byler et al. D26/44

1 Claim, 5 Drawing Sheets



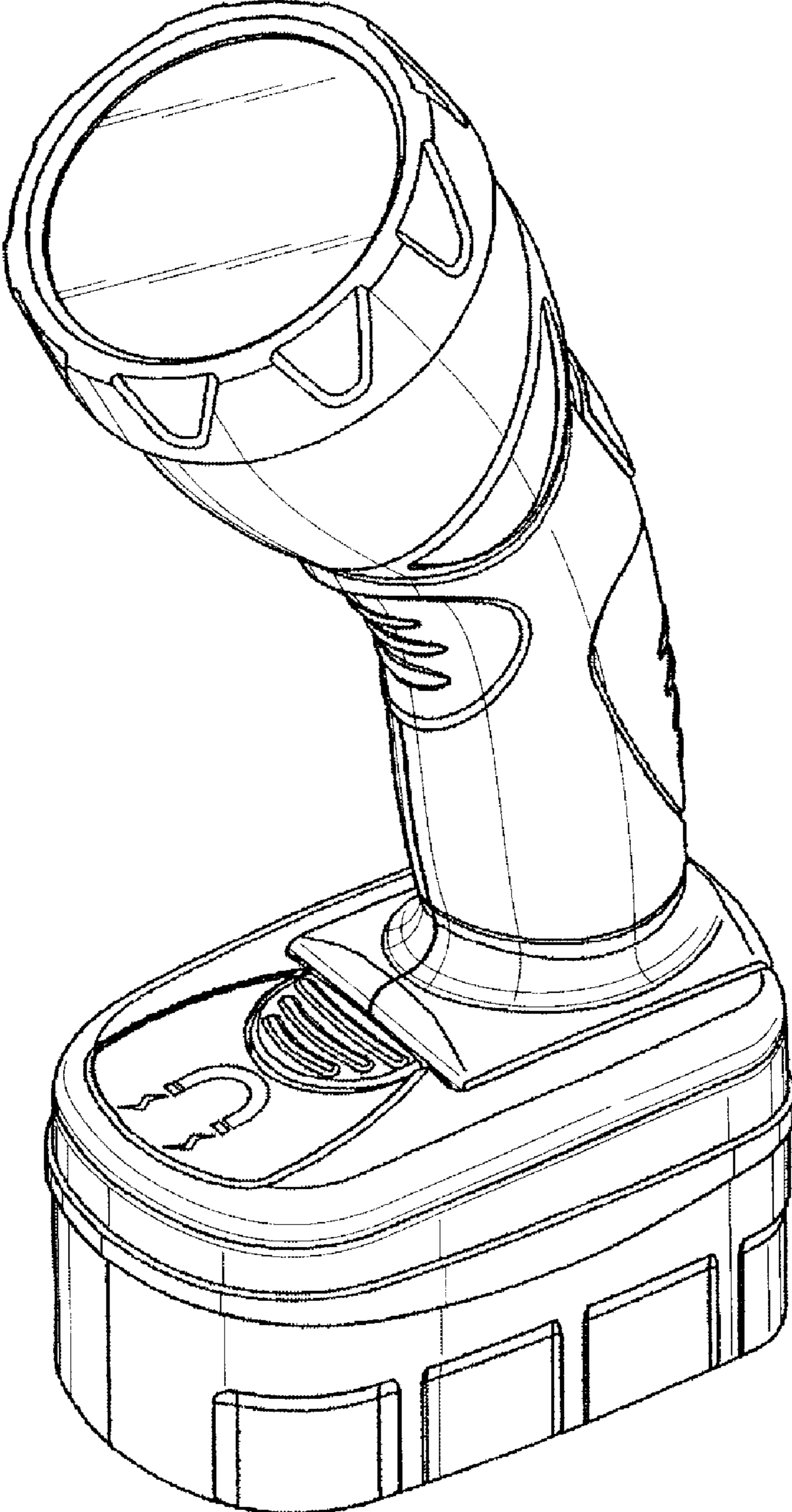


FIG. 1

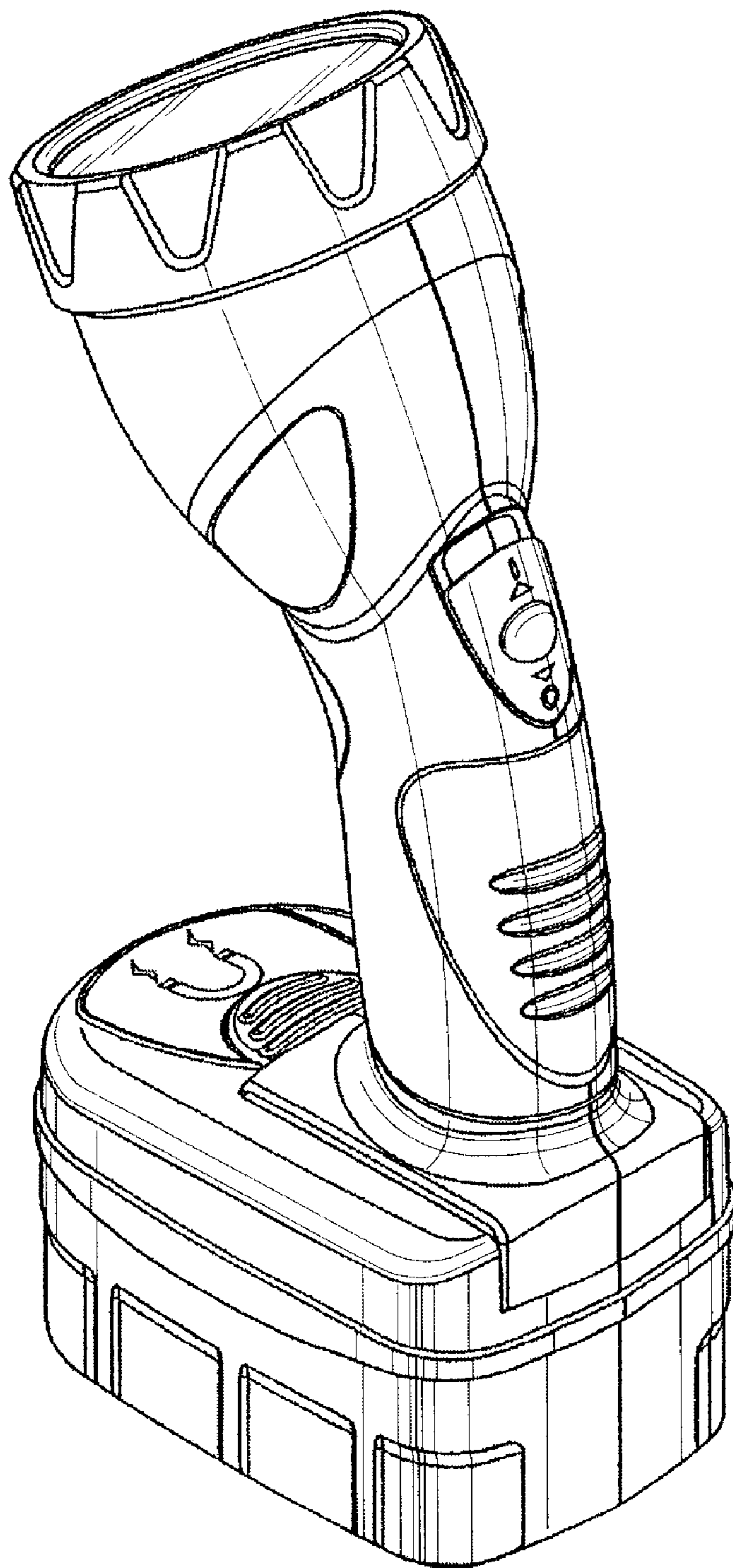


FIG. 2

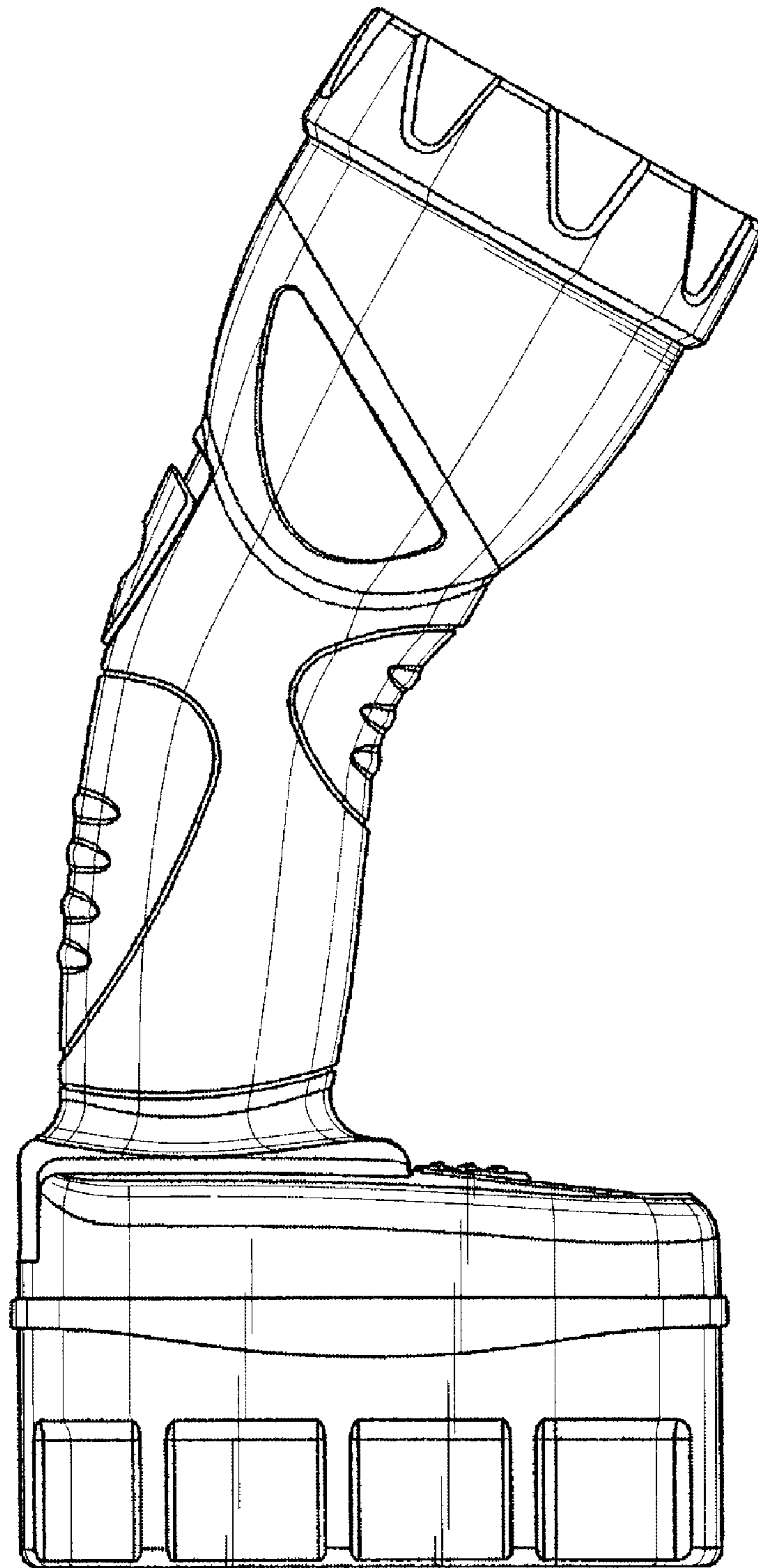


FIG. 3

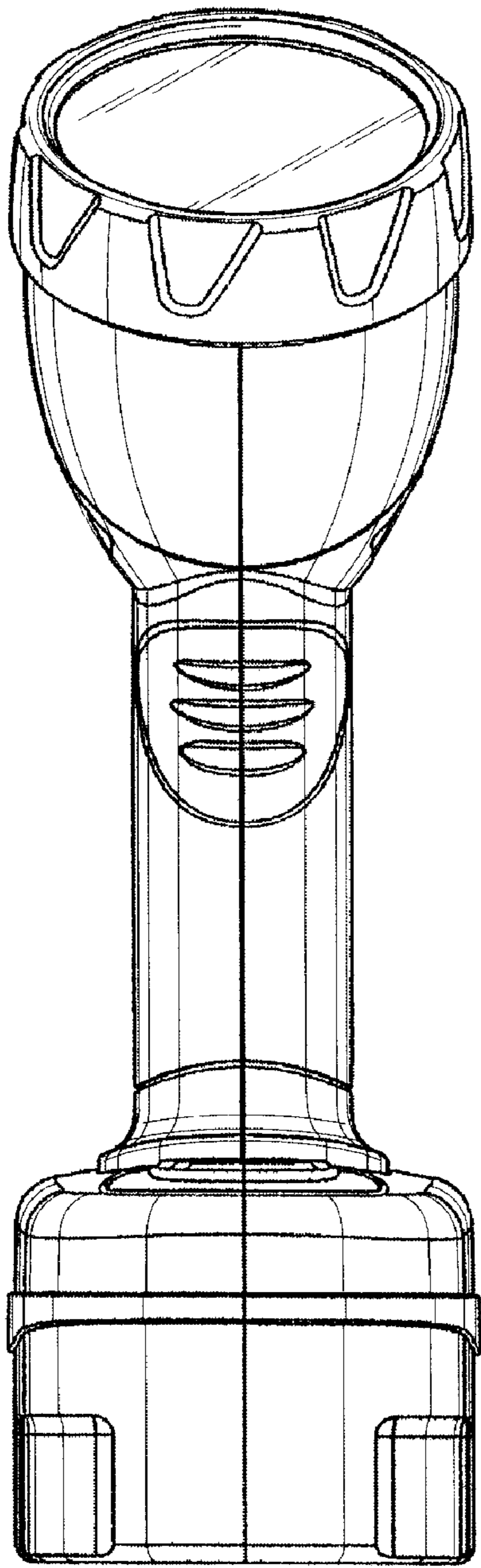


FIG. 4

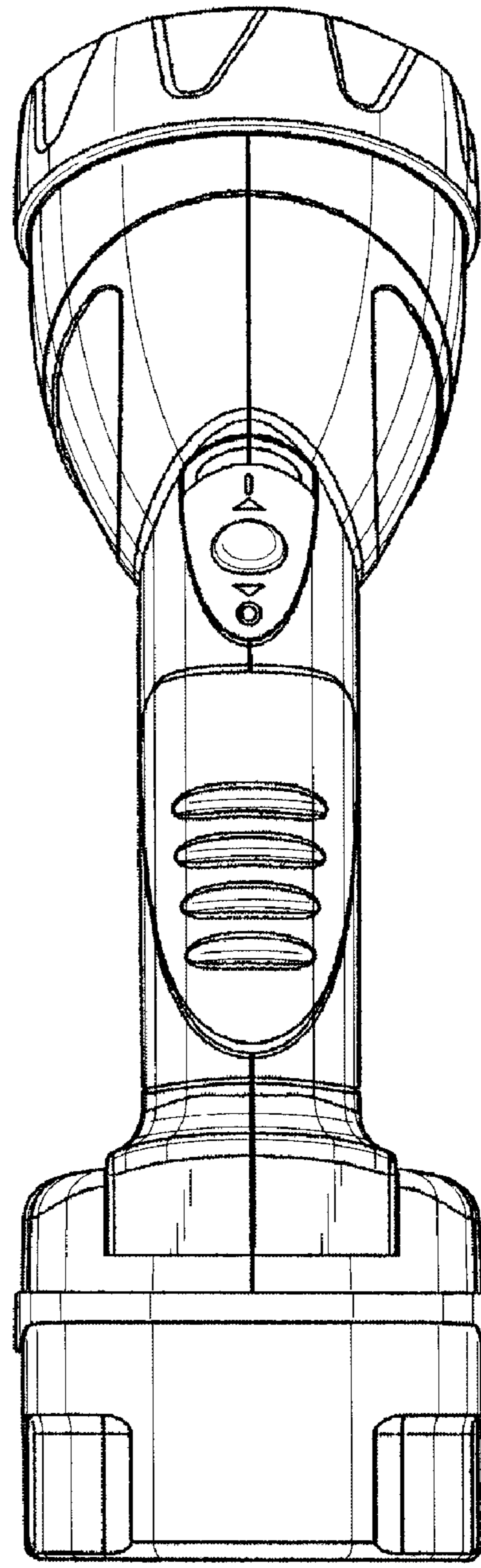


FIG. 5

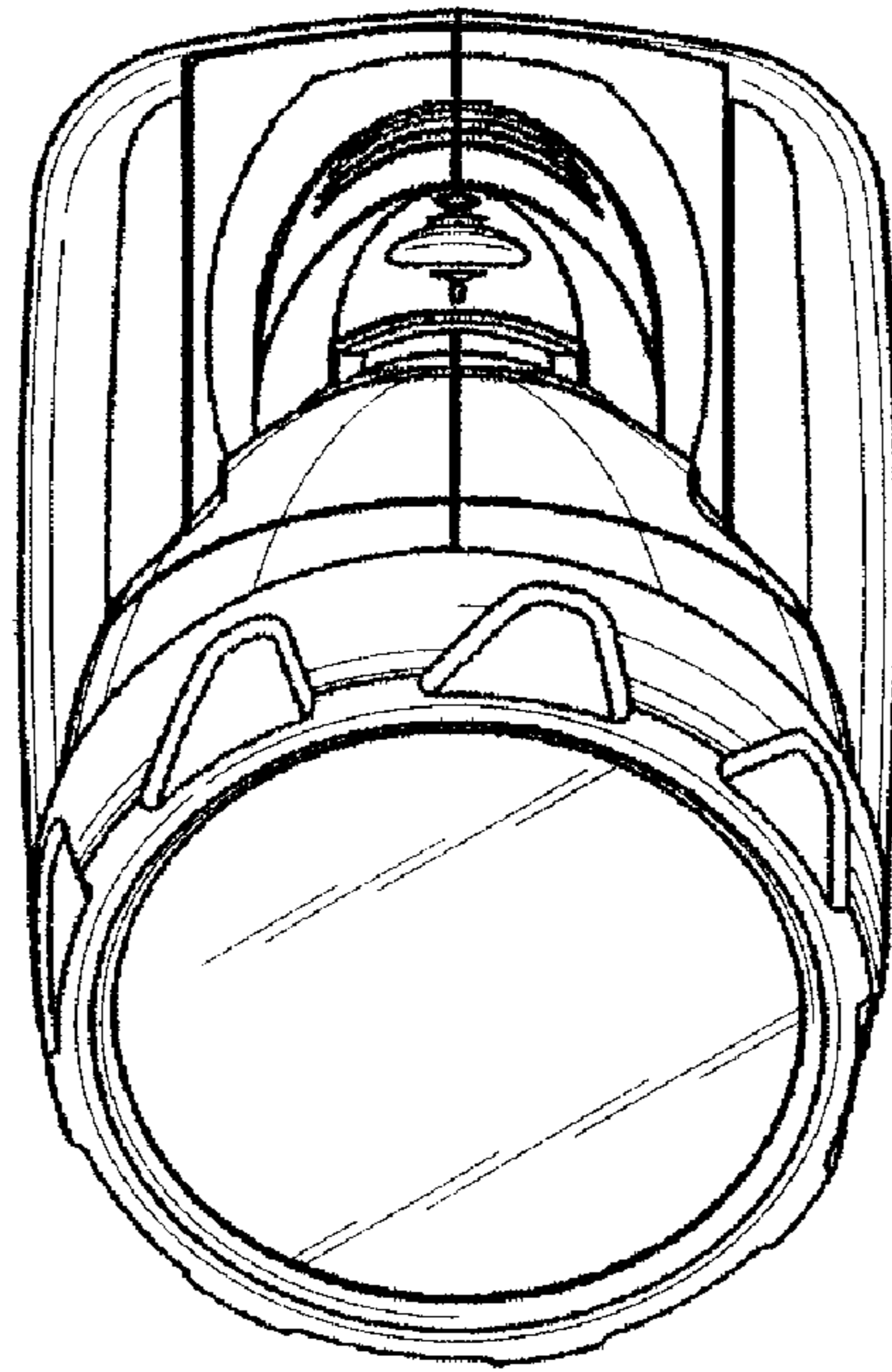


FIG. 6

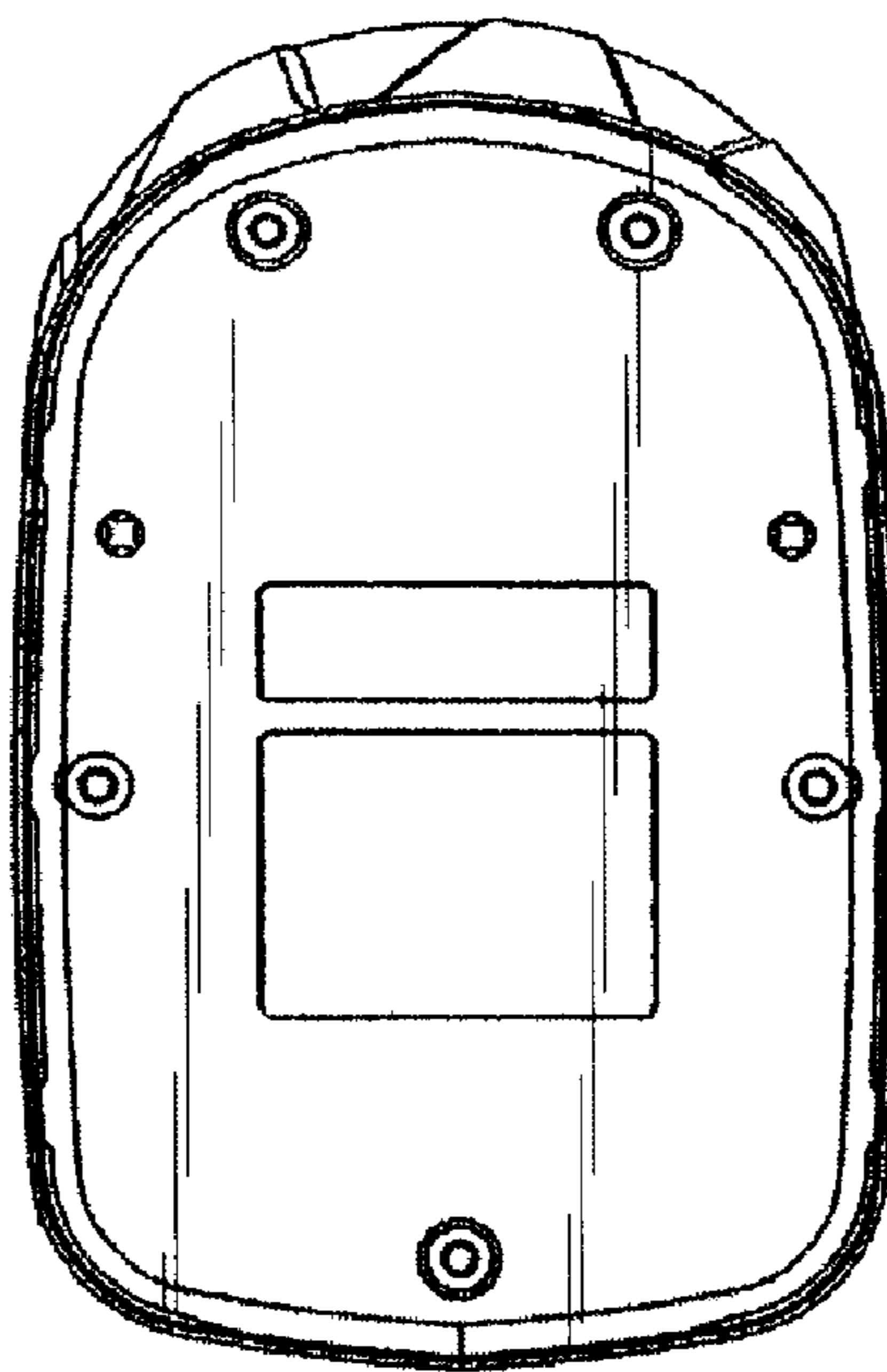


FIG. 7

UNITED STATES PATENT AND TRADEMARK OFFICE
CERTIFICATE OF CORRECTION

PATENT NO. : Des. 507,371 S
APPLICATION NO. : 29/209093
DATED : July 12, 2005
INVENTOR(S) : Heun

Page 1 of 1

It is certified that error appears in the above-identified patent and that said Letters Patent is hereby corrected as shown below:

Title page.

Before item [51] insert:

Item --(30) *Foreign Application Priority Data*

Jun. 10, 2004 (EM)000187455--.

Signed and Sealed this

Nineteenth Day of February, 2008



JON W. DUDAS

Director of the United States Patent and Trademark Office