



US00D507370S

(12) **United States Design Patent**  
**Marshall et al.**

(10) **Patent No.:** **US D507,370 S**  
(45) **Date of Patent:** **\*\* Jul. 12, 2005**

(54) **FLASHLIGHT**

(75) Inventors: **Duane D. Marshall**, Wichita, KS (US);  
**Philip M. Holsinger**, Topeka, KS (US)

(73) Assignee: **The Coleman Company, Inc.**, Wichita,  
KS (US)

(\*\*) Term: **14 Years**

(21) Appl. No.: **29/216,918**

(22) Filed: **Nov. 10, 2004**

(51) **LOC (8) Cl.** ..... **26-02**

(52) **U.S. Cl.** ..... **D26/37**

(58) **Field of Search** ..... D26/37-50; 362/157,  
362/158, 171-174, 183-208

(56) **References Cited**

**U.S. PATENT DOCUMENTS**

D89,969 S	5/1933	Mitchell	
2,492,946 A	1/1950	Barber	
4,229,782 A	10/1980	Ruud et al.	
4,261,030 A	4/1981	Hernandez	
4,386,824 A	6/1983	Draper	
4,570,205 A	2/1986	Shiojiri	
4,833,578 A	5/1989	Schaller et al.	
4,953,063 A	8/1990	Nino	
4,964,025 A	10/1990	Smith	
4,992,911 A	2/1991	Ressia	
D339,647 S	9/1993	Kawashima et al.	
5,271,077 A	12/1993	Brockman et al.	
5,289,356 A	2/1994	Winston	
5,335,152 A	8/1994	Winston	
5,424,927 A	6/1995	Schaller et al.	
5,816,693 A	10/1998	Winston et al.	
6,048,084 A	4/2000	Sedovic et al.	
D480,824 S	10/2003	Englert et al.	
D480,825 S	10/2003	Englert et al.	
D480,826 S	10/2003	Englert et al.	
D494,691 S	* 8/2004	Lee	D26/37

D494,694 S \* 8/2004 Krieger et al. .... D26/37  
6,769,787 B2 8/2004 Ferguson et al.  
D501,267 S \* 1/2005 Kung ..... D26/37

**OTHER PUBLICATIONS**

VistaLite™, "Headlights and Combos: Road Toad", 2pgs  
(2003) printed at [http://www.vistalite.com/vistalite\\_03/03\\_headlights.html](http://www.vistalite.com/vistalite_03/03_headlights.html) on Mar. 10, 2004.

\* cited by examiner

*Primary Examiner*—Marcus A. Jackson

(74) *Attorney, Agent, or Firm*—Leydig, Voit & Mayer Ltd

(57) **CLAIM**

The ornamental design for a flashlight, as shown and described.

**DESCRIPTION**

FIG. 1 is a top, right front perspective view of a first embodiment of a flashlight in accordance of the present invention;

FIG. 2 is a front view thereof;

FIG. 3 is a rear view thereof;

FIG. 4 is a left side view thereof;

FIG. 5 is a right side view thereof;

FIG. 6 is a top view thereof;

FIG. 7 is a bottom view thereof;

FIG. 8 is a top, right front perspective view of a second embodiment of a flashlight of the present invention;

FIG. 9 is a front view thereof;

FIG. 10 is a rear view thereof;

FIG. 11 is a left side view thereof;

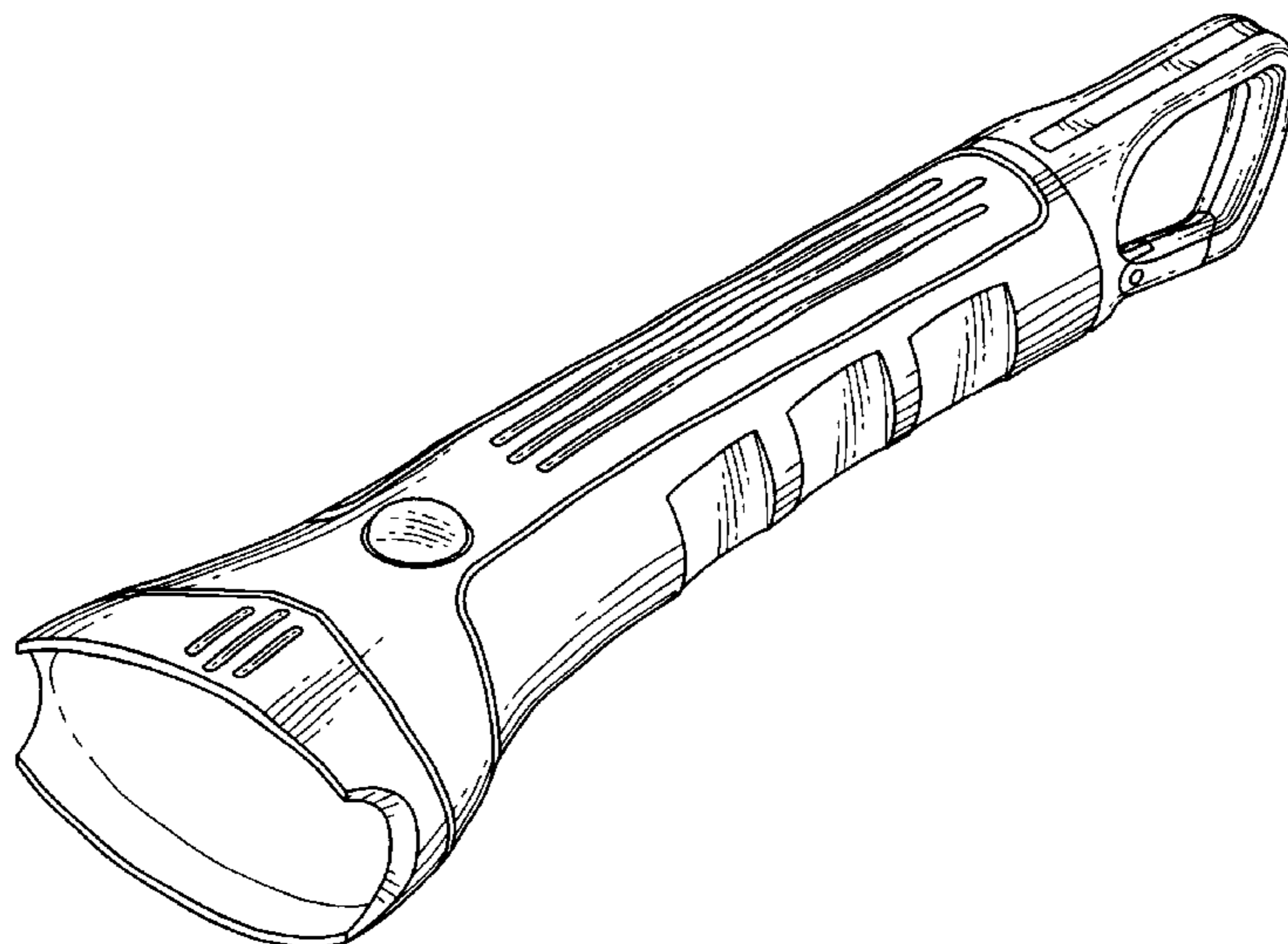
FIG. 12 is a right side view thereof;

FIG. 13 is a top view thereof; and,

FIG. 14 is a bottom view thereof.

The broken line showing is for illustrative purposes only and forms no part of the claimed design.

**1 Claim, 6 Drawing Sheets**



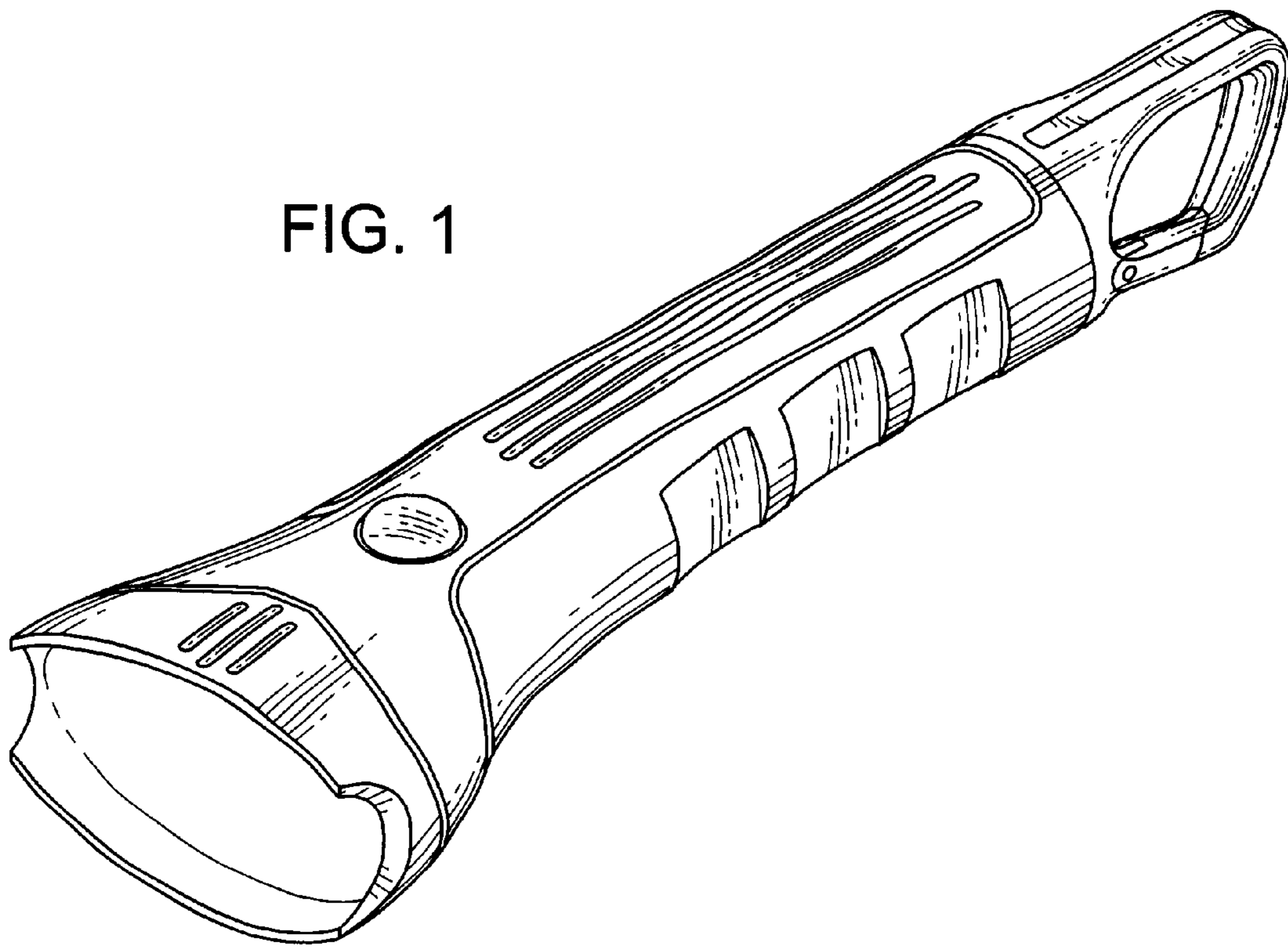


FIG. 1

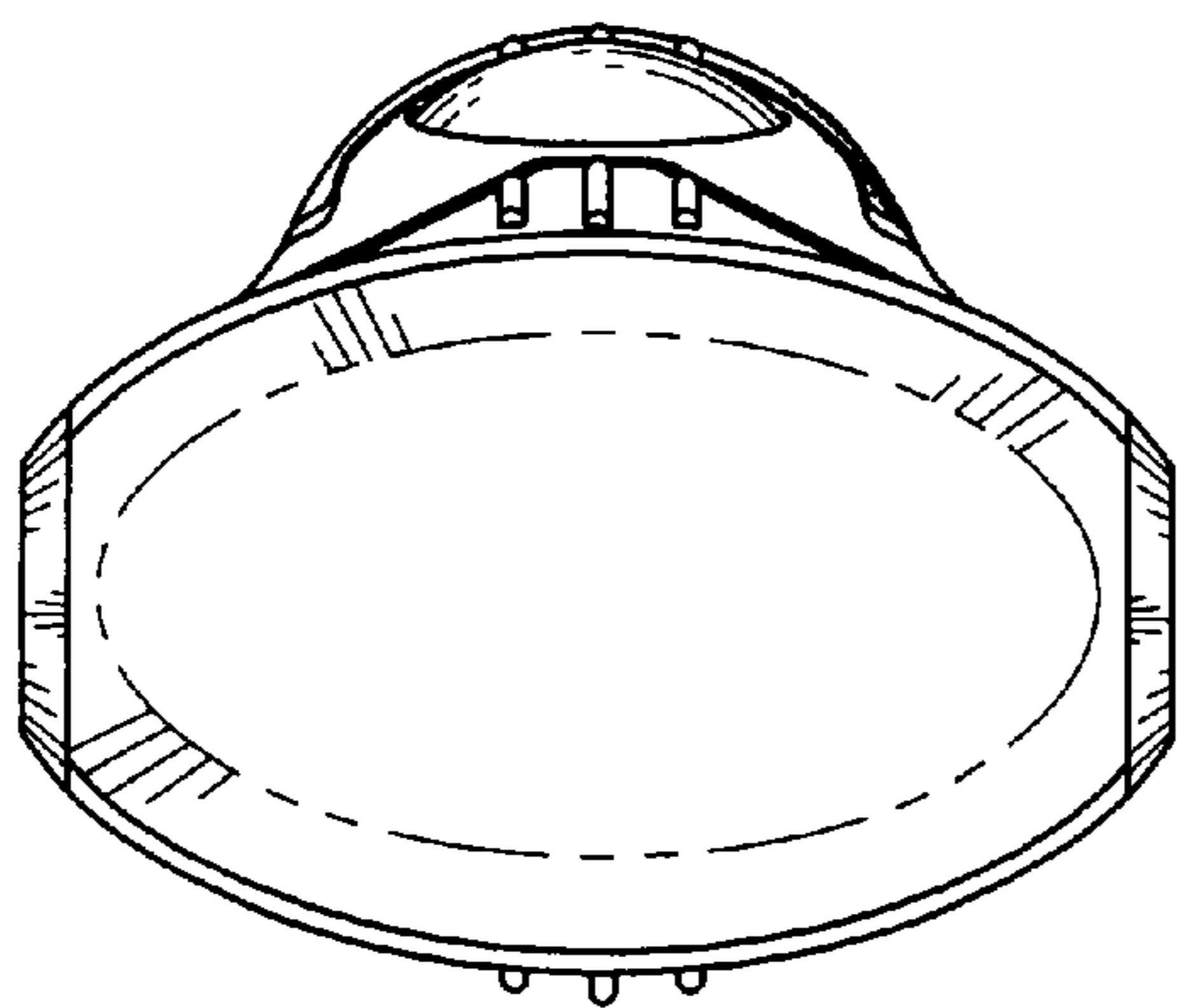


FIG. 2

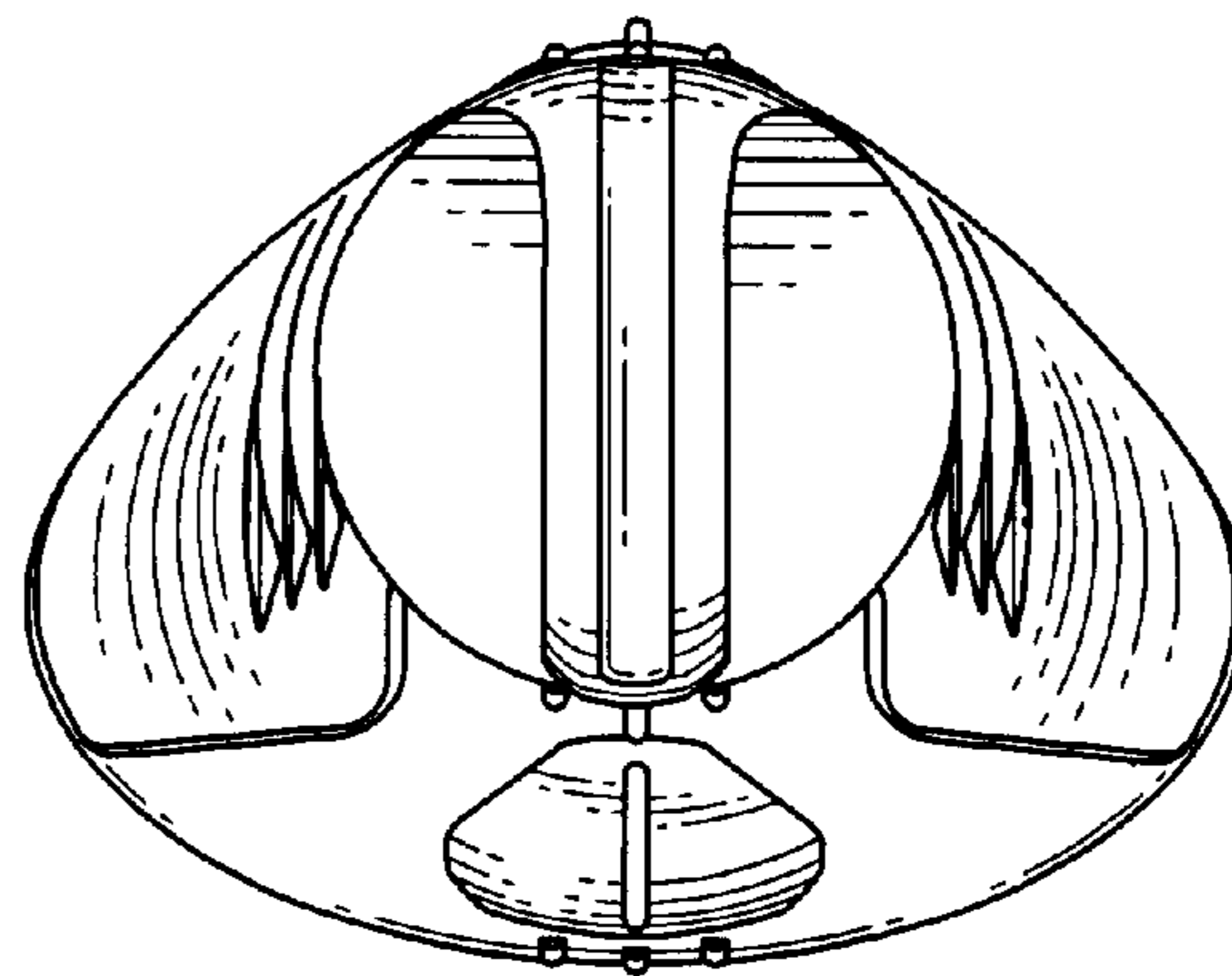


FIG. 3

FIG. 4

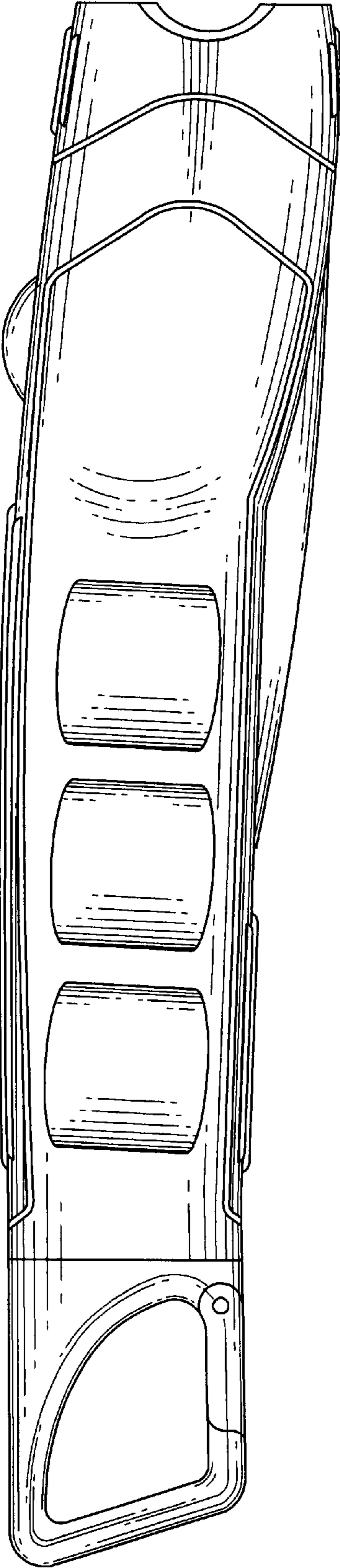
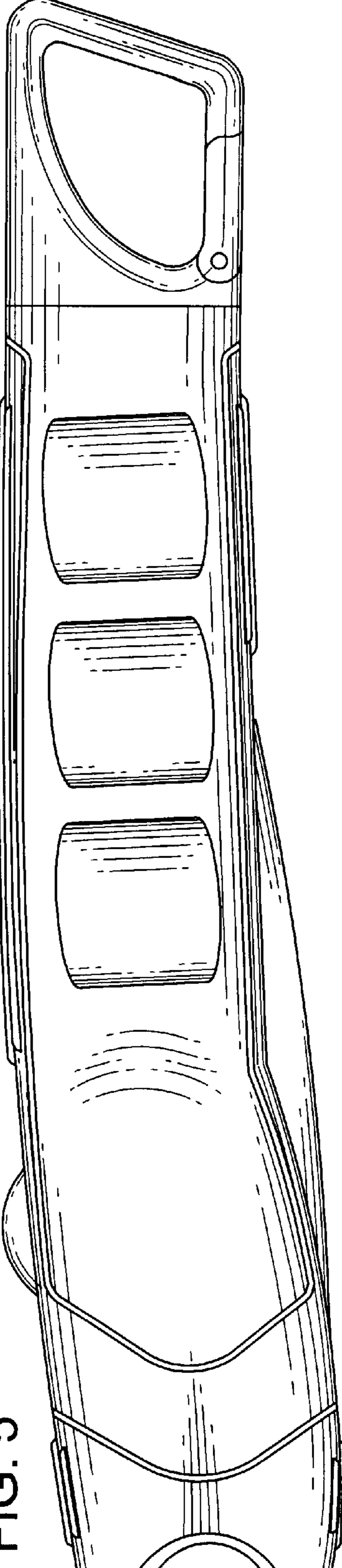


FIG. 5



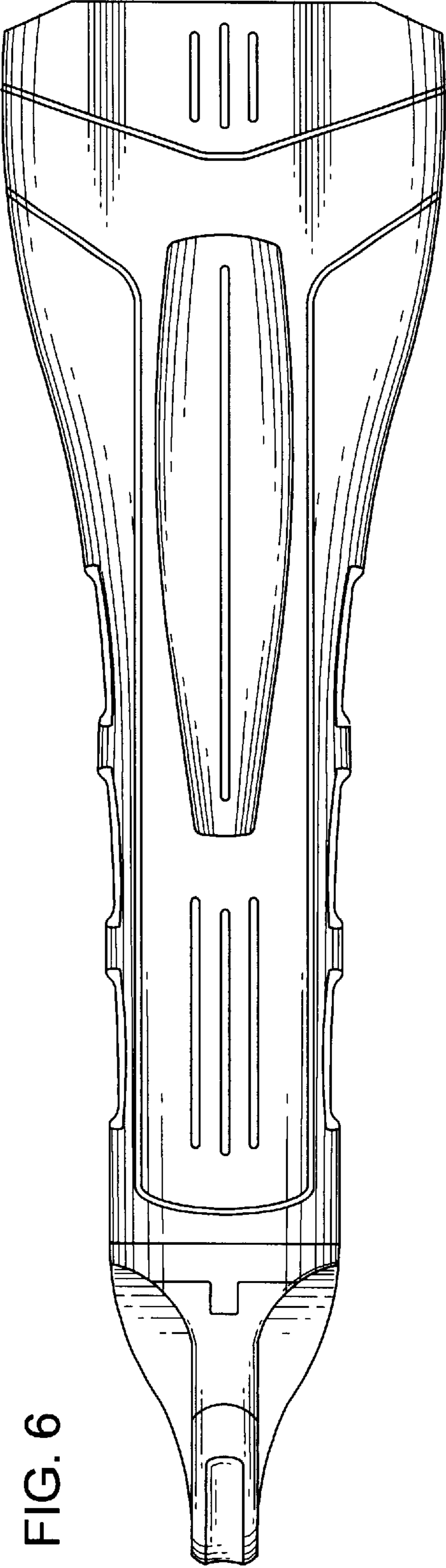


FIG. 6

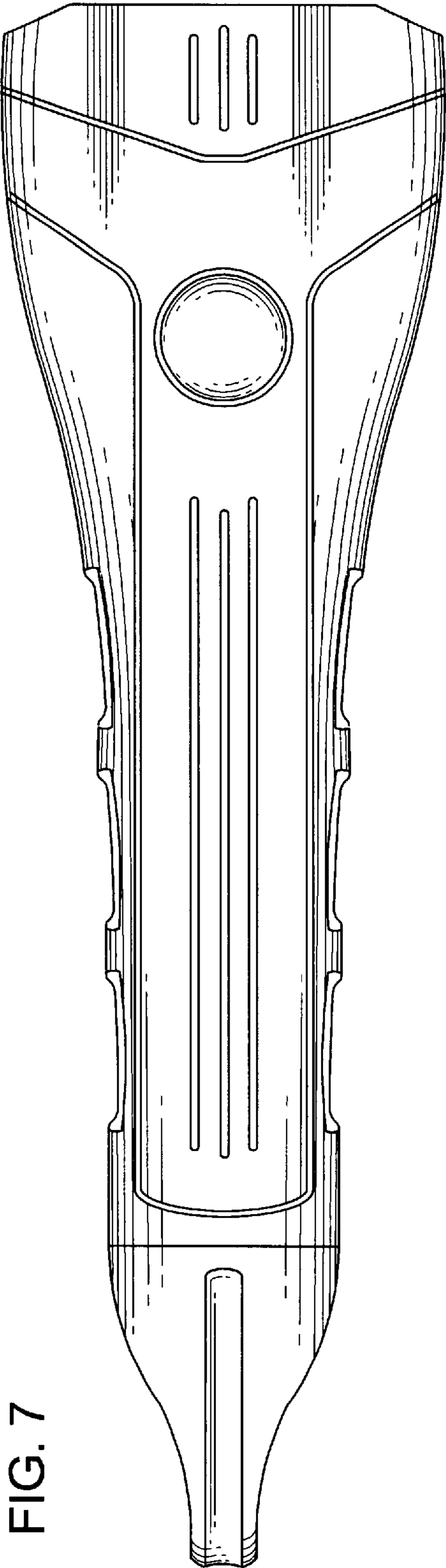


FIG. 7

FIG. 8

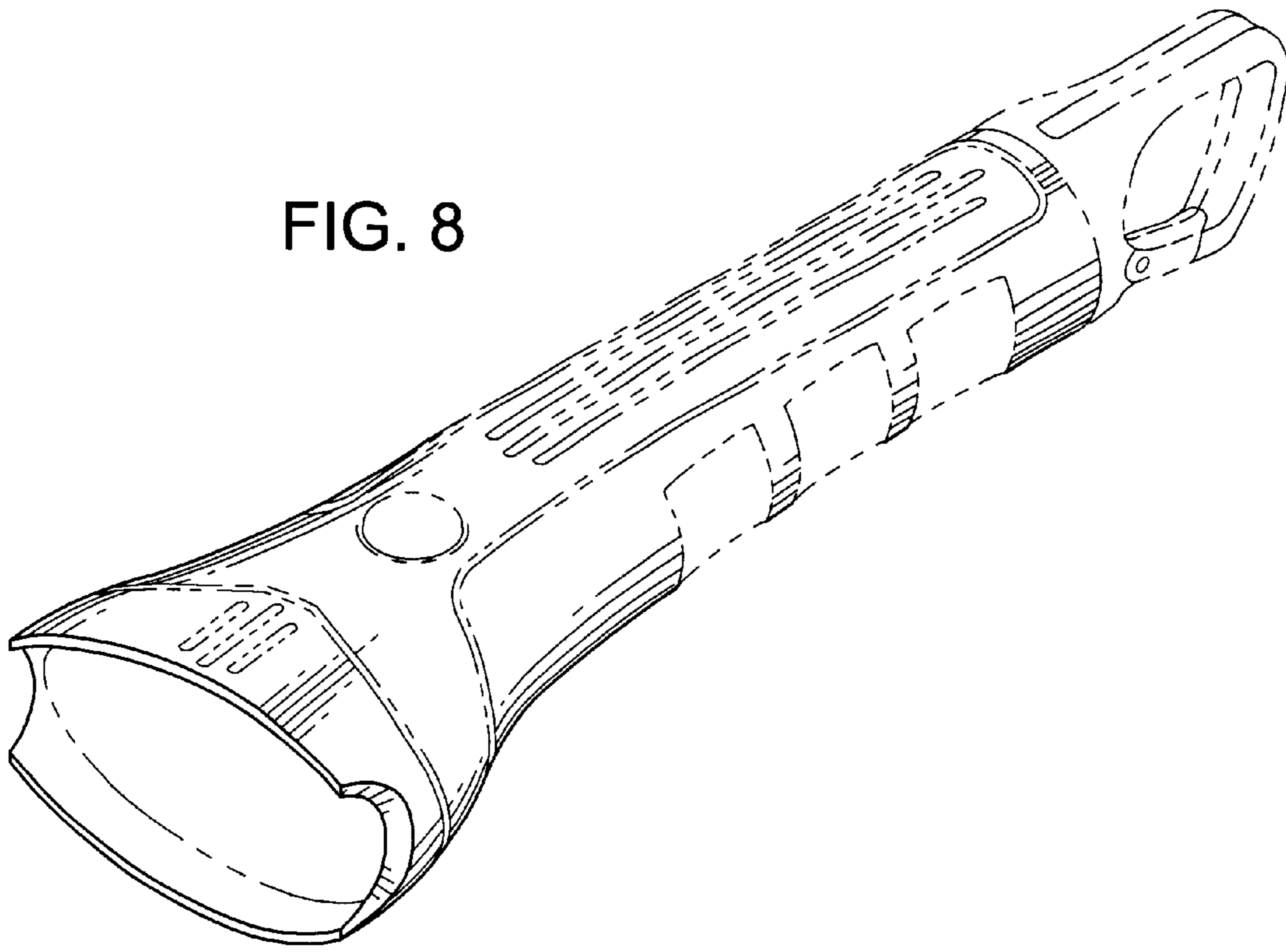


FIG. 9

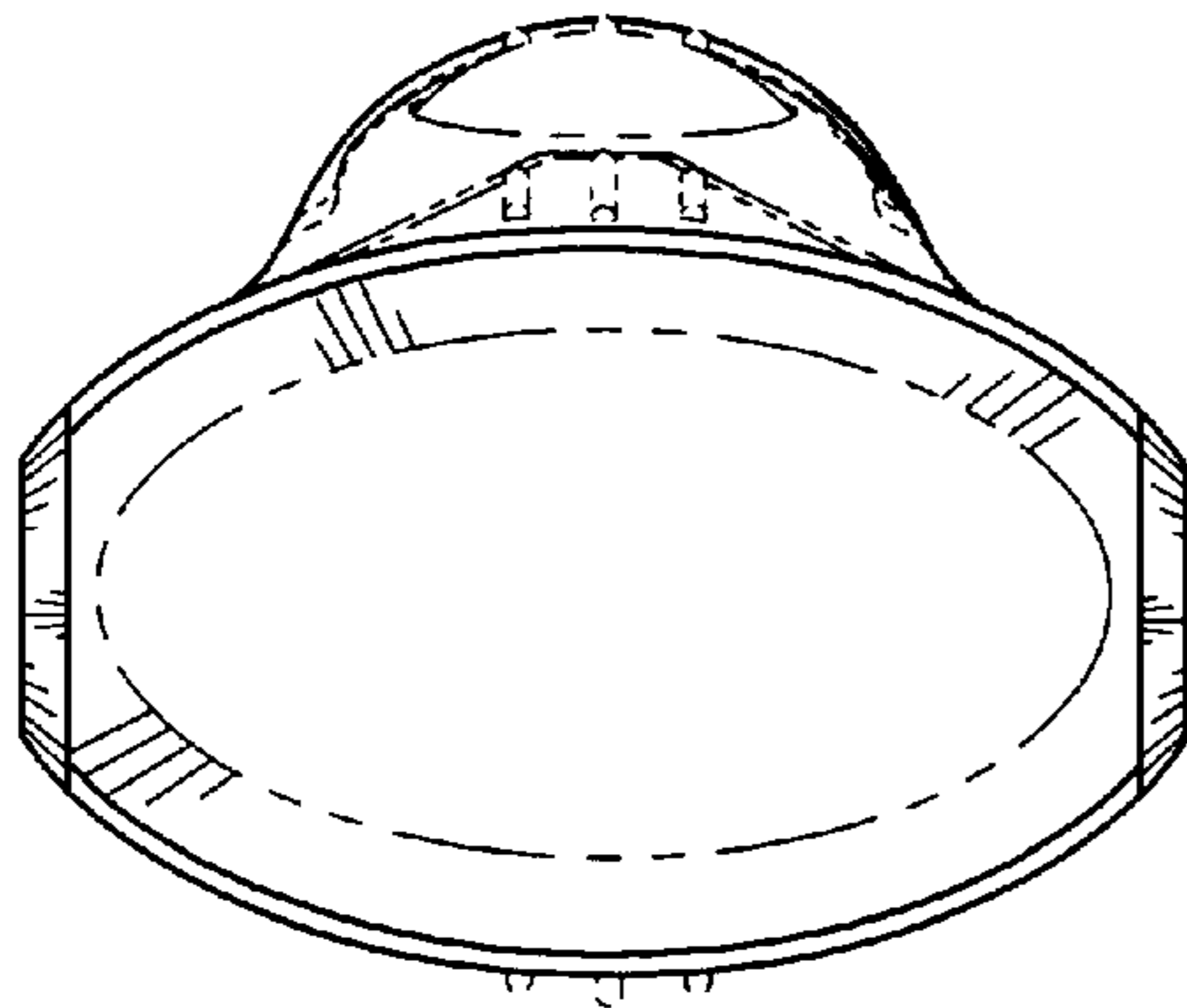


FIG. 10

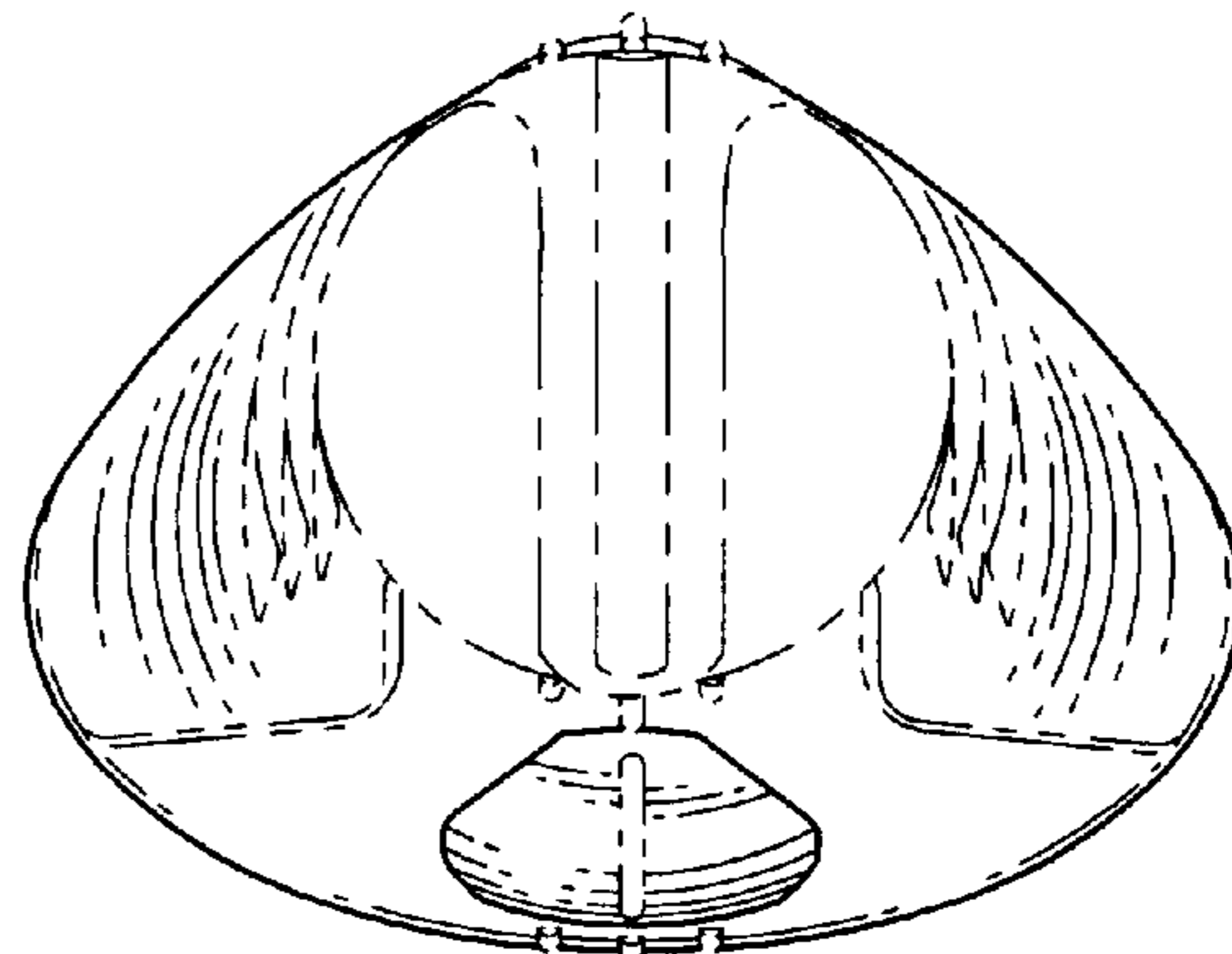


FIG. 11

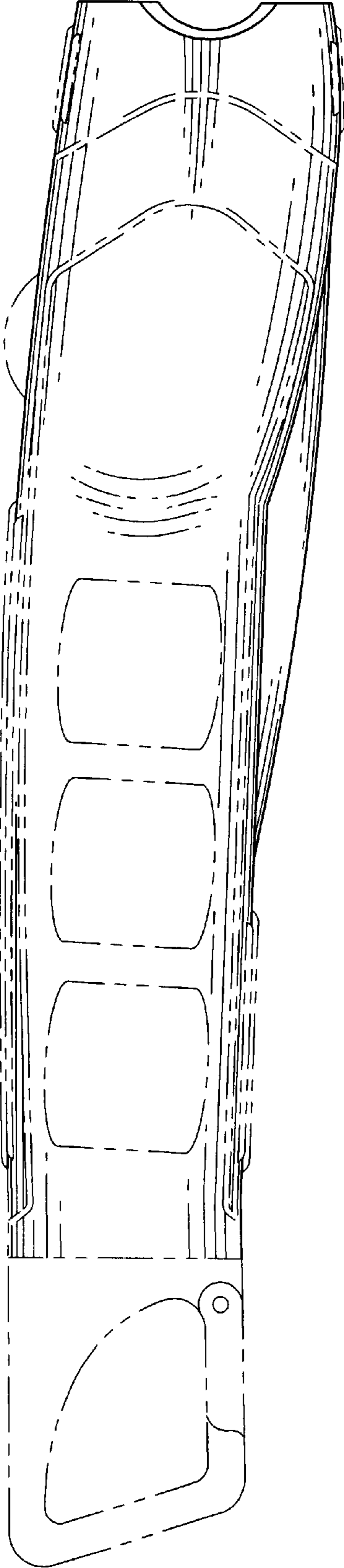
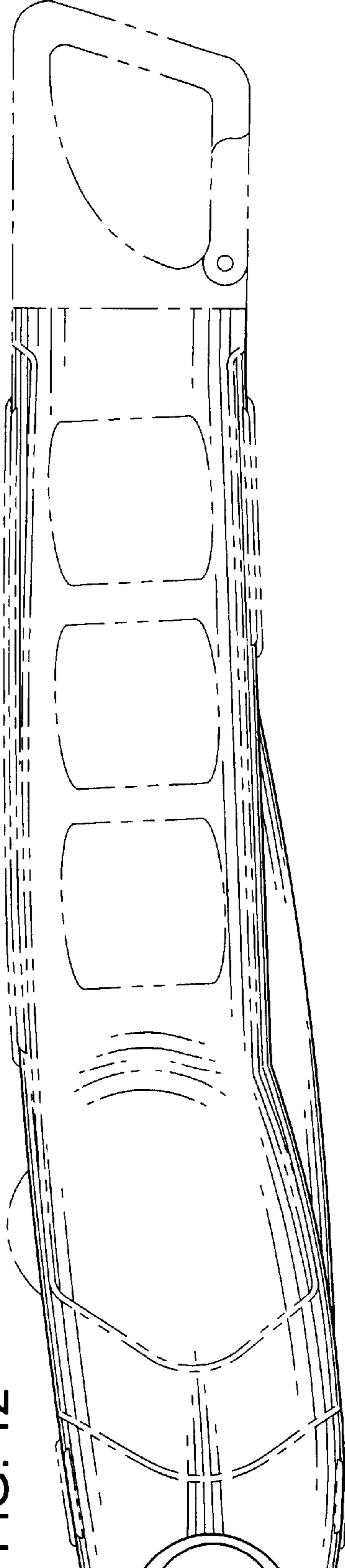


FIG. 12



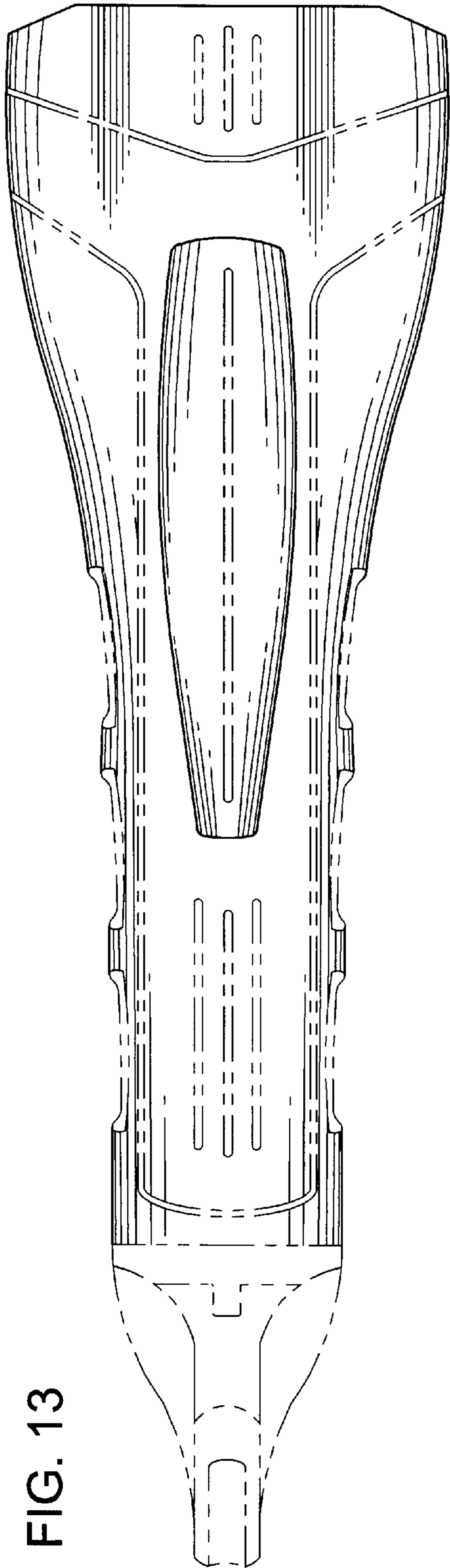


FIG. 13

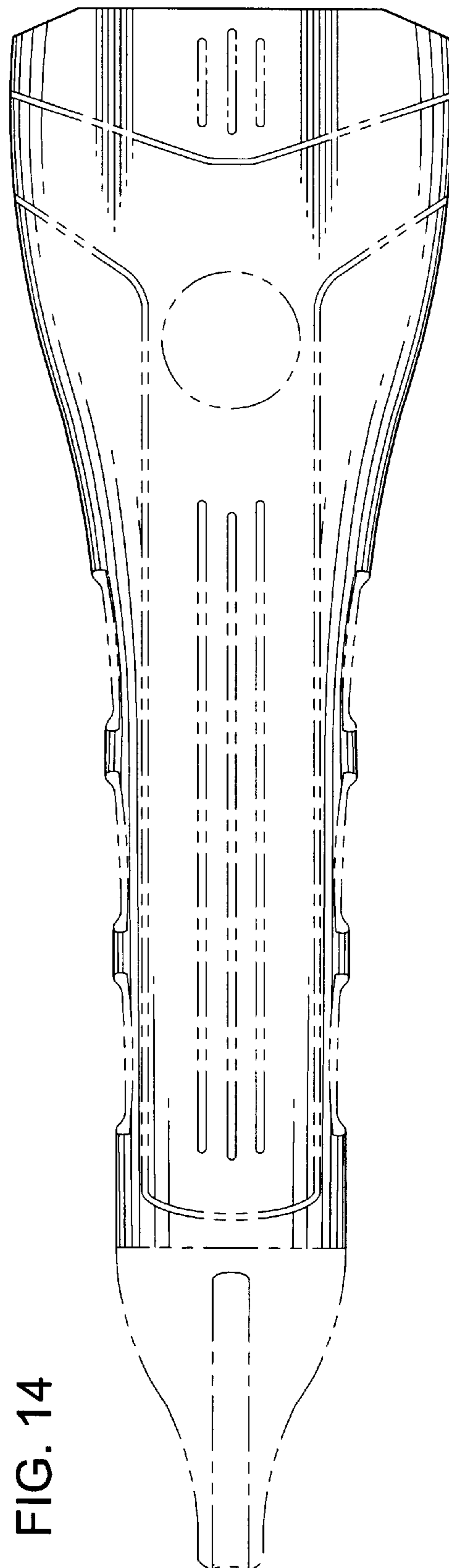


FIG. 14