



US00D507369S

(12) **United States Design Patent**
Waters

(10) **Patent No.:** **US D507,369 S**
(45) **Date of Patent:** **** Jul. 12, 2005**

(54) **LIGHT MODULE**

DESCRIPTION

(76) **Inventor:** **Michael Waters**, 372 Bateman Cir.
North, Barrington Hills, IL (US) 60010

FIG. 1 is a perspective view of a light module according to my new design;

(**) **Term:** **14 Years**

FIG. 2 is a left side elevational view of the light module of FIG. 1;

(21) **Appl. No.:** **29/216,913**

FIG. 3 is a top plan view of the light module of FIG. 1;

(22) **Filed:** **Nov. 10, 2004**

FIG. 4 is a bottom plan view of the light module of FIG. 1;

(51) **LOC (8) Cl.** **26-02**

FIG. 5 is a front elevational view of the light module of FIG. 1;

(52) **U.S. Cl.** **D26/37**

FIG. 6 is a rear elevational view of the light module of FIG. 1;

(58) **Field of Search** D26/37-50; 362/157,
362/158, 171-174, 183-208

FIG. 7 is a right side elevational view of the light module of FIG. 1;

(56) **References Cited**

FIG. 8 is a perspective view of another light module according to my new design;

U.S. PATENT DOCUMENTS

D375,372 S	*	11/1996	Allen	D26/37
D446,324 S	*	8/2001	Lynch et al.	D26/37
D457,670 S	*	5/2002	Allen	D26/37
D477,432 S	*	7/2003	Parsons	D26/37
D501,266 S	*	1/2005	Harris et al.	D26/37

FIG. 9 is a left side elevational view of the light module of FIG. 8;

* cited by examiner

FIG. 10 is a top plan view of the light module of FIG. 8;

Primary Examiner—Marcus A. Jackson

(74) *Attorney, Agent, or Firm*—Fitch, Even, Tabin & Flannery

FIG. 11 is a bottom plan view of the light module of FIG. 8;

FIG. 12 is a front elevational view of the light module of FIG. 8;

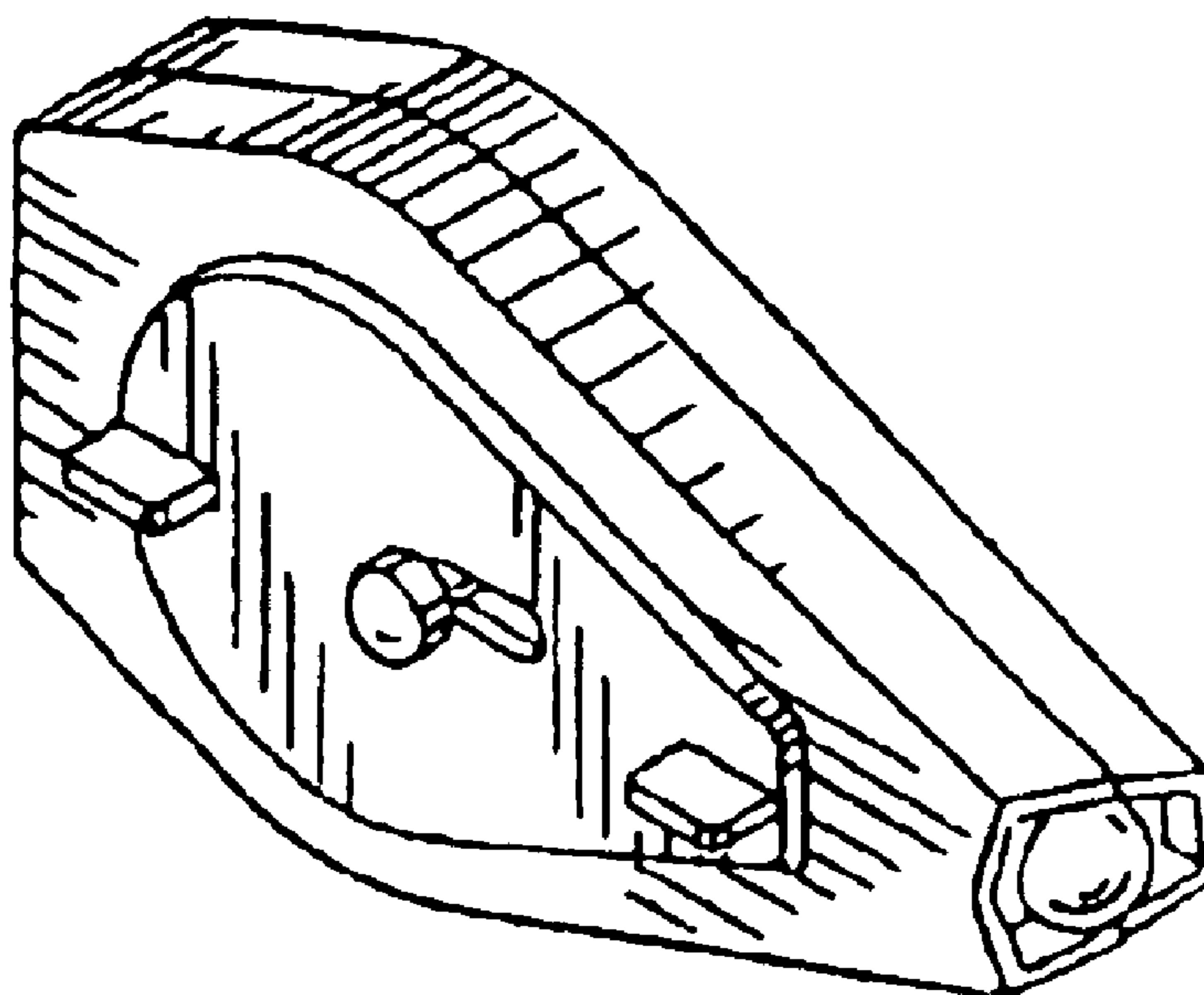
(57) **CLAIM**

I claim the ornamental design for a light module, as shown and described.

FIG. 13 is a rear elevational view of the light module of FIG. 8; and,

FIG. 14 is a right side elevational view of the light module of FIG. 8.

1 Claim, 4 Drawing Sheets



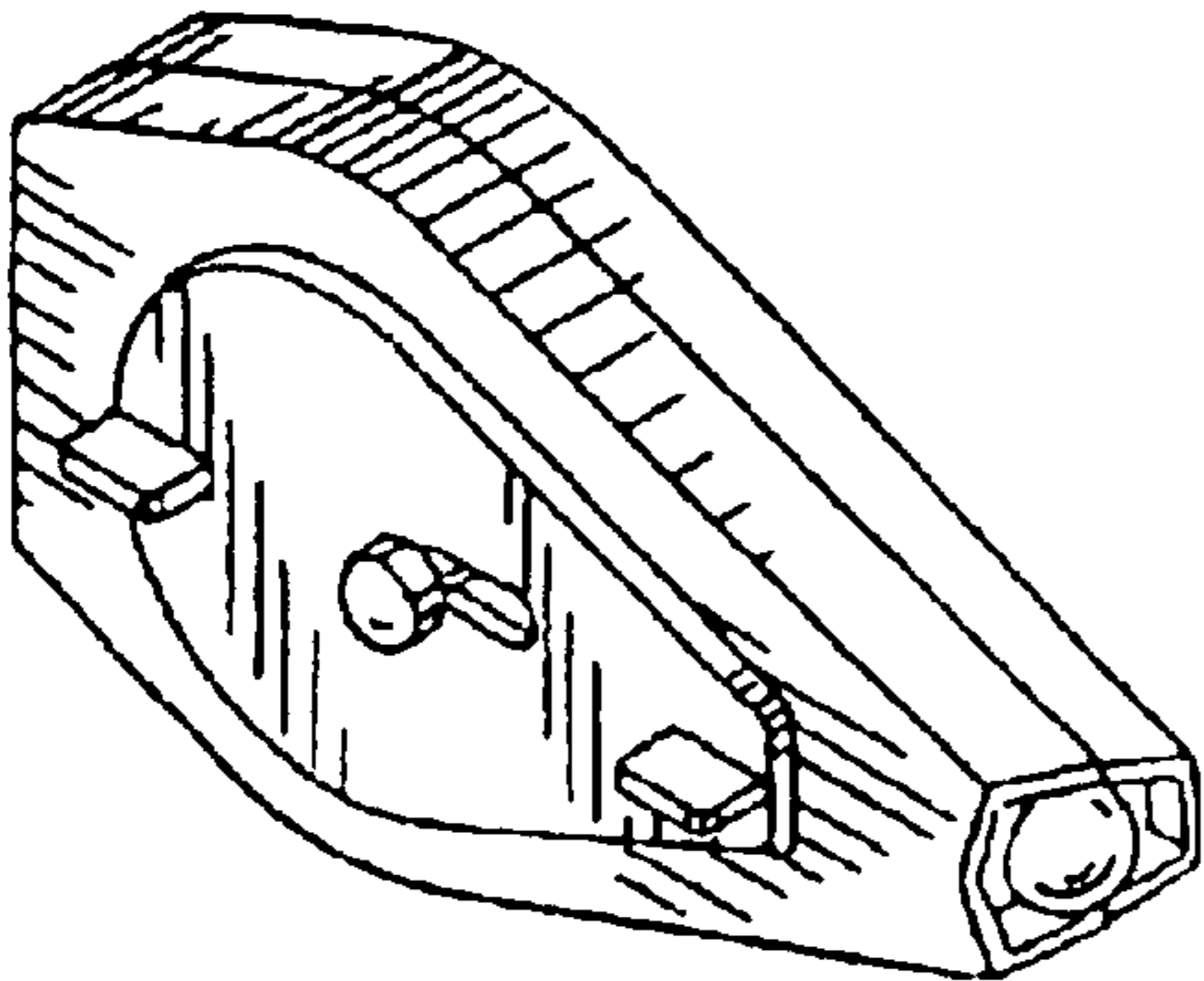


FIG. 1

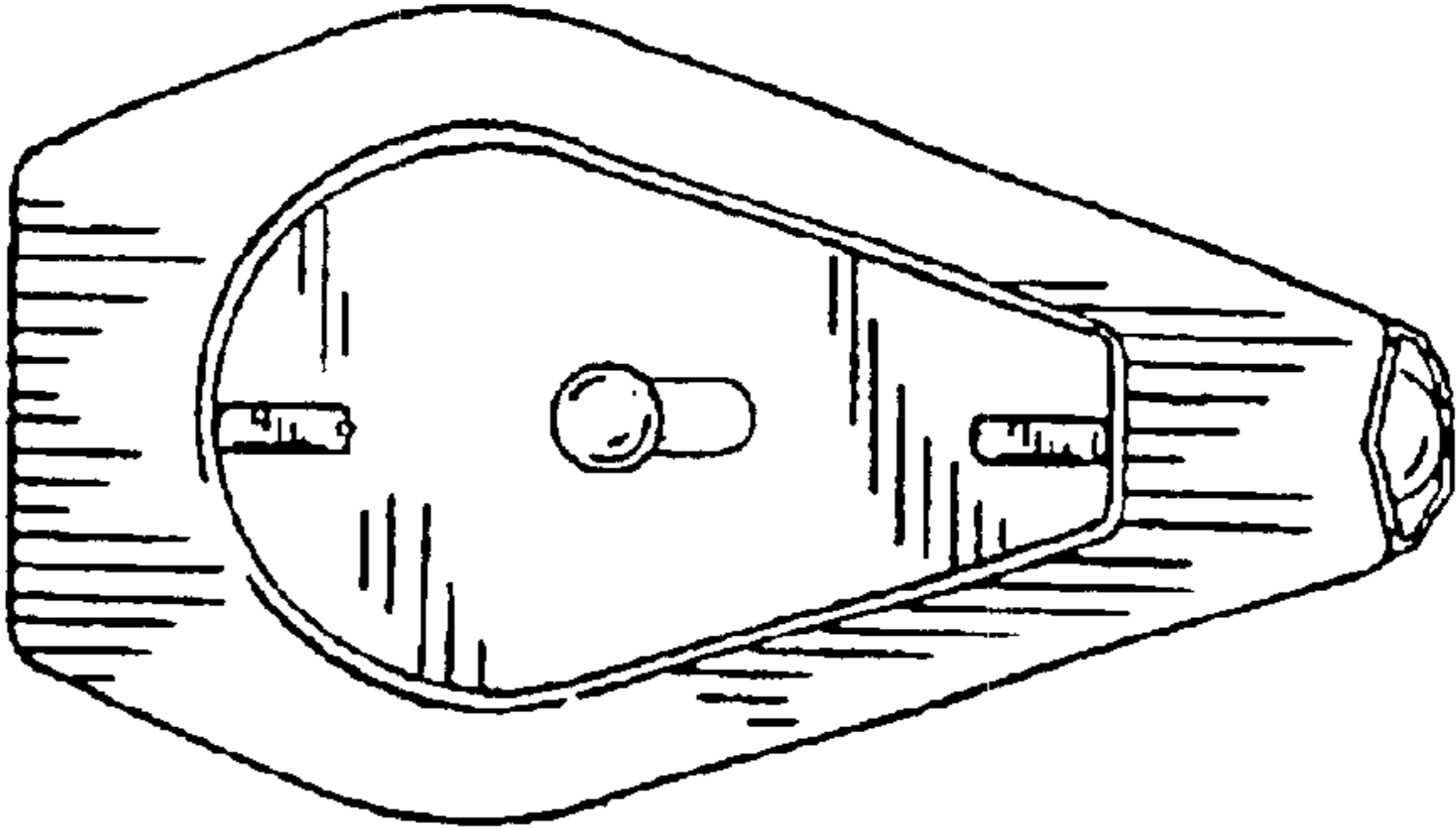


FIG. 2

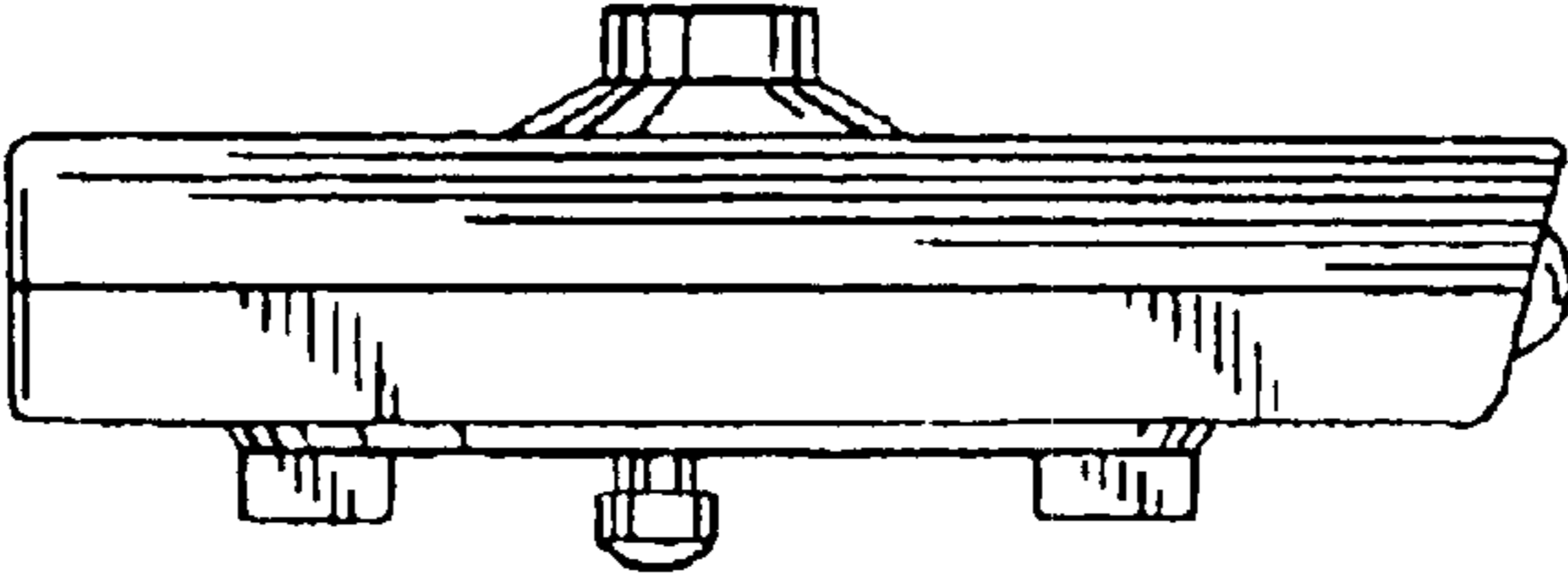


FIG. 3

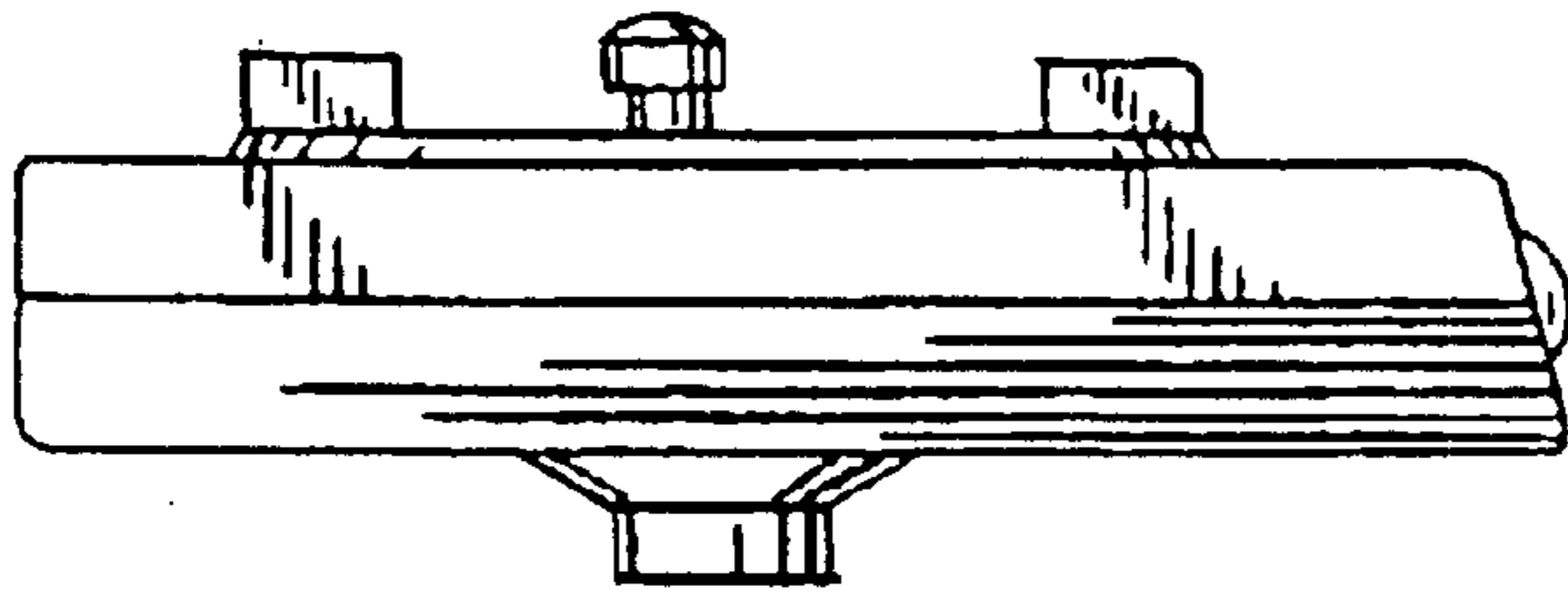


FIG. 4

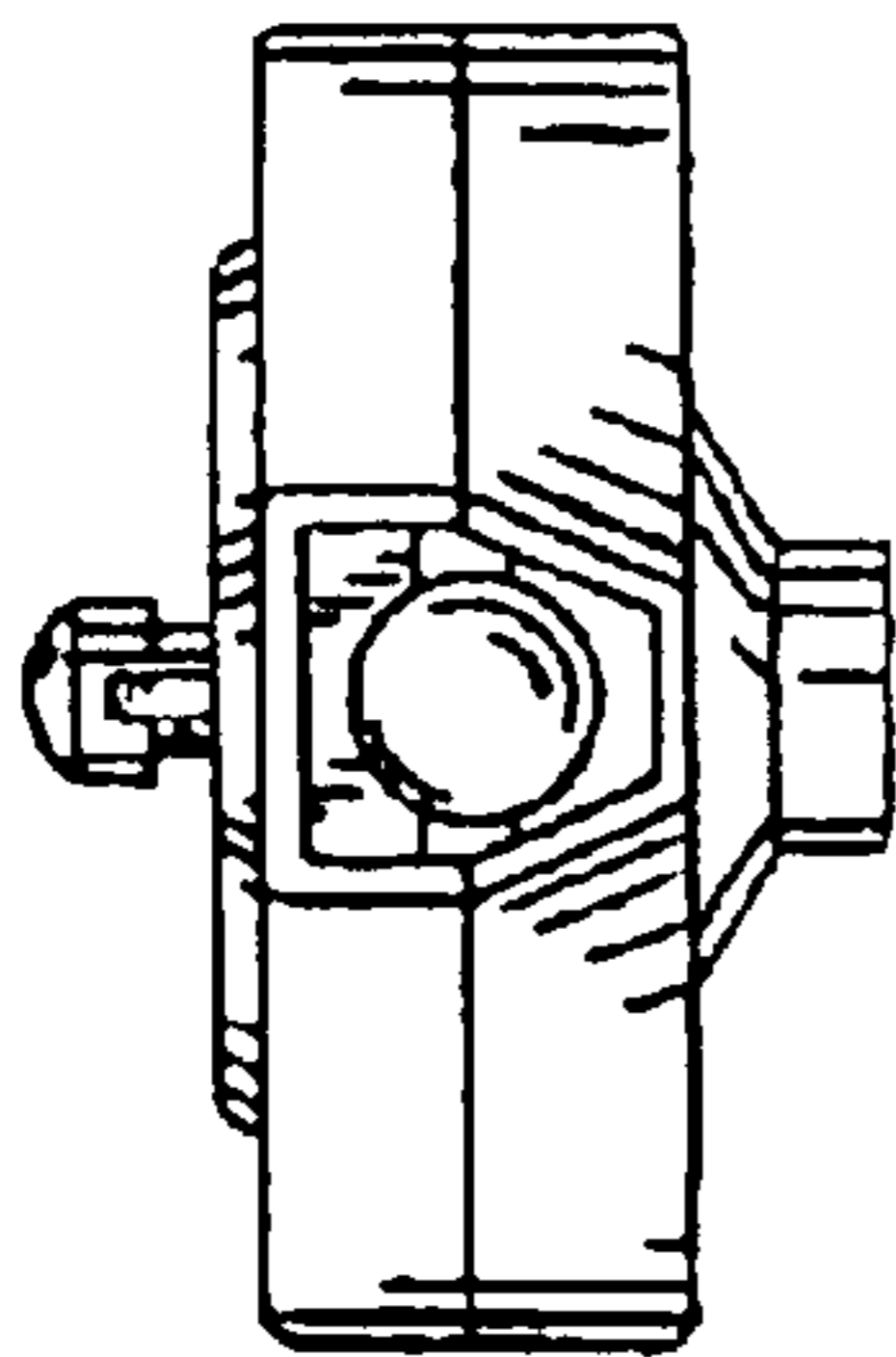


FIG. 5

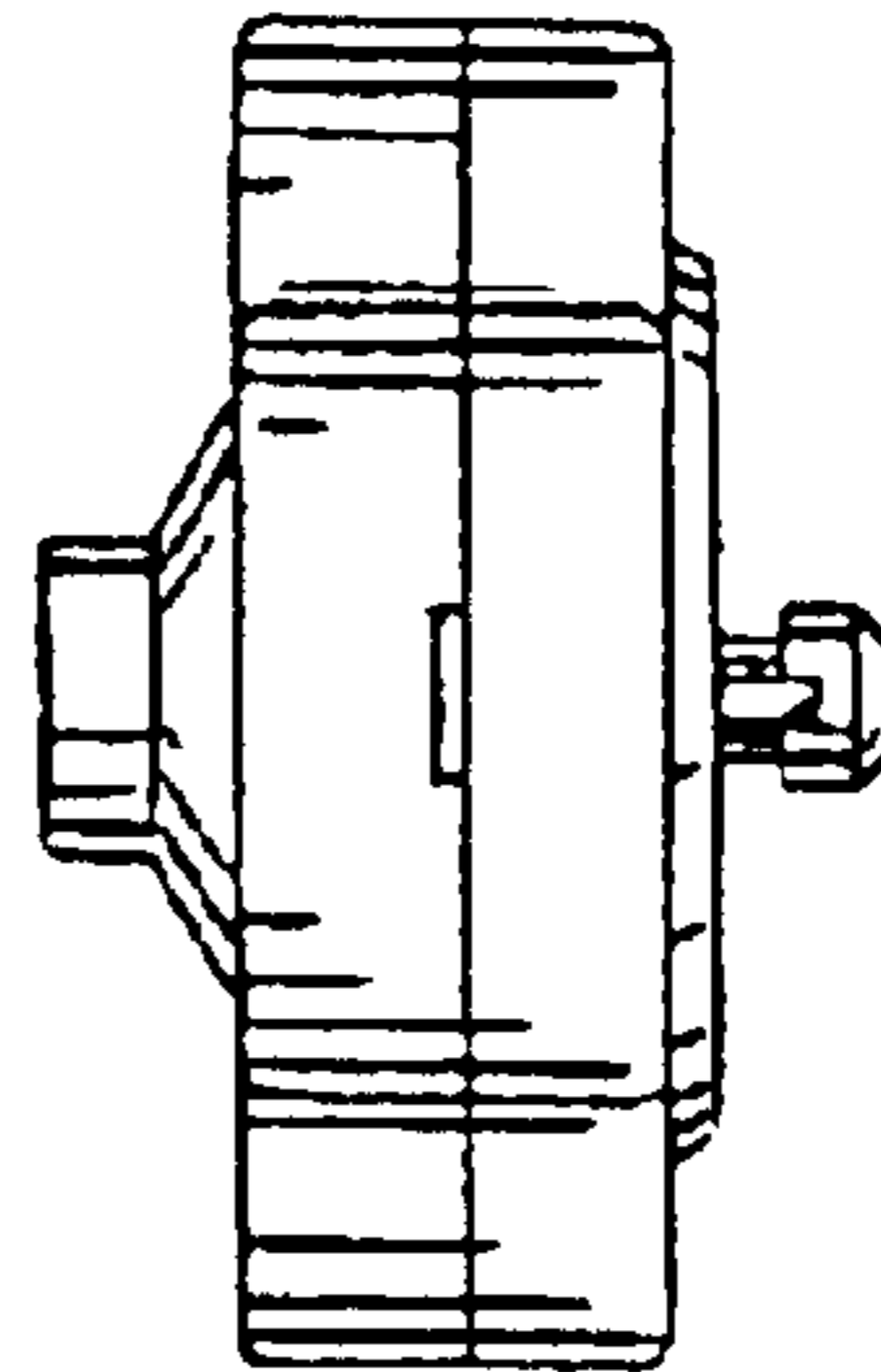


FIG. 6

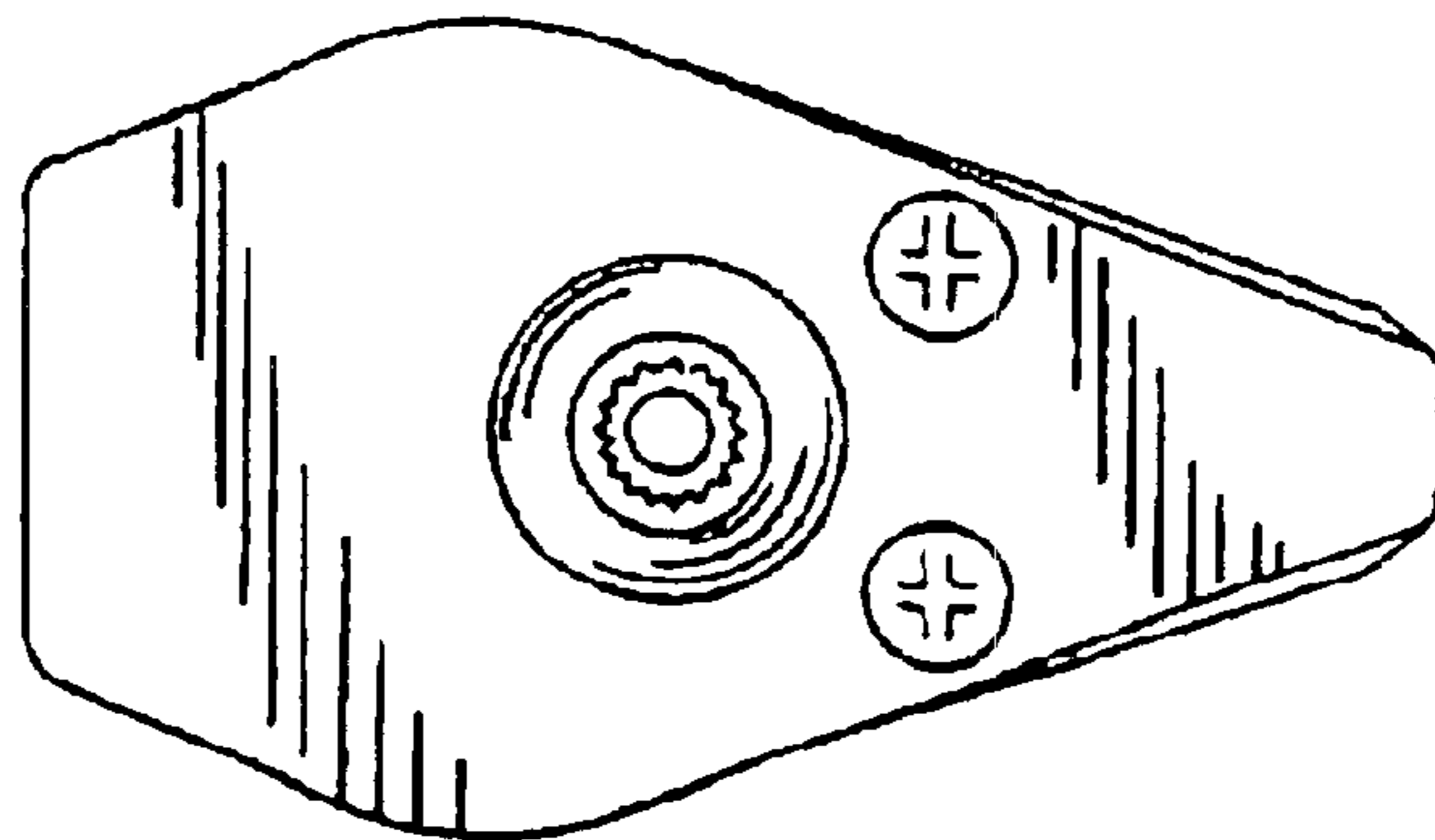


FIG. 7

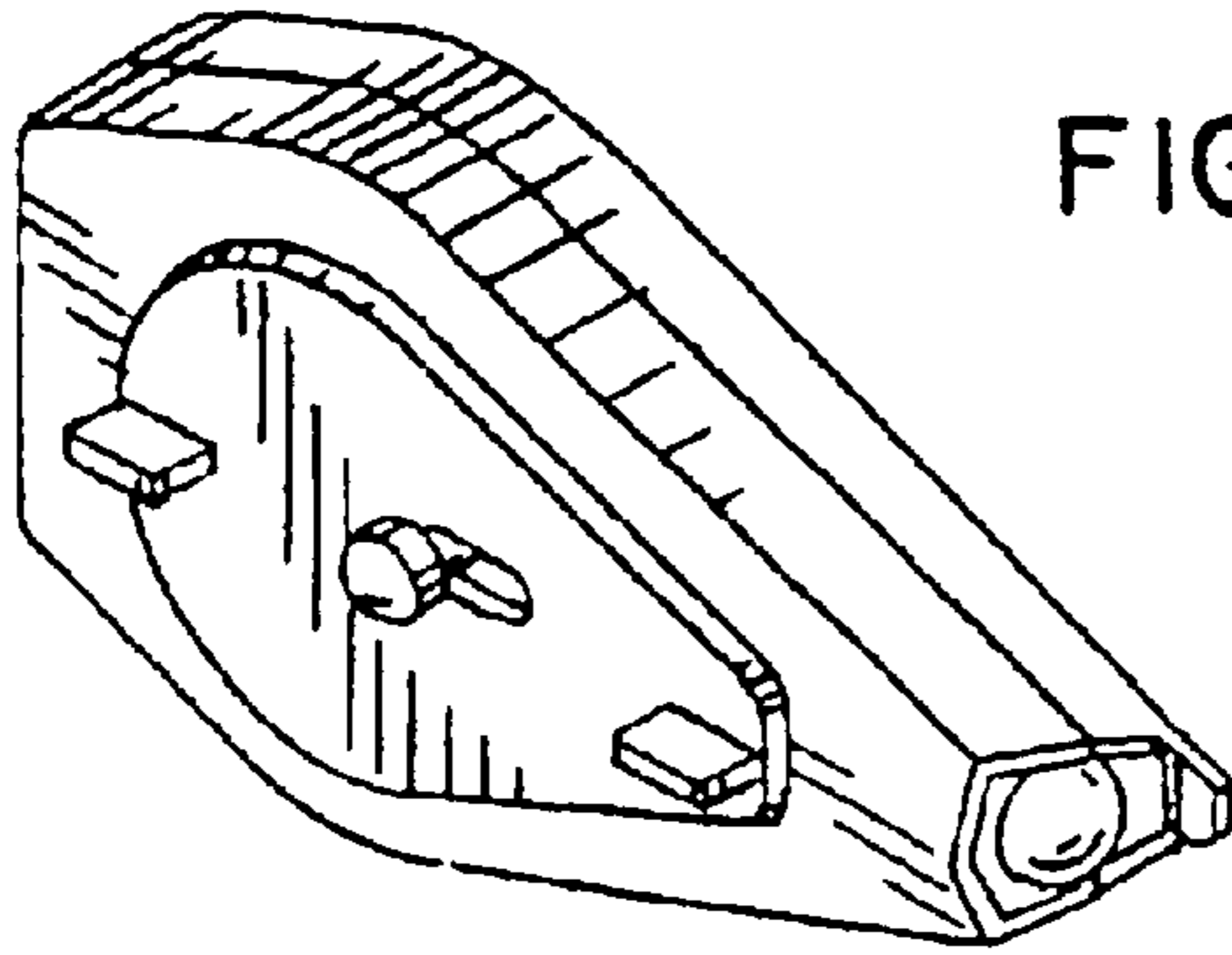


FIG. 8

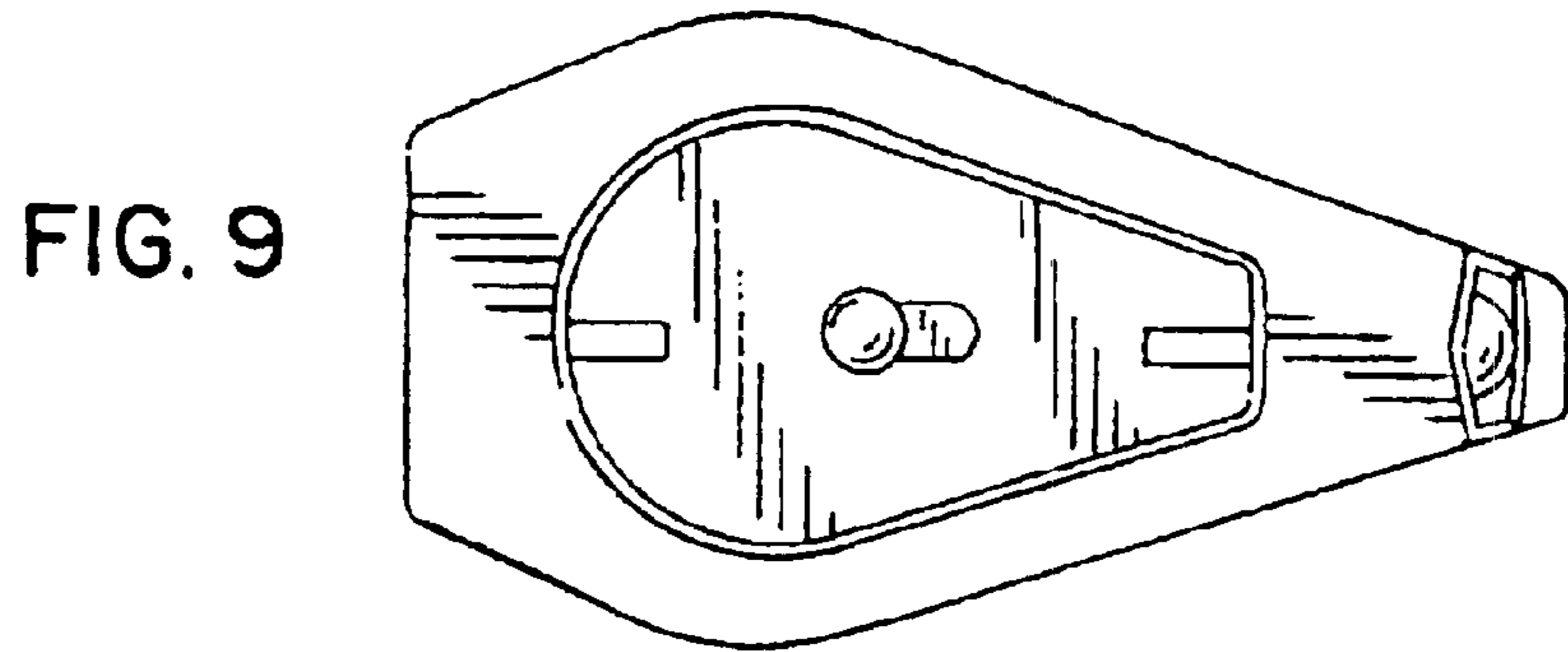


FIG. 9

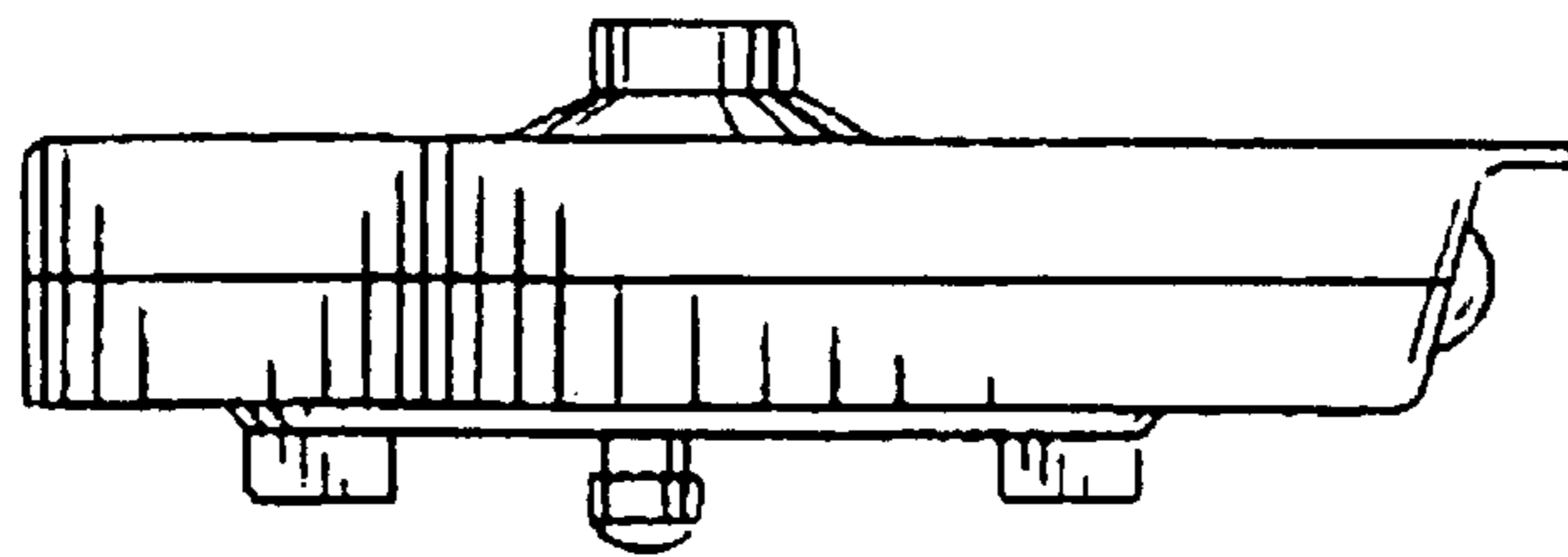


FIG. 10

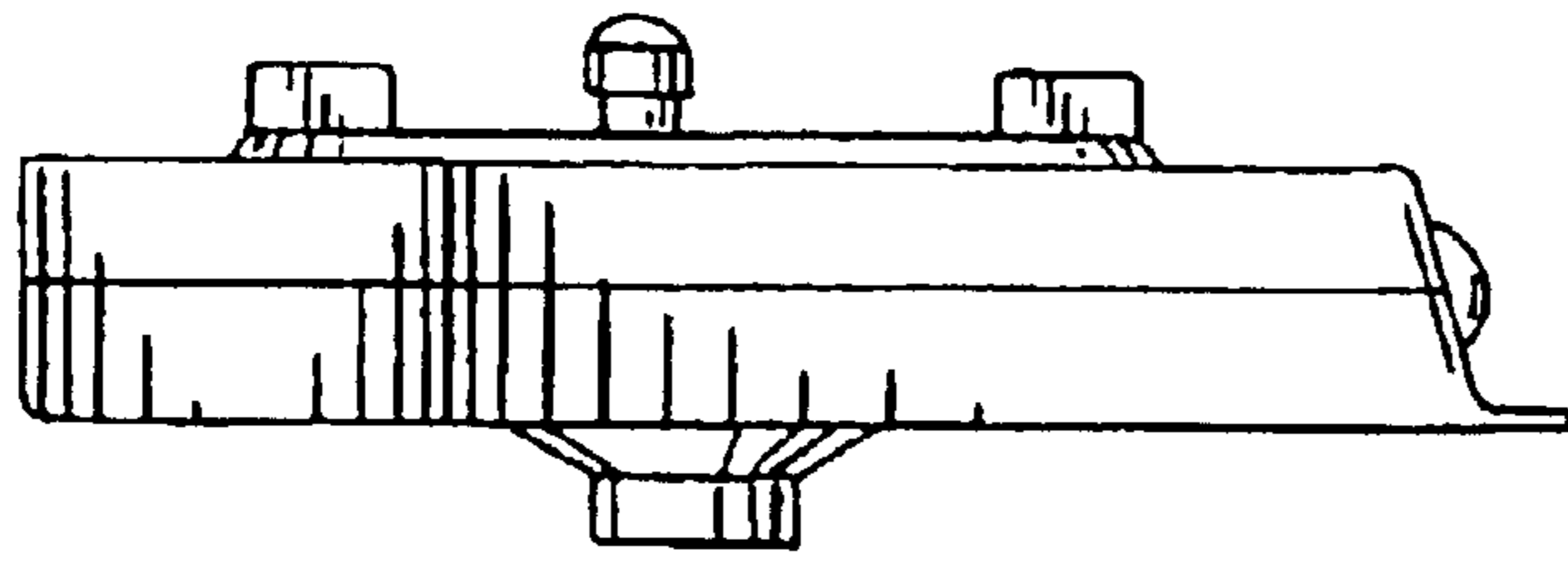


FIG. 11

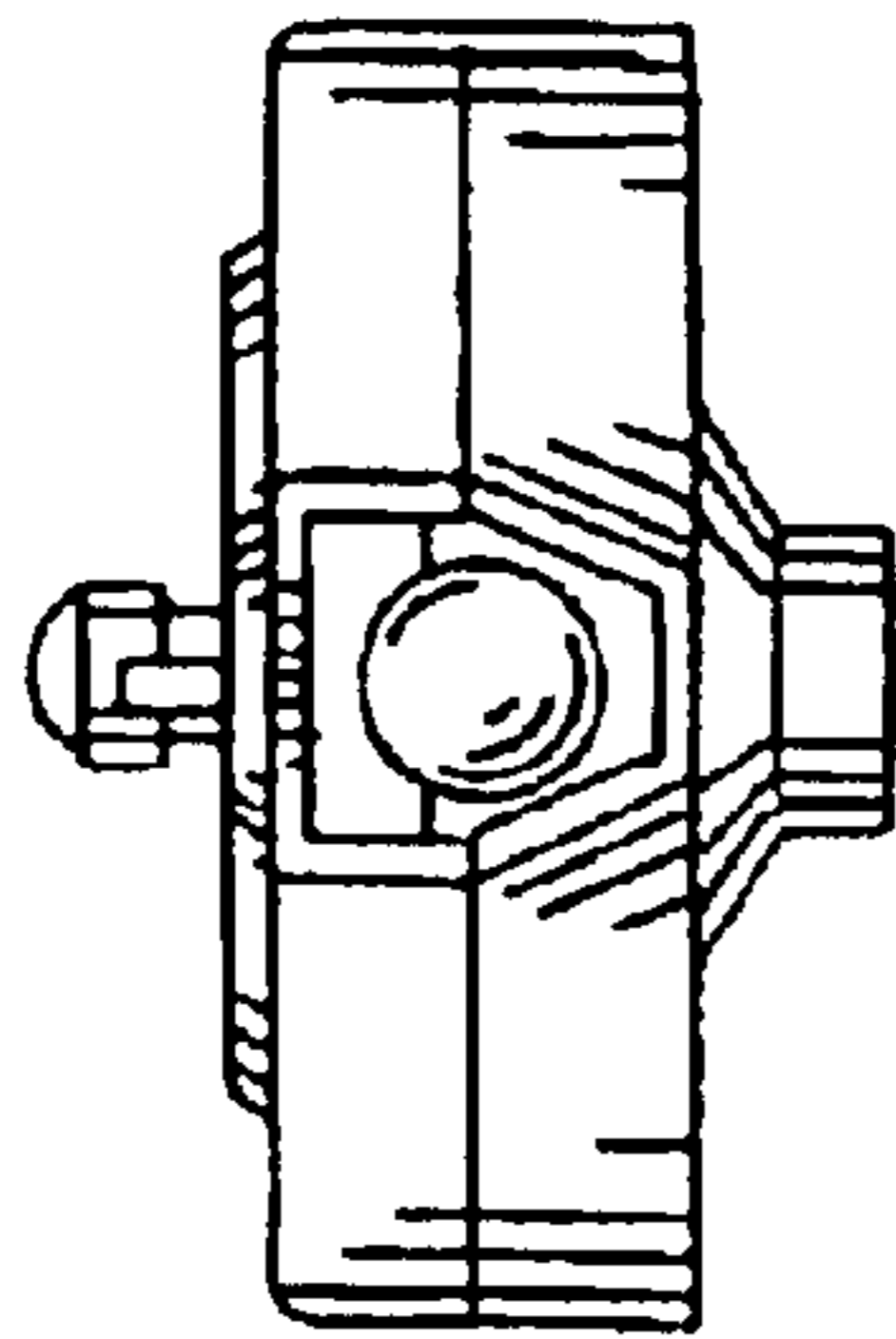


FIG. 12

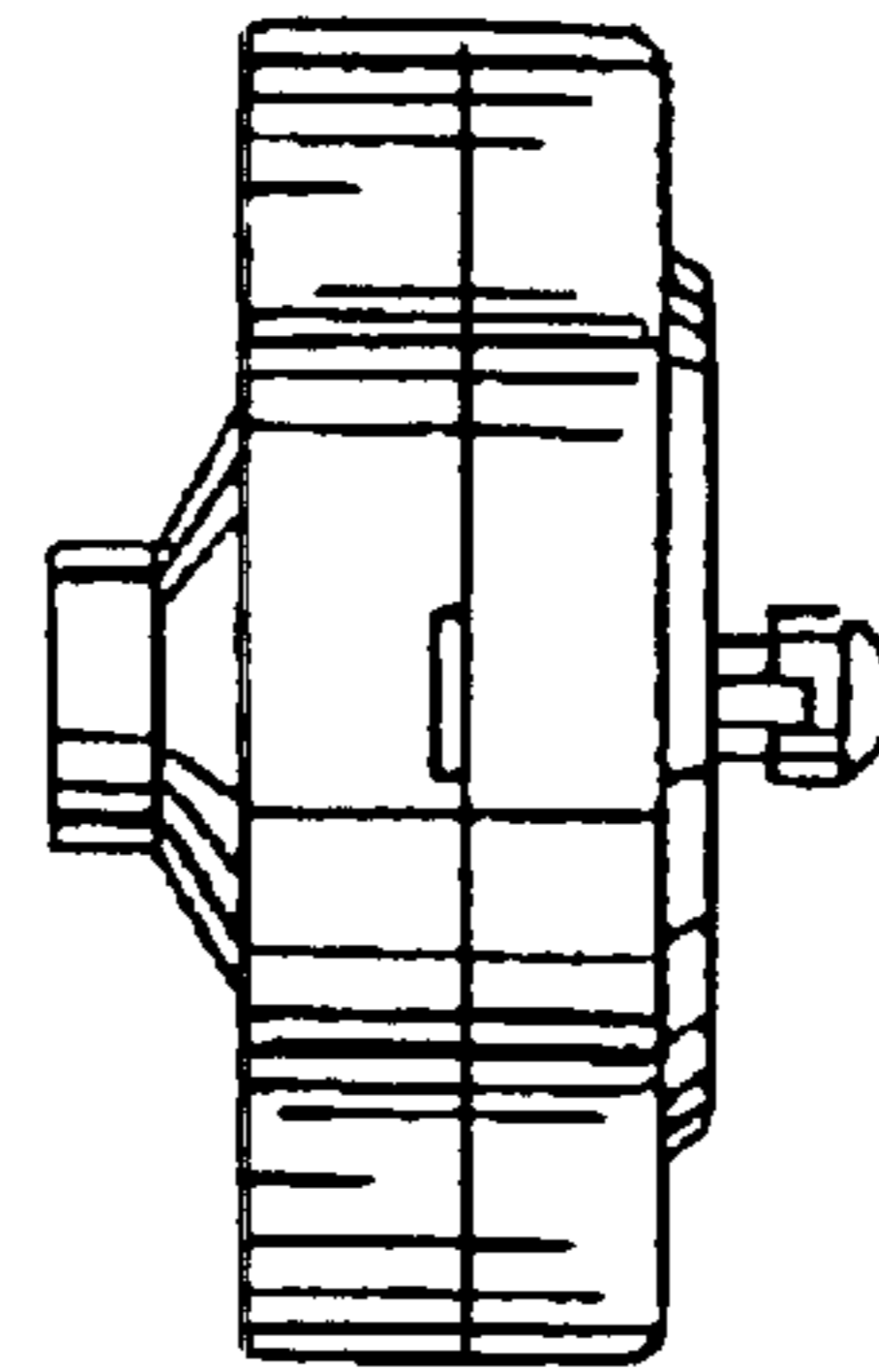


FIG. 13

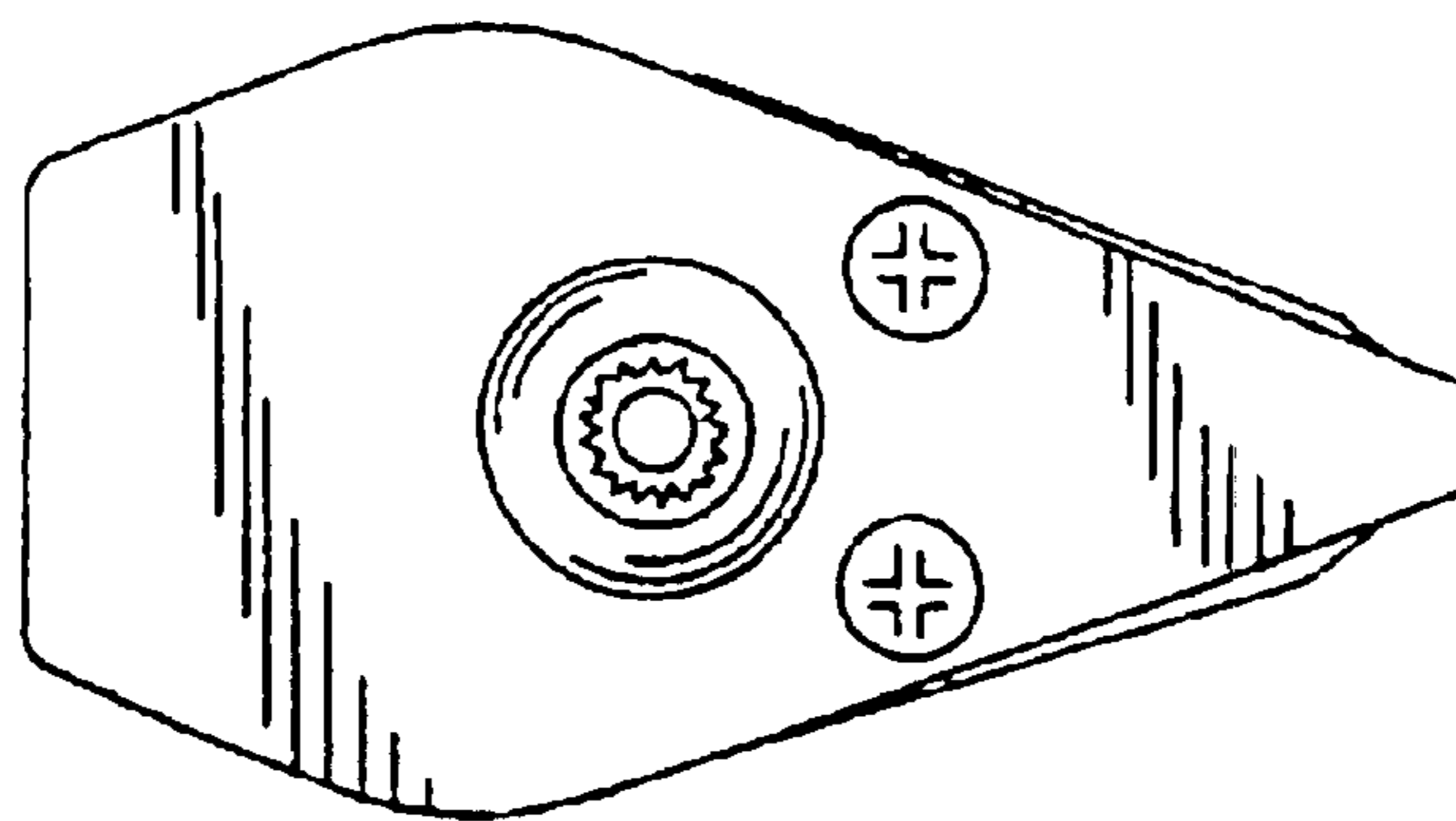


FIG. 14