



US00D507367S

(12) **United States Design Patent**  
**Chen**

(10) **Patent No.:** **US D507,367 S**  
(45) **Date of Patent:** **\*\* Jul. 12, 2005**

(54) **FLASHLIGHT HEAD AND POLYGONAL TAIL**

D497,445 S \* 10/2004 Chan ..... D26/37  
D501,054 S \* 1/2005 Galli ..... D26/37

(75) Inventor: **Joy C. Chen**, Burlingame, CA (US)

\* cited by examiner

(73) Assignee: **Pentagon Scientific Corporation**,  
Burlingame, CA (US)

*Primary Examiner*—Marcus A. Jackson

(\*\*) Term: **14 Years**

(57) **CLAIM**

(21) Appl. No.: **29/213,703**

The ornamental design for a flashlight head and polygonal tail, as shown and described.

(22) Filed: **Sep. 23, 2004**

**DESCRIPTION**

(51) **LOC (8) Cl.** ..... **26-02**

FIG. 1 is a perspective view of my new flashlight design, with the center broken away to indicate indeterminate length;

(52) **U.S. Cl.** ..... **D26/37**

FIG. 2 is a perspective view thereof from the opposite side,

(58) **Field of Search** ..... D26/37-50; 362/157,  
362/158, 171-174, 183-208

FIG. 3 is a top view thereof,

FIG. 4 is a bottom view thereof,

FIG. 5 is a left side view thereof; the right side view is a mirror image of the left side,

FIG. 6 is a front view thereof,

FIG. 7 is a rear view thereof,

FIG. 8 is a perspective view of a second embodiment of the new flashlight design;

FIG. 9 is a top view thereof,

FIG. 10 is a bottom view thereof, and,

FIG. 11 is a left side view thereof; the right side view is a mirror image of the left side.

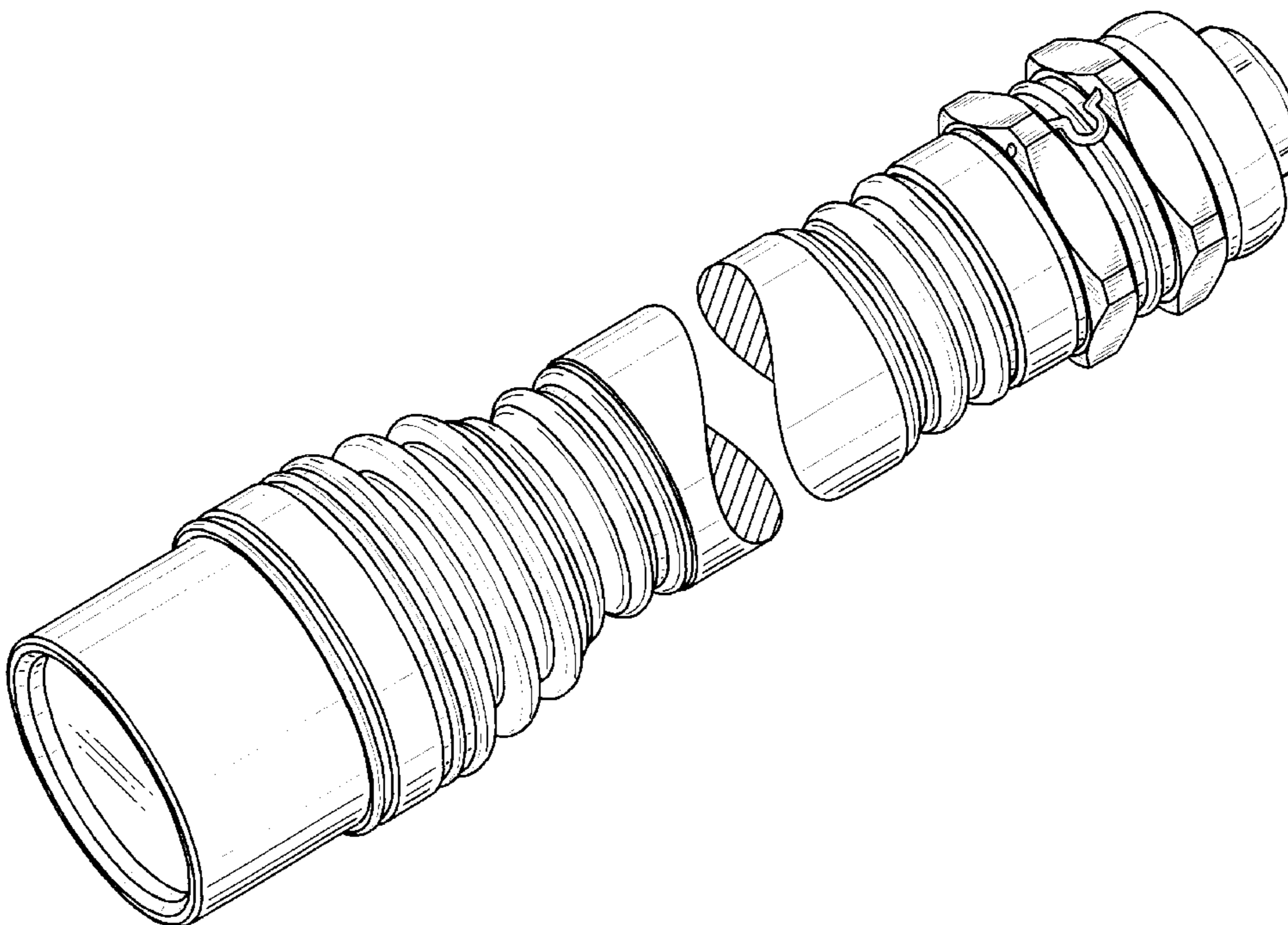
Portions of the body not shown in the drawing figures form no part of the claim design.

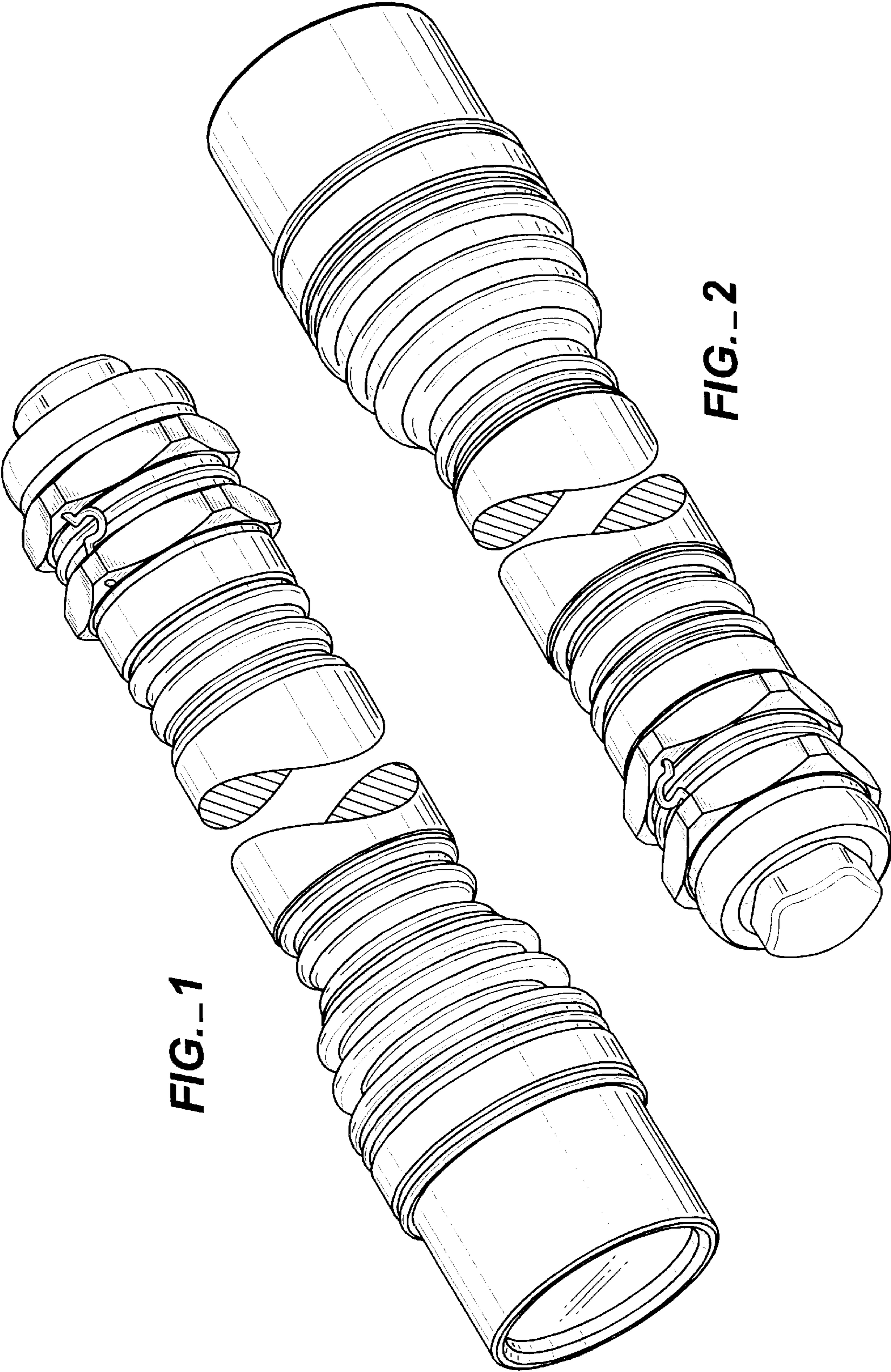
(56) **References Cited**

**U.S. PATENT DOCUMENTS**

D428,504 S	7/2000	Saunders	
D434,164 S	11/2000	Galli	
D455,510 S	4/2002	Galli	
D468,851 S	1/2003	Galli	
D473,961 S	4/2003	Galli	
D481,482 S	* 10/2003	Mah	..... D26/37
D486,935 S	2/2004	Shin	
D486,936 S	2/2004	Shin	
D486,937 S	2/2004	Shin	
D488,877 S	4/2004	Shin	
D490,922 S	* 6/2004	Chen	..... D26/37
D491,679 S	6/2004	Lau	

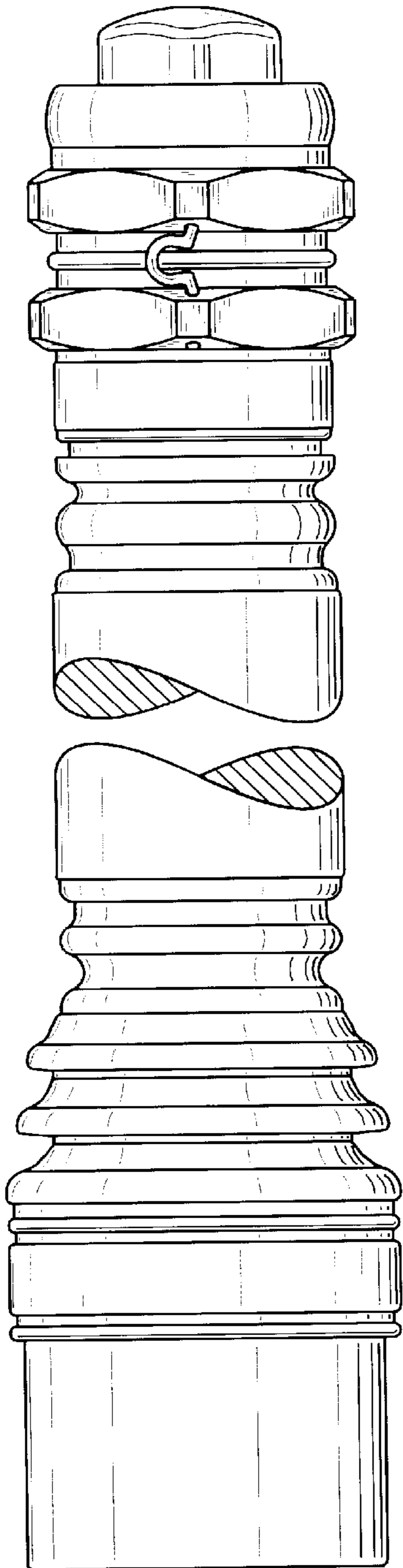
**1 Claim, 6 Drawing Sheets**



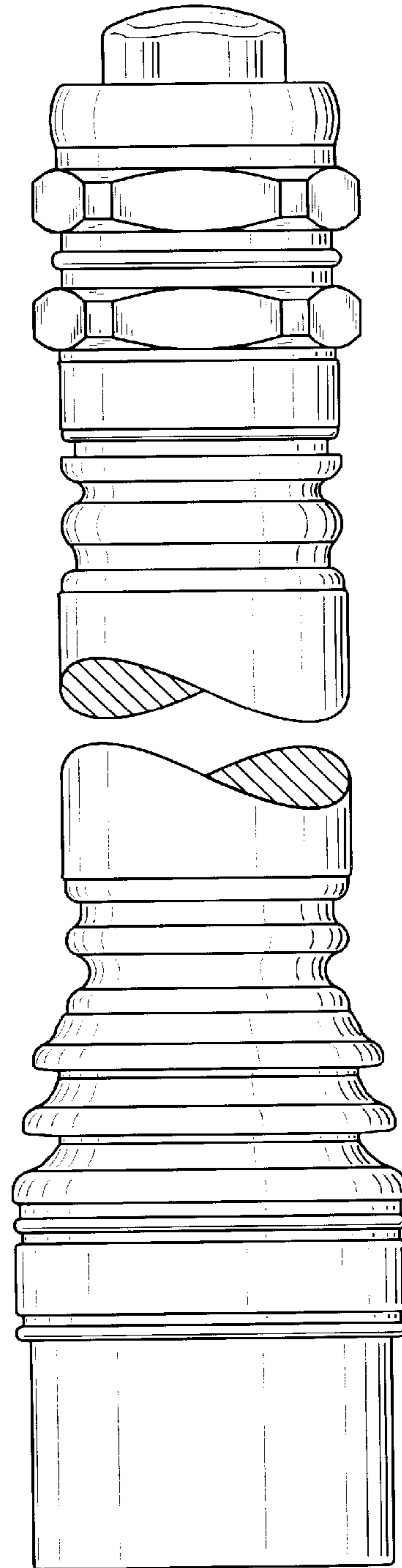


**FIG.--1**

**FIG.--2**

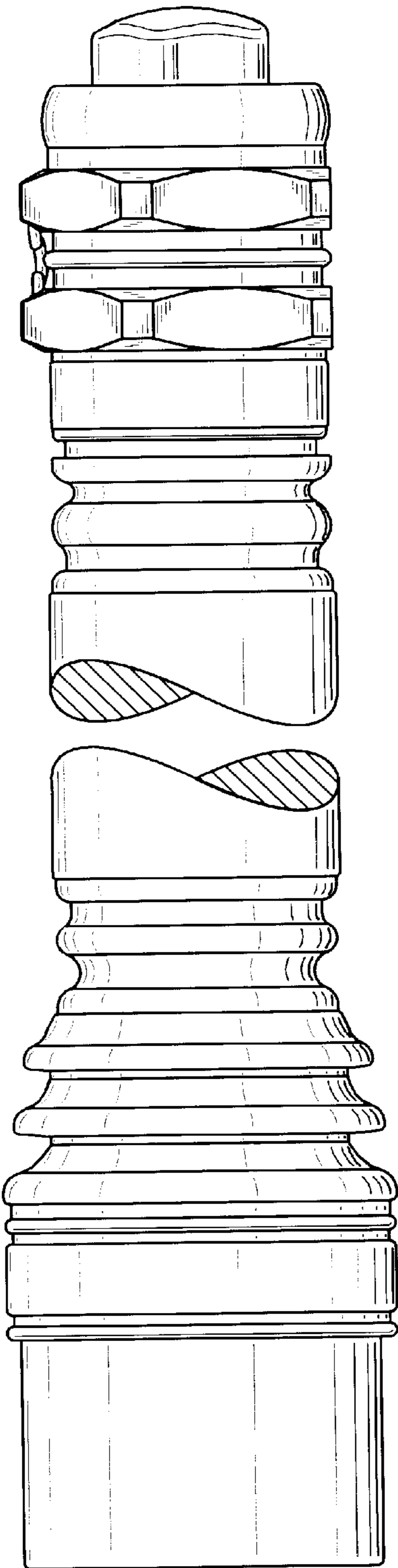


**FIG.\_3**

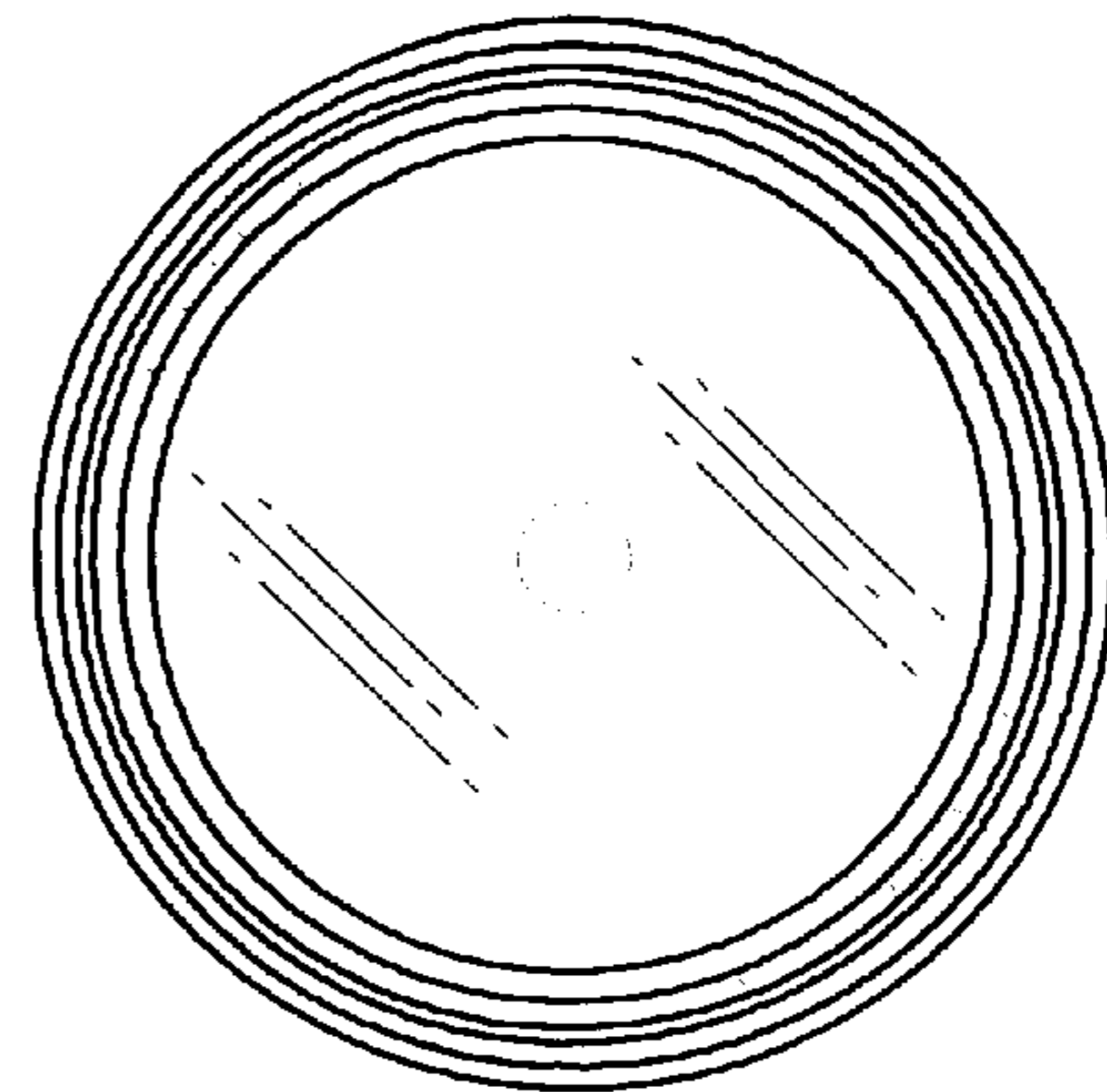


**FIG.\_4**

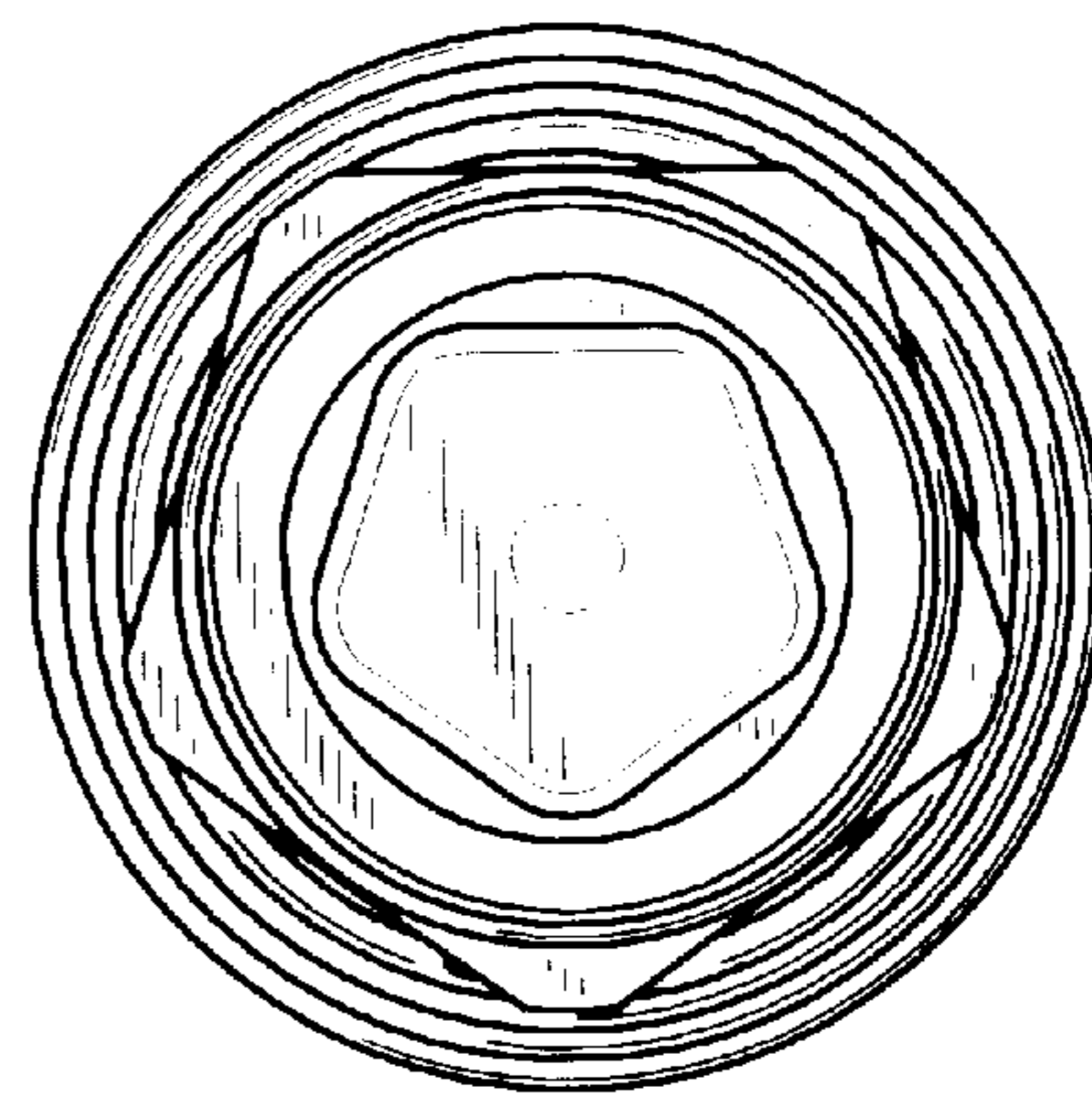




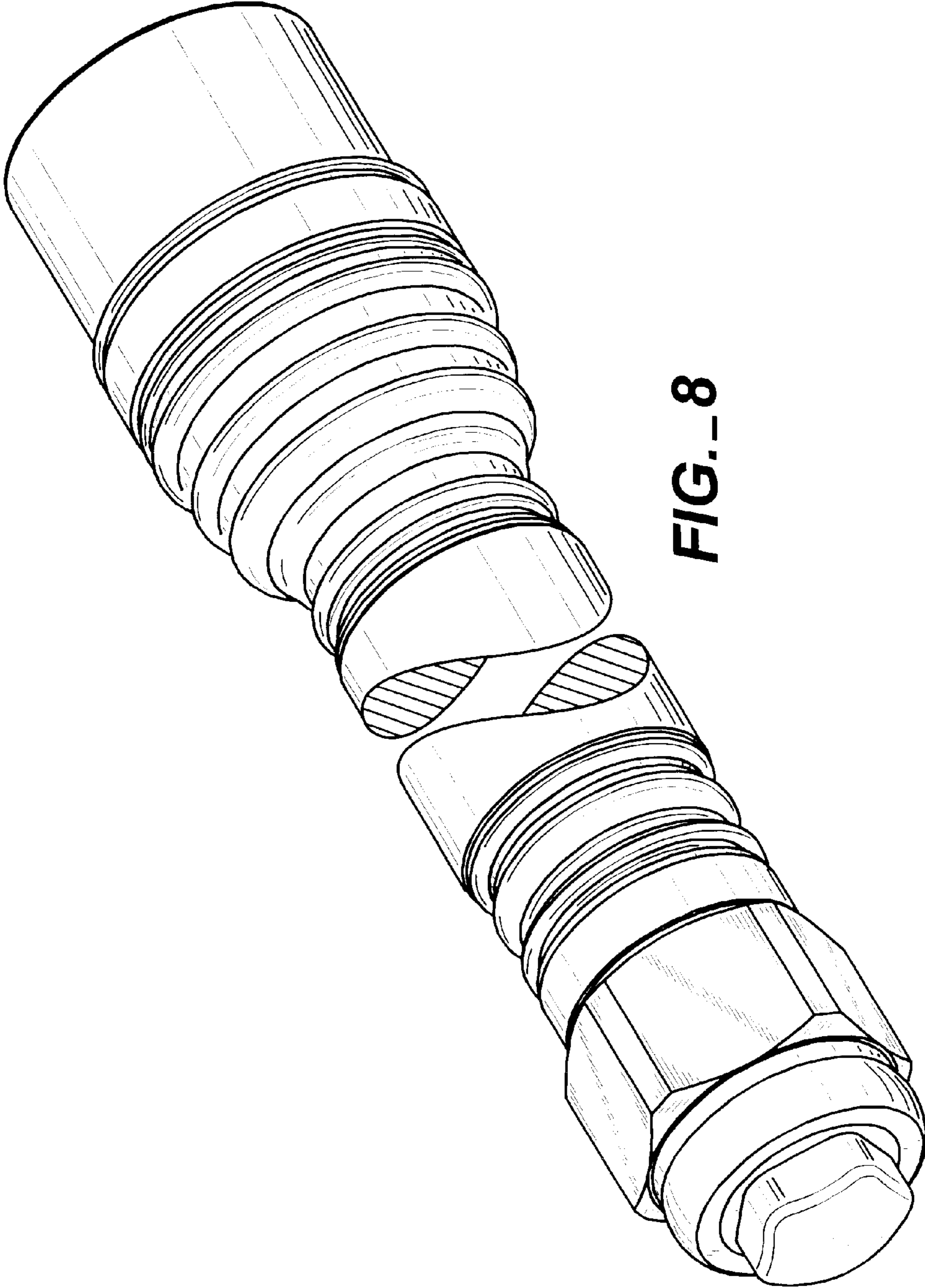
**FIG.\_5**



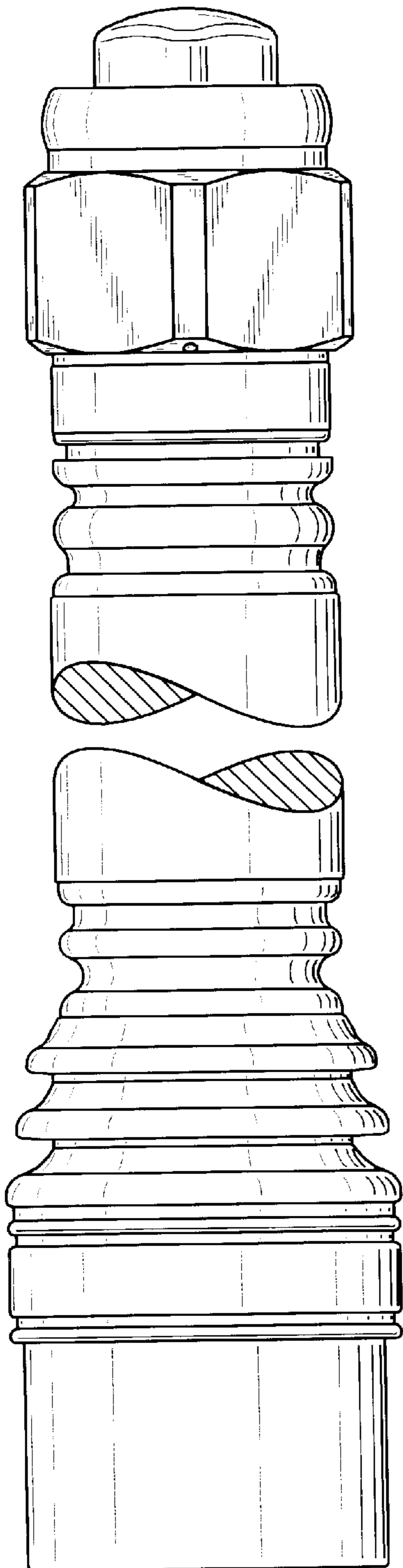
**FIG.\_6**



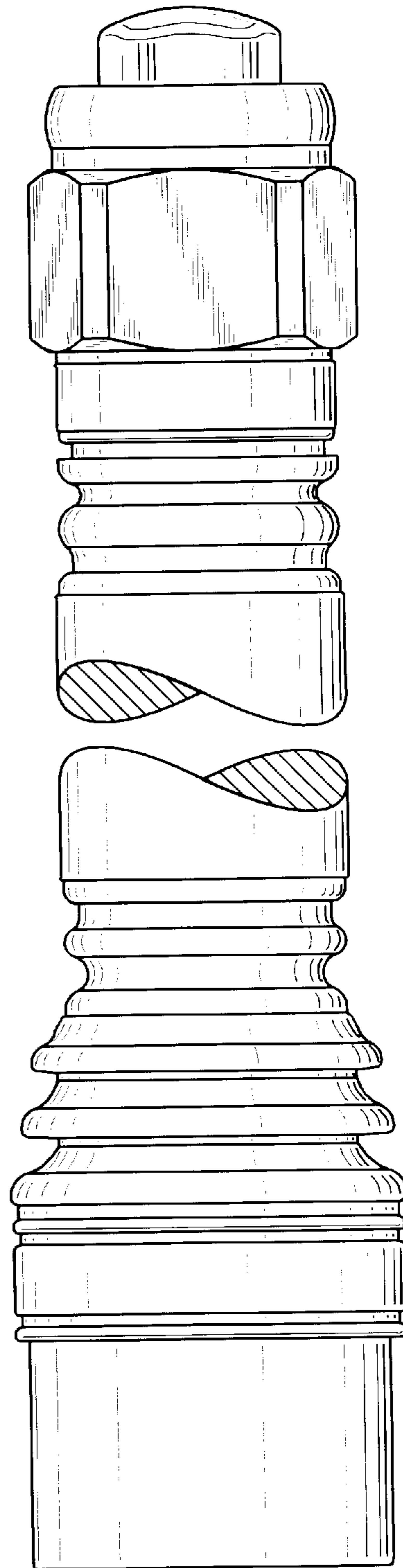
**FIG.\_7**



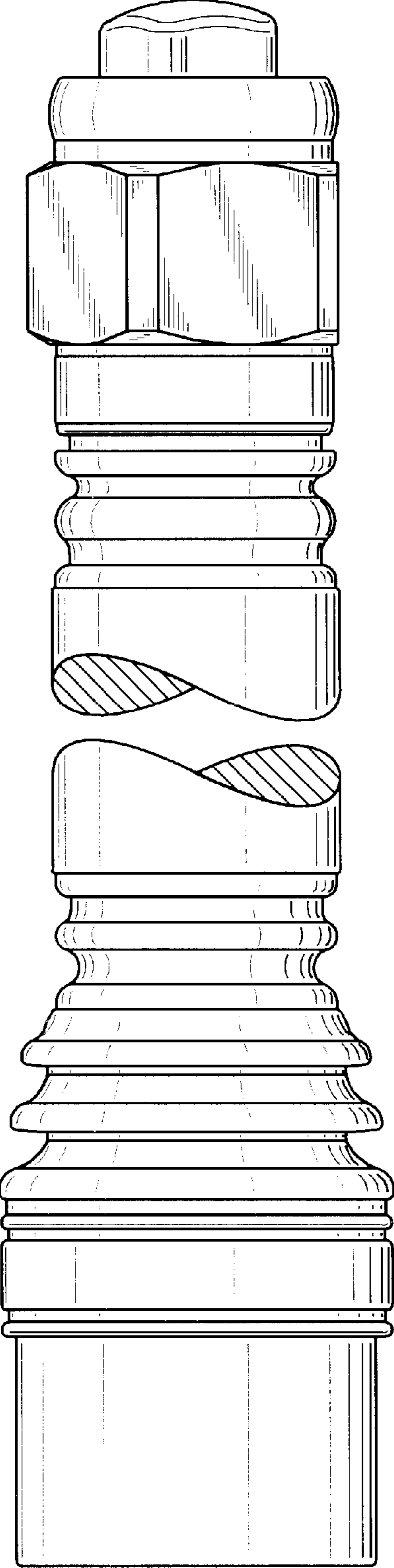
**FIG. 8**



**FIG. 9**



**FIG. 10**



**FIG. 11**