

US00D507365S

(12) **United States Design Patent**
Chen

(10) **Patent No.:** **US D507,365 S**

(45) **Date of Patent:** **** Jul. 12, 2005**

(54) **FLASHLIGHT**

D497,445 S * 10/2004 Chan D26/37
D501,054 S * 1/2005 Galli D26/37

(76) **Inventor:** **Yan Chen**, Buiding 1, LianFeng
Industrial Zone, YaoFeng District,
Haishu, Ningbo 315010 (CN)

* cited by examiner

(**) **Term:** **14 Years**

Primary Examiner—Marcus A. Jackson
(74) *Attorney, Agent, or Firm*—Mark D. Simpson;
Synnestvedt & Lechner LLP

(21) **Appl. No.:** **29/210,691**

(57) **CLAIM**

(22) **Filed:** **Aug. 4, 2004**

The ornamental design for a flashlight, as shown and
described.

(30) **Foreign Application Priority Data**

May 11, 2004 (CN) 2004300244427

DESCRIPTION

(51) **LOC (8) Cl.** **26-02**

(52) **U.S. Cl.** **D26/37**

(58) **Field of Search** D26/37-50; 362/157,
362/158, 171-174, 183-208

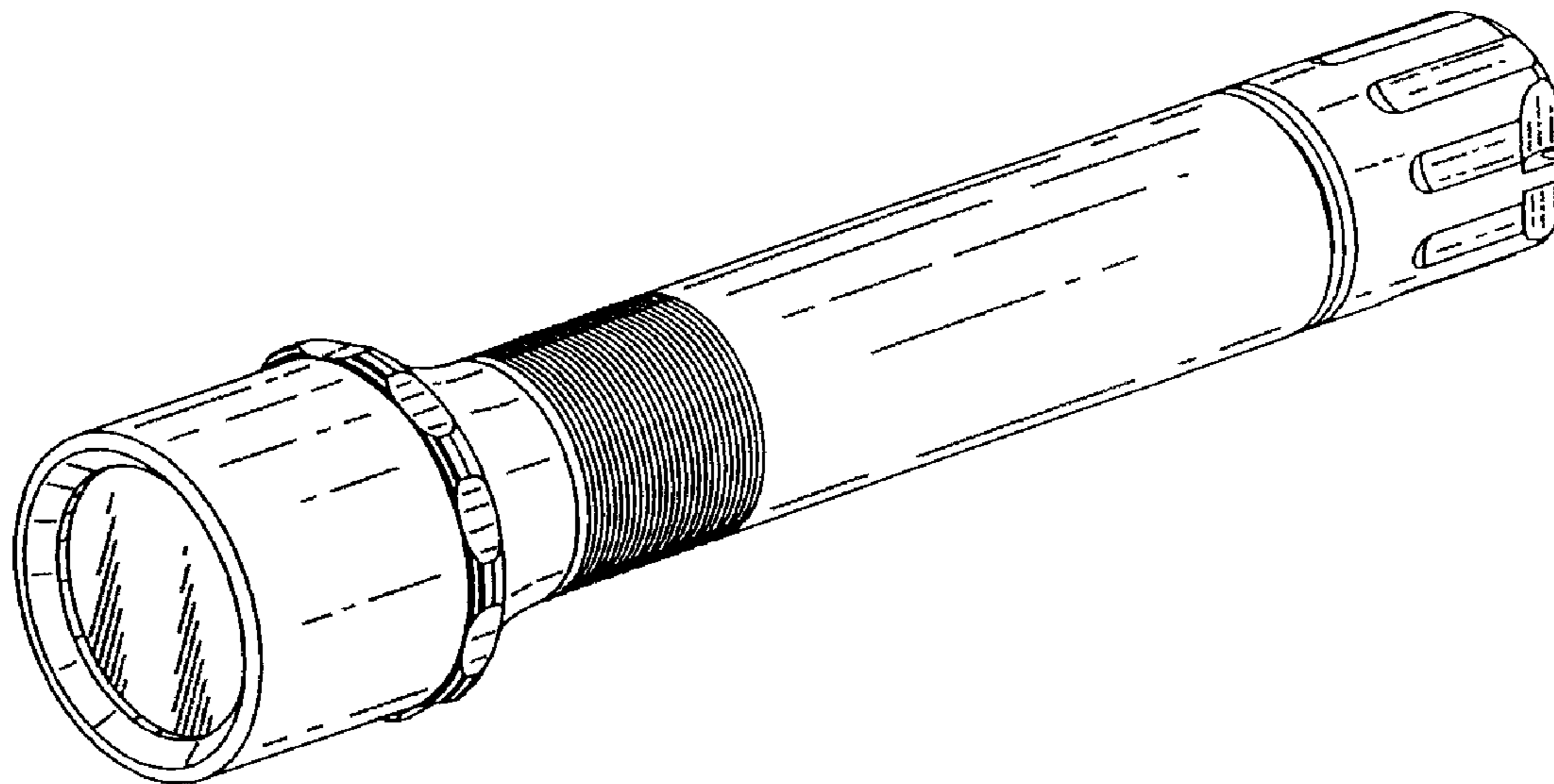
FIG. 1 is a front view;
FIG. 2 is a rear view;
FIG. 3 is a right side view;
FIG. 4 is a left side view;
FIG. 5 is a top plan view;
FIG. 6 is a bottom plan view.
FIG. 7 is a perspective view 1; and,
FIG. 8 is a perspective view 2.

(56) **References Cited**

U.S. PATENT DOCUMENTS

D394,321 S * 5/1998 Chiu D26/37

1 Claim, 3 Drawing Sheets



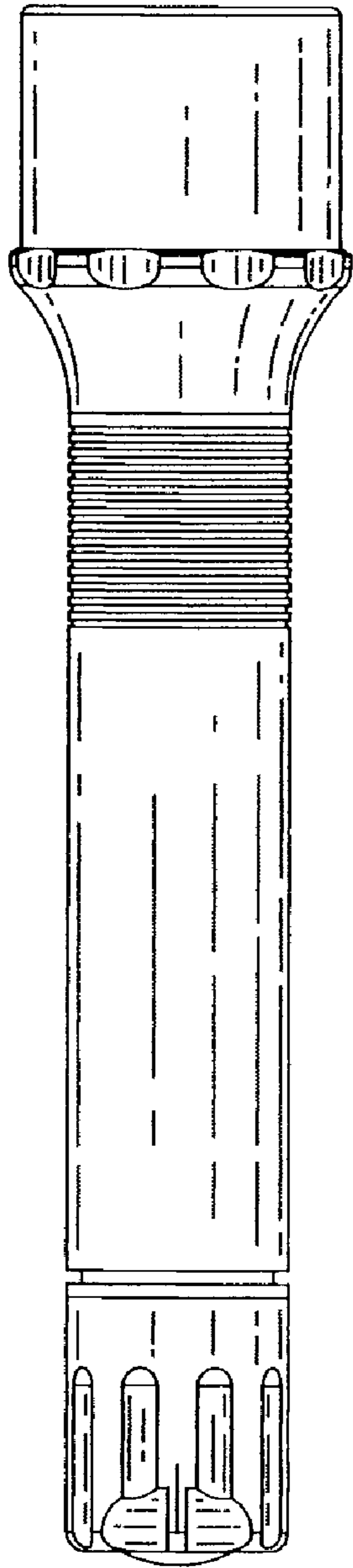


Fig.1

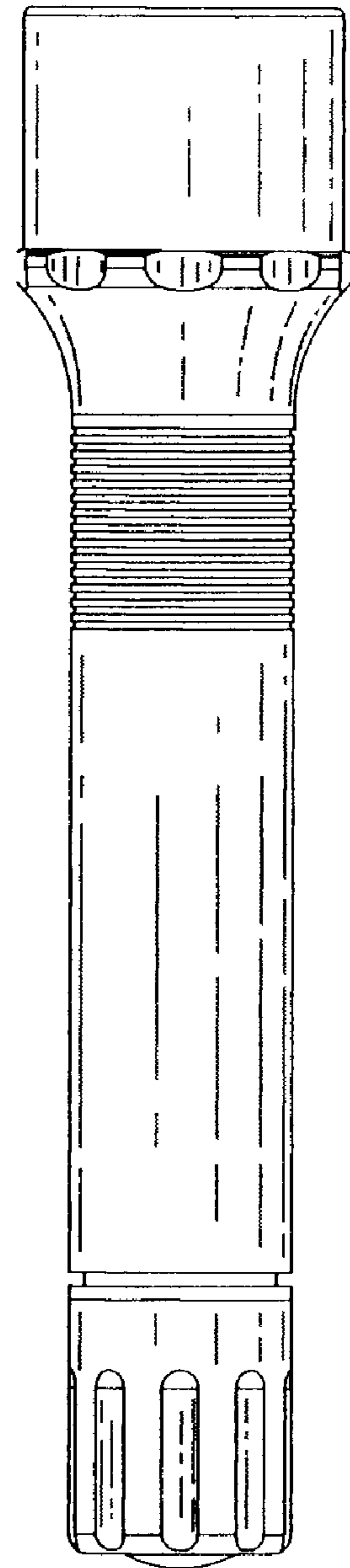


Fig.2

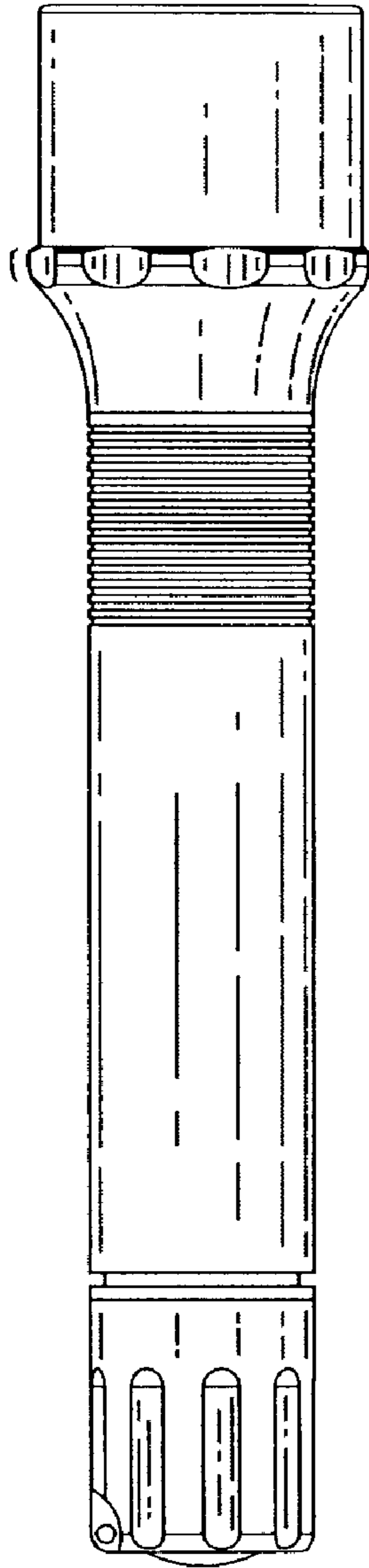


Fig.3

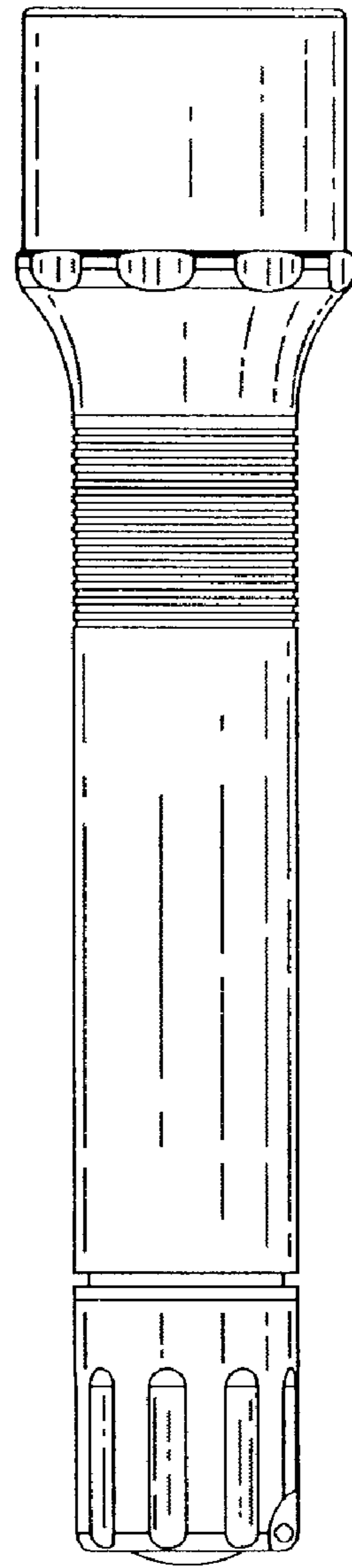


Fig.4

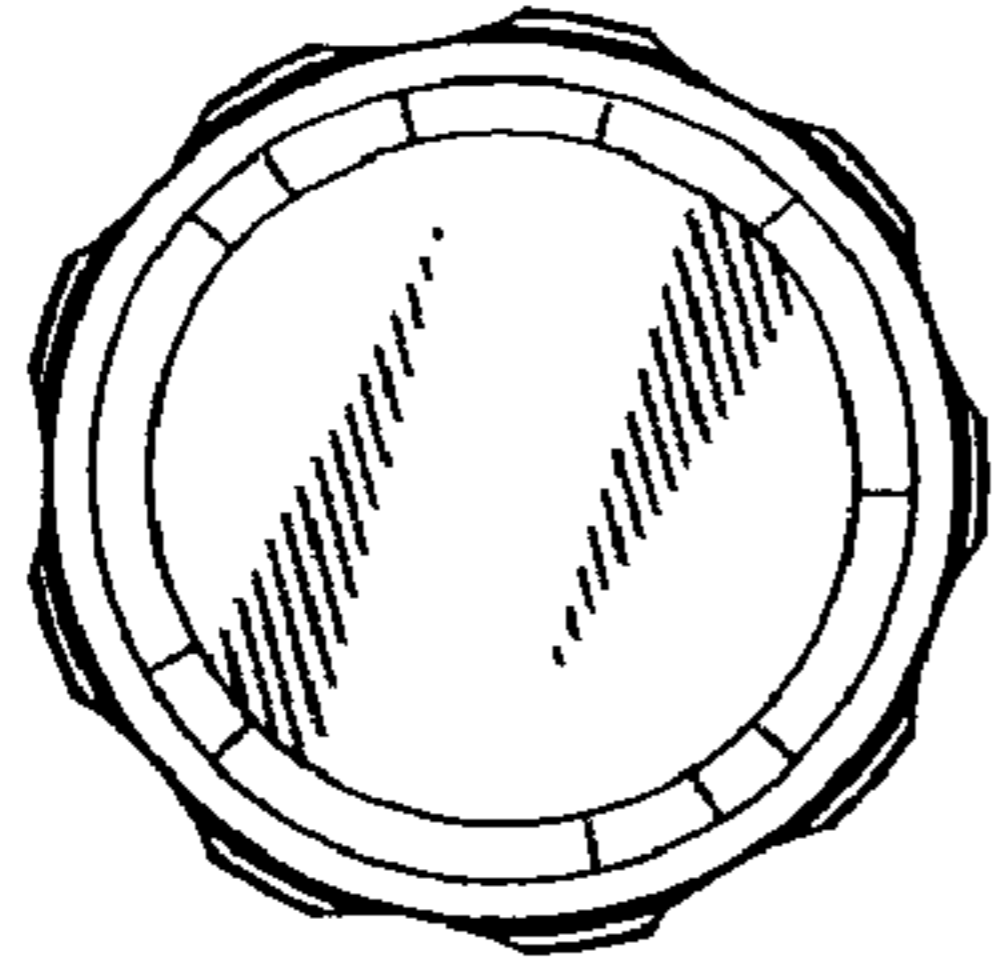


Fig.5

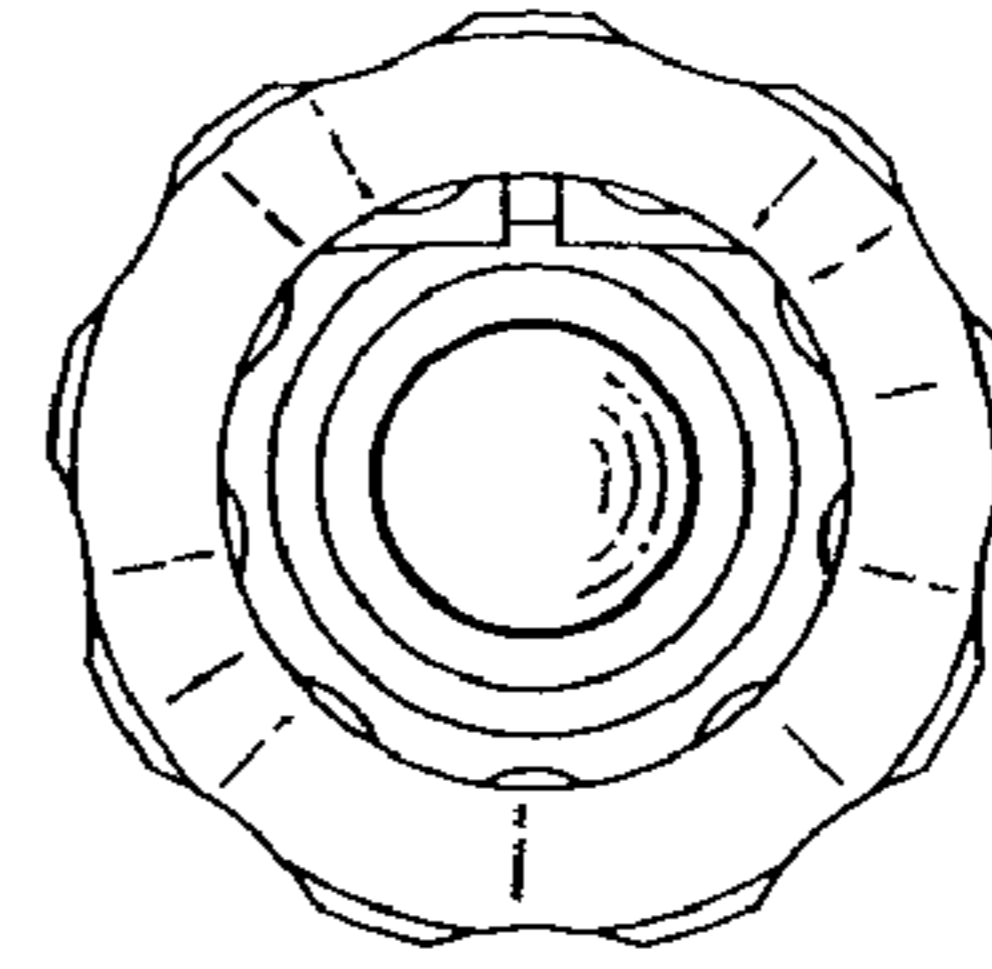


Fig.6

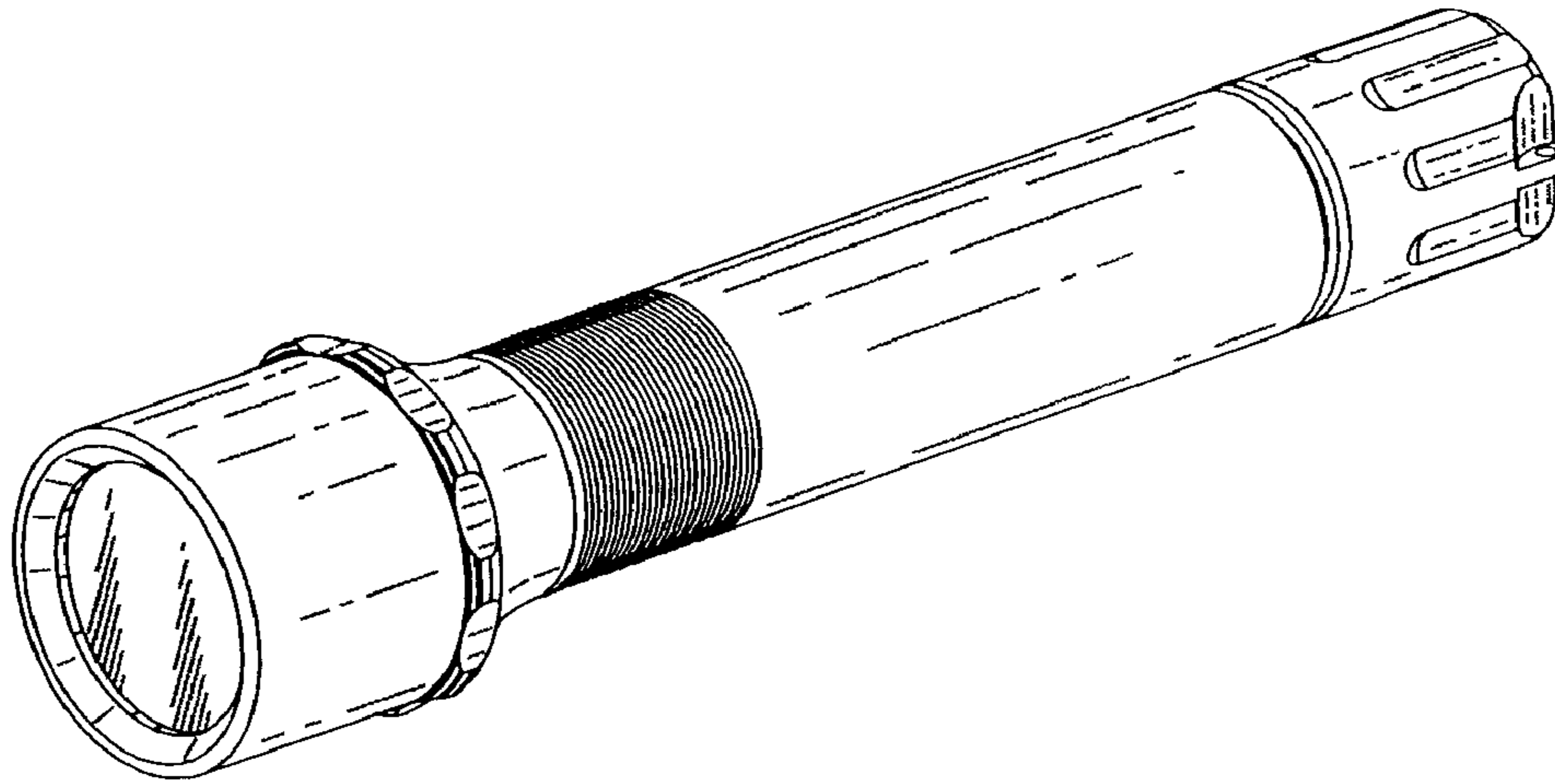


Fig.7

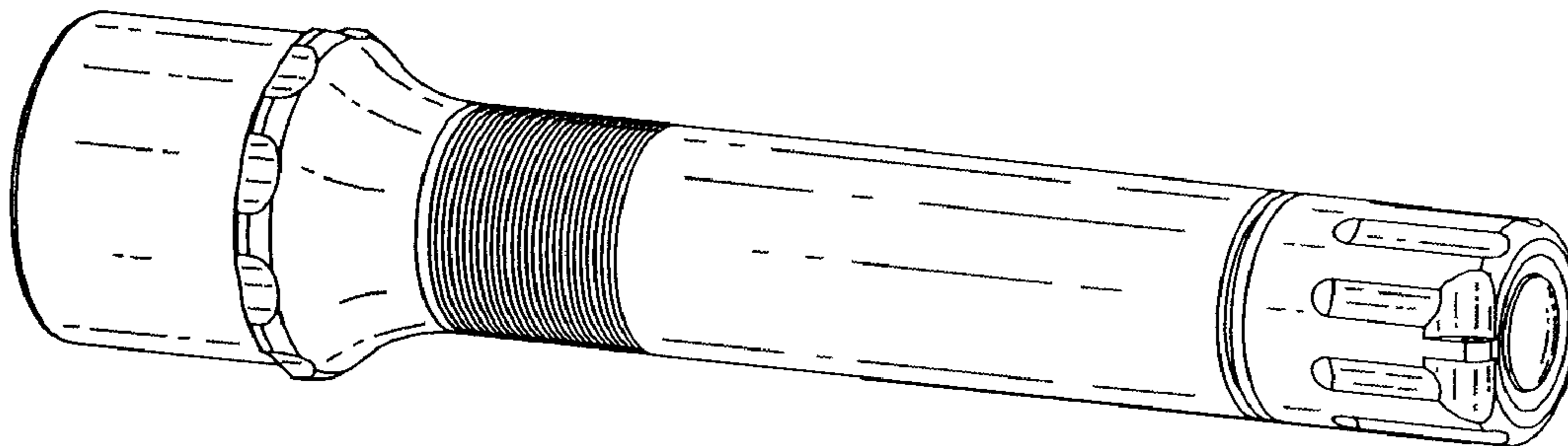


Fig.8