

US00D507362S

(12) **United States Design Patent**
Minami

(10) **Patent No.:** **US D507,362 S**
(45) **Date of Patent:** **** Jul. 12, 2005**

(54) **FRONT COMBINATION LAMP FOR AN AUTOMOBILE**

(75) **Inventor:** **Toshinobu Minami, Saitama (JP)**
(73) **Assignee:** **Honda Motor Co., Ltd, Tokyo (JP)**
(**) **Term:** **14 Years**

(21) **Appl. No.:** **29/213,748**
(22) **Filed:** **Sep. 23, 2004**

(30) **Foreign Application Priority Data**
Mar. 29, 2004 (JP) 2004-009446

(51) **LOC (8) Cl.** **26-04**
(52) **U.S. Cl.** **D26/28**
(58) **Field of Search** D26/28-36; 362/330-340,
362/457-468, 475-478, 485-487

(56) **References Cited**

U.S. PATENT DOCUMENTS

D483,134 S	*	12/2003	Shih	D26/28
D484,262 S	*	12/2003	Liao	D26/28
D485,923 S	*	1/2004	Kuo	D26/28
D490,171 S	*	5/2004	Hung	D26/28
D493,550 S	*	7/2004	Lin	D26/28

OTHER PUBLICATIONS

Notification of Refusal Reasons dated Dec. 10, 2004, with translation.

* cited by examiner

Primary Examiner—Marcus A. Jackson

(74) *Attorney, Agent, or Firm*—Westerman, Hattori, Daniels & Adrian, LLP

(57) **CLAIM**

The ornamental design for a front combination lamp for an automobile, as shown and described.

DESCRIPTION

FIG. 1 is a front elevation view of a front combination lamp for an automobile, showing our new design; FIG. 2 is a rear elevation view thereof; FIG. 3 is a top plan view thereof; FIG. 4 is a bottom plan view thereof; FIG. 5 is a right side elevation view thereof; FIG. 6 is a left side elevation view thereof; FIG. 7 is a perspective view thereof; and, FIG. 8 is another perspective view thereof.

1 Claim, 4 Drawing Sheets

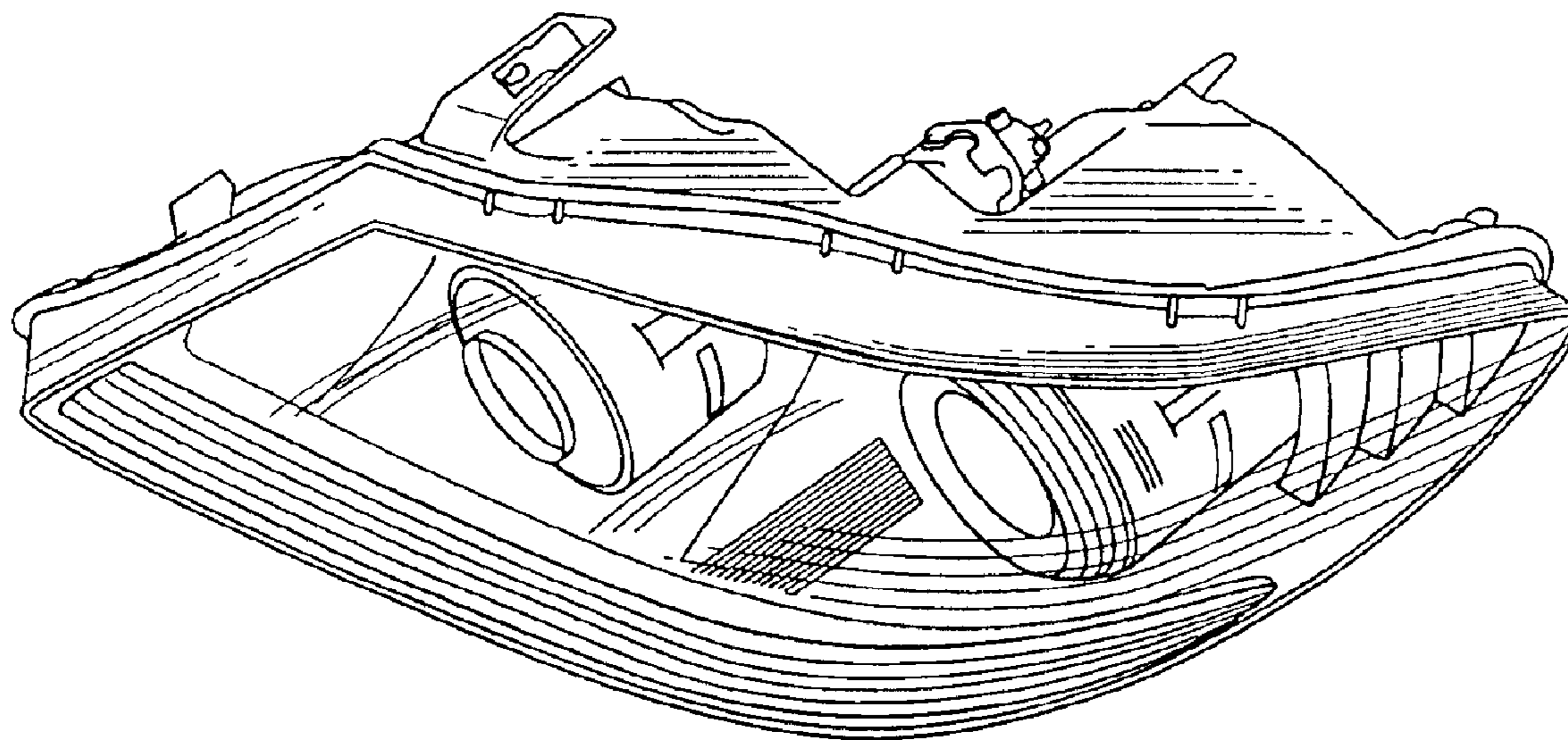


Fig. 1

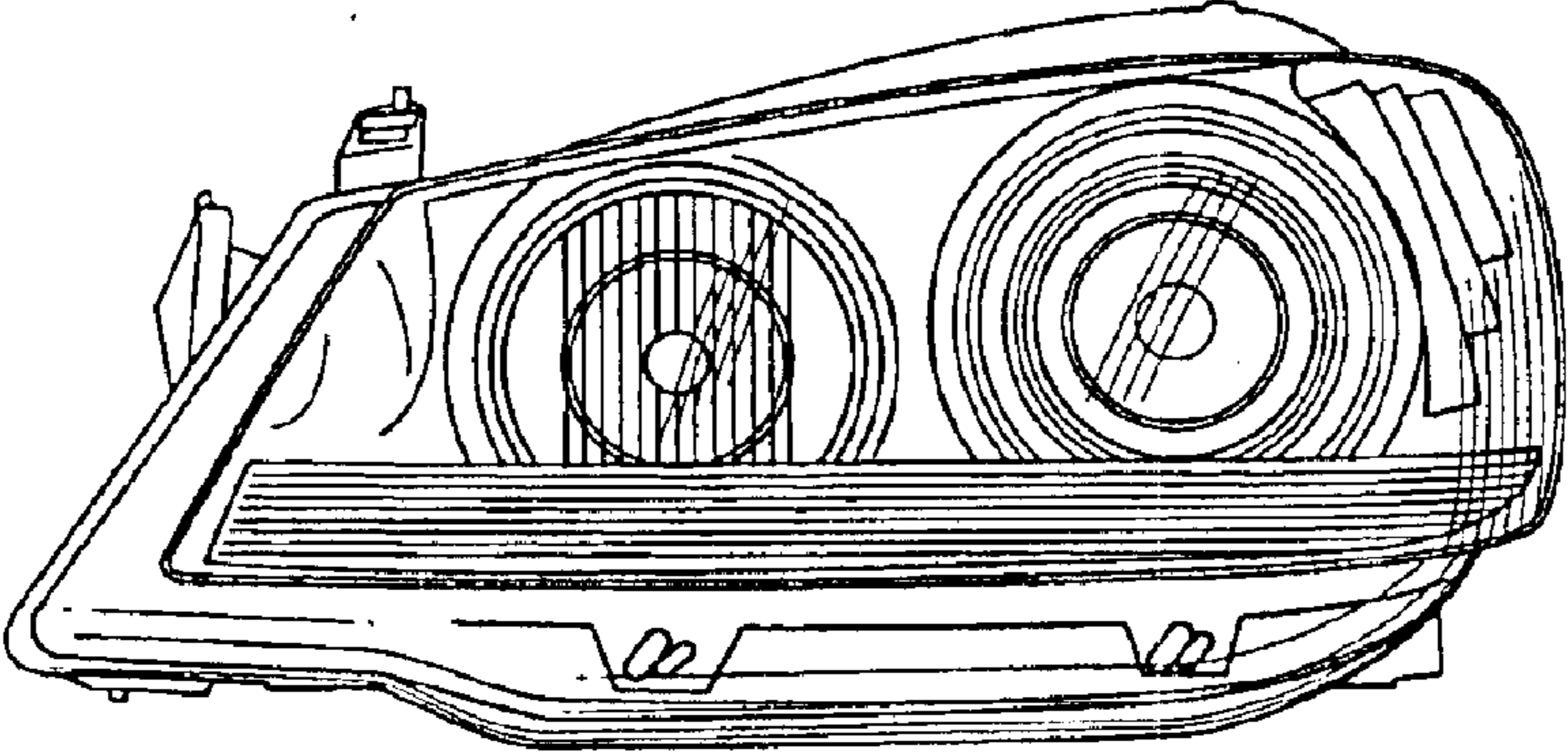


Fig. 2

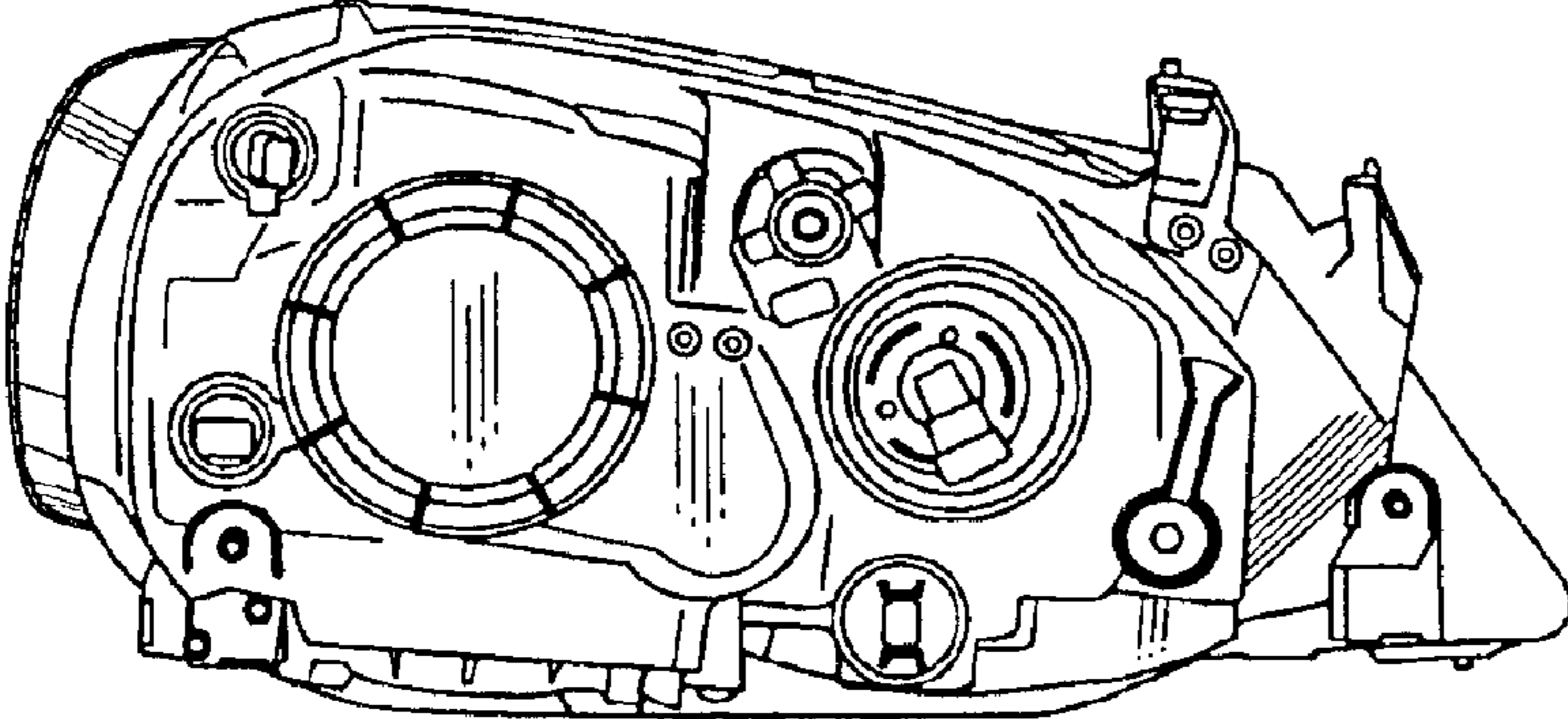


Fig.3

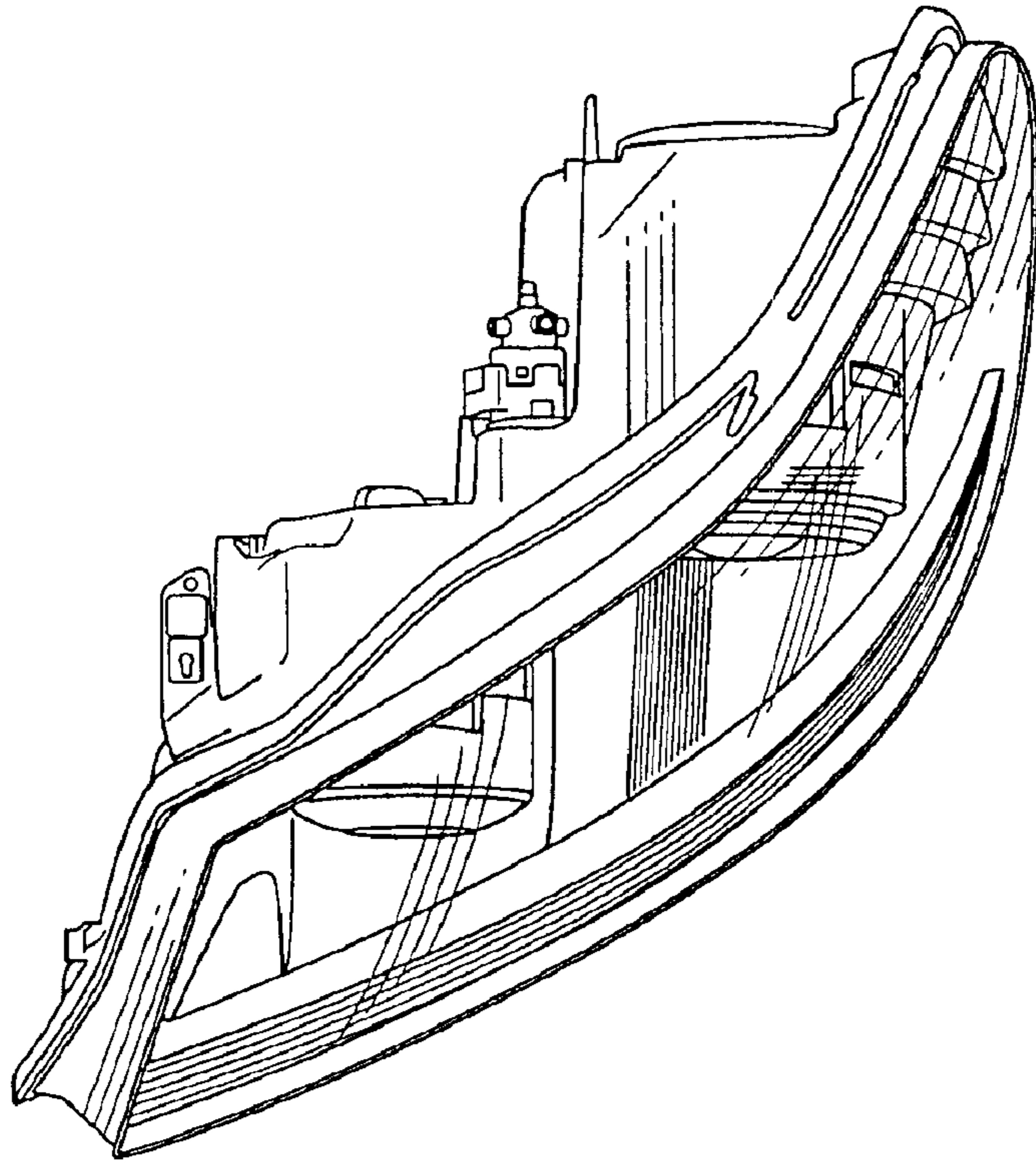


Fig.4

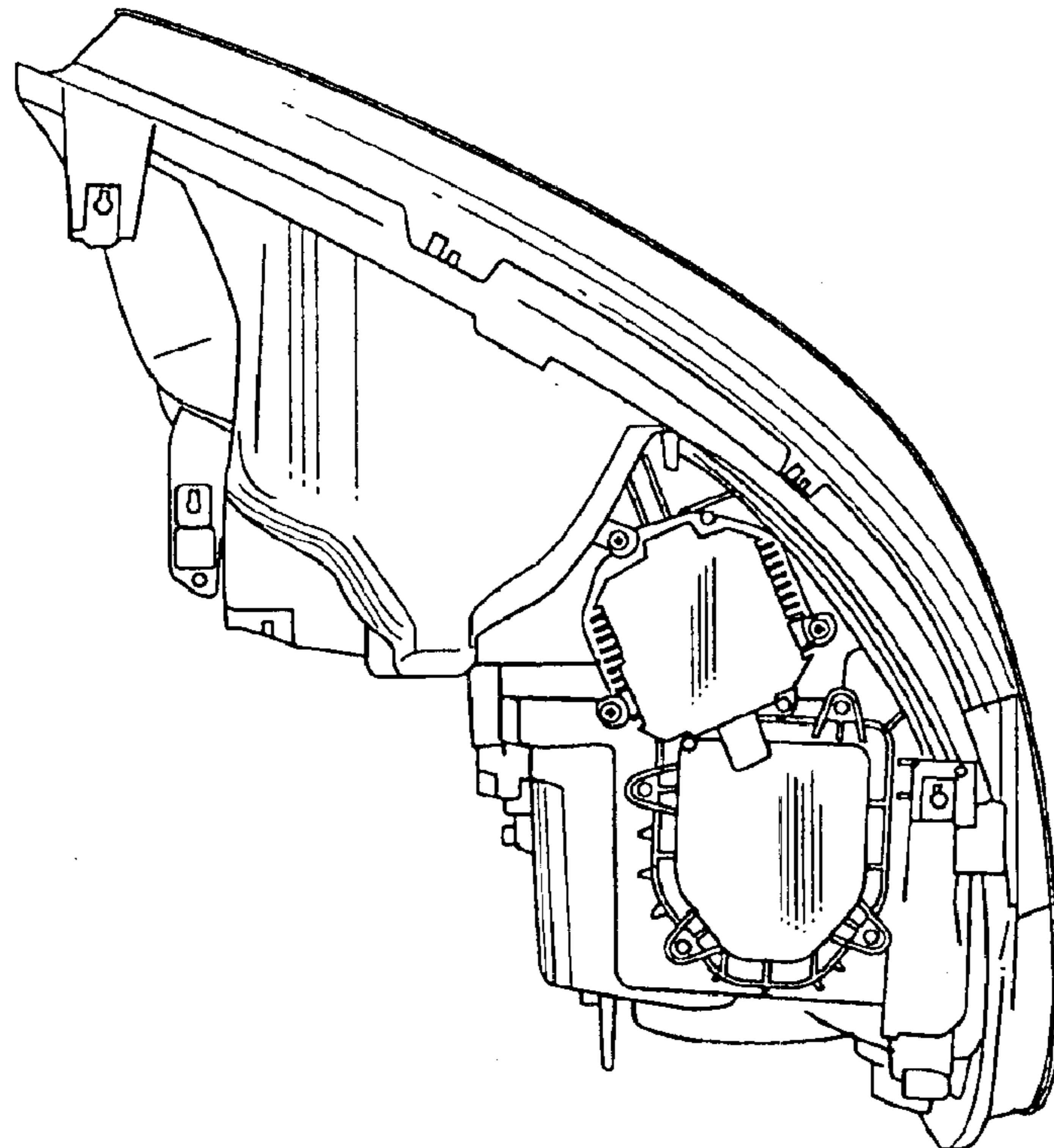


Fig.5

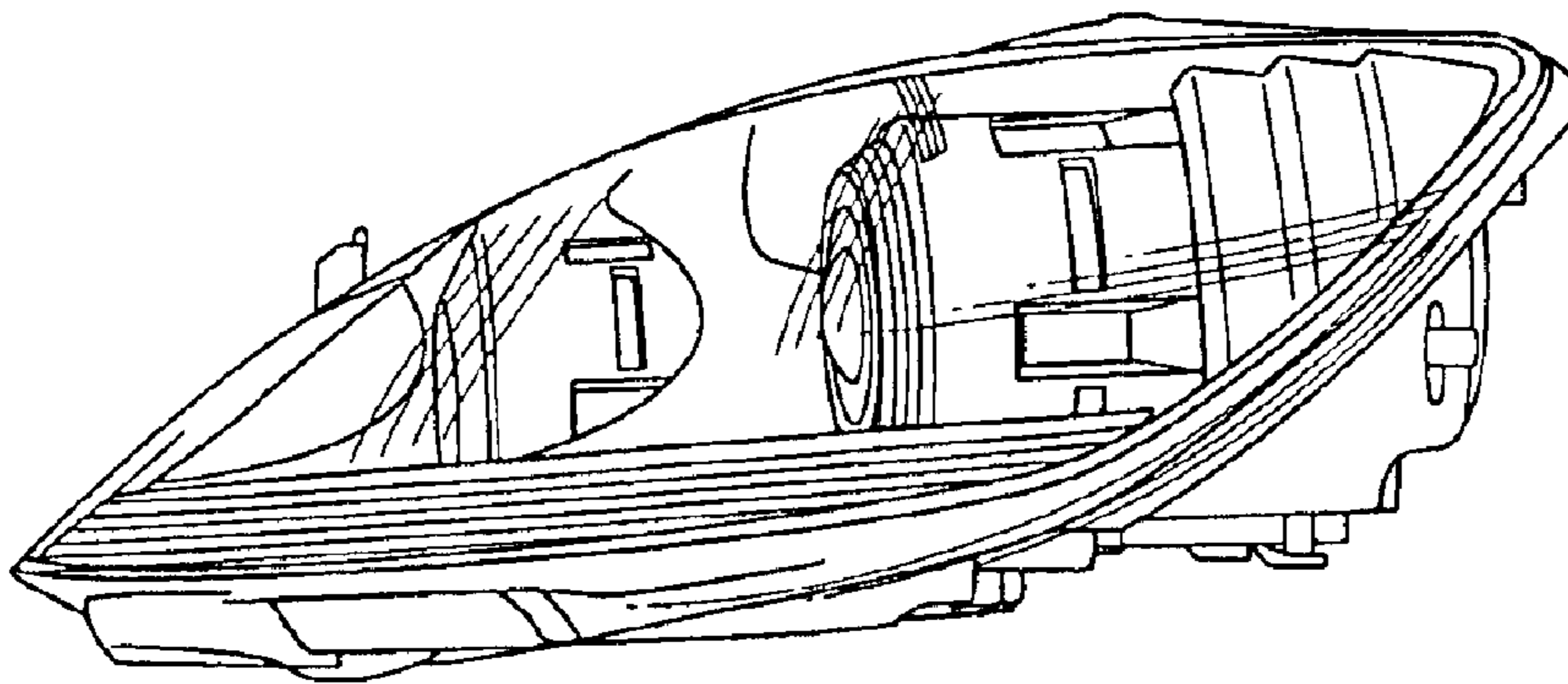


Fig.6

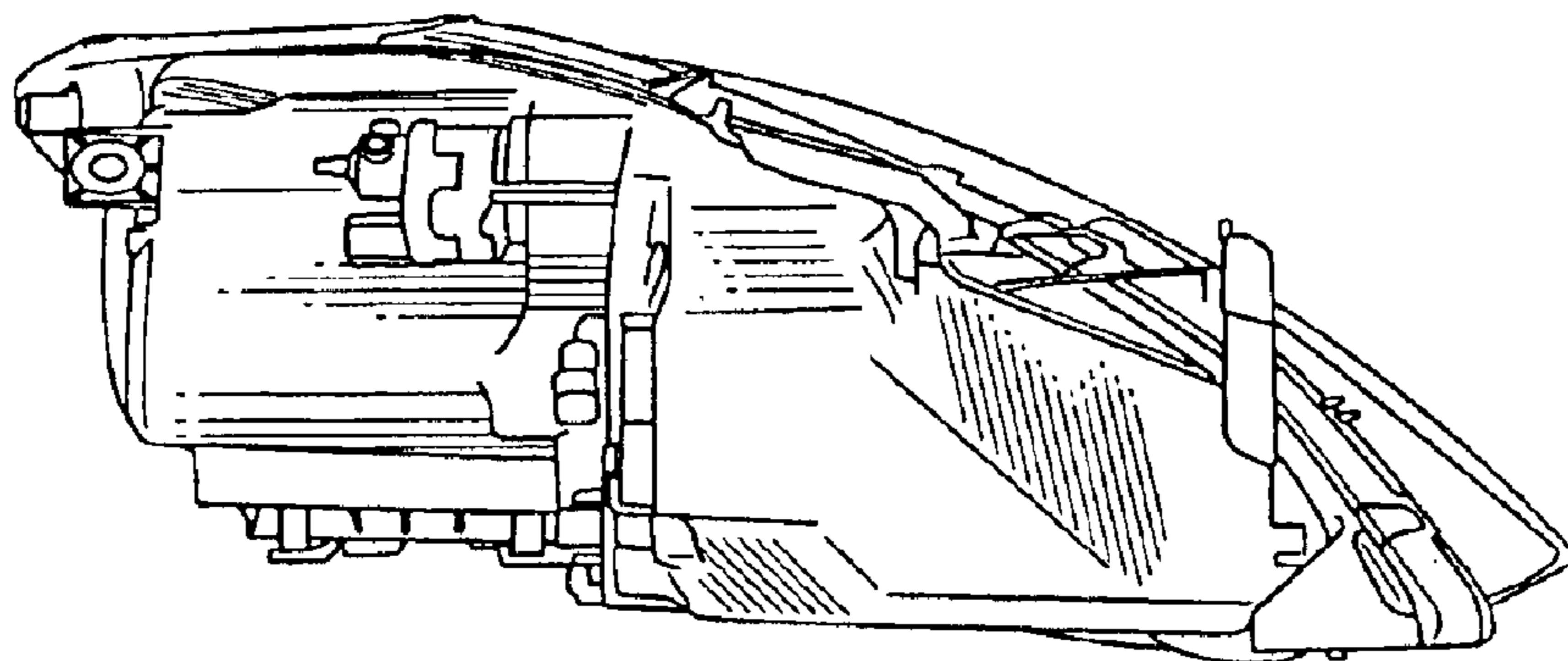


Fig. 7

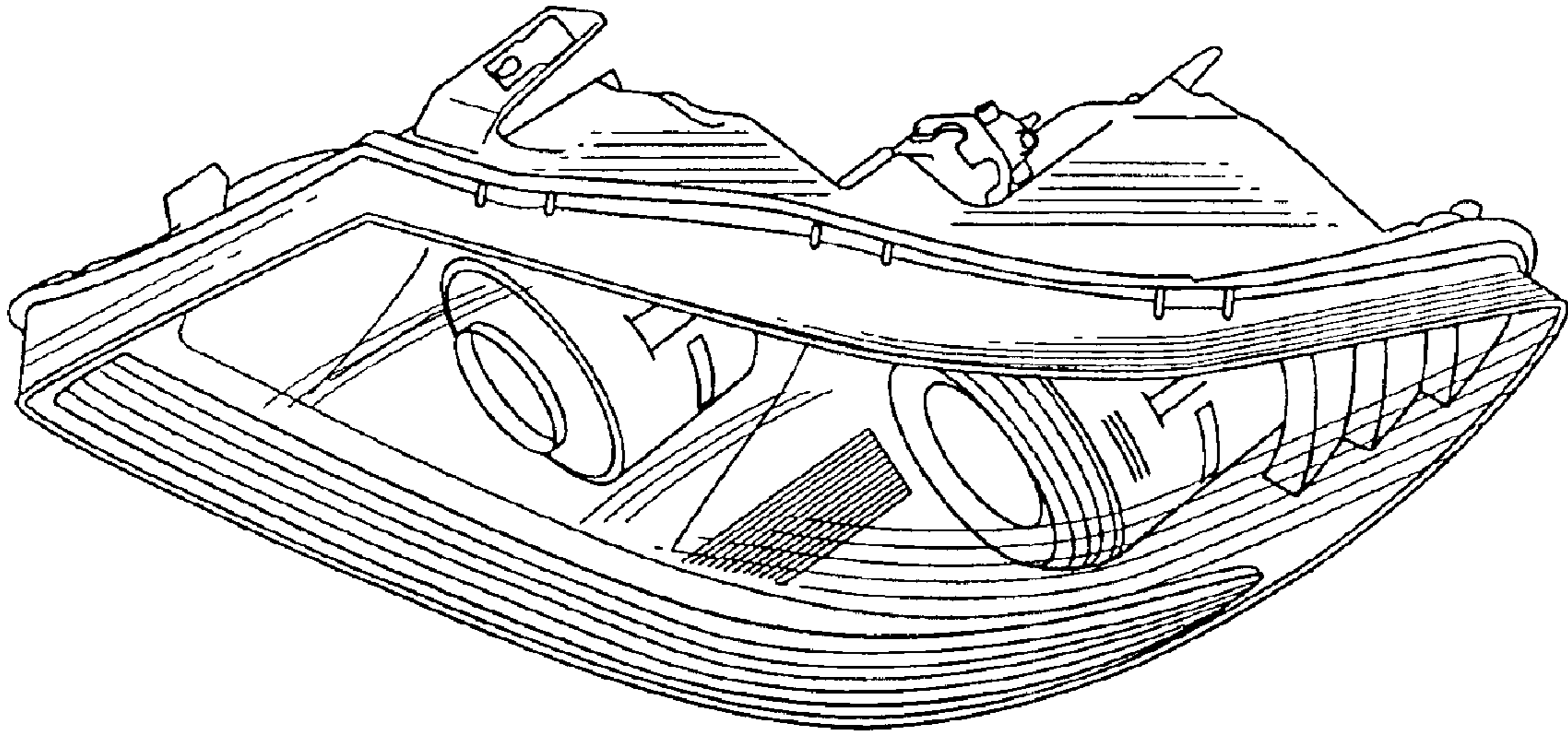


Fig. 8

