

US00D507360S

(12) **United States Design Patent**
Yuen

(10) **Patent No.:** **US D507,360 S**

(45) **Date of Patent:** **** *Jul. 12, 2005**

(54) **FLOWER SHAPE SOFT GLOW NIGHT LIGHT**

(75) **Inventor:** **John Se Kit Yuen, Kowloon (CN)**

(73) **Assignee:** **John Manufacturing Limited, Kowloon (CN)**

(*) **Notice:** This patent is subject to a terminal disclaimer.

(**) **Term:** **14 Years**

(21) **Appl. No.:** **29/177,318**

(22) **Filed:** **Mar. 6, 2003**

(51) **LOC (8) Cl. 26-05**

(52) **U.S. Cl. D26/26; D26/73**

(58) **Field of Search D26/26, 73, 4, D26/32, 47, 127, 126; 362/226, 95, 806, 807, 122, 276, 282**

(56) **References Cited**

U.S. PATENT DOCUMENTS

1,632,850 A *	6/1927	Raymond	D26/26
D74,749 S *	3/1928	Kadel	D26/4
2,296,746 A *	9/1942	Snyder et al.	D11/125
D196,254 S *	9/1963	Dwyer et al.	D26/127
D226,972 S *	5/1973	Schwartz	D26/26
D231,253 S *	4/1974	Klassen	D26/26
4,344,116 A *	8/1982	Martin	362/226
D381,444 S *	7/1997	Yuen	D26/26
5,863,109 A *	1/1999	Hsieh	362/806
D470,612 S *	2/2003	Kit	D26/26
D470,621 S *	2/2003	Cheng	D26/127

OTHER PUBLICATIONS

Taiwan Lighting No. 57; Aug. 1999; p. 205; item # NLH-803.*

* cited by examiner

Primary Examiner—Clare E. Heflin

(74) *Attorney, Agent, or Firm*—Alix, Yale & Ristas, LLP

(57) **CLAIM**

The ornamental design for a flower shape soft glow night light, as shown and described.

DESCRIPTION

FIG. 1 is a frontal perspective view of the flower shape soft glow night light showing my new design;

FIG. 2 is a rear perspective view of the flower shape soft glow night light of FIG. 1;

FIG. 3 is a front view of the flower shape soft glow night light of FIG. 1;

FIG. 4 is a right side view of the flower shape soft glow night light of FIG. 1;

FIG. 5 is a left side view of the flower shape soft glow night light of FIG. 1;

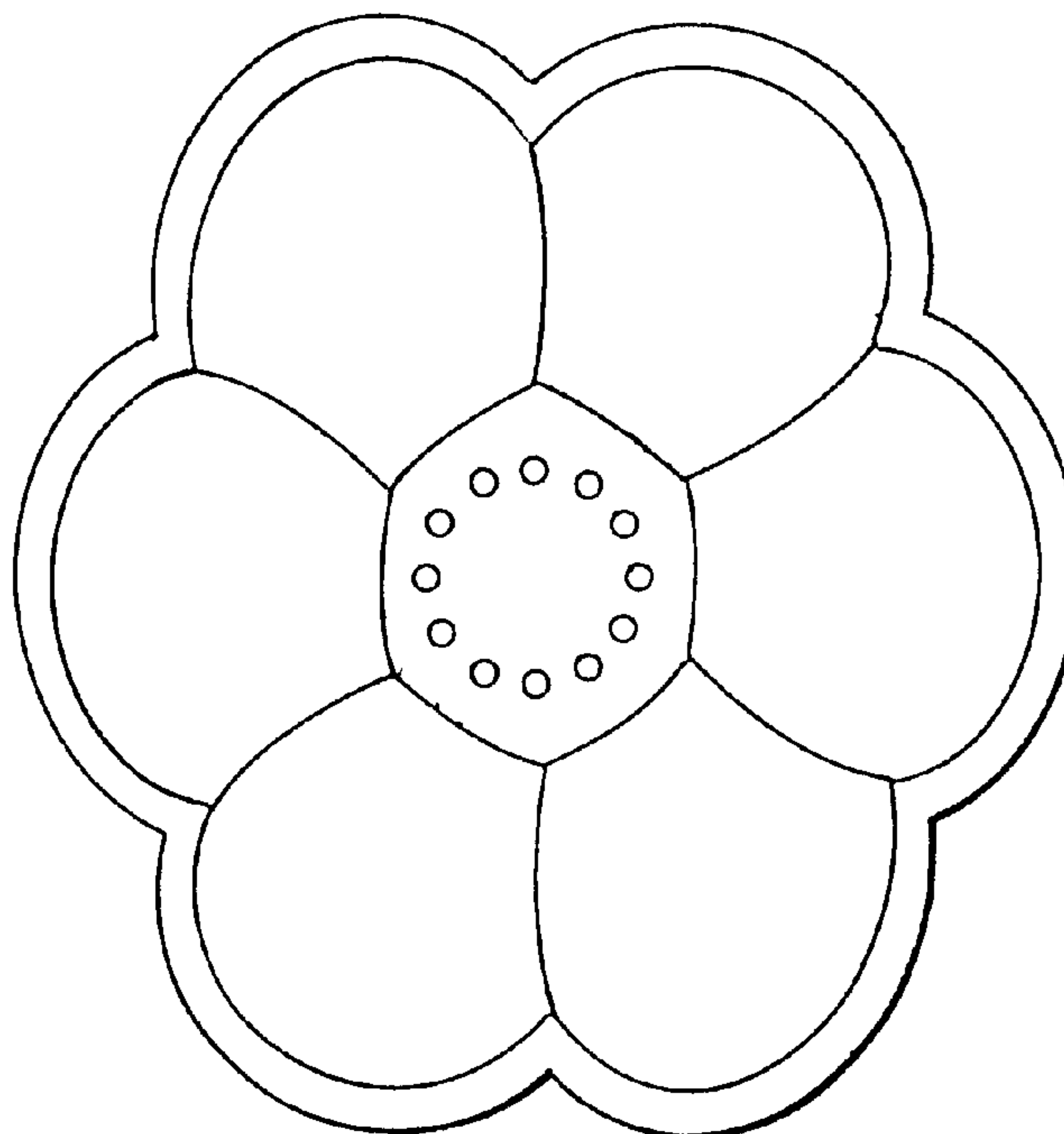
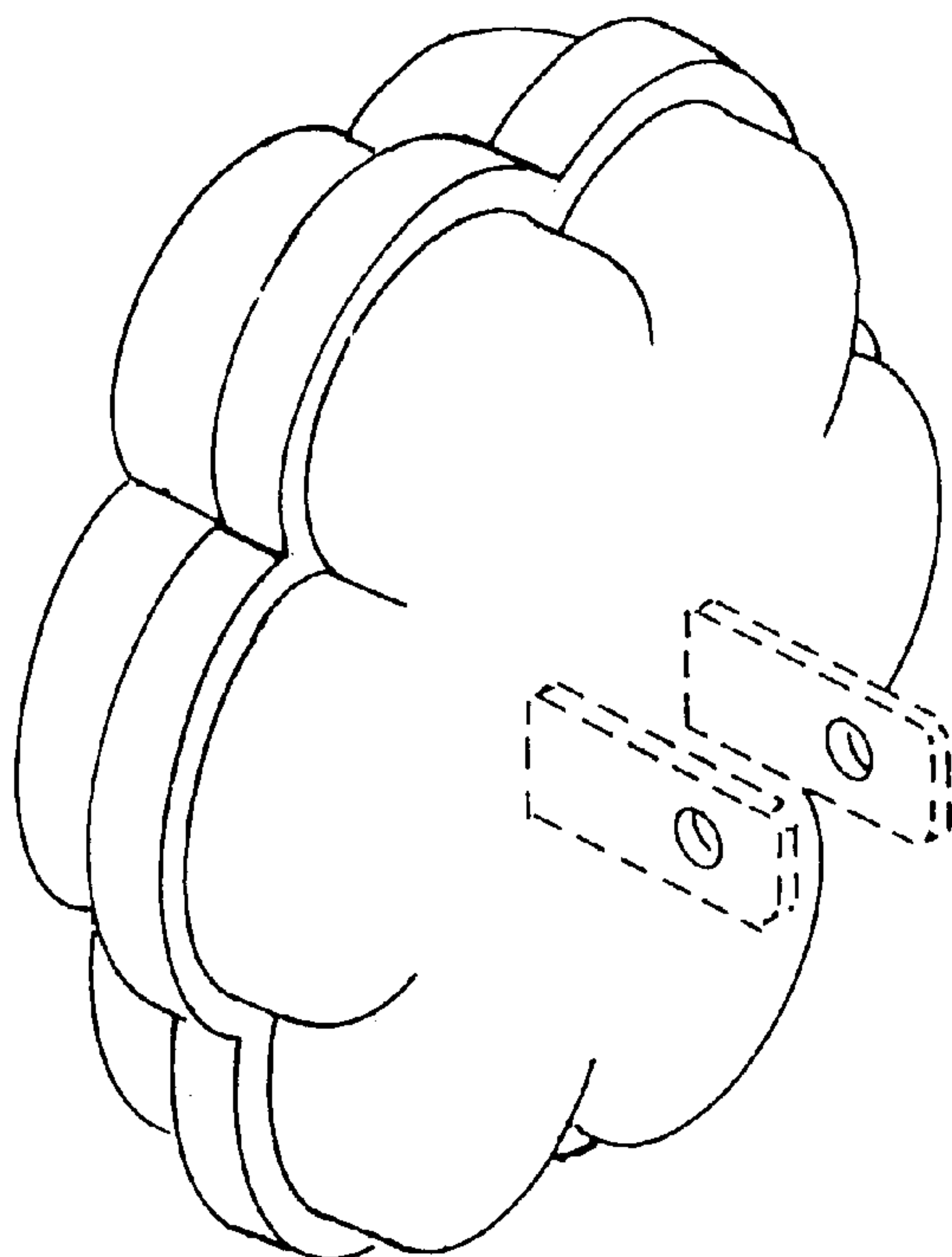
FIG. 6 is a rear view of the flower shape soft glow night light of FIG. 1;

FIG. 7 is a top plan view of the flower shape soft glow night light of FIG. 1; and,

FIG. 8 is a bottom plan view of the flower shape soft glow night light of FIG. 1.

No claim is made to plug portions of the flower shape soft glow night light which are shown in broken lines.

1 Claim, 2 Drawing Sheets



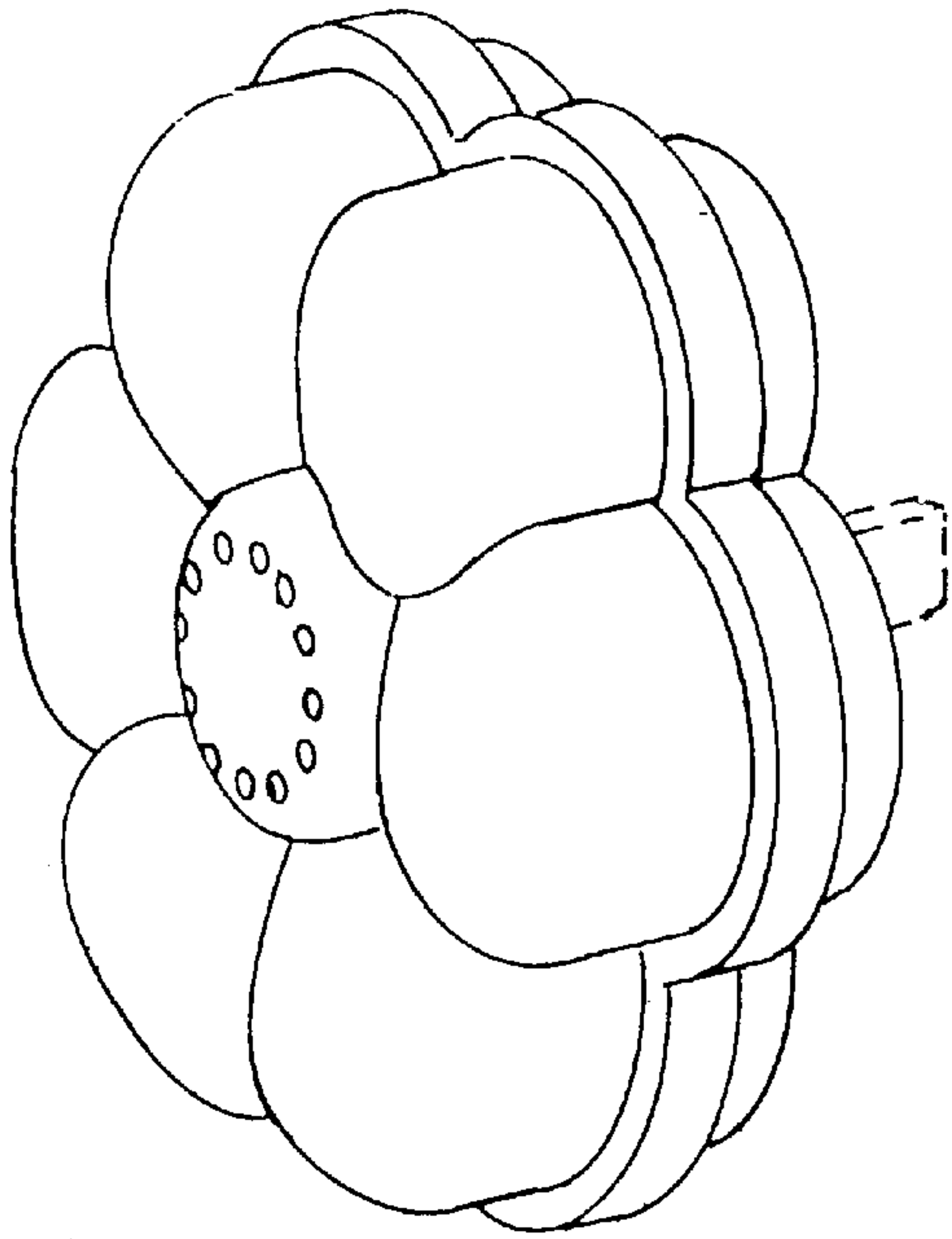


FIG. 1

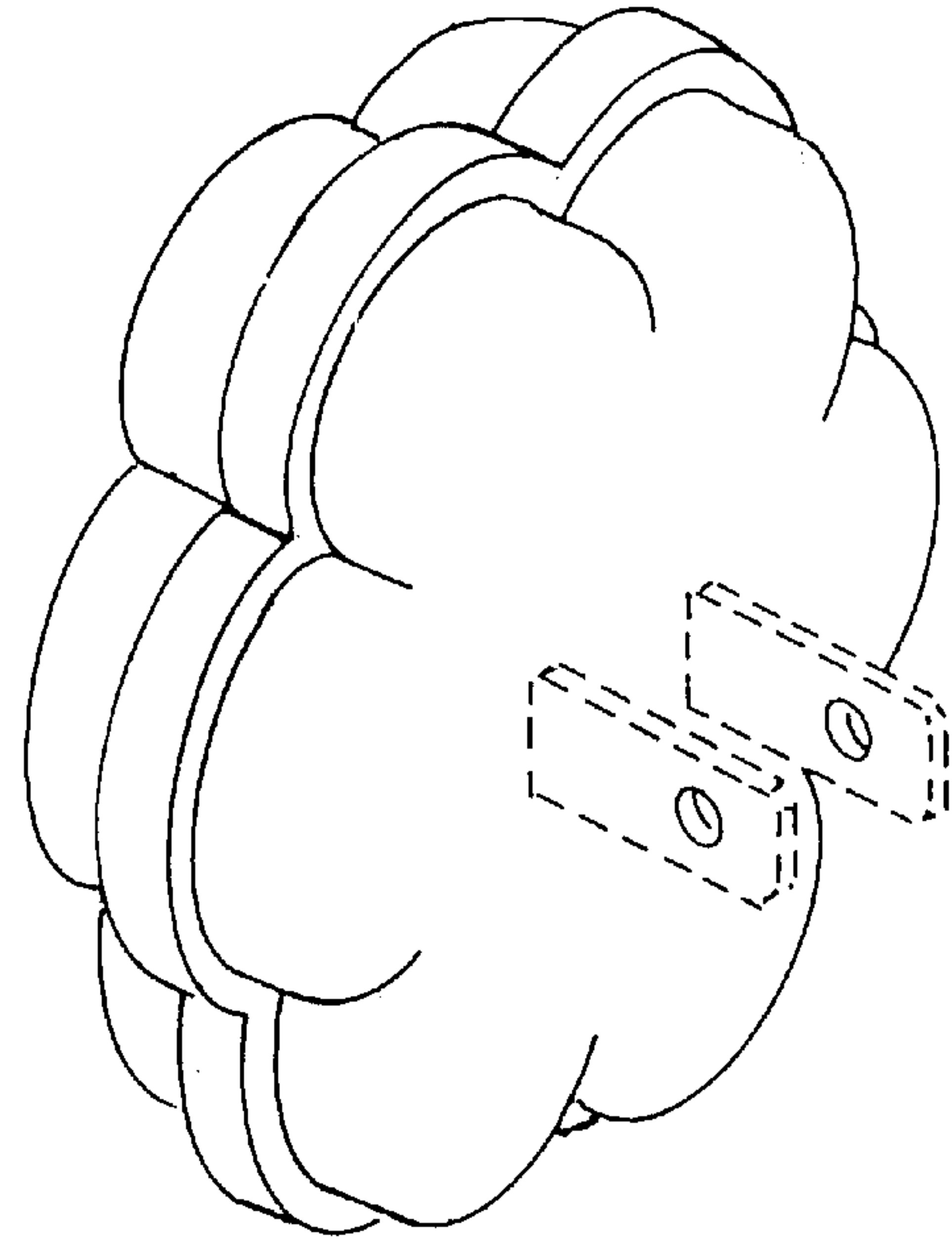


FIG. 2

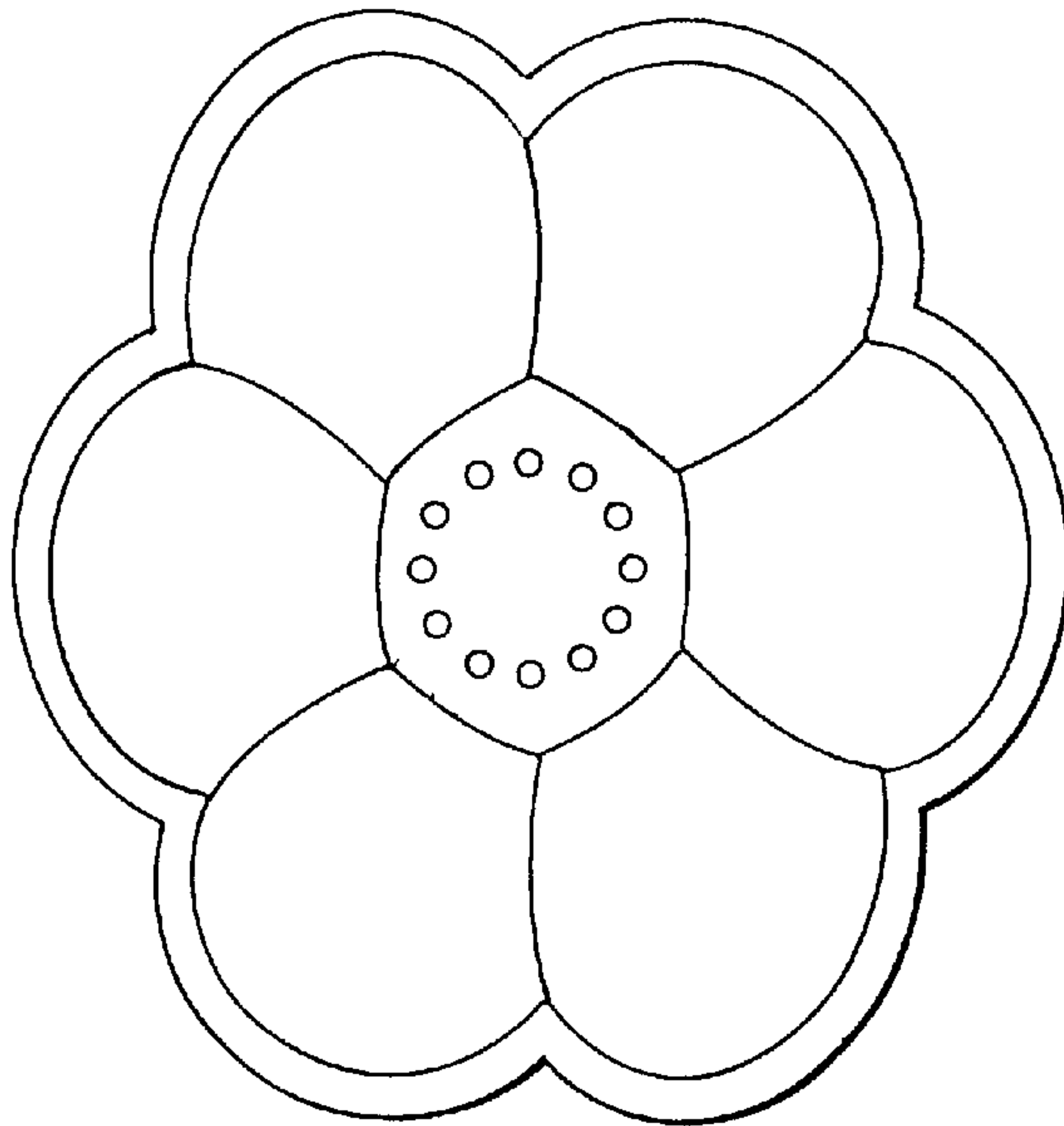


FIG. 3

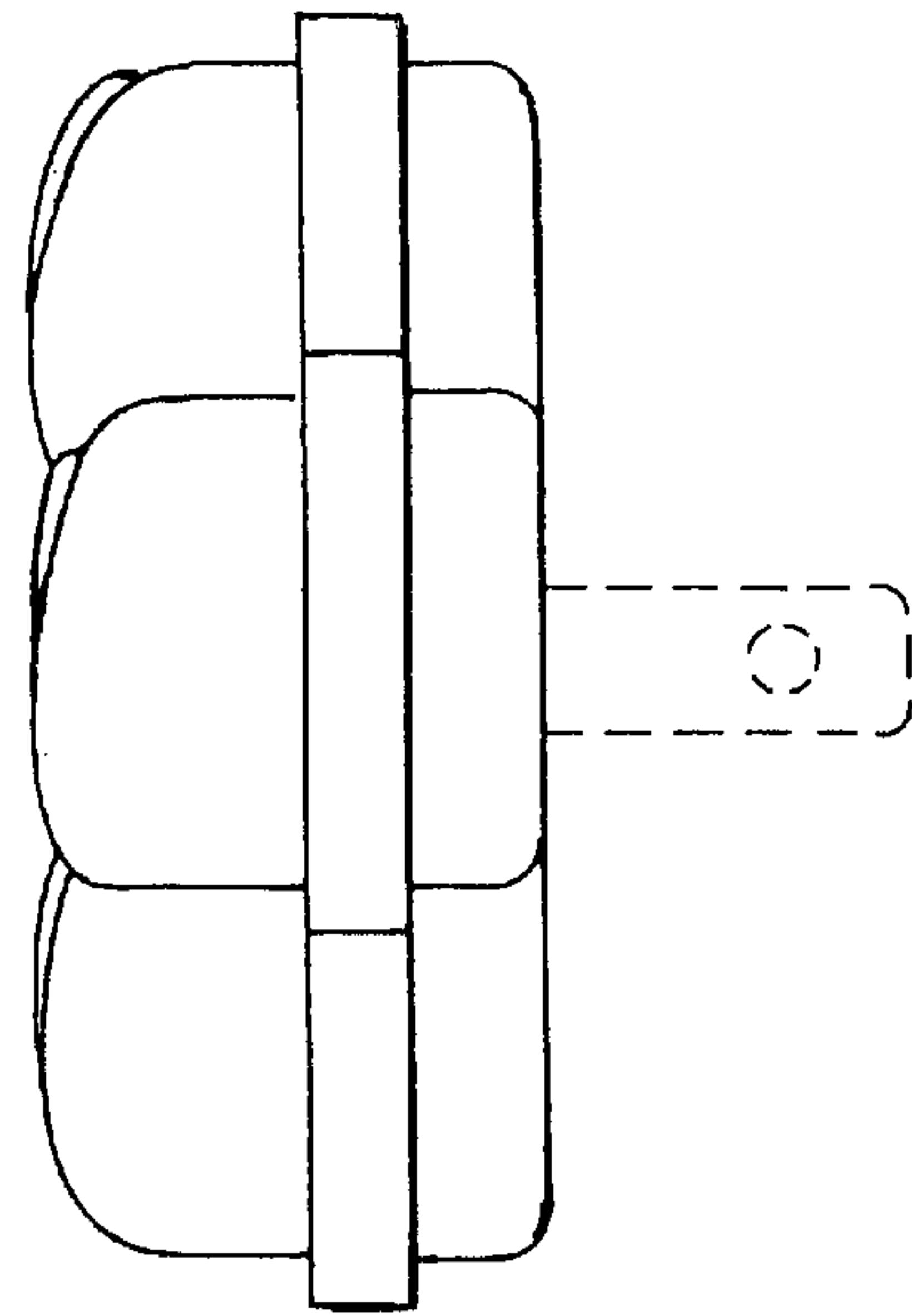


FIG. 4

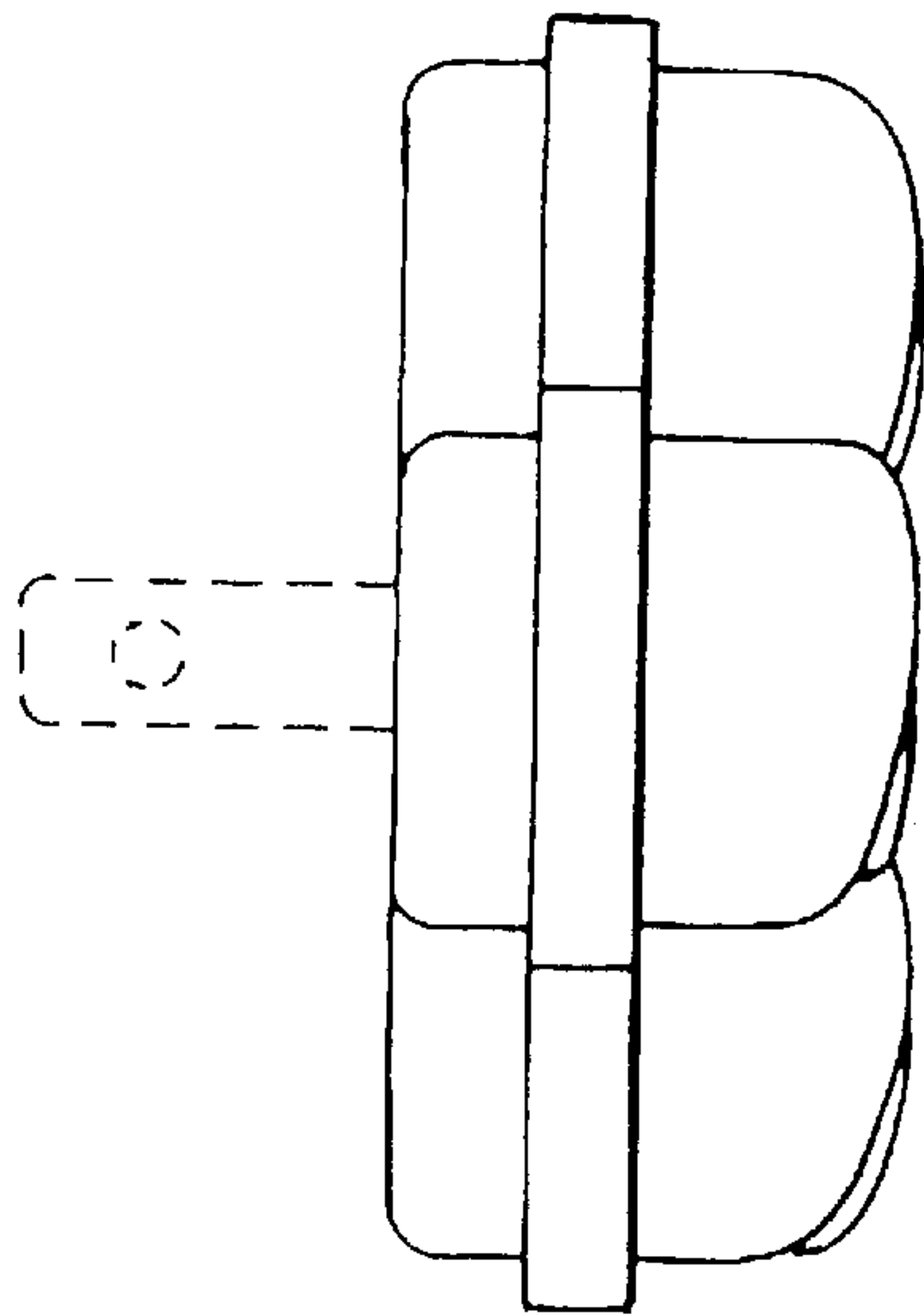


FIG. 5

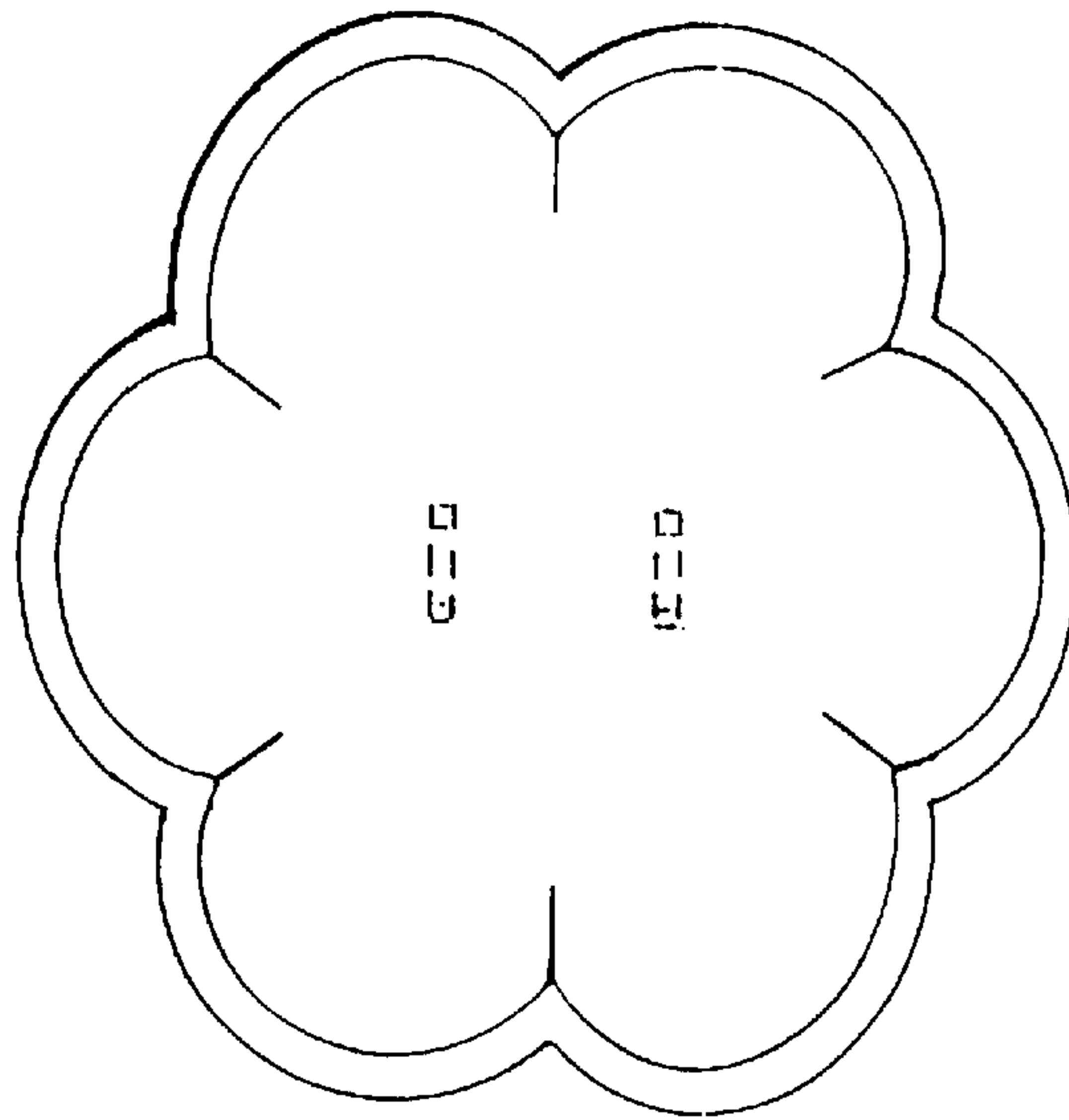


FIG. 6

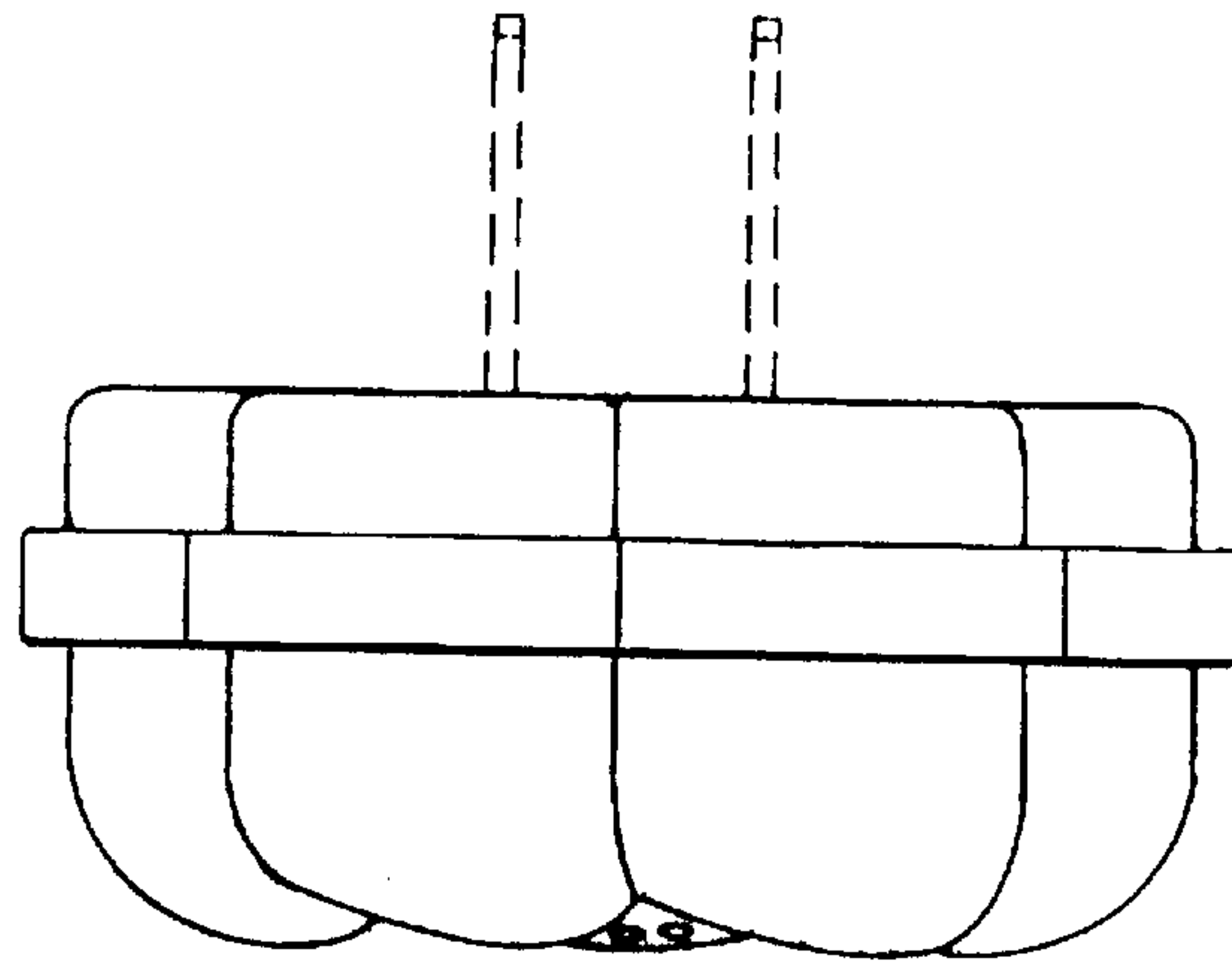


FIG. 7

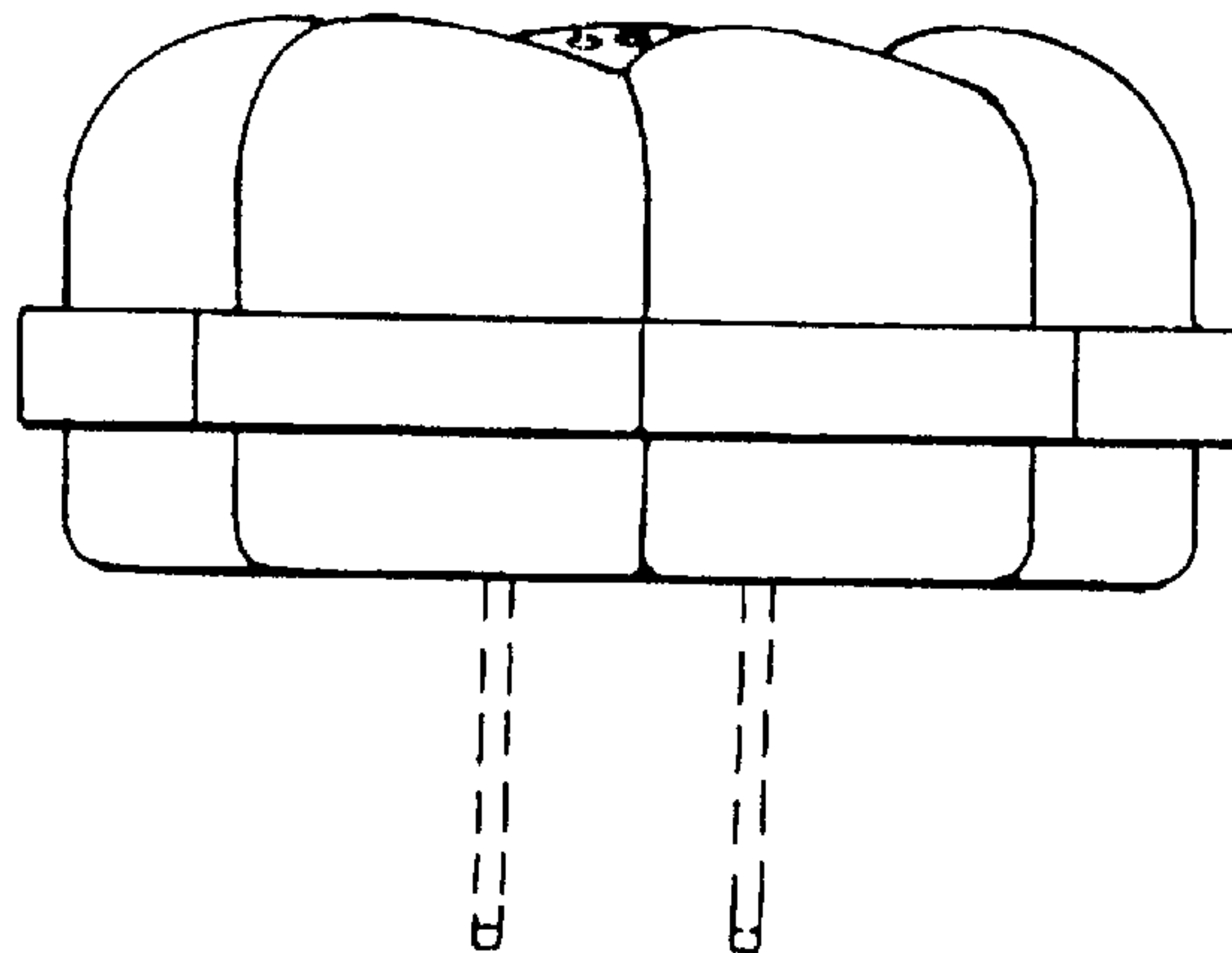


FIG. 8