



US00D507357S

(12) **United States Design Patent**
Franson

(10) **Patent No.:** **US D507,357 S**

(45) **Date of Patent:** **** Jul. 12, 2005**

(54) **WINDOW COMPONENT EXTRUSION**

D407,505 S * 3/1999 Hersh et al. D25/124

(75) **Inventor:** **Jeffrey R. Franson**, Maple Valley, WA
(US)

* cited by examiner

(73) **Assignee:** **Mikron Industries, Inc.**, Kent, WA
(US)

Primary Examiner—Doris Clark

(74) *Attorney, Agent, or Firm*—Black Lowe & Graham
PLLC

(**) **Term:** **14 Years**

(57) **CLAIM**

(21) **Appl. No.:** **29/212,753**

The ornamental design for a window component extrusion,
as shown and described.

(22) **Filed:** **Sep. 8, 2004**

DESCRIPTION

(51) **LOC (8) Cl.** **25-01**

(52) **U.S. Cl.** **D25/124**

(58) **Field of Search** D25/124, 125;
52/204.1, 204.5; 49/DIG. 2, 501

FIG. 1 is a top right perspective view of the window
component extrusion which is broken in the center indicat-
ing indefinite length; and,

FIG. 2 is a bottom left perspective view of the window
component extrusion shown in FIG. 1.

(56) **References Cited**

U.S. PATENT DOCUMENTS

D336,143 S 6/1993 Cole

1 Claim, 1 Drawing Sheet

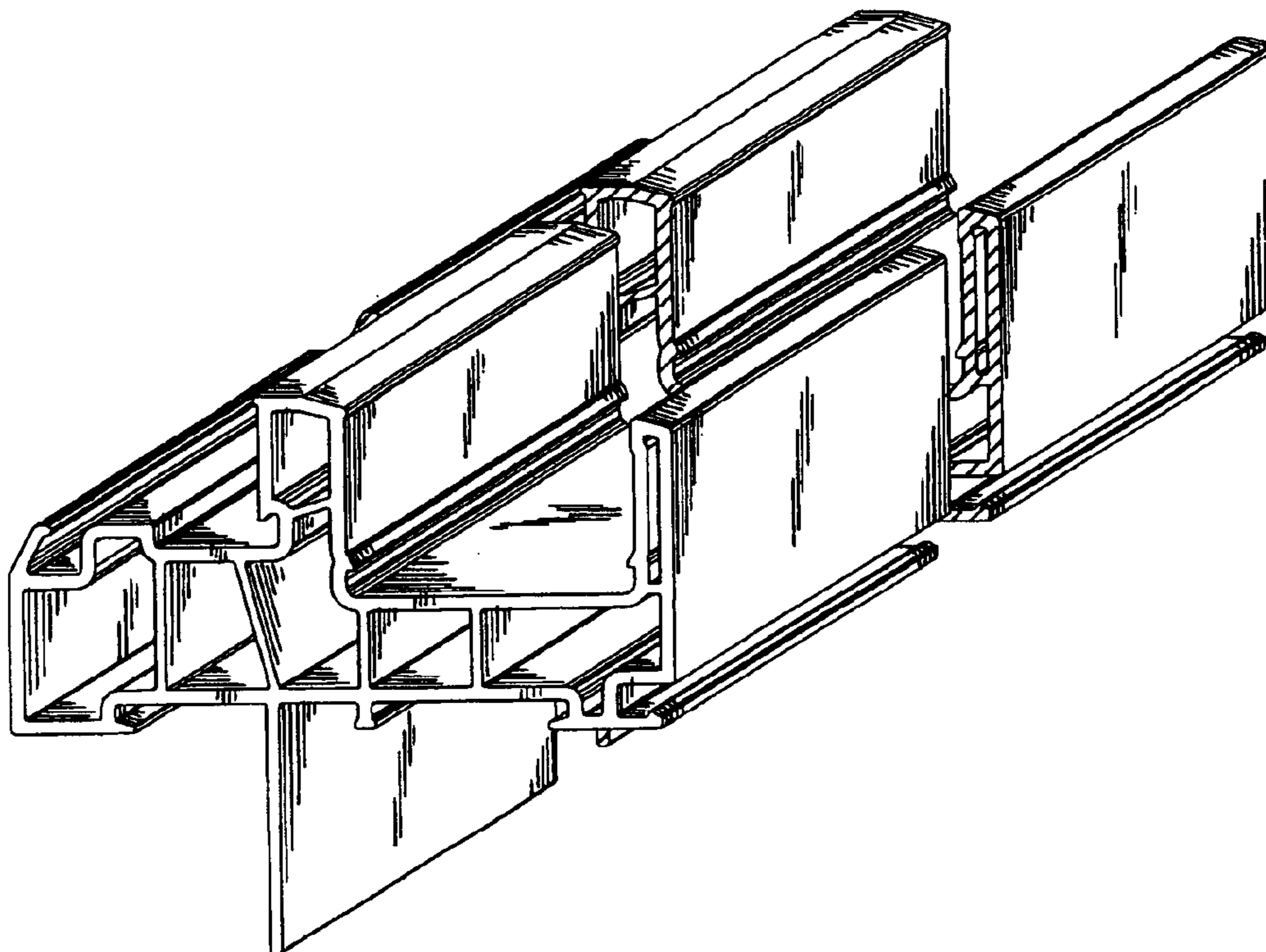


FIG.1

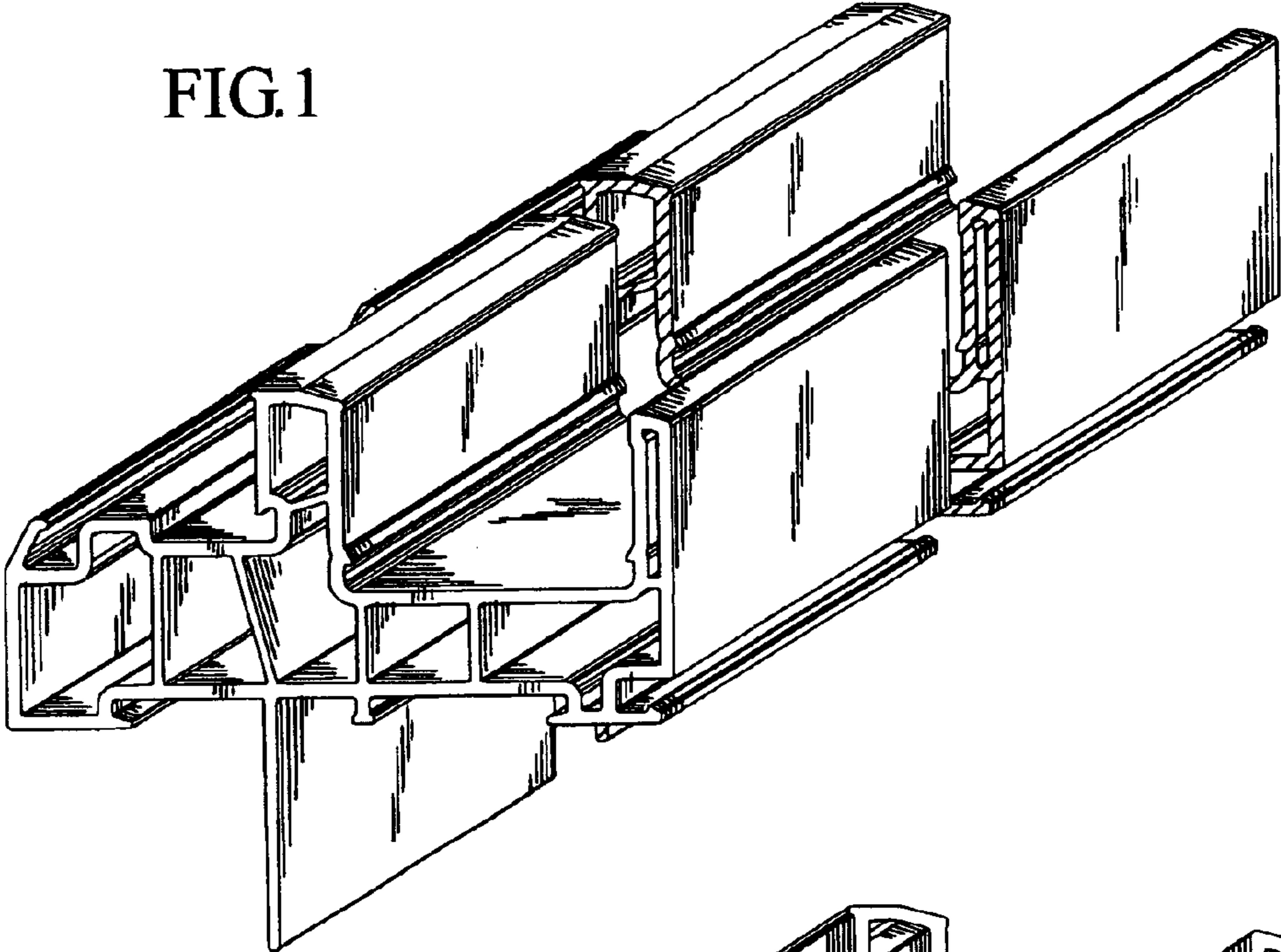


FIG.2

