



US00D507356S

(12) **United States Design Patent**
Jarrell

(10) **Patent No.:** **US D507,356 S**
(45) **Date of Patent:** **** Jul. 12, 2005**

(54) **WINDOW COMPONENT EXTRUSION**

(75) Inventor: **Robert B. Jarrell**, Seattle, WA (US)

(73) Assignee: **Mikron Industries, Inc.**, Kent, WA (US)

(**) Term: **14 Years**

(21) Appl. No.: **29/061,717**

(22) Filed: **Oct. 29, 1996**

(51) **LOC (8) Cl.** **25-01**

(52) **U.S. Cl.** **D25/124**

(58) **Field of Search** D25/124, 125,
D25/60, 52; 52/204.1, 204.51, 230.3, 205.1,
202, 730.5, 731, 738, 732, 204.5; 49/DIG. 2,
504, 505, 407, 408

(56) **References Cited**

U.S. PATENT DOCUMENTS

D353,895 S * 12/1994 Dellaire et al. D25/124

OTHER PUBLICATIONS

Window Component Extrusion 7132, Mikron Industries, Inc. Sold Sep. 28, 1995.

Window Component Extrusion 7205, Mikron Industries, Inc. Sold Oct. 13, 1995.

* cited by examiner

Primary Examiner—Doris Clark

(74) *Attorney, Agent, or Firm*—Black Lowe & Graham PLLC

(57) **CLAIM**

The ornamental design for a window component extrusion, as shown and described.

DESCRIPTION

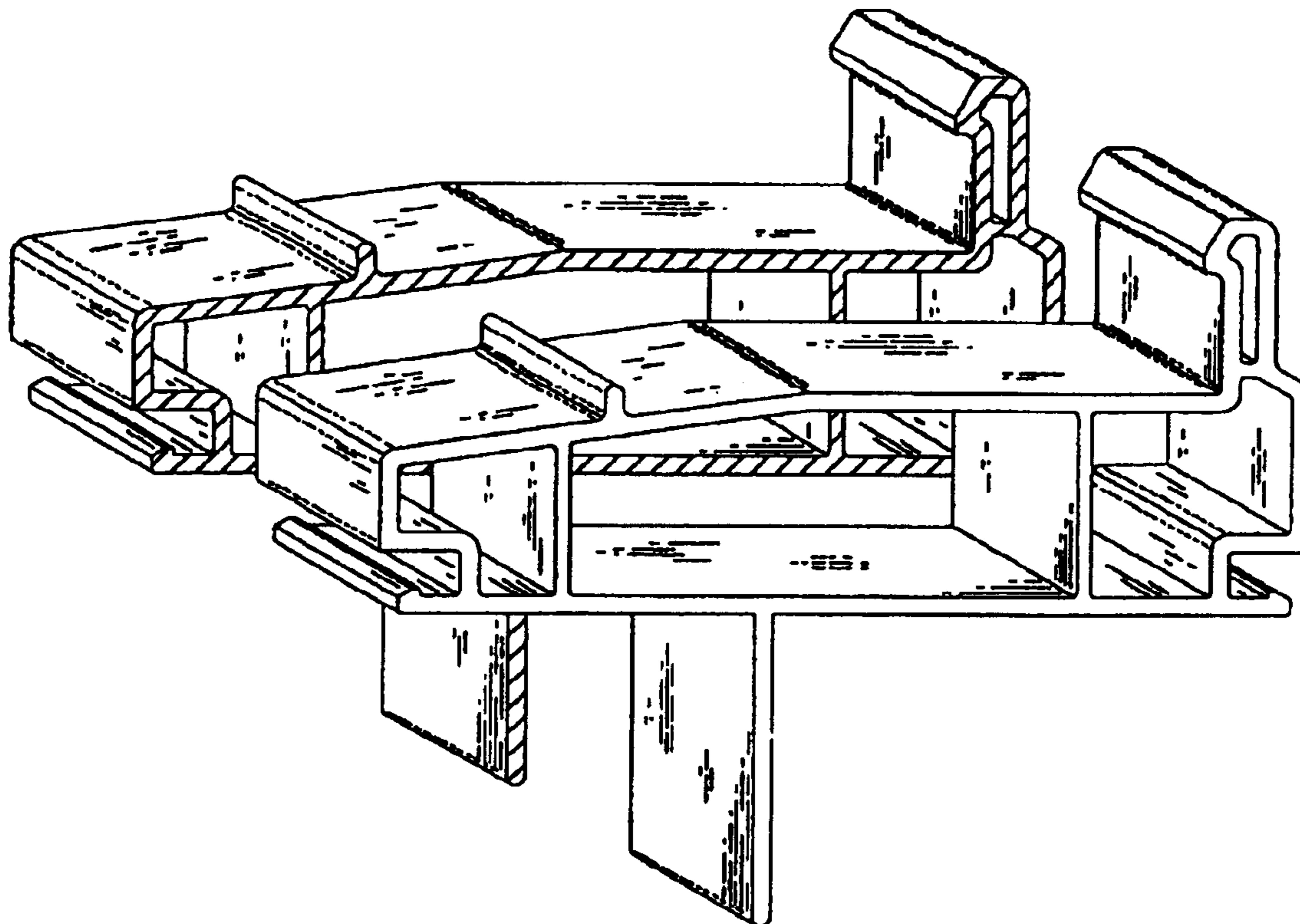
FIG. 1 is a top right perspective view of the window component extrusion being of indefinite length.

FIG. 2 is a bottom left perspective view of the window component extrusion shown in FIG. 1.

FIG. 3 is a top right perspective view of a second embodiment of the window component extrusion being of indefinite length; and,

FIG. 4 is a bottom left perspective view of the window component extrusion shown in FIG. 3.

1 Claim, 2 Drawing Sheets



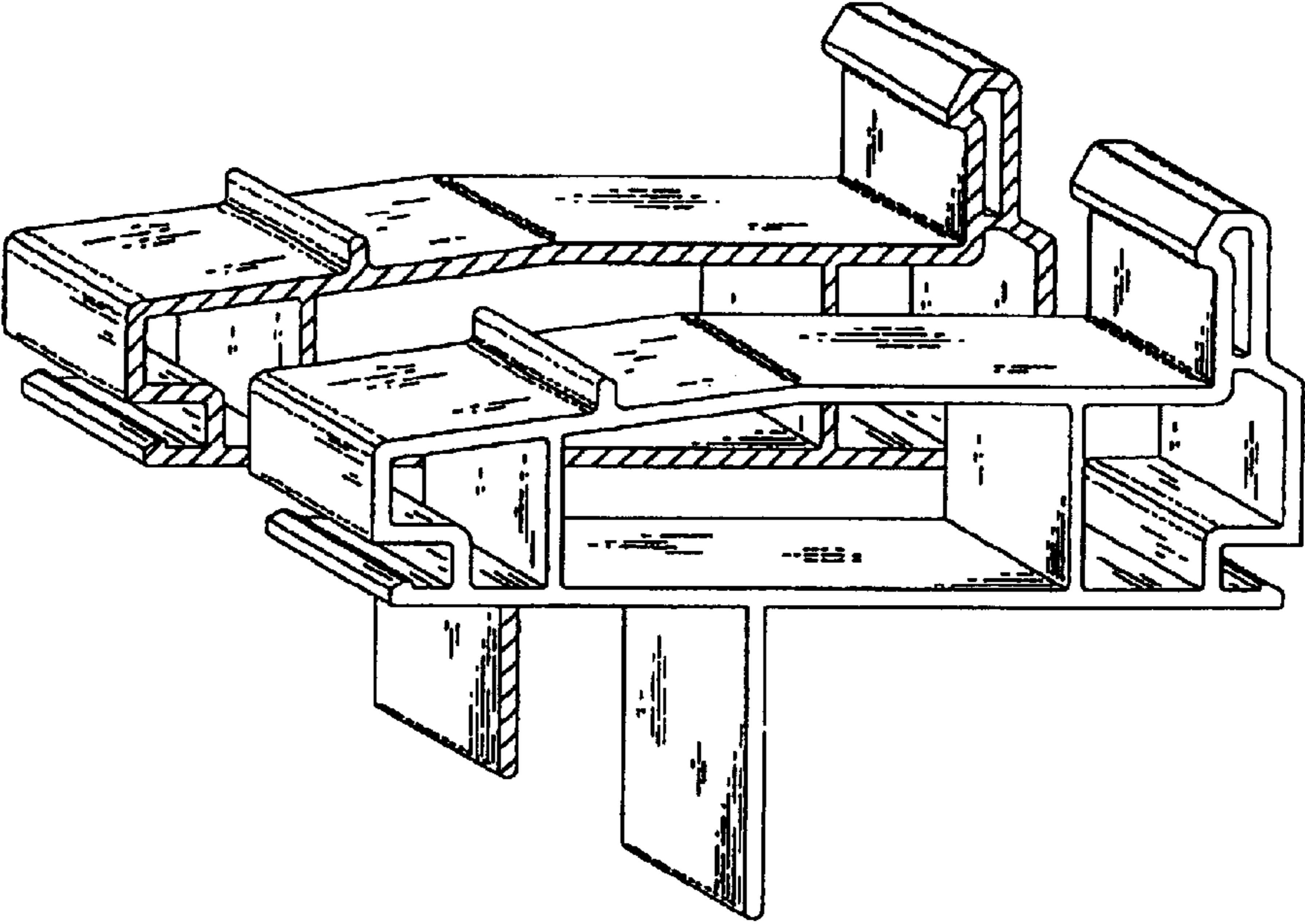


FIG. 1

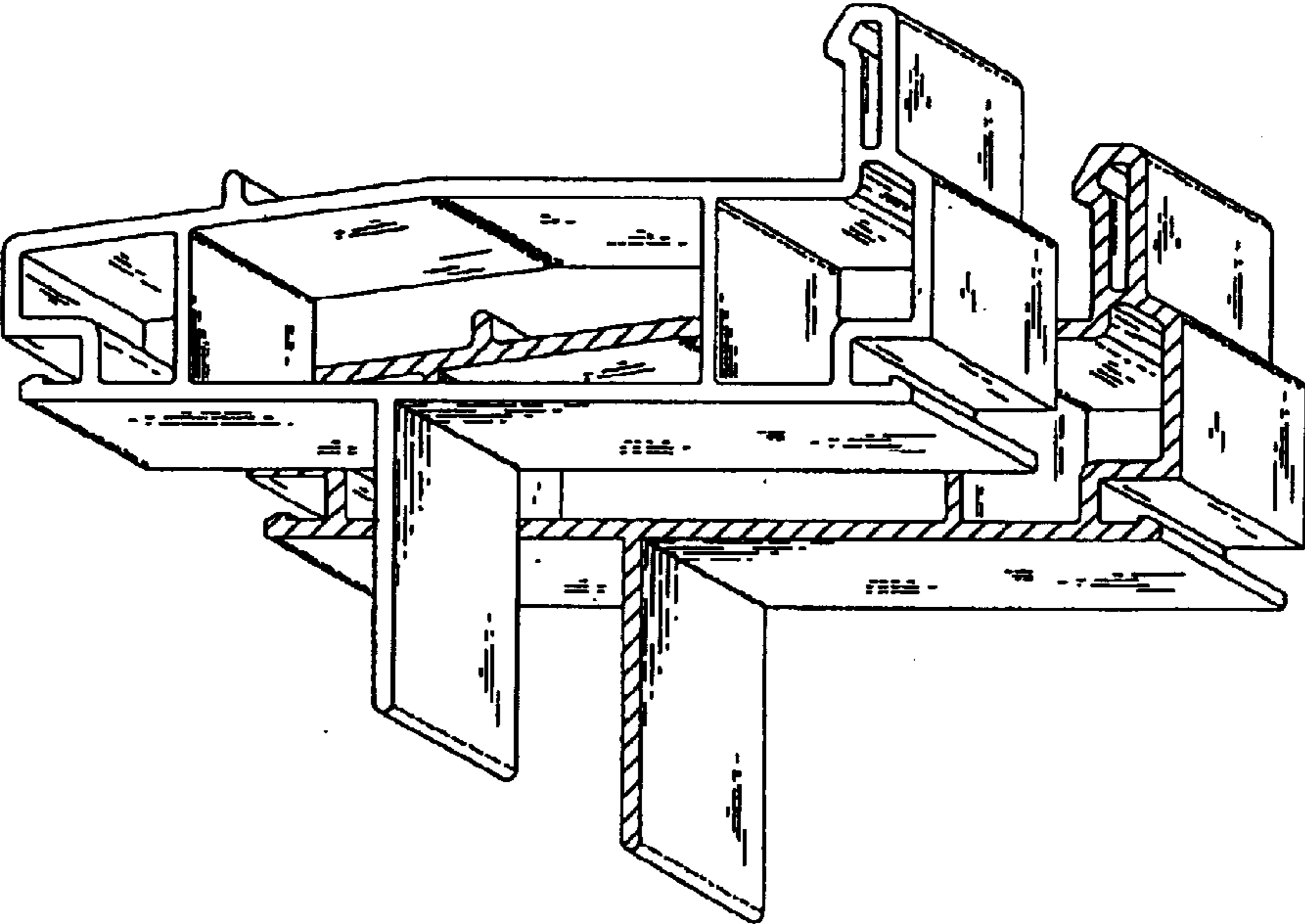


FIG. 2

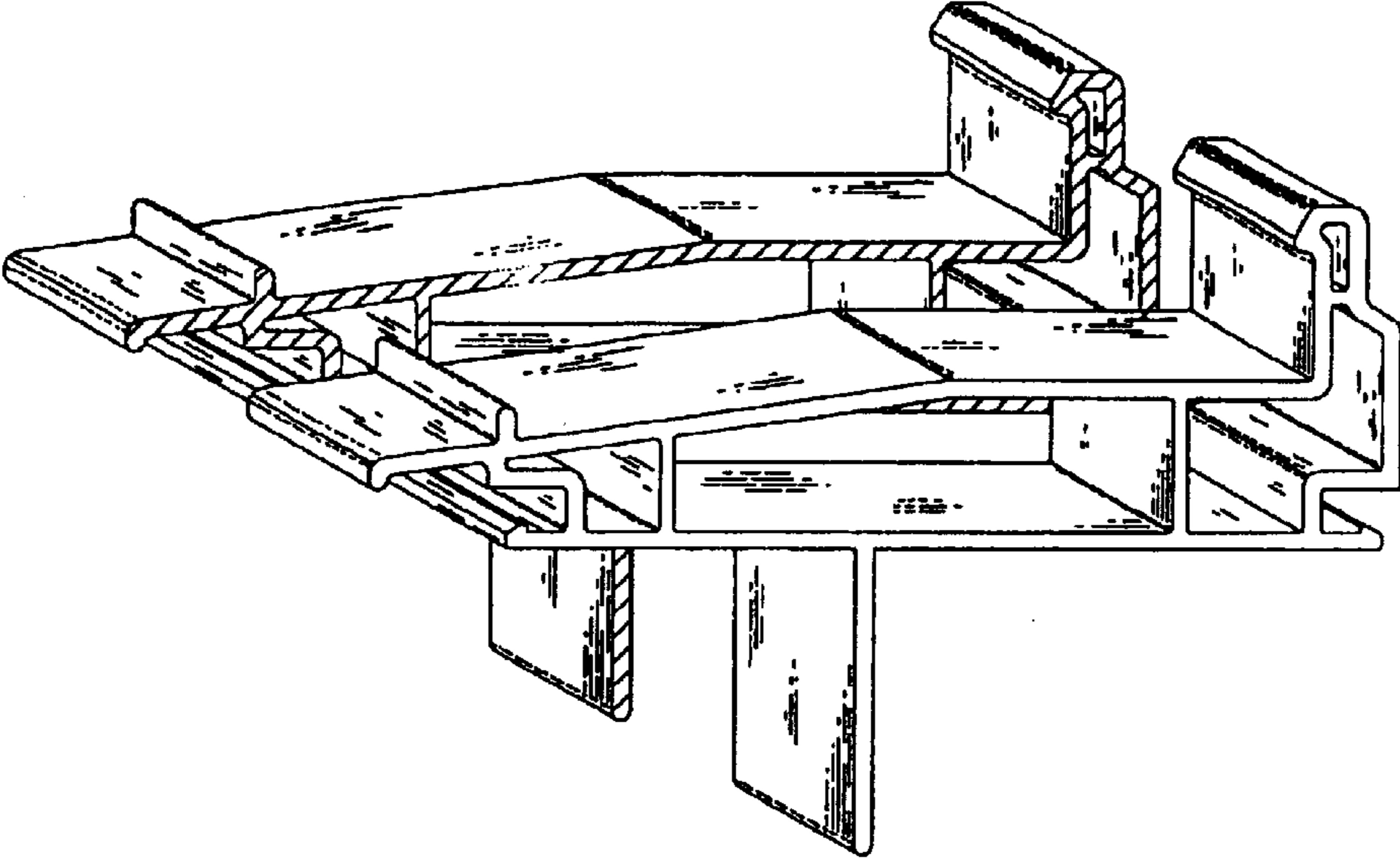


FIG. 3

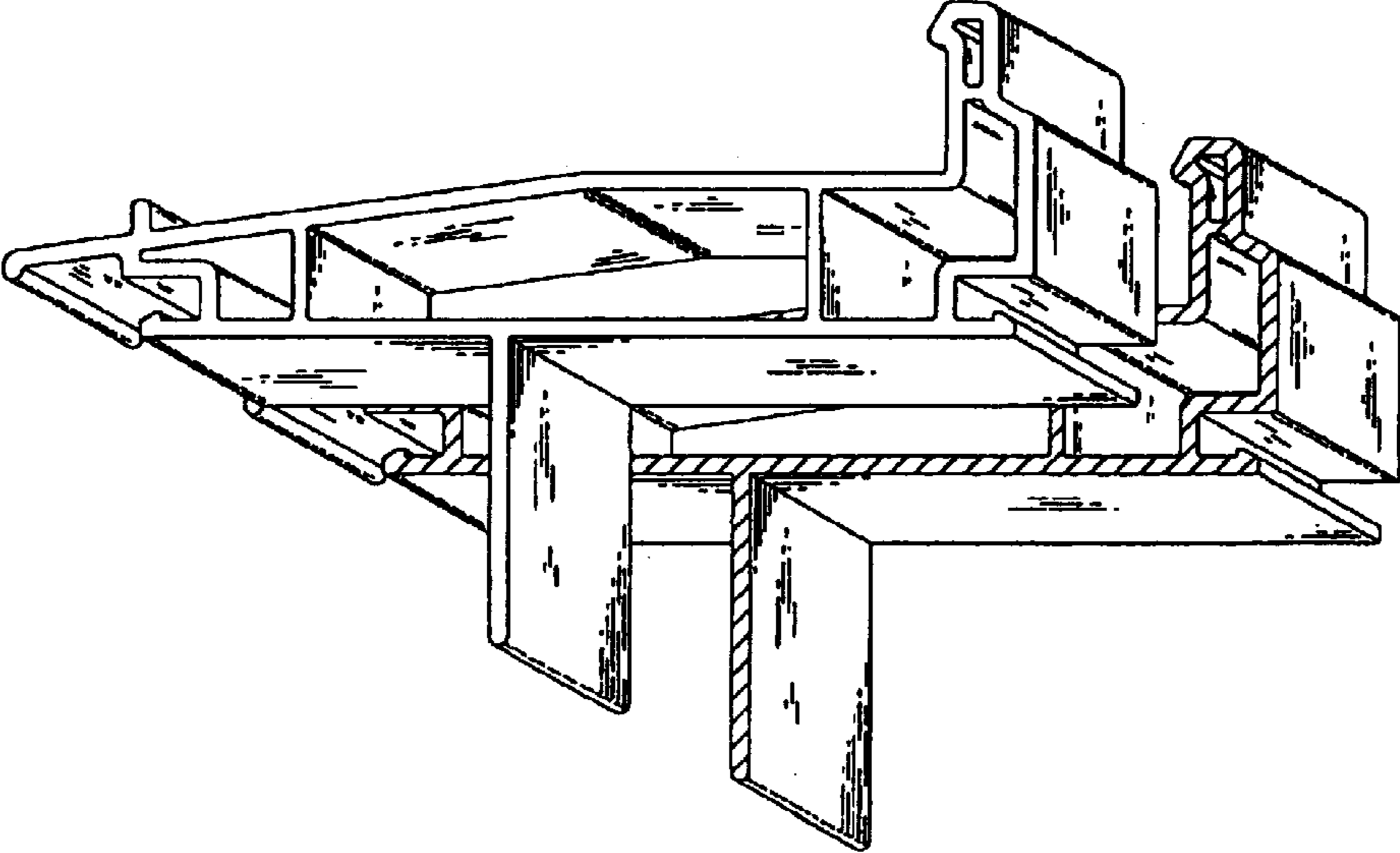


FIG. 4