

US00D507354S

(12) **United States Design Patent**  
**Parkin**

(10) **Patent No.:** **US D507,354 S**

(45) **Date of Patent:** **\*\* Jul. 12, 2005**

(54) **WINDOW SILL**

D396,306 S \* 7/1998 DiGiorgio ..... D25/125  
6,347,492 B1 \* 2/2002 Richardson ..... 52/213

(76) **Inventor:** **Daniel Cornelius Parkin**, Lot 2483,  
Conford Drive, Margate 4275 (ZA)

\* cited by examiner

(\*\*) **Term:** **14 Years**

*Primary Examiner*—Doris Clark  
(74) *Attorney, Agent, or Firm*—Myers Bigel Sibley &  
Sajovec, PA

(21) **Appl. No.:** **29/205,672**

(22) **Filed:** **May 19, 2004**

(57) **CLAIM**

(30) **Foreign Application Priority Data**

The ornamental design for a window sill, as shown.

Dec. 17, 2003 (ZA) ..... F2003/01559

**DESCRIPTION**

(51) **LOC (8) Cl.** ..... **25-01**

(52) **U.S. Cl.** ..... **D25/119**

(58) **Field of Search** ..... D25/119, 55; 52/204.5;  
49/304

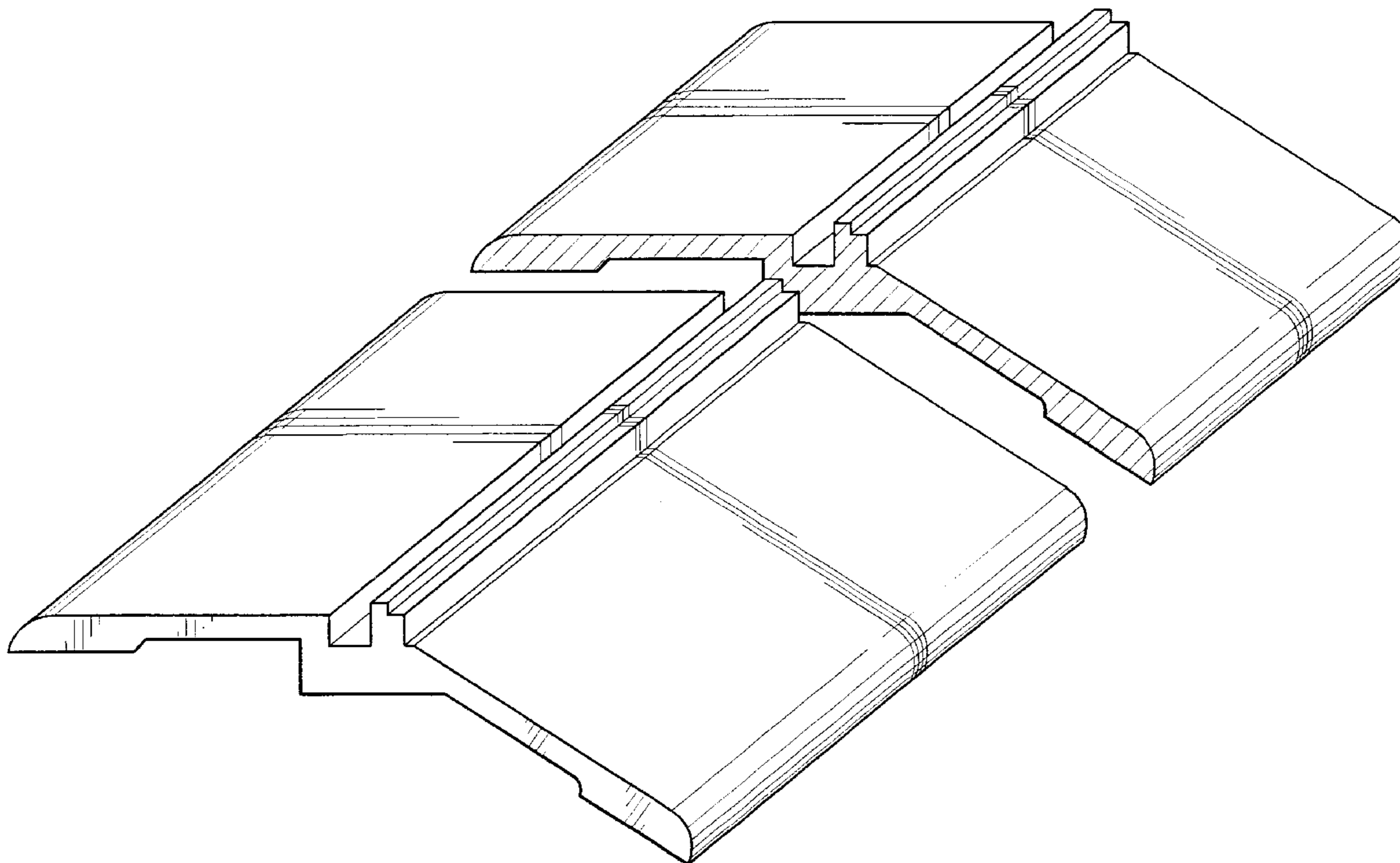
FIG. 1 is a side elevational view showing my new design;  
FIG. 2 is a bottom plan view thereof;  
FIG. 3 is a top plan view thereof;  
FIG. 4 is a perspective view thereof;  
FIG. 5 is a front elevational view thereof; and,  
FIG. 6 is a rear elevational view thereof.

(56) **References Cited**

**U.S. PATENT DOCUMENTS**

**1 Claim, 5 Drawing Sheets**

D345,429 S \* 3/1994 Bancroft ..... D25/119



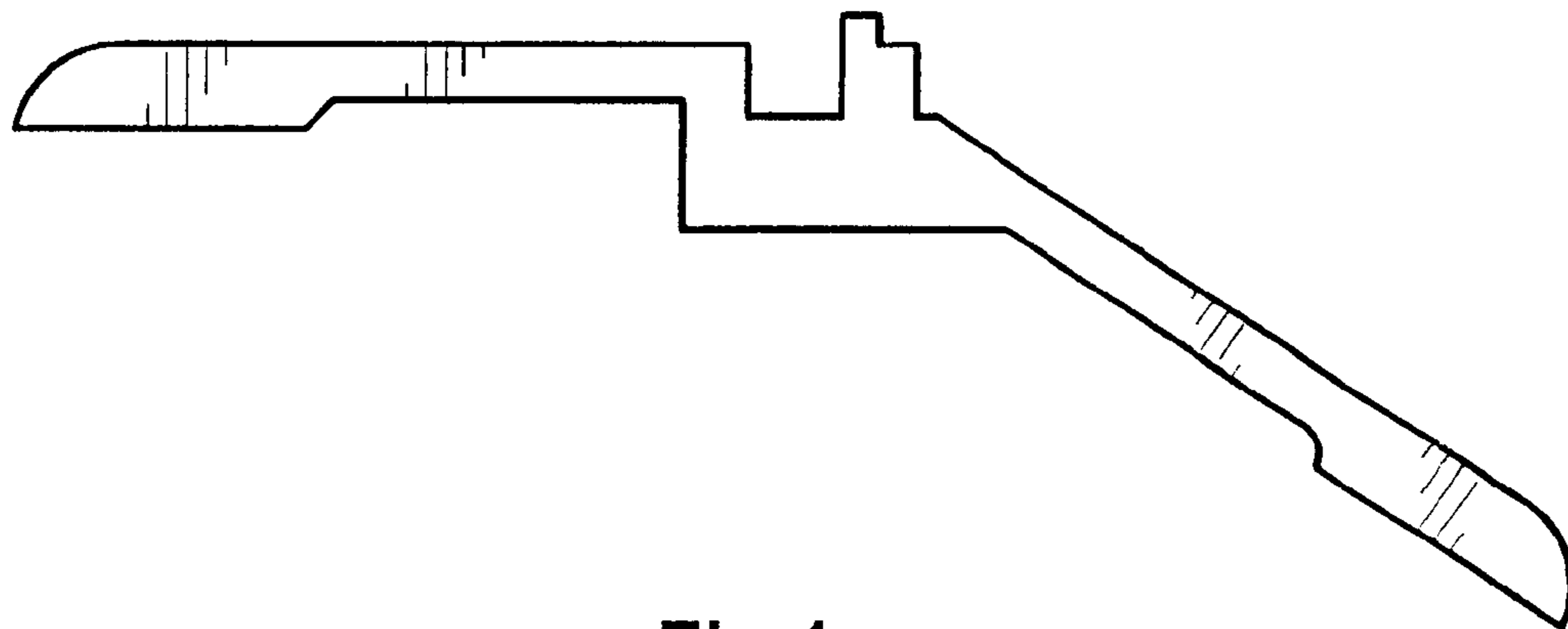


Fig 1

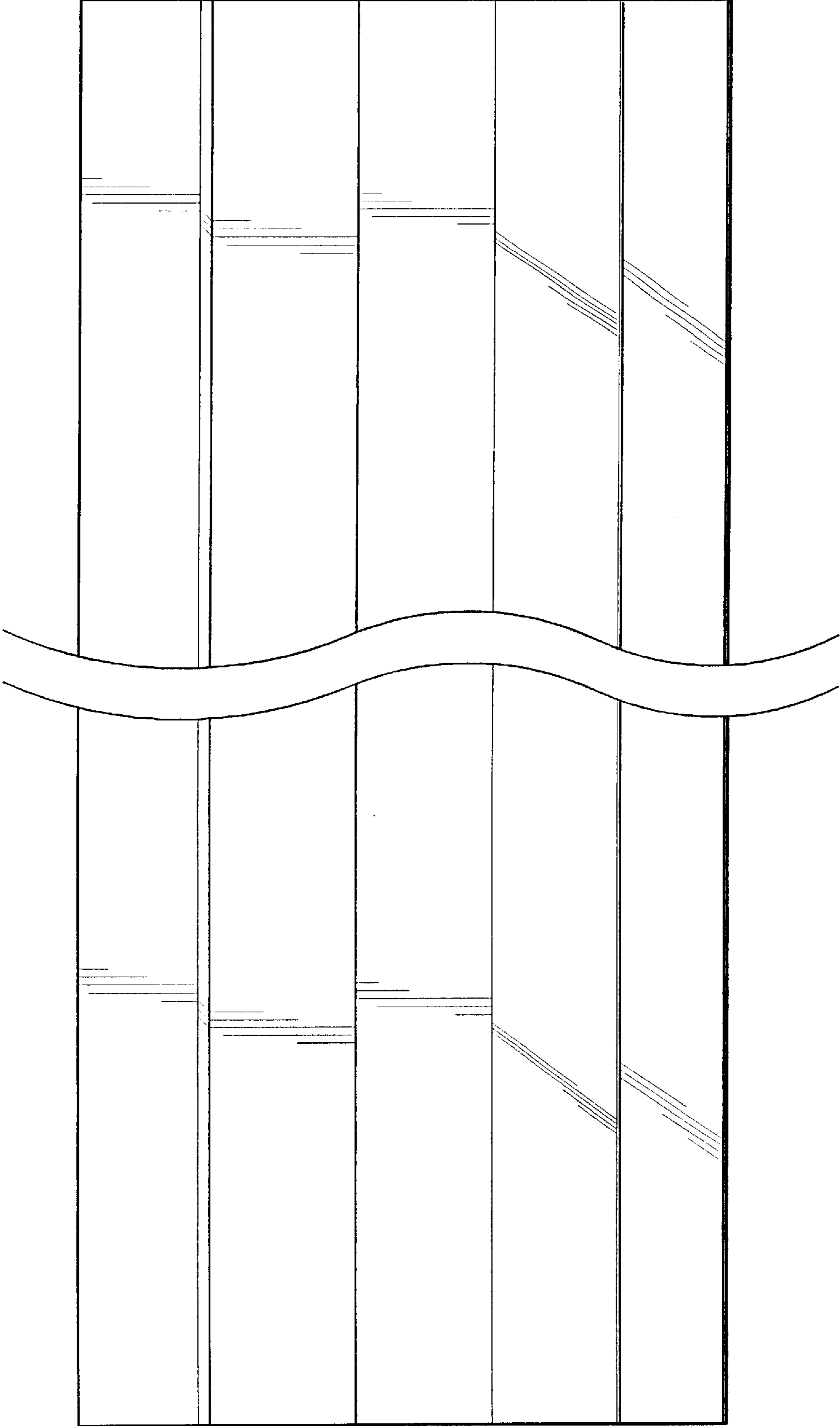


Fig 2

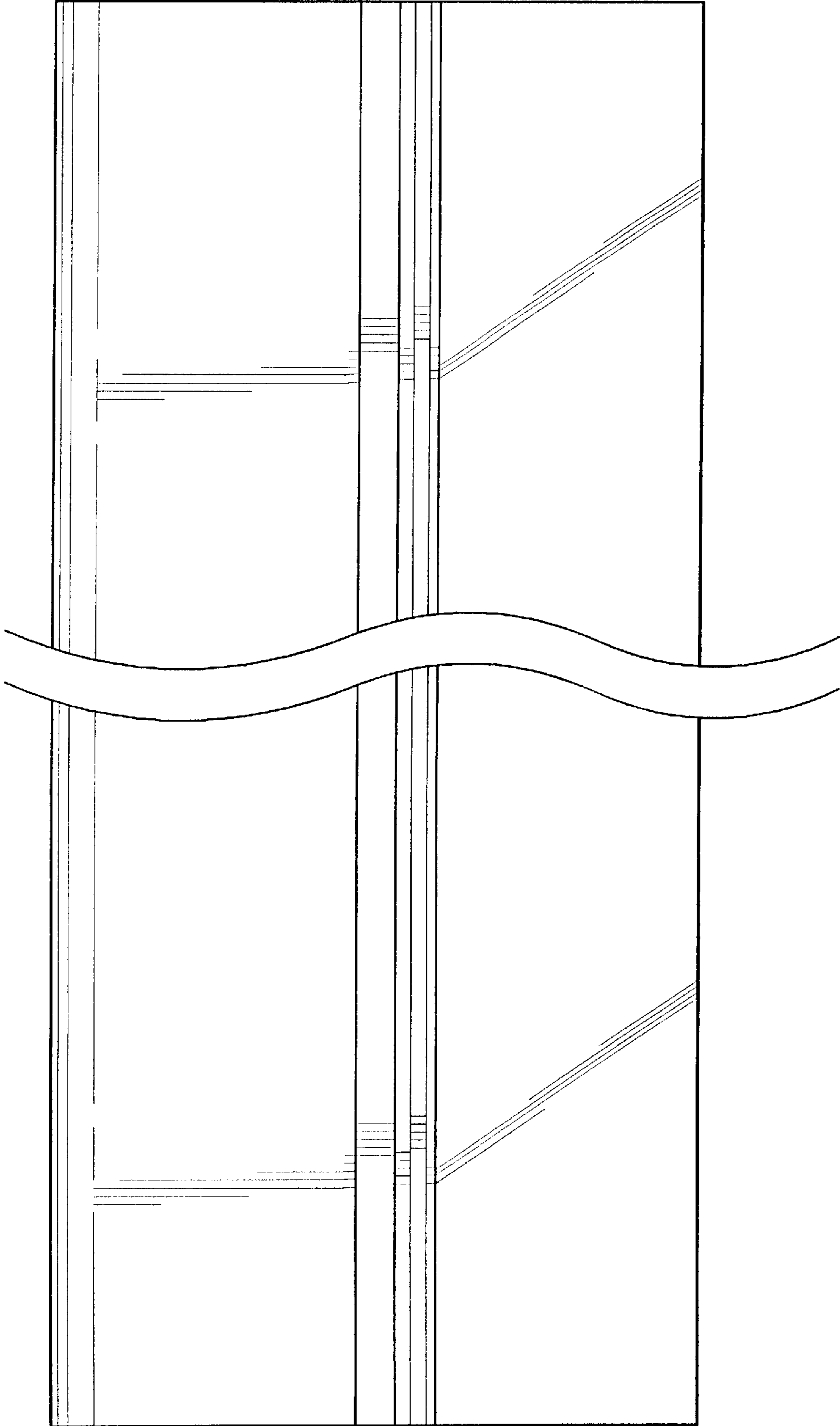


Fig 3

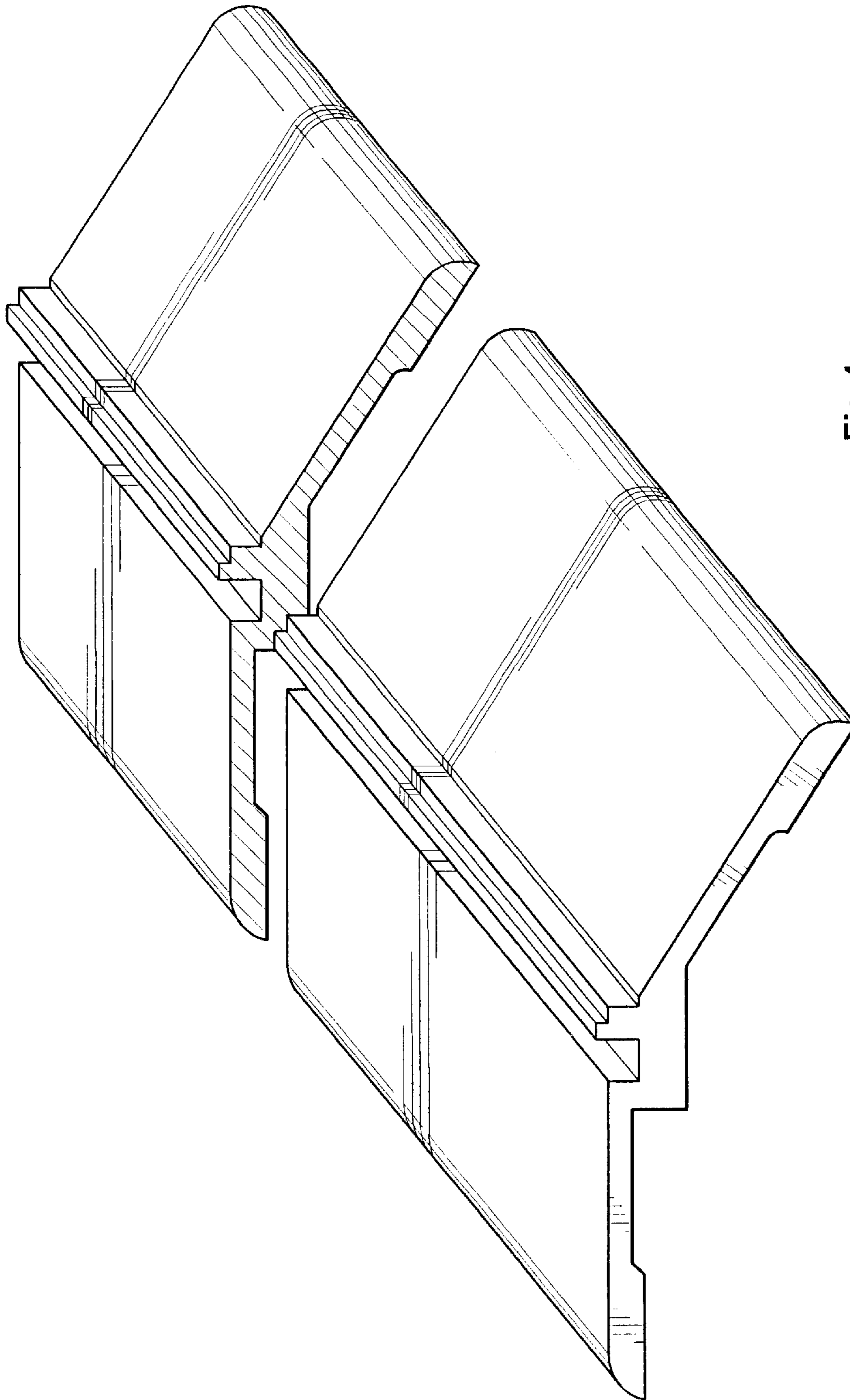


Fig 4

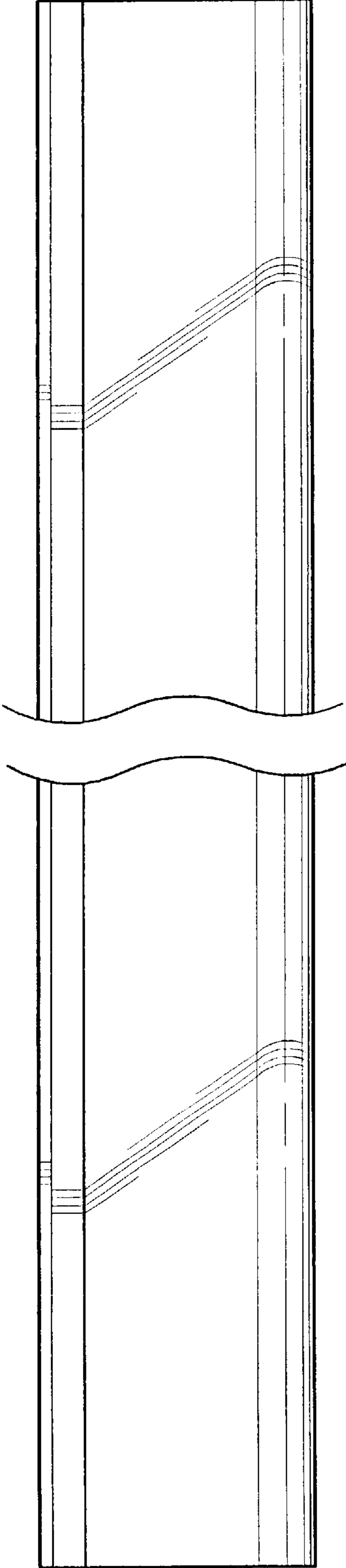


Fig 5

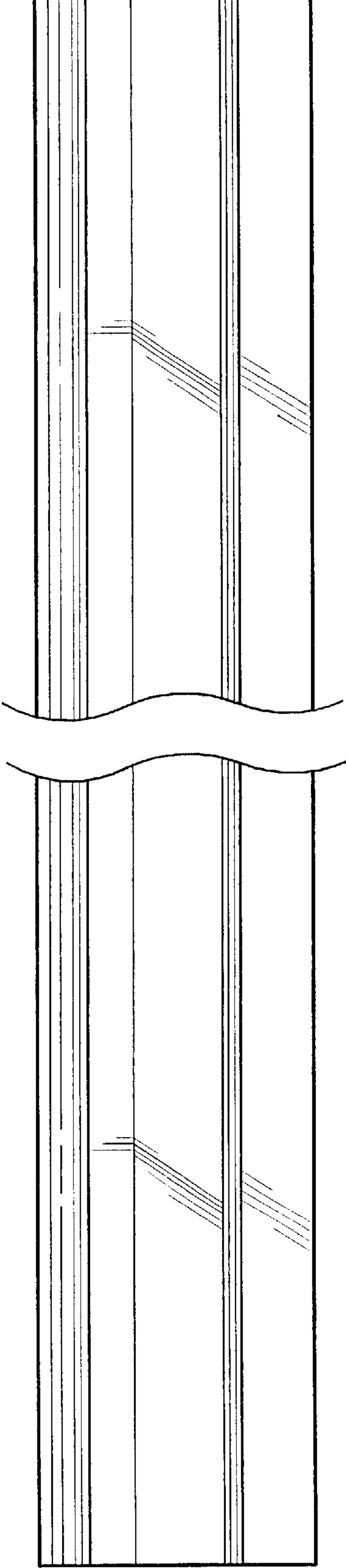


Fig 6