

US00D507353S

(12) **United States Design Patent**
Rasmussen

(10) **Patent No.:** **US D507,353 S**
(45) **Date of Patent:** **** Jul. 12, 2005**

- (54) **DRIP EDGE**
- (75) Inventor: **C. Scott Rasmussen**, Ada, MI (US)
- (73) Assignee: **Quality Edge, Inc.**, Walker, MI (US)
- (**) Term: **14 Years**
- (21) Appl. No.: **29/204,321**
- (22) Filed: **Apr. 28, 2004**
- (51) **LOC (8) Cl.** **25-01**
- (52) **U.S. Cl.** **D25/119**
- (58) **Field of Search** D25/119, 55, 199;
52/11, 15, 14, 96, 97, 98, 58

- 5,170,597 A 12/1992 Stearns
- D340,532 S * 10/1993 Jansen D25/119
- 5,560,158 A 10/1996 Norton
- 5,729,933 A 3/1998 Strength
- 6,035,587 A 3/2000 Dressler
- 6,578,322 B2 * 6/2003 Kintop 52/96
- 6,606,828 B1 * 8/2003 Lin et al. 52/58
- 2001/0010141 A1 8/2001 Folkersen

* cited by examiner

Primary Examiner—Doris Clark
(74) *Attorney, Agent, or Firm*—Price, Heneveld, Cooper, DeWitt & Litton, LLP

(57) **CLAIM**

The ornamental design for a drip edge, as shown and described.

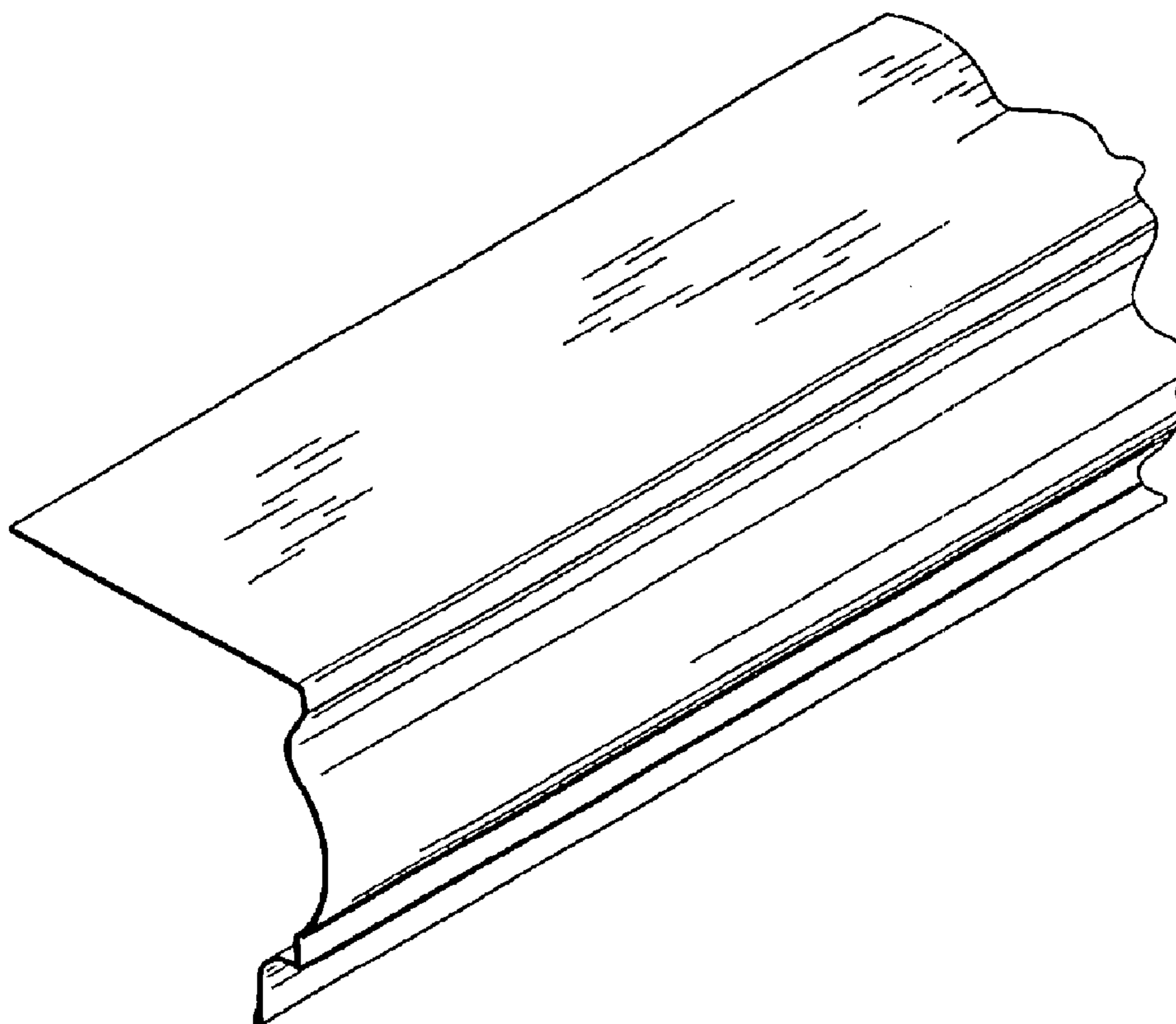
(56) **References Cited**
U.S. PATENT DOCUMENTS

- 3,098,322 A 7/1963 Greene
- 3,188,772 A 6/1965 Tennison, Jr.
- 3,436,877 A 4/1969 Gunning
- 3,821,512 A 6/1974 Stanford
- D232,091 S 7/1974 Clark
- 4,254,594 A 3/1981 Hammond et al.
- 4,300,319 A 11/1981 Frost et al.
- 4,594,820 A 6/1986 Render
- 5,016,404 A 5/1991 Briggs

DESCRIPTION

FIG. 1 is a perspective view of a drip edge, showing my new design;
FIG. 2 is an end elevational view; and,
FIG. 3 is a front elevational view thereof.
The claimed design is fragmented on one end indicating that the length of the drip edge is indeterminate.

1 Claim, 1 Drawing Sheet



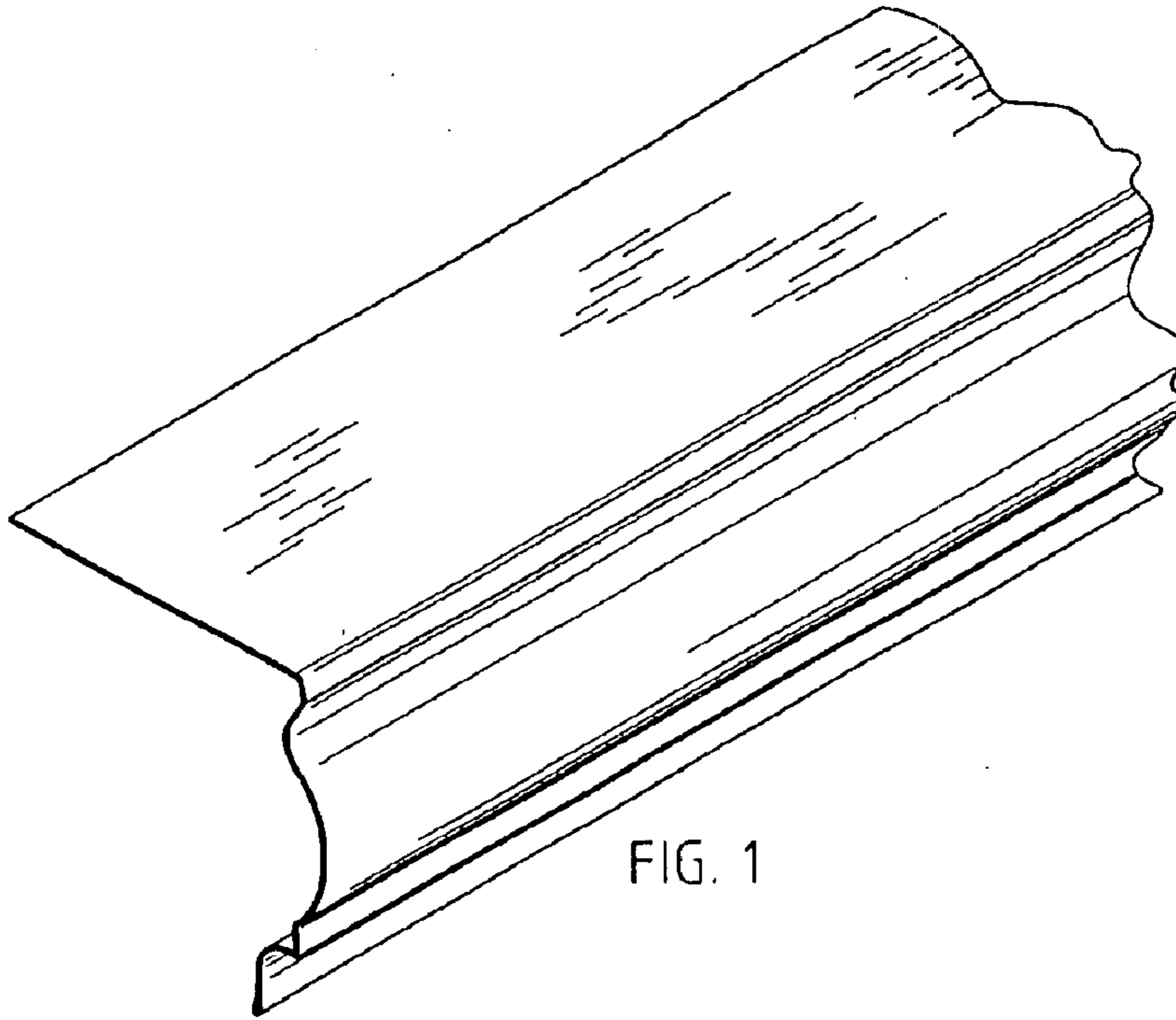


FIG. 1

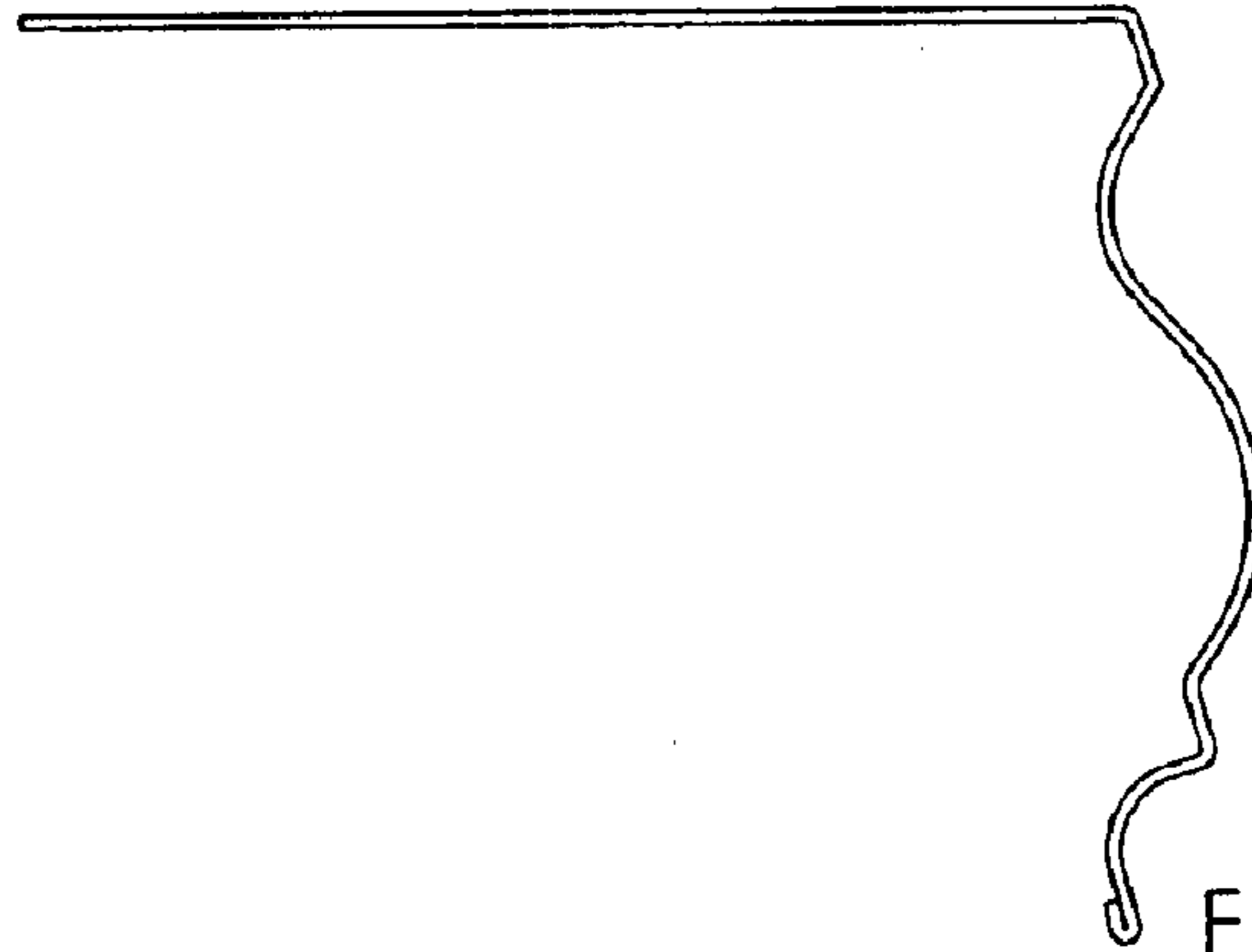


FIG. 2

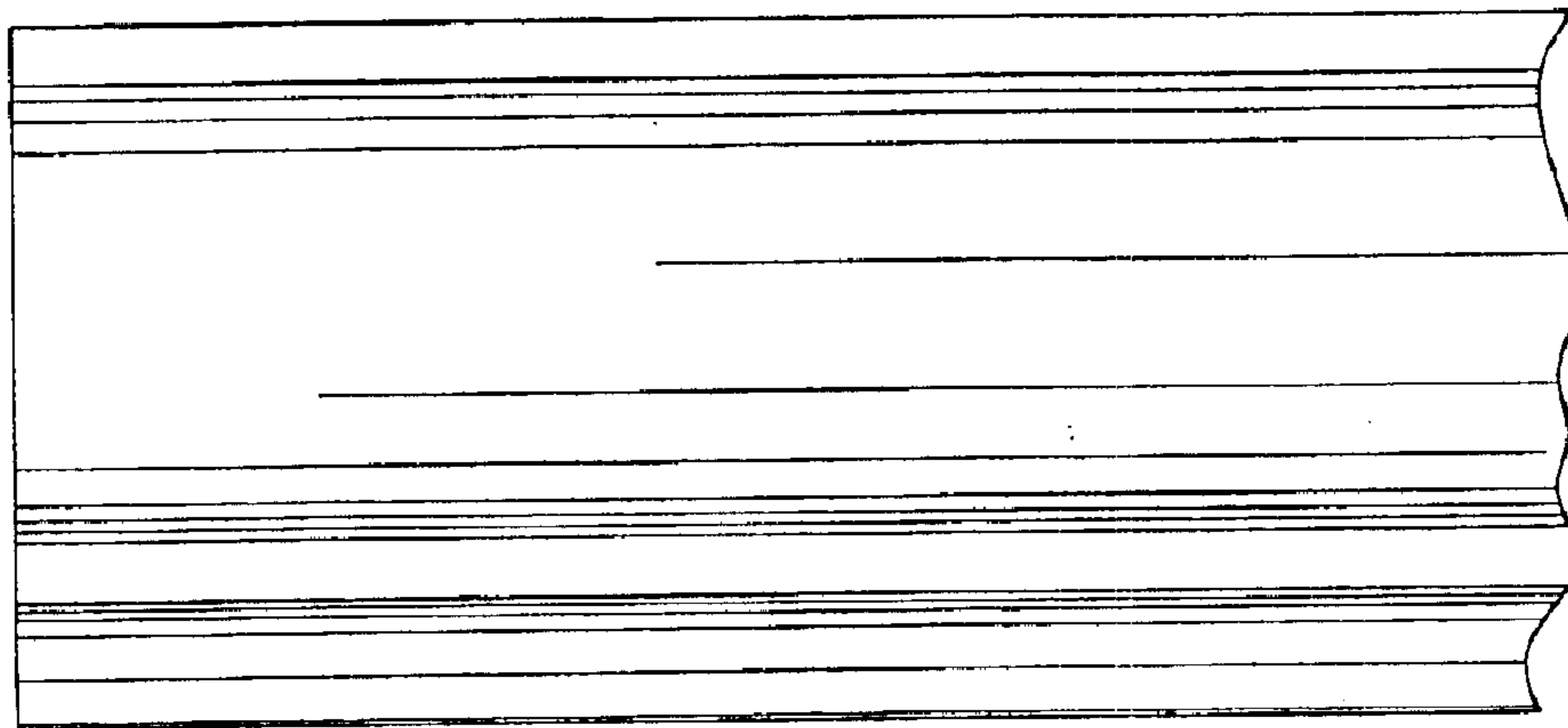


FIG. 3