

US00D507347S

(12) **United States Design Patent**  
**Young**

(10) **Patent No.:** **US D507,347 S**  
(45) **Date of Patent:** **\*\* Jul. 12, 2005**

(54) **CEILING FAN**

(75) **Inventor:** **Stanfield Young**, Garden Grove, CA  
(US)

(73) **Assignee:** **Minka Lighting, Inc.**, Corona, CA  
(US)

(\*\*) **Term:** **14 Years**

(21) **Appl. No.:** **29/191,015**

(22) **Filed:** **Sep. 29, 2003**

(51) **LOC (8) Cl.** ..... **23-04**

(52) **U.S. Cl.** ..... **D23/411**

(58) **Field of Search** ..... D23/411, 377,  
D23/379, 385; 416/5; 392/364

(56) **References Cited**

**U.S. PATENT DOCUMENTS**

D408,904 S	*	4/1999	Liu	.....	D23/377
D417,494 S	*	12/1999	Evans	.....	D23/377
D424,187 S	*	5/2000	Lo	.....	D23/377
D480,796 S		10/2003	Young	.....	D23/411
D481,450 S		10/2003	Young	.....	D23/377
D481,454 S		10/2003	Young	.....	D23/411
D482,773 S		11/2003	Young	.....	D23/411

**OTHER PUBLICATIONS**

Minka Aire Two Thousand Two; pp. 2,3, Apr. 22, 2002, Minka Lighting, Inc. USA.

Minka Aire Two Thousand Three; pp. 2,3, Jan. 2003, Minka Lighting, Inc. USA.

\* cited by examiner

*Primary Examiner*—Lisa Lichtenstein

(74) *Attorney, Agent, or Firm*—Baker & McKenzie, LLP

(57) **CLAIM**

The ornamental design for a ceiling fan, as shown and described.

**DESCRIPTION**

FIG. 1 is a perspective view from below of a ceiling fan in accordance with my design.

FIG. 2 is an enlarged perspective view from below of the ceiling fan in accordance with my design.

FIG. 3 is a bottom plan view of the ceiling fan in accordance with my design.

FIG. 4 is a top plan view of the ceiling fan in accordance with my design.

FIG. 5 is a side elevation view of the ceiling fan in accordance with my design.

FIG. 6 is a front elevation view of the ceiling fan in accordance with my design.

FIG. 7 is a perspective view from below of the ceiling fan in accordance with my design.

FIG. 8 is an enlarged perspective view from below of the ceiling fan in accordance with my design.

FIG. 9 is a bottom plan view of the ceiling fan in accordance with my design.

FIG. 10 is a top plan view of the ceiling fan in accordance with my design.

FIG. 11 is a side elevation view of the ceiling fan in accordance with my design; and,

FIG. 12 is a front elevation view of the ceiling fan in accordance with my design.

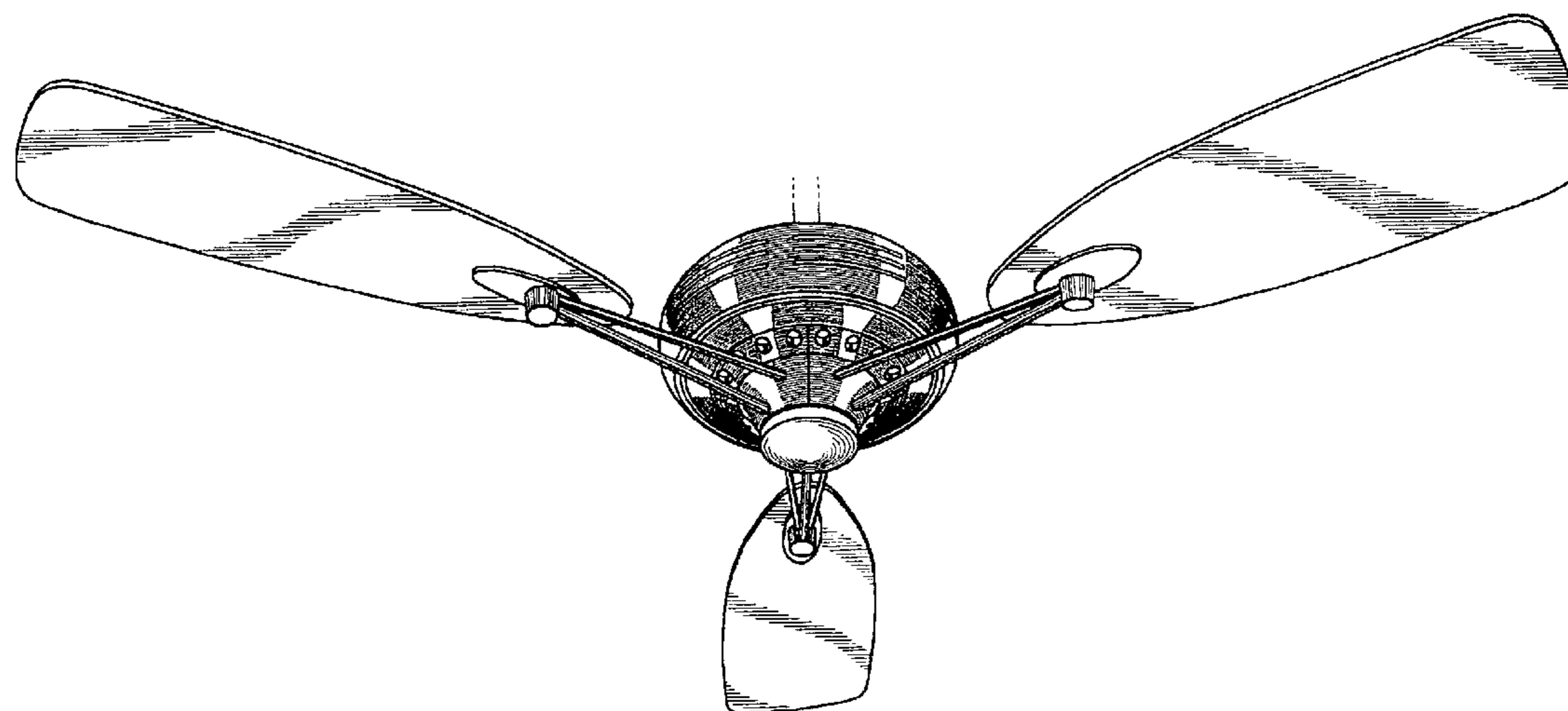
The broken lines representing the fan blades in FIGS. 2 and 8 have been shown broken away for ease of illustration.

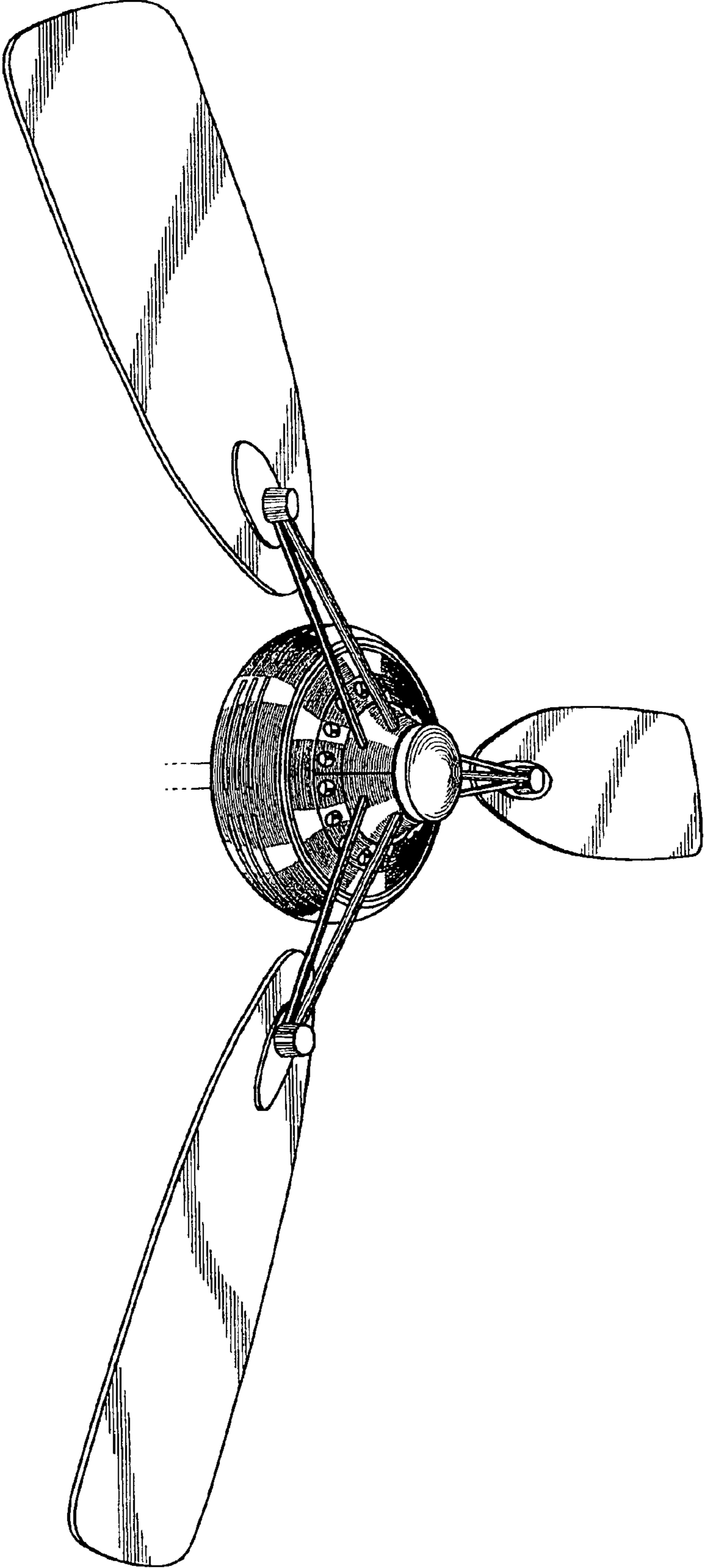
The front and rear elevation views are mirror images of each other except for the positioning of the blades.

The right side and left side elevation views are mirror images of each other except of the positioning of the blades.

The broken lines showing environmental structure are for illustrative purposes and form no part of the claimed design.

**1 Claim, 12 Drawing Sheets**





*Fig. 1*

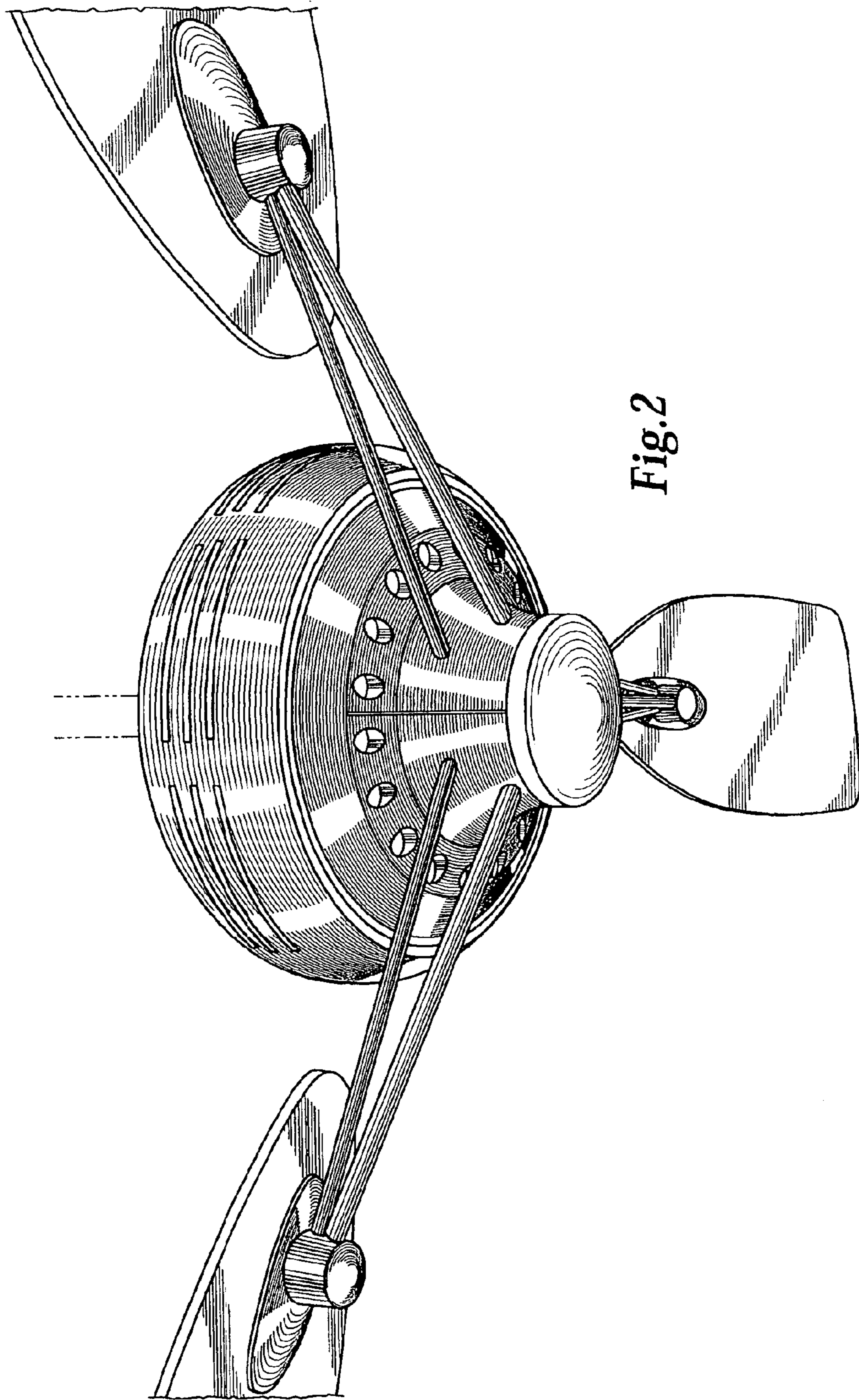


Fig. 2

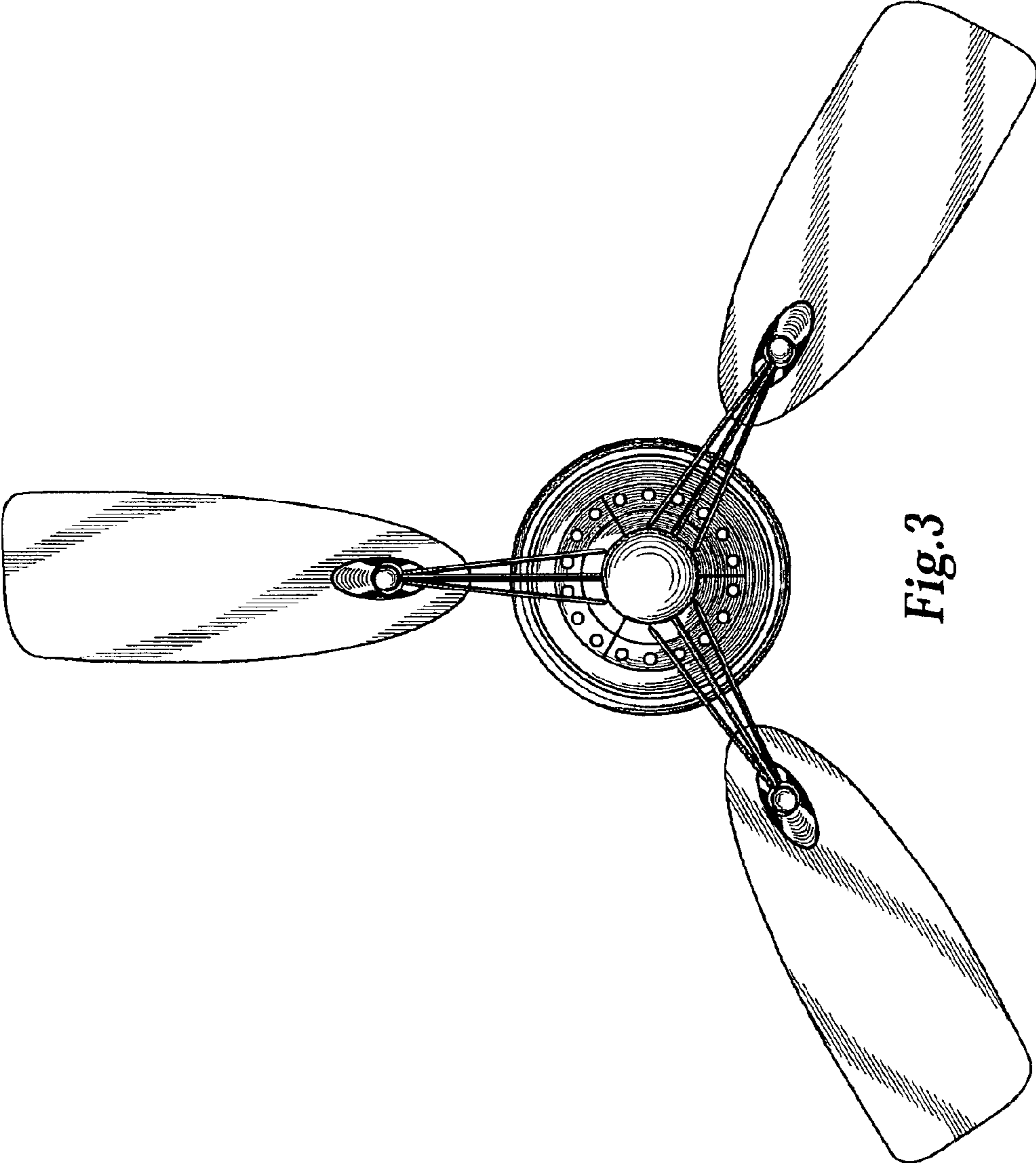


Fig.3

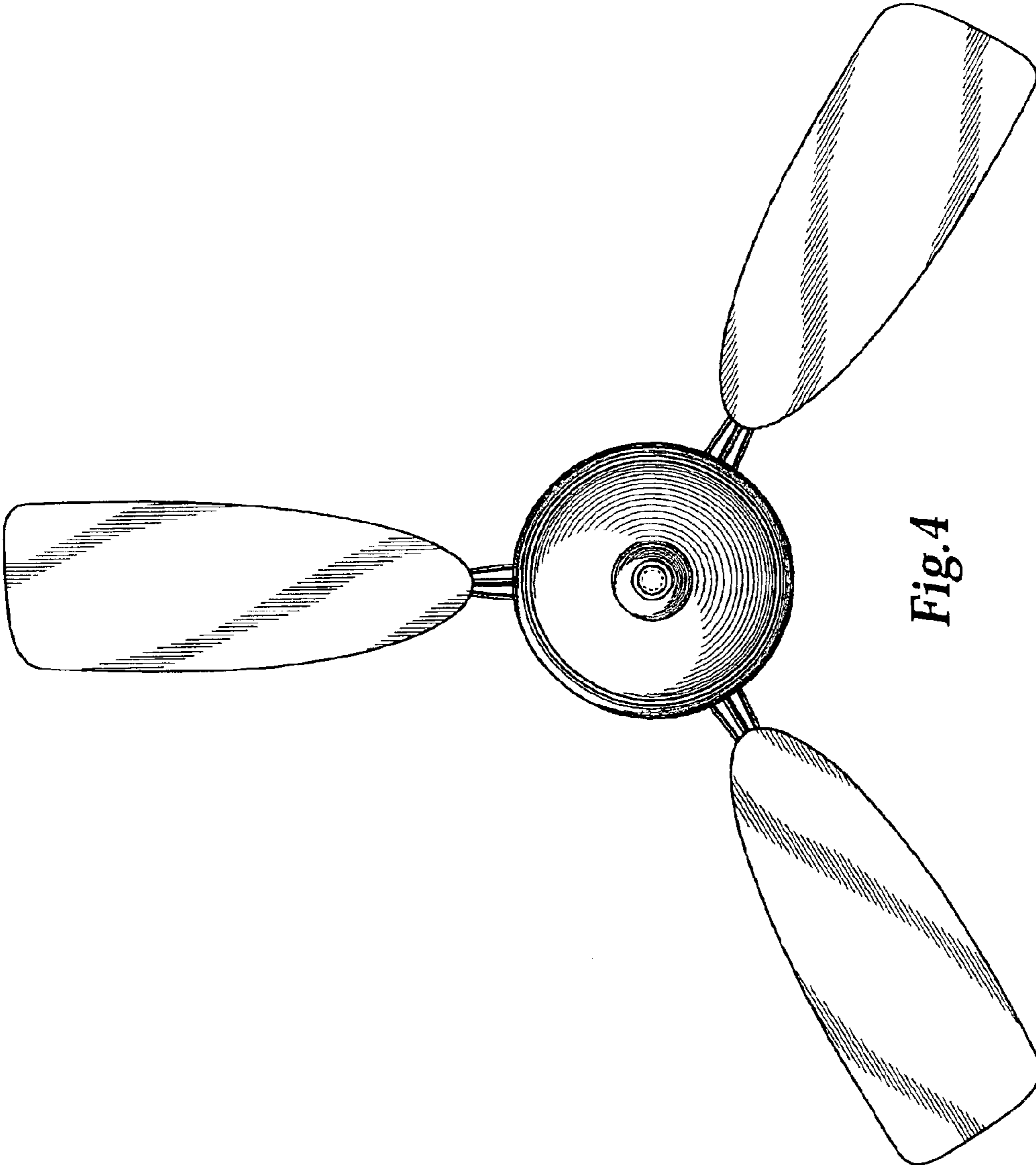


Fig. 4

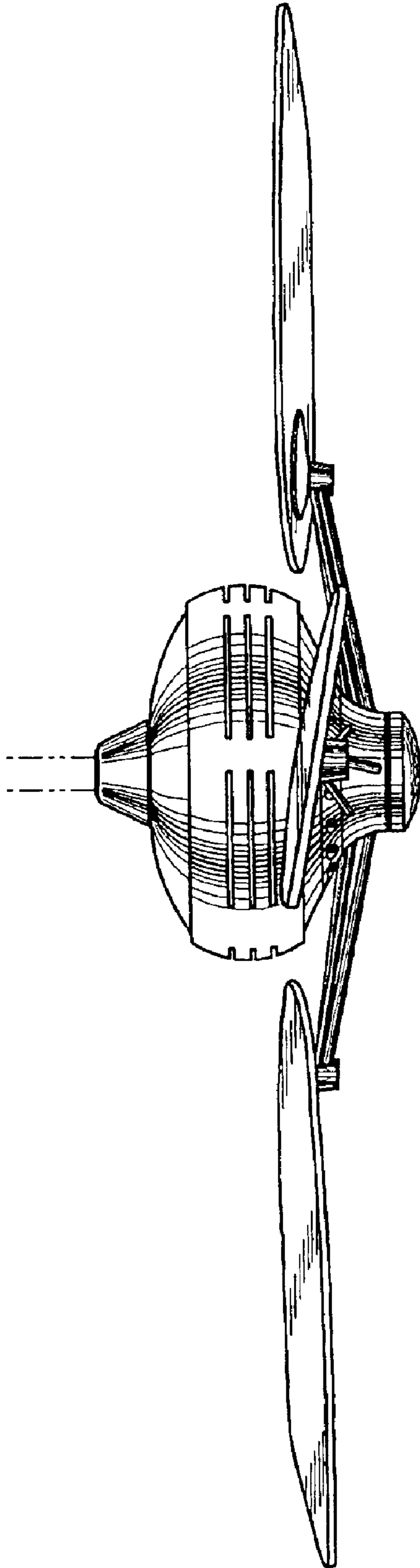


Fig. 5

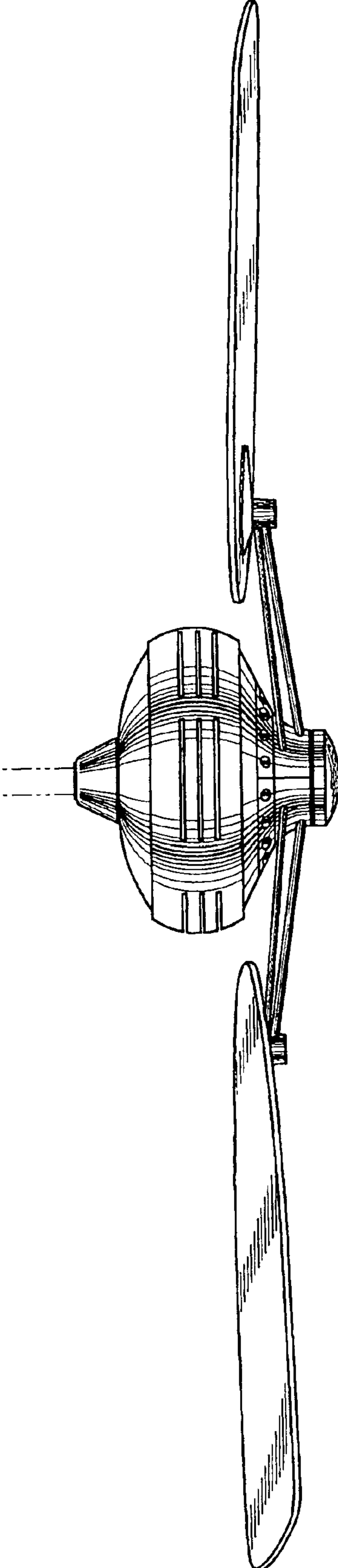


Fig.6

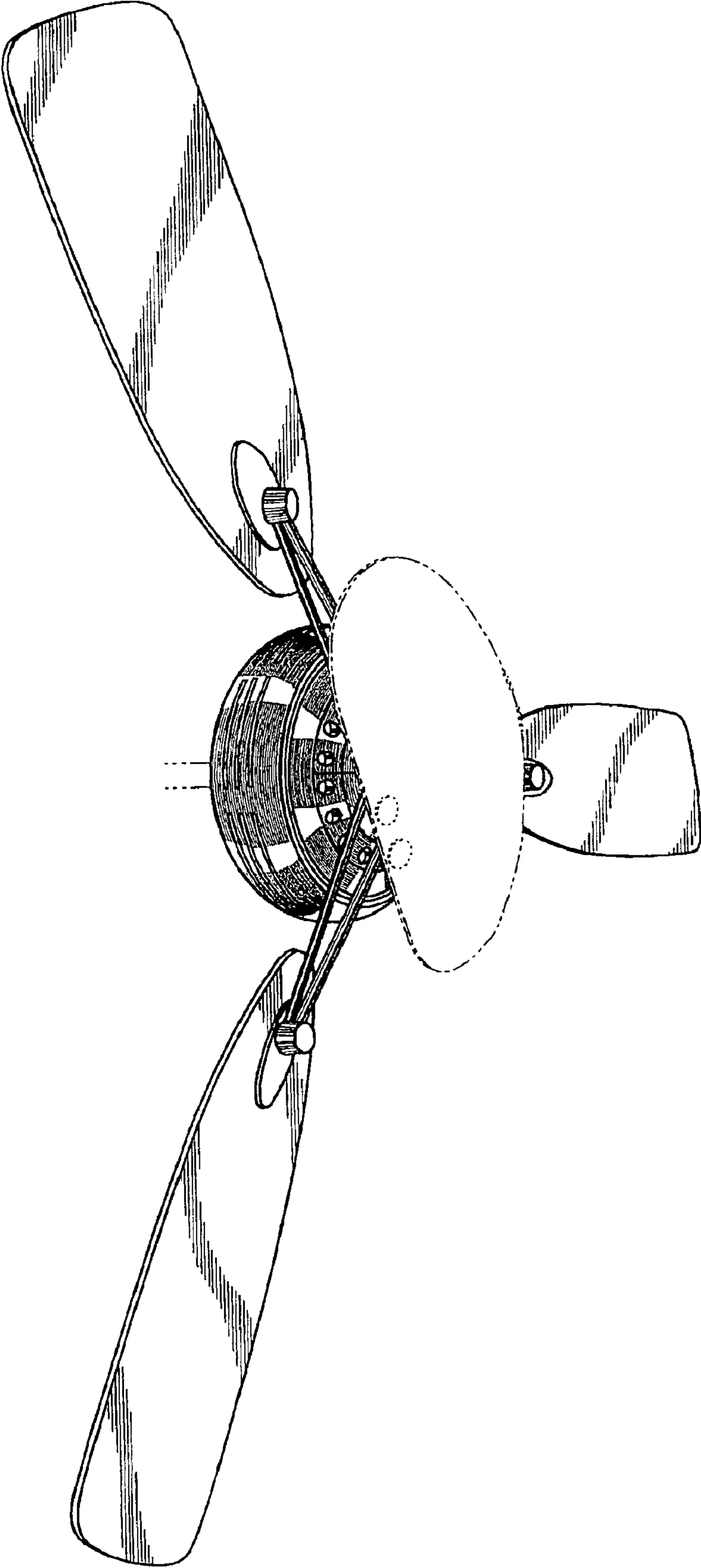


Fig. 7



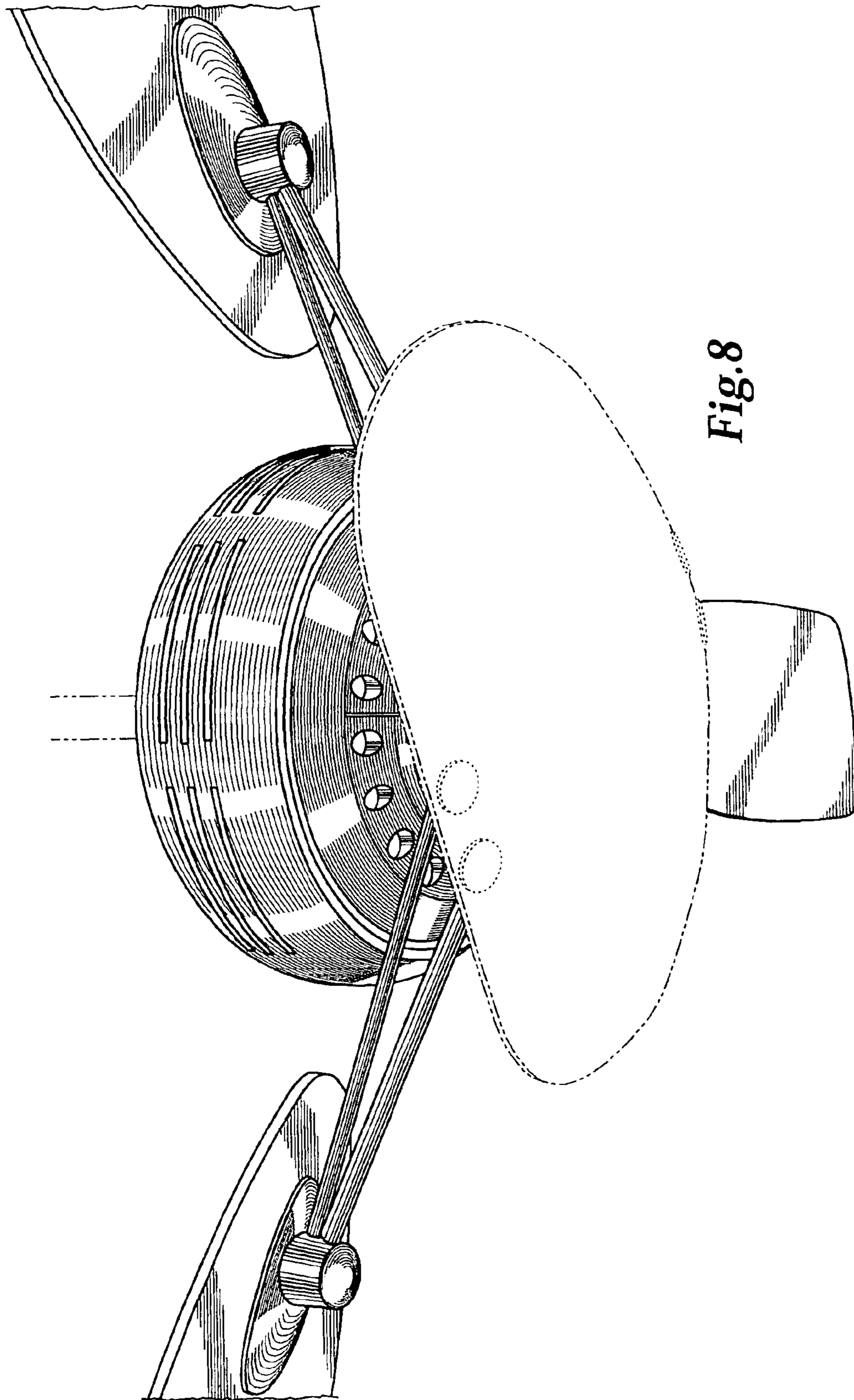
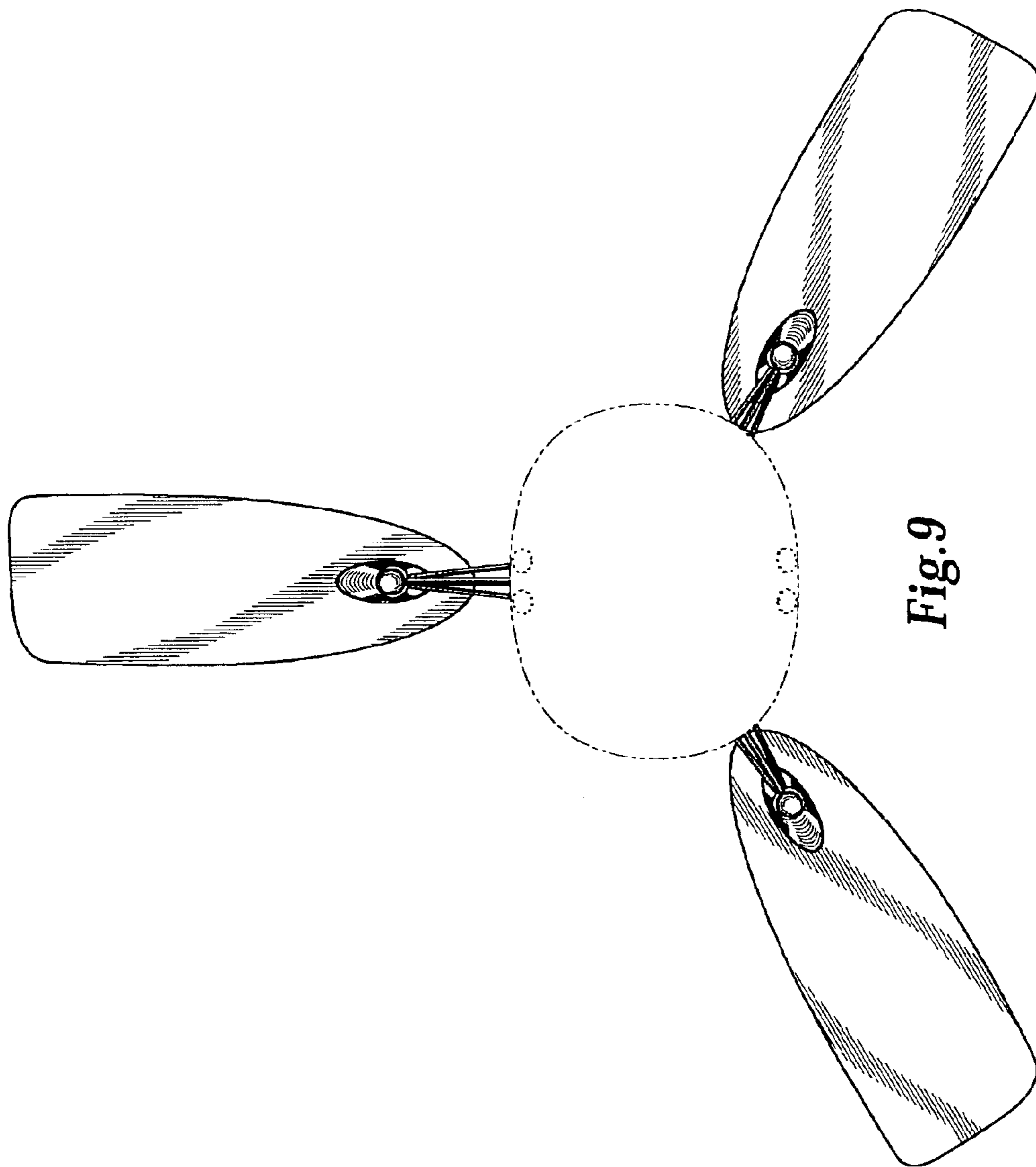
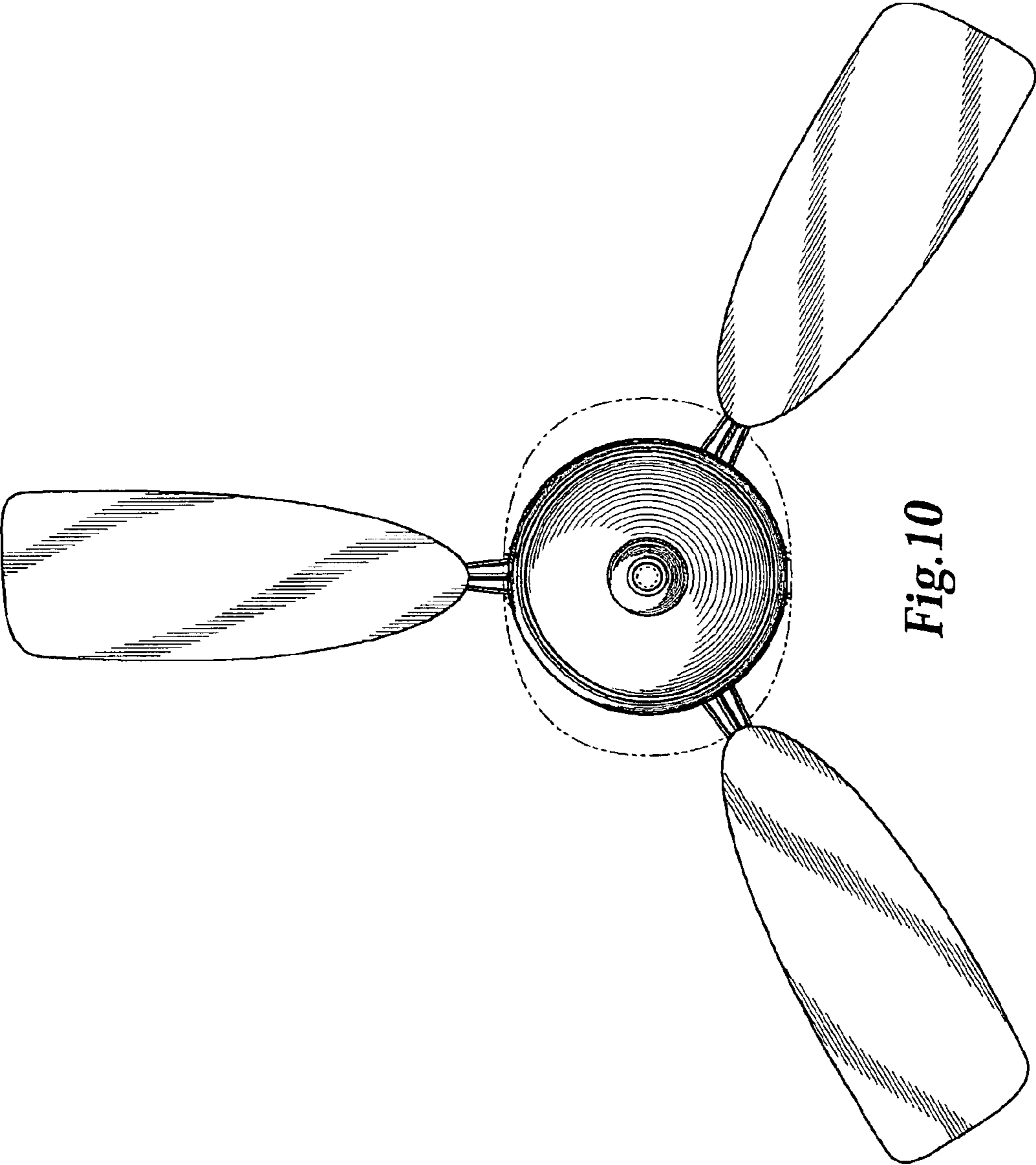


Fig. 8





**Fig. 10**

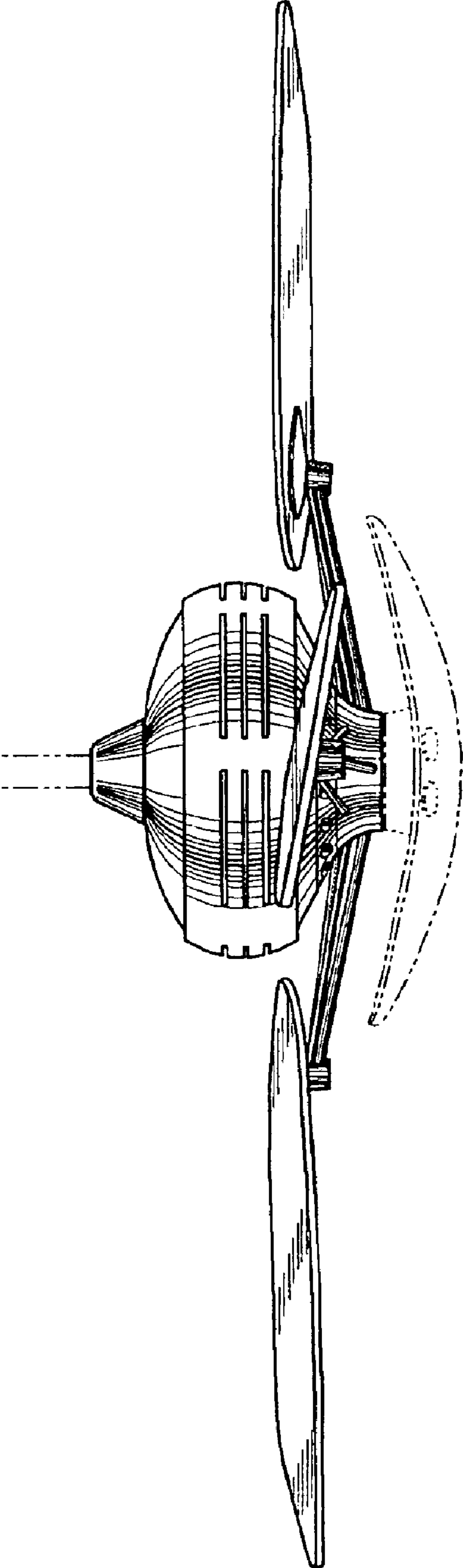


Fig. 11

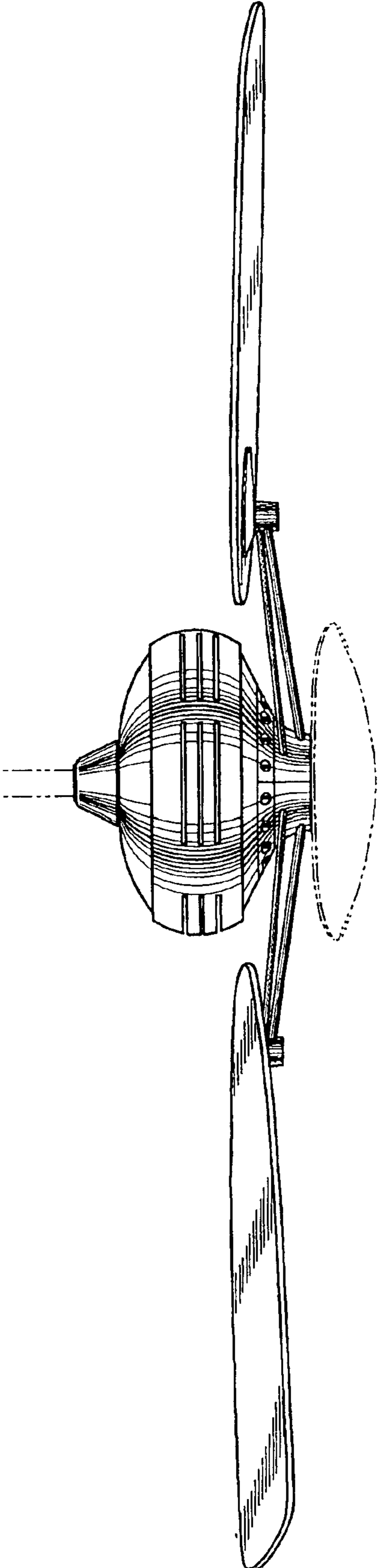


Fig.12