



US00D507342S

(12) **United States Design Patent**
Chen

(10) **Patent No.:** **US D507,342 S**

(45) **Date of Patent:** **** Jul. 12, 2005**

(54) **CEILING FAN HOUSING**

(76) **Inventor:** **Chia-Teh Chen**, 5 Fl., No. 30, Yi Shian Rd., Taipei (TW)

(**) **Term:** **14 Years**

(21) **Appl. No.:** **29/191,982**

(22) **Filed:** **Oct. 16, 2003**

(51) **LOC (8) Cl.** **23-04**

(52) **U.S. Cl.** **D23/377**

(58) **Field of Search** D23/377, 379,
D23/385, 411, 413; 416/5

(56) **References Cited**

U.S. PATENT DOCUMENTS

D485,896 S * 1/2004 Chen D23/377

D495,411 S * 8/2004 Chen D23/377

* cited by examiner

Primary Examiner—Lisa Lichtenstein

(74) *Attorney, Agent, or Firm*—Charles E. Baxley

(57) **CLAIM**

The ornamental design for a ceiling fan housing, as shown and described.

DESCRIPTION

FIG. 1 is a perspective view of a ceiling fan housing showing my new design;

FIG. 2 is a front elevational view thereof;

FIG. 3 is a rear elevational view thereof,

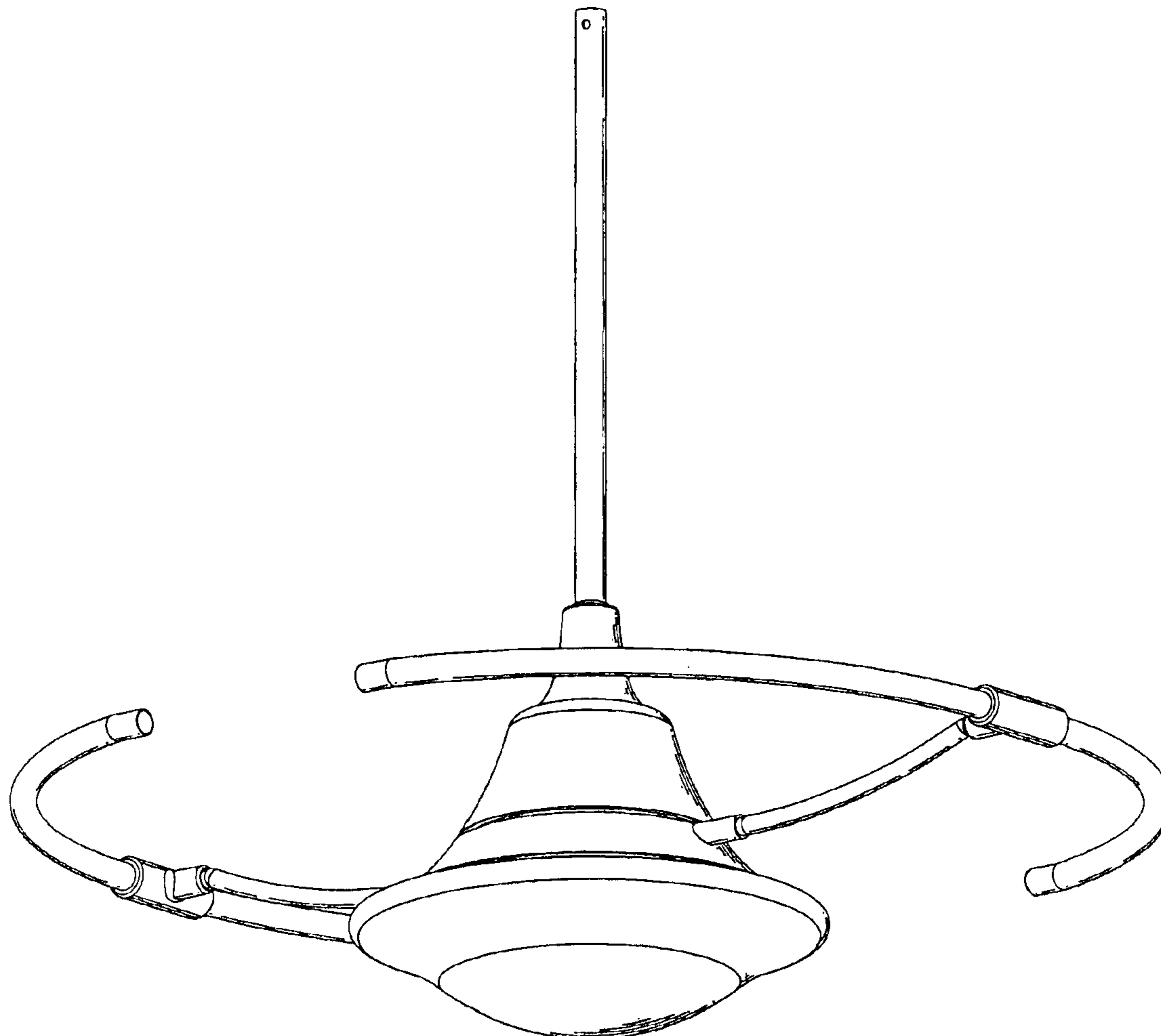
FIG. 4 is a left side elevational view thereof,

FIG. 5 is a right side elevational view thereof,

FIG. 6 is a top plan view thereof; and,

FIG. 7 is a bottom plan view to that shown.

1 Claim, 7 Drawing Sheets



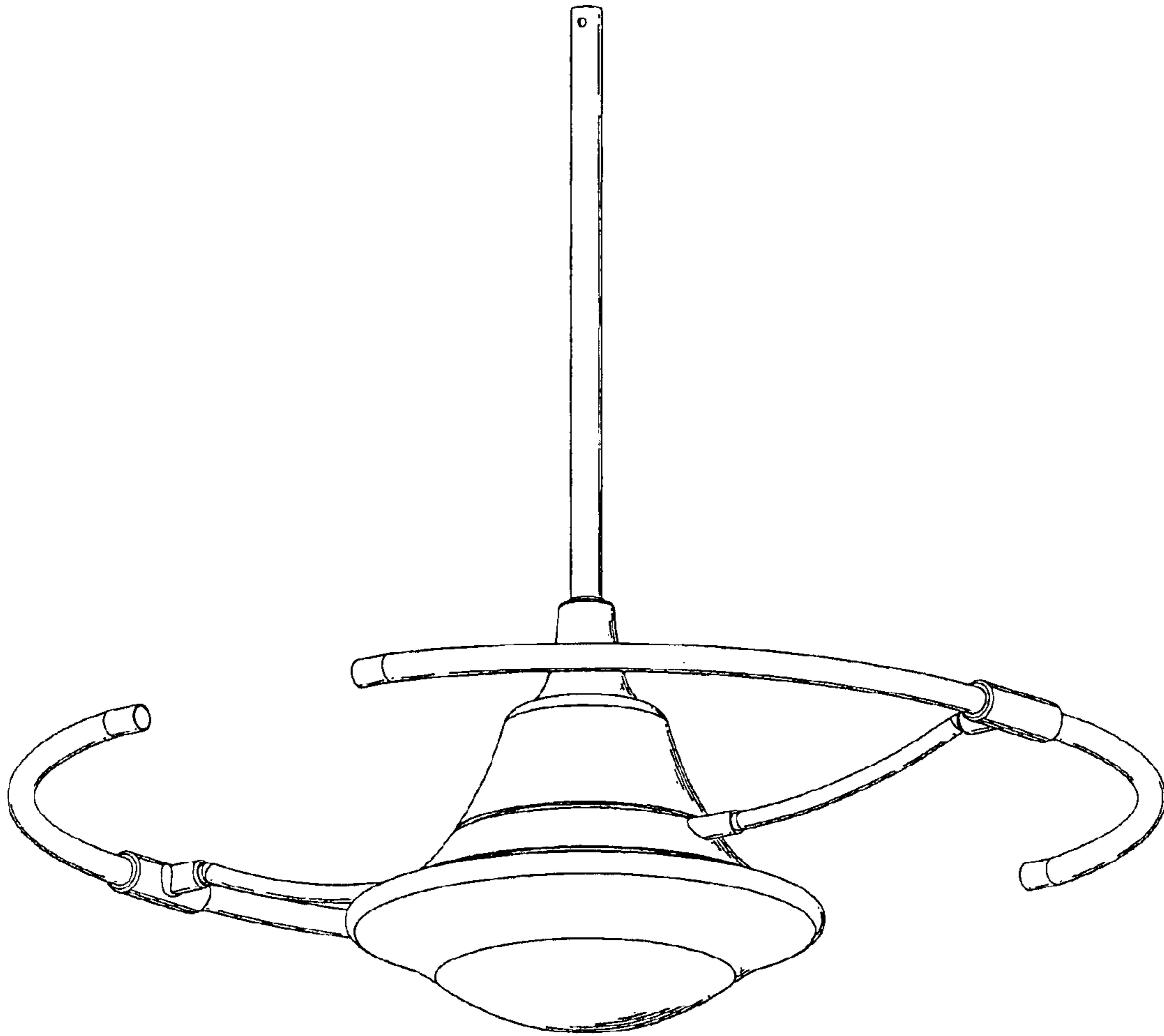


FIG. 1

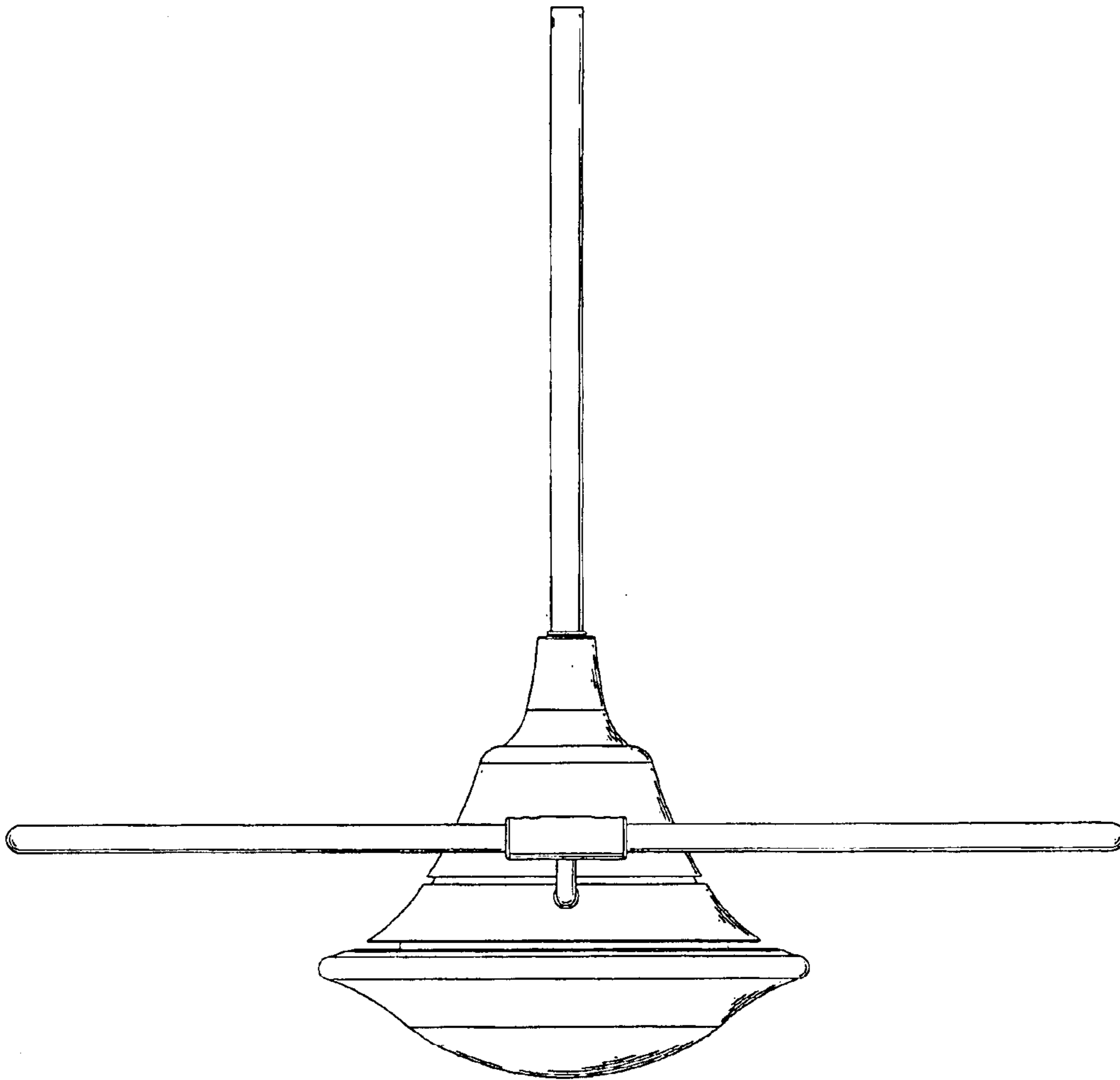


FIG. 2

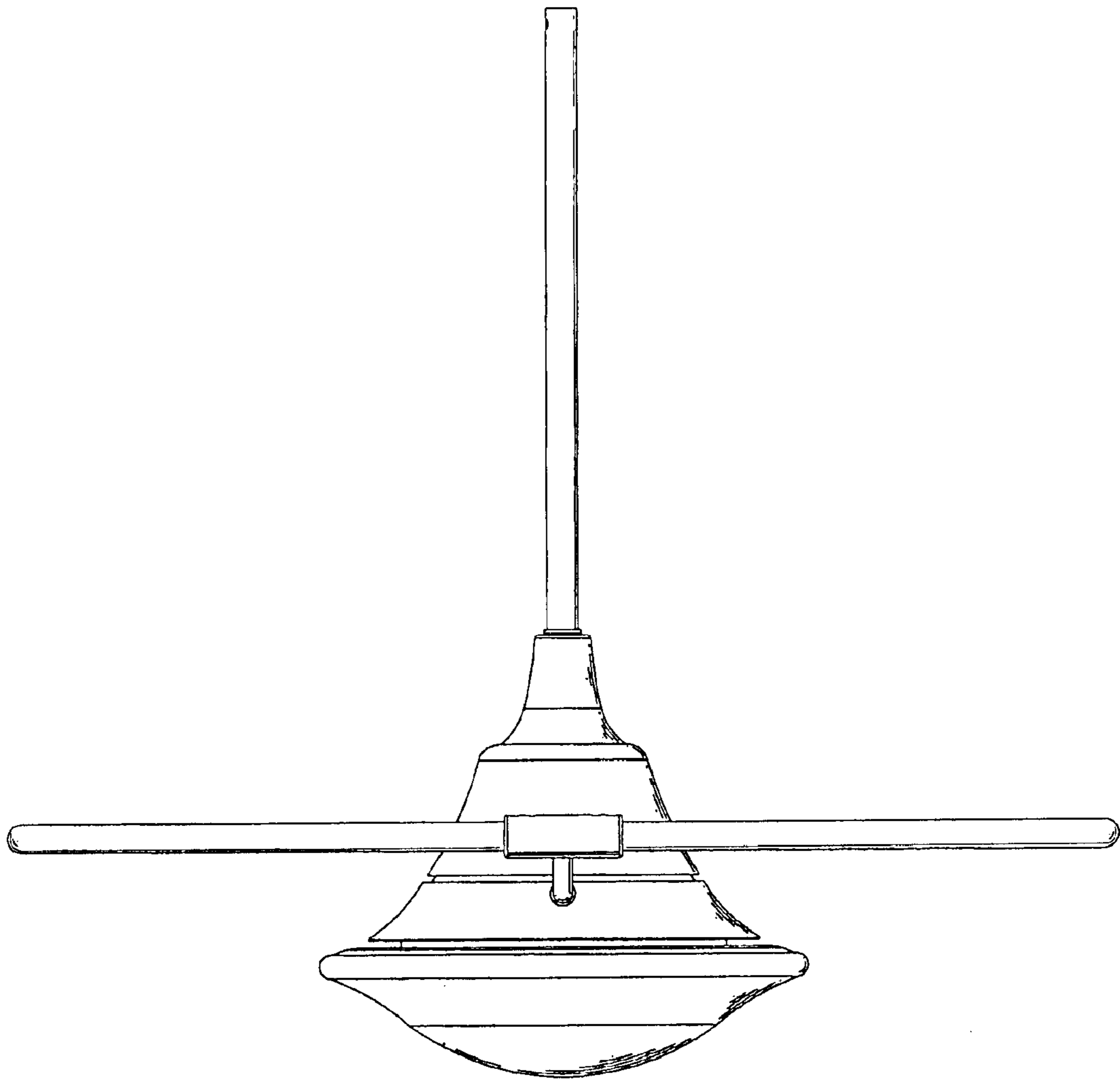


FIG. 3

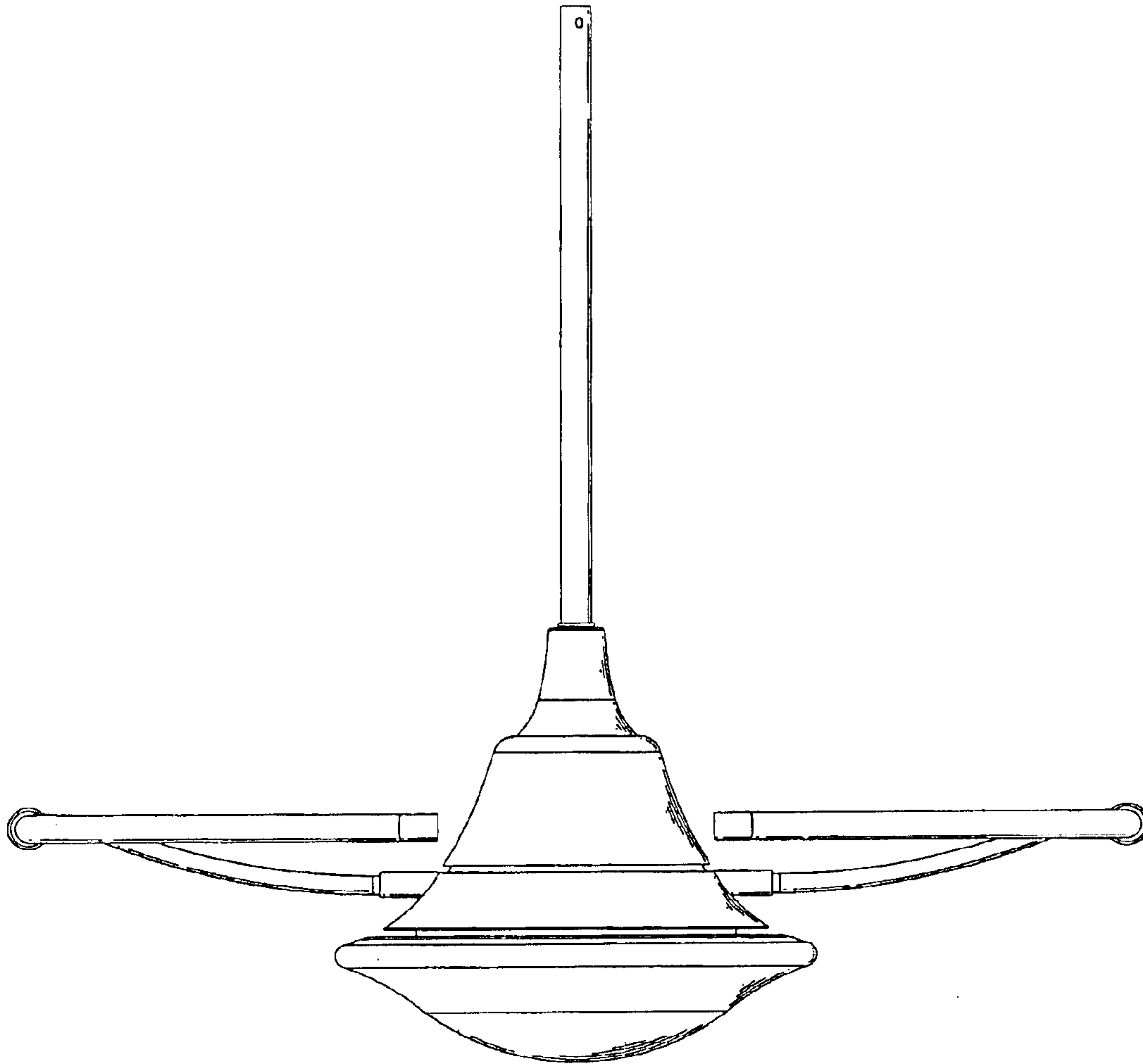


FIG. 4

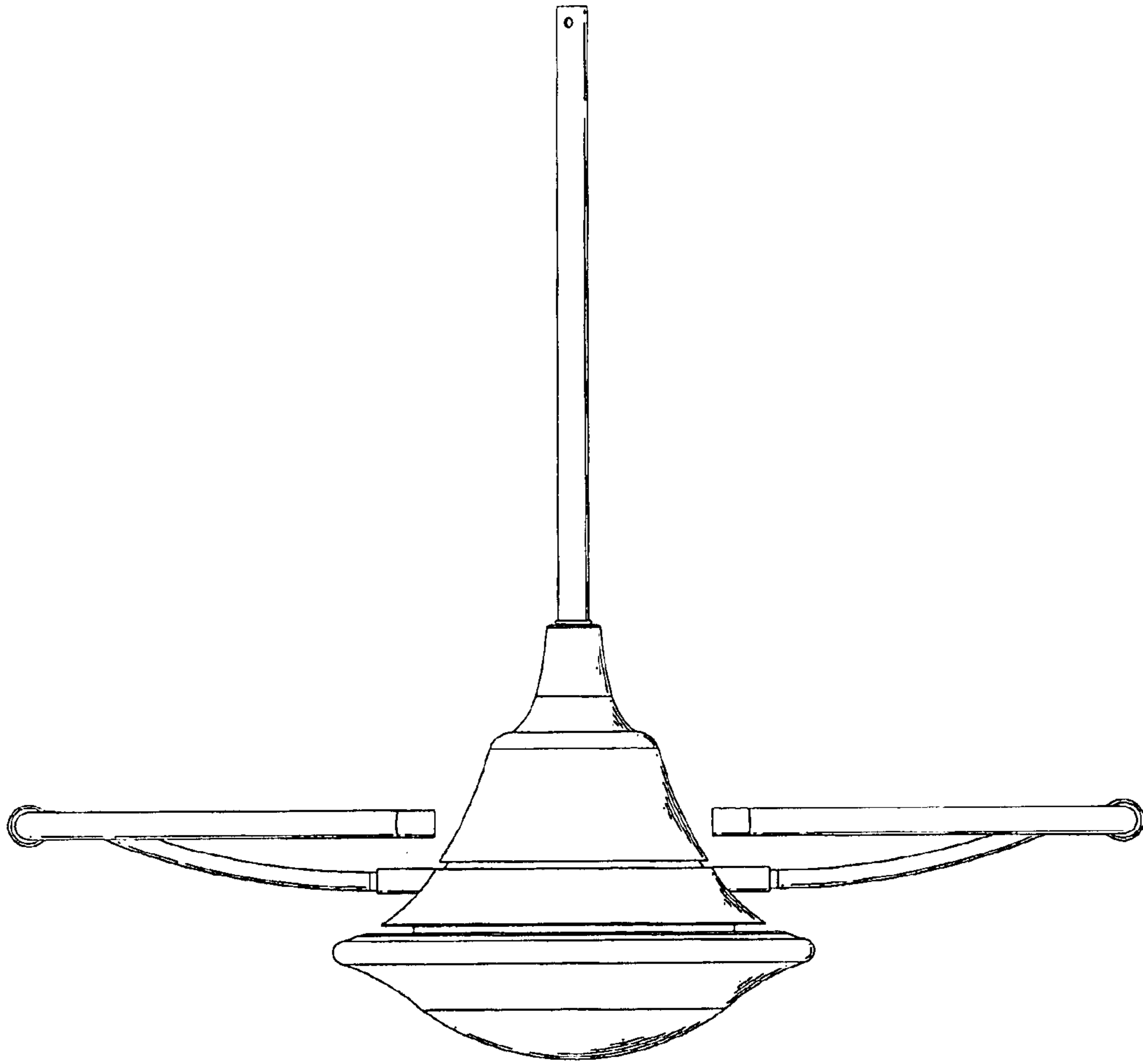


FIG. 5

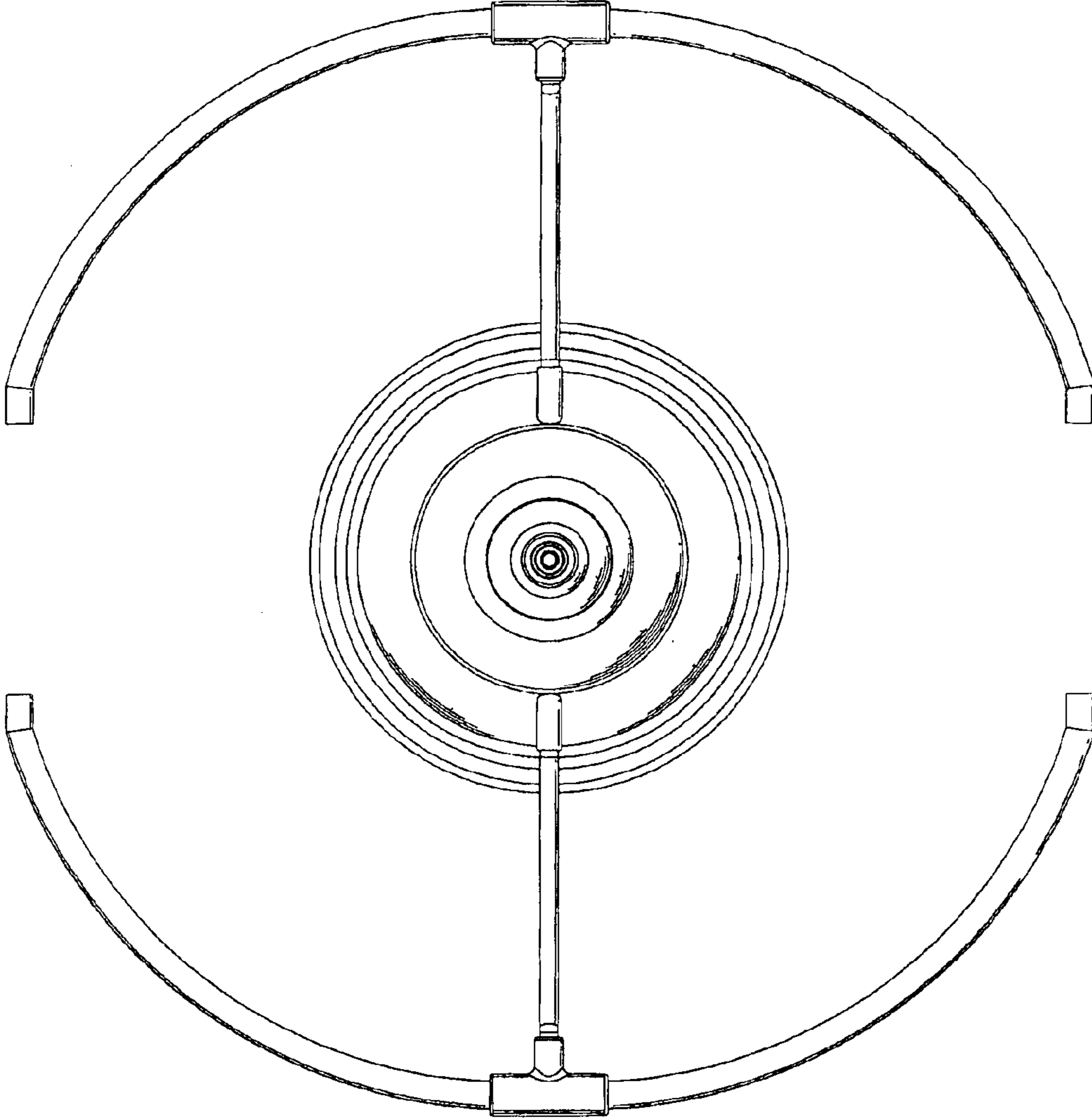


FIG. 6

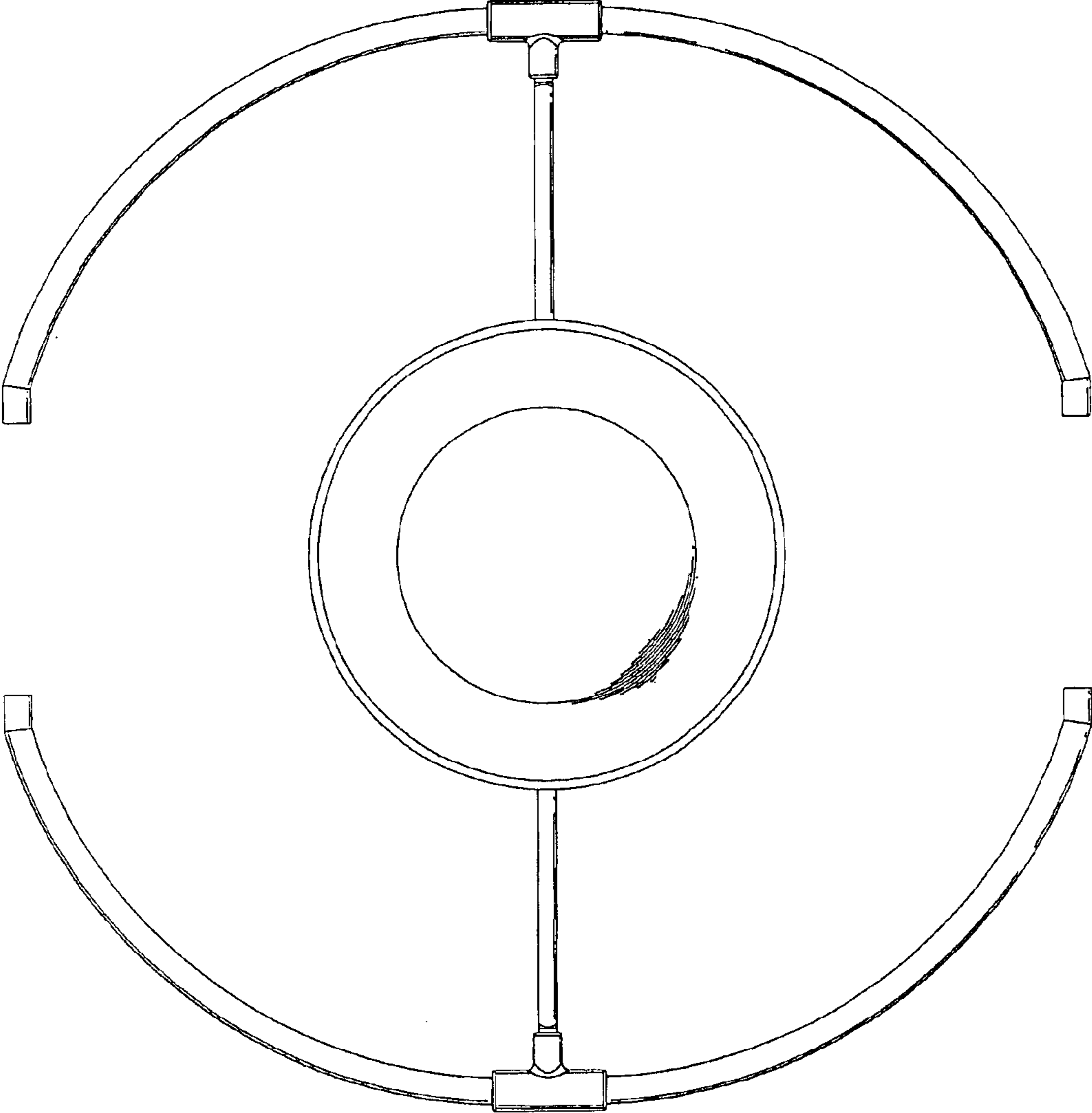


FIG. 7