

US00D507341S

(12) **United States Design Patent**
Taylor

(10) **Patent No.:** **US D507,341 S**
(45) **Date of Patent:** **** Jul. 12, 2005**

(54) **FRAGRANCE DISPENSER WITH
REPLACEABLE WICKS FOR HANGING
TOWELS**

6,158,668 A 12/2000 Burgeson
D437,041 S * 1/2001 Eisenbraun D23/366
6,264,887 B1 * 7/2001 Farmer 422/5
6,340,120 B1 1/2002 Seymour

(76) Inventor: **David S. Taylor**, 13085 Morris Rd.
#8109, Alpharetta, GA (US) 30004

* cited by examiner

(**) Term: **14 Years**

Primary Examiner—Antoine Duval Davis

Assistant Examiner—Sandra Snapp

(74) *Attorney, Agent, or Firm*—Donald R. Schoonover

(21) Appl. No.: **29/192,821**

(22) Filed: **Oct. 31, 2003**

(57) **CLAIM**

(51) **LOC (8) Cl.** **23-04**

I claim the ornamental design for a fragrance dispenser with replaceable wicks for hanging towels, as shown and described.

(52) **U.S. Cl.** **D23/368**

(58) **Field of Search** 239/135, 136,
239/58; 261/DIG. 17, DIG. 65; D23/356–369;
392/390, 392

DESCRIPTION

(56) **References Cited**

U.S. PATENT DOCUMENTS

984,352 A	*	2/1911	Costello	239/57
D48,392 S	*	1/1916	Loheide	D23/356
D55,446 S	*	6/1920	Wygold	D23/356
D235,239 S		6/1975	Cartwright		
4,318,892 A	*	3/1982	Von Kohorn	422/279
5,033,661 A		7/1991	Baun		
D348,369 S		7/1994	Nakamura		
5,494,218 A		2/1996	Armand		
D411,002 S	*	6/1999	Farmer	D23/366
D415,268 S	*	10/1999	Farmer	D23/366
D417,727 S	*	12/1999	Christianson	D23/366
6,123,906 A	*	9/2000	Farmer	422/124

FIG. 1 is a perspective view of a fragrance dispenser with replaceable wicks for hanging towels showing my new design;

FIG. 2 is a right side elevational view thereof, the left side elevational view being a mirror image thereof;

FIG. 3 is a front elevational view thereof;

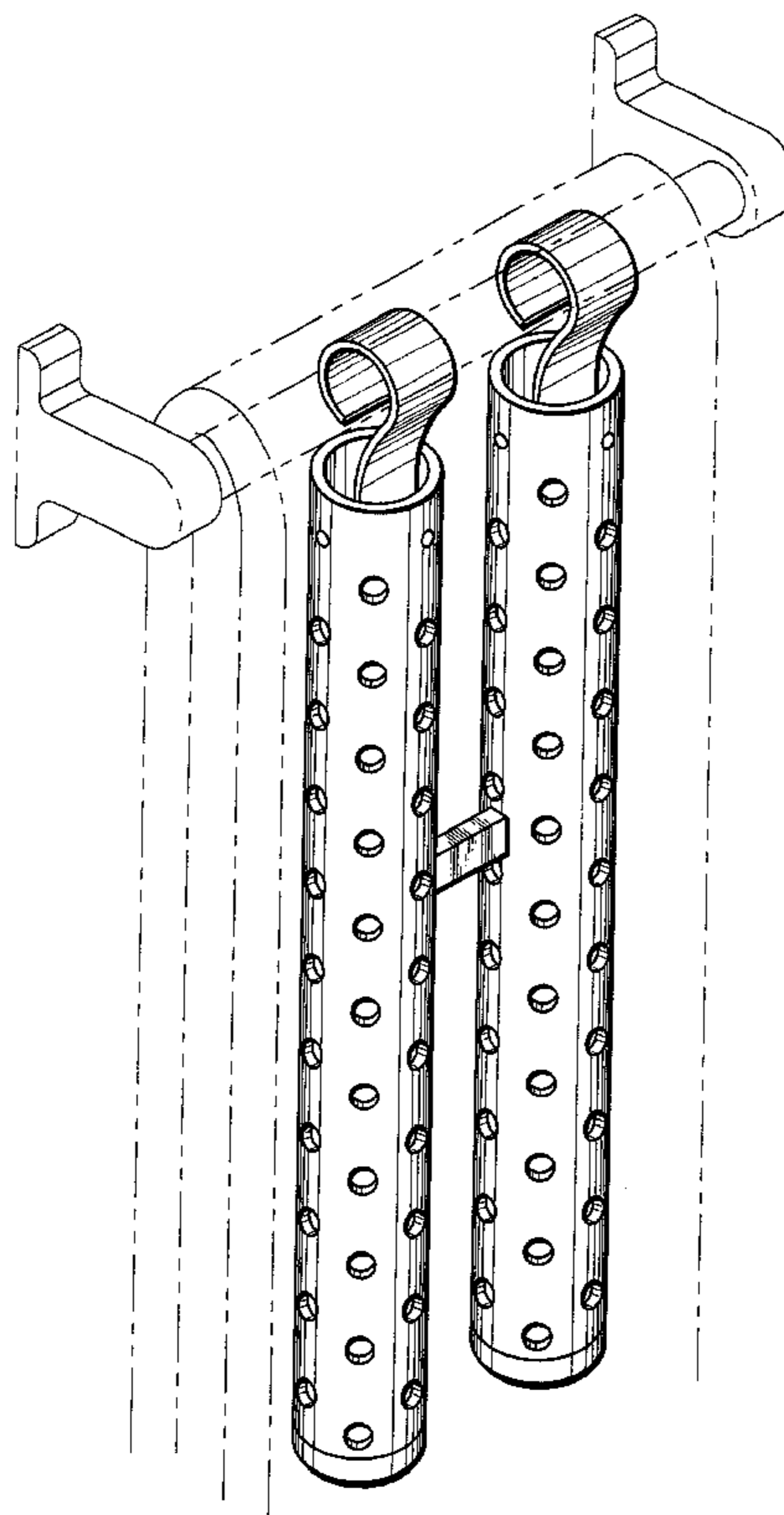
FIG. 4 is a rear elevational view thereof;

FIG. 5 is a top plan view thereof;

FIG. 6 is a bottom plan view thereof; and,

FIG. 7 is a perspective view showing the fragrance dispenser with replaceable wicks for hanging towels in use; the broken lines depict environmental structure for illustrative purposes only and form no part of the claimed design.

1 Claim, 4 Drawing Sheets



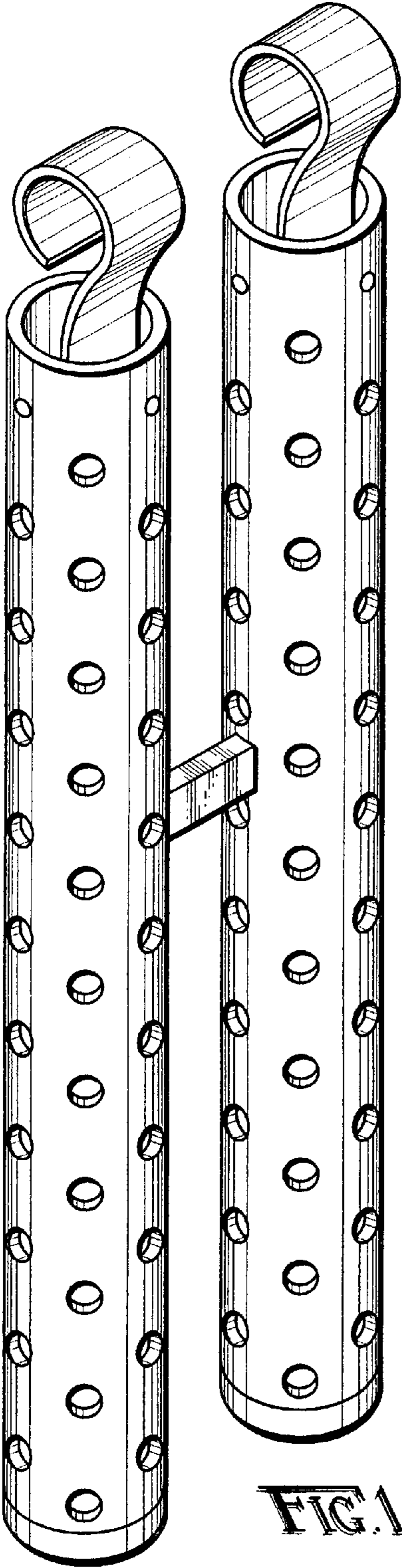


FIG. 1

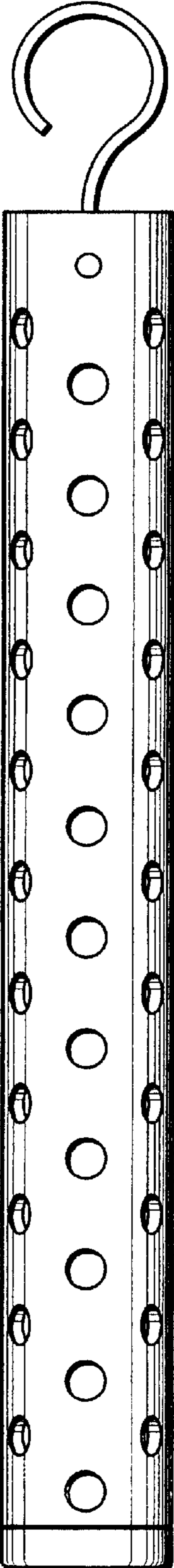


FIG. 2

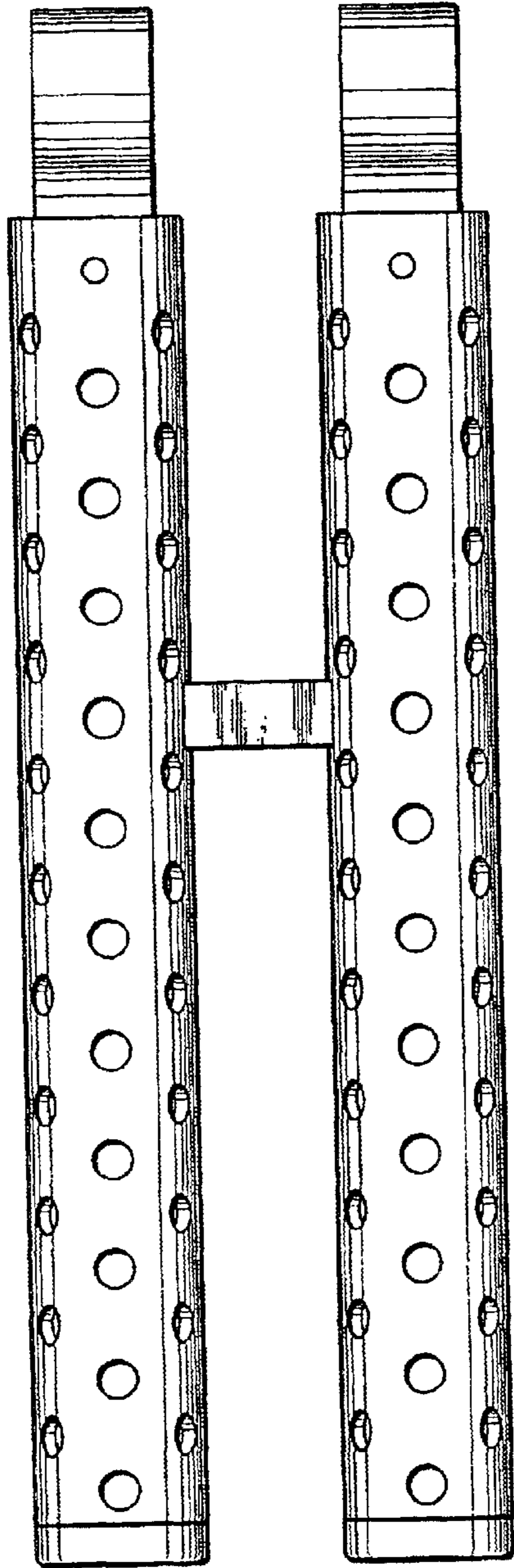


FIG. 3

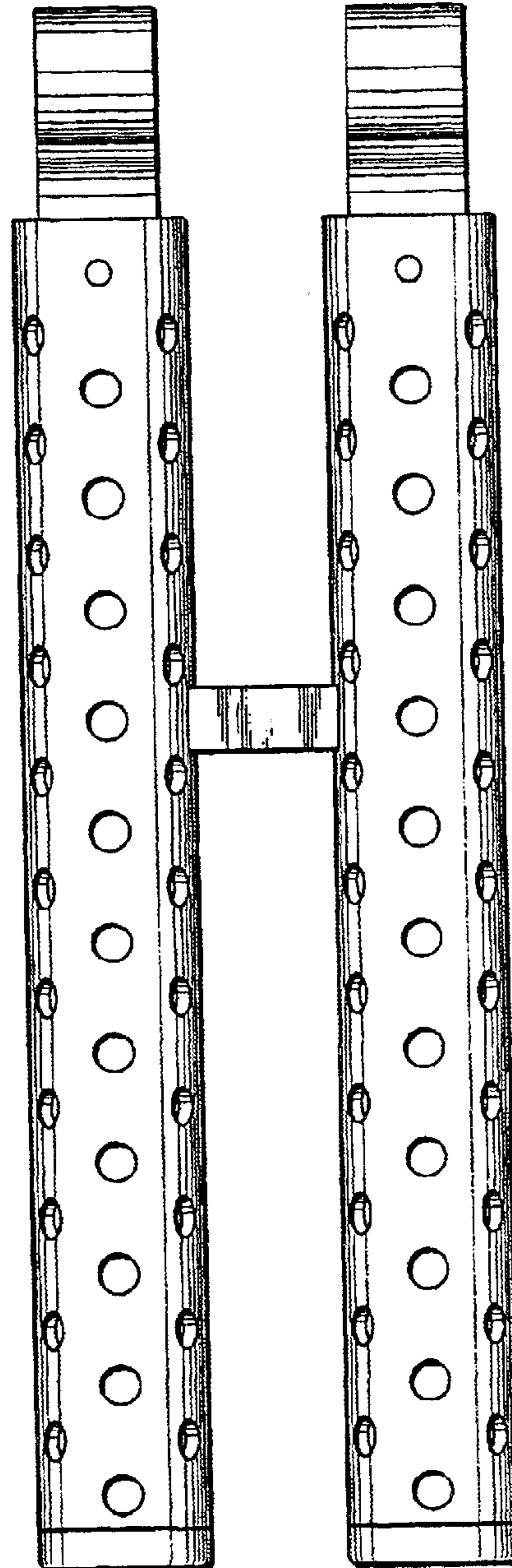


FIG. 4

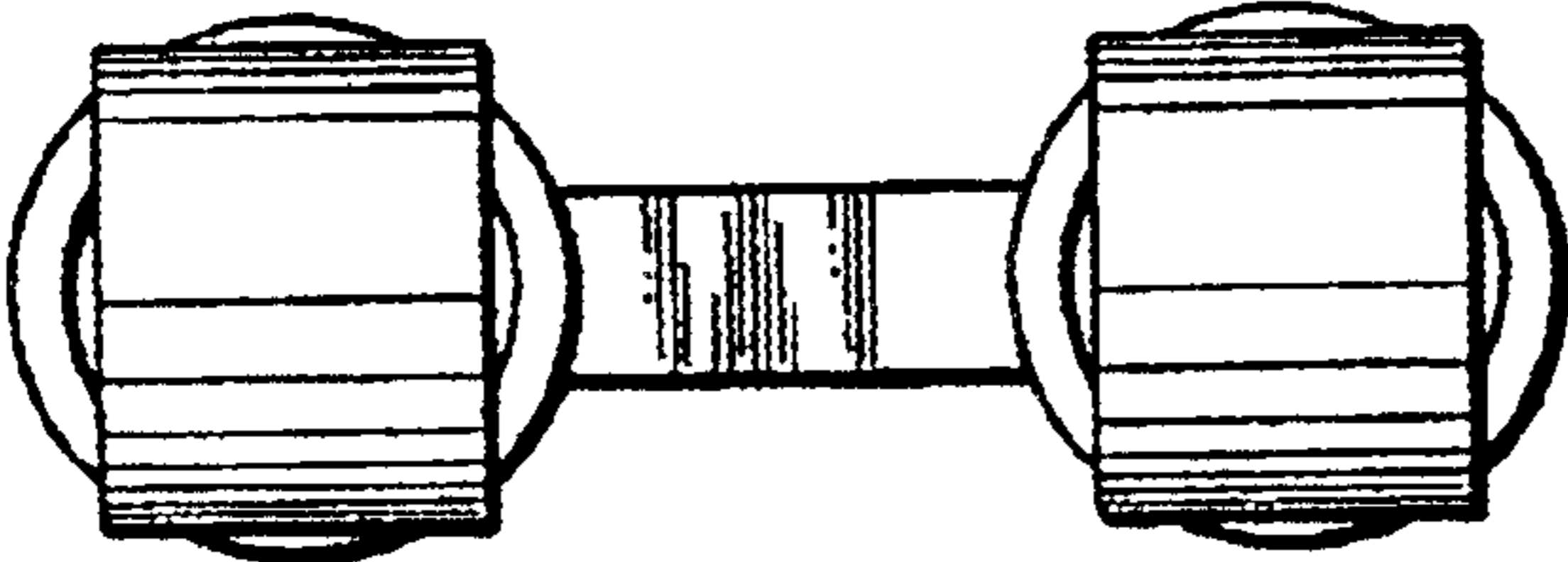


FIG. 5

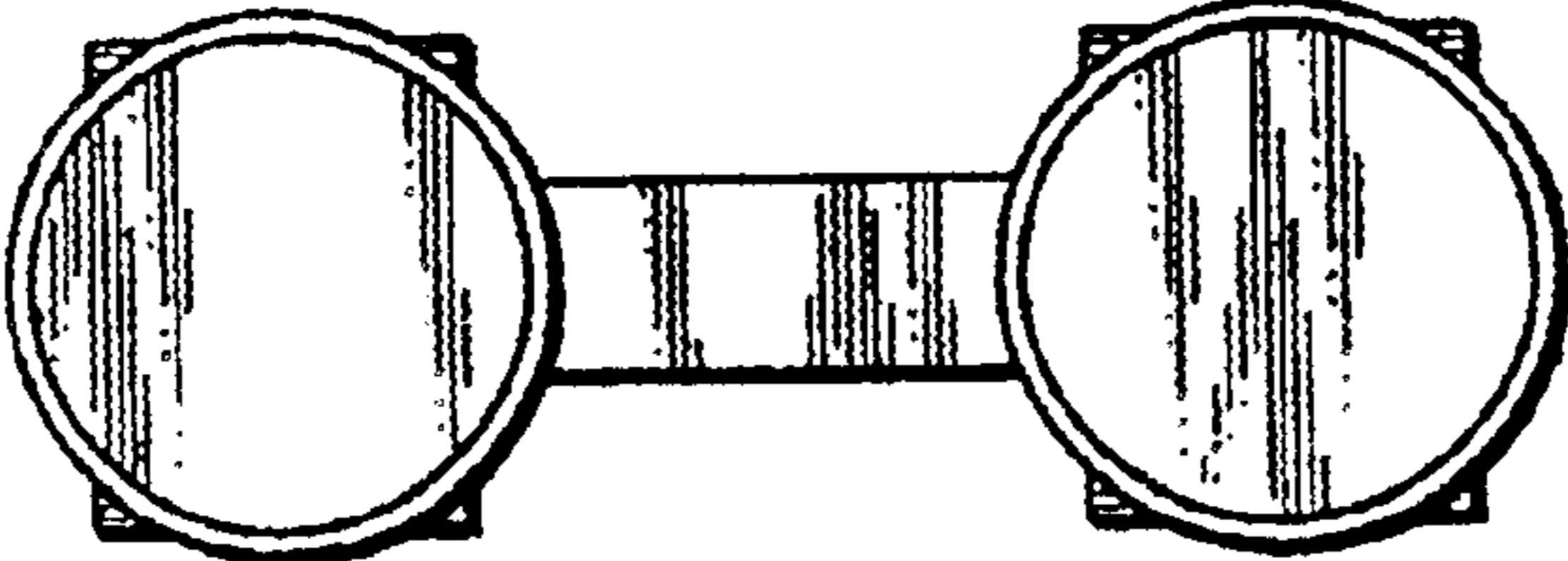


FIG. 6

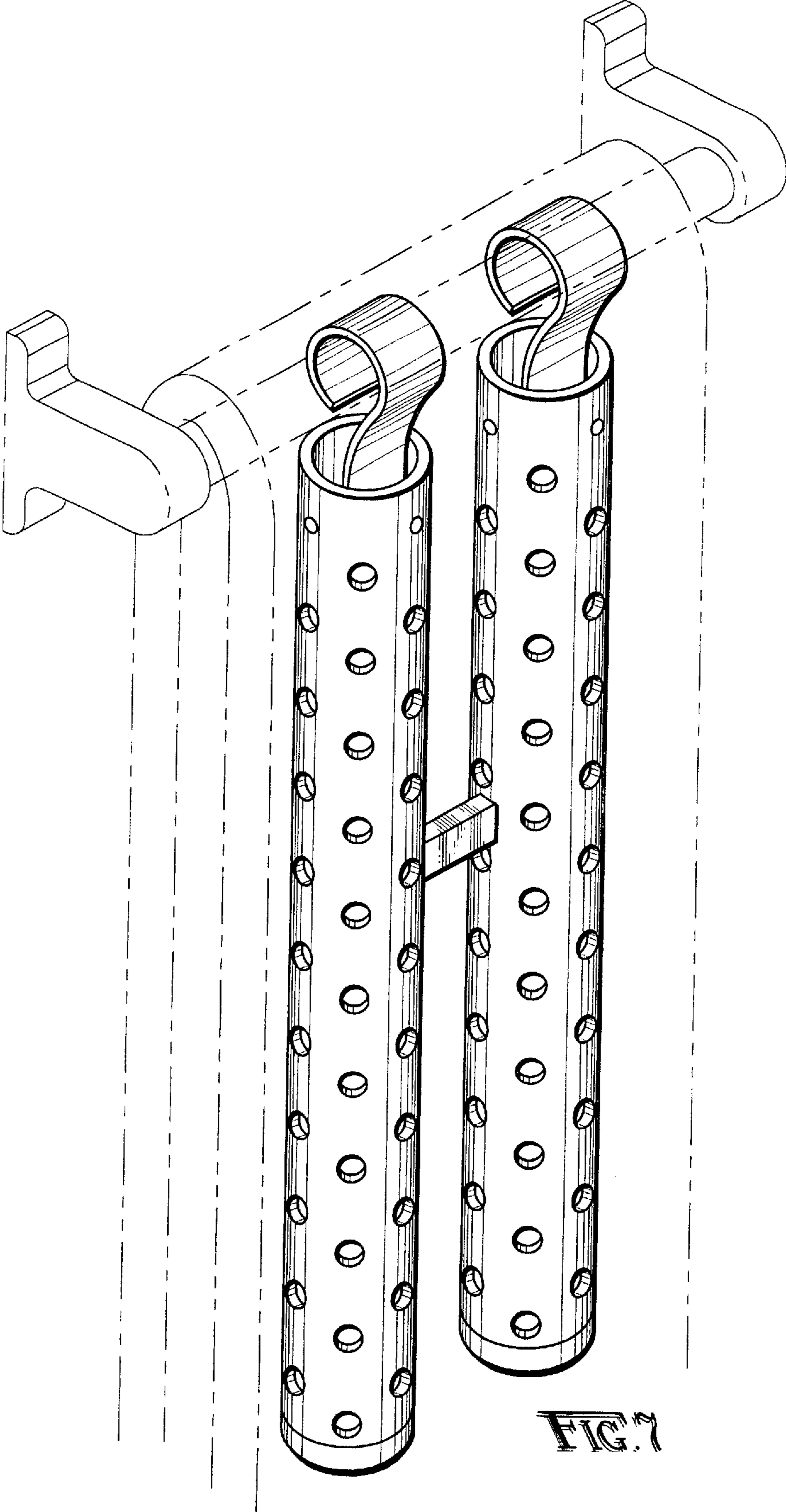


FIG. 7