

US00D507336S

(12) **United States Design Patent**  
**Takou**

(10) **Patent No.:** **US D507,336 S**

(45) **Date of Patent:** **\*\* Jul. 12, 2005**

(54) **WATER CLOSET**

D484,579 S \* 12/2003 Bennie ..... D23/295

(75) **Inventor:** **Hiroataka Takou, Kawasaki (JP)**

\* cited by examiner

(73) **Assignee:** **Toto Ltd., Fukuoka-Pref (JP)**

*Primary Examiner*—Robert A. Delehanty

(\*\*) **Term:** **14 Years**

(74) *Attorney, Agent, or Firm*—Birch, Stewart, Kolasch & Birch, LLP

(21) **Appl. No.:** **29/200,123**

(57) **CLAIM**

(22) **Filed:** **Feb. 25, 2004**

The ornamental design for a water closet, shown and described.

(51) **LOC (8) Cl.** ..... **23-02**

(52) **U.S. Cl.** ..... **D23/301**

(58) **Field of Search** ..... D23/270–271,  
D23/273–274, 295, 299, 301, 303, 309;  
4/663–664, 300, 329, 420, 449, DIG. 15,  
443–446

**DESCRIPTION**

FIG. 1 is a perspective view of the front, top and left side of a water closet showing my new design;  
FIG. 2 is a front view thereof;  
FIG. 3 is a rear view thereof;  
FIG. 4 is a right side view thereof; and,  
FIG. 5 is a top plan view thereof.

(56) **References Cited**

**U.S. PATENT DOCUMENTS**

D390,930 S \* 2/1998 Slothower ..... D23/295

**1 Claim, 5 Drawing Sheets**

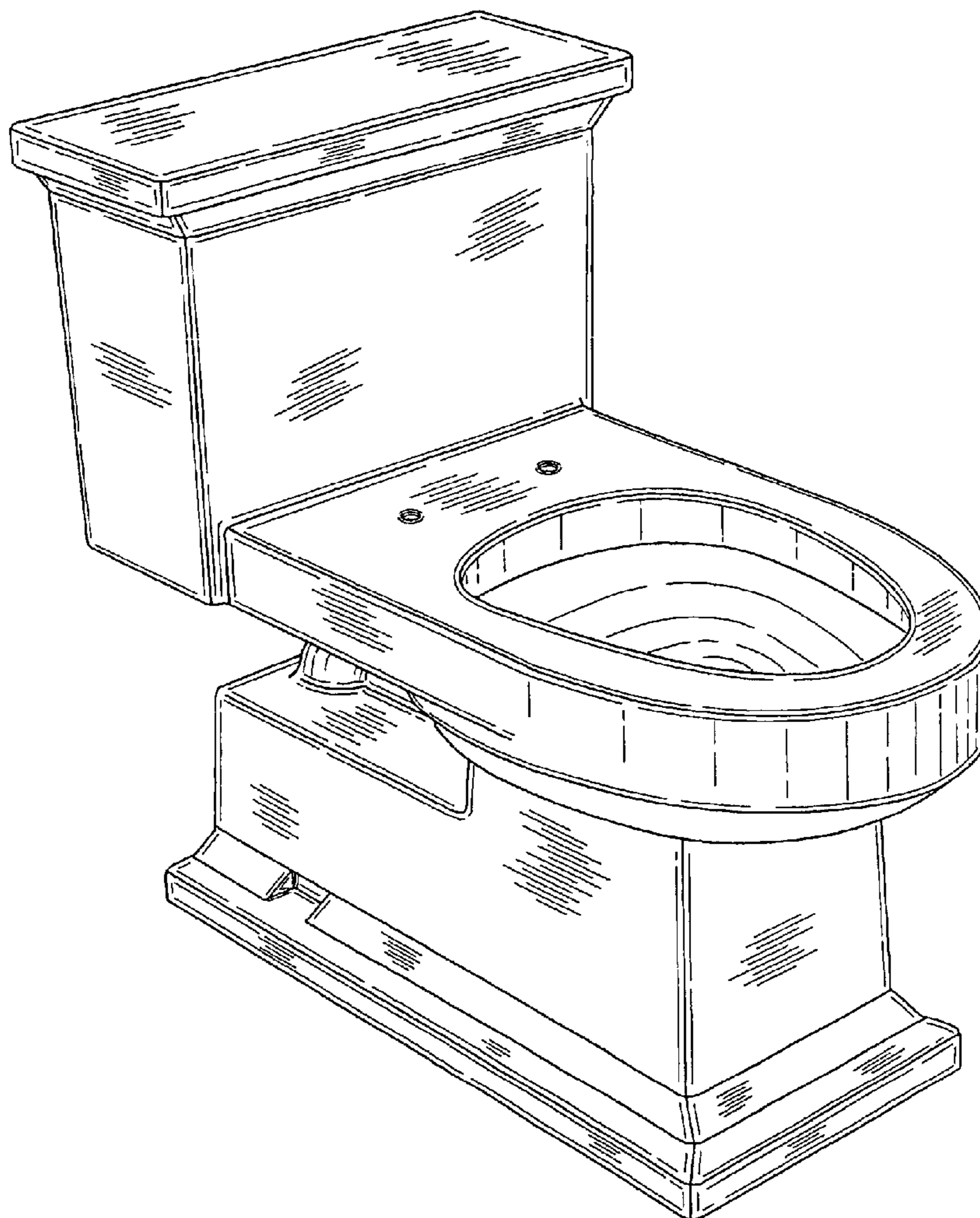


FIG. 1

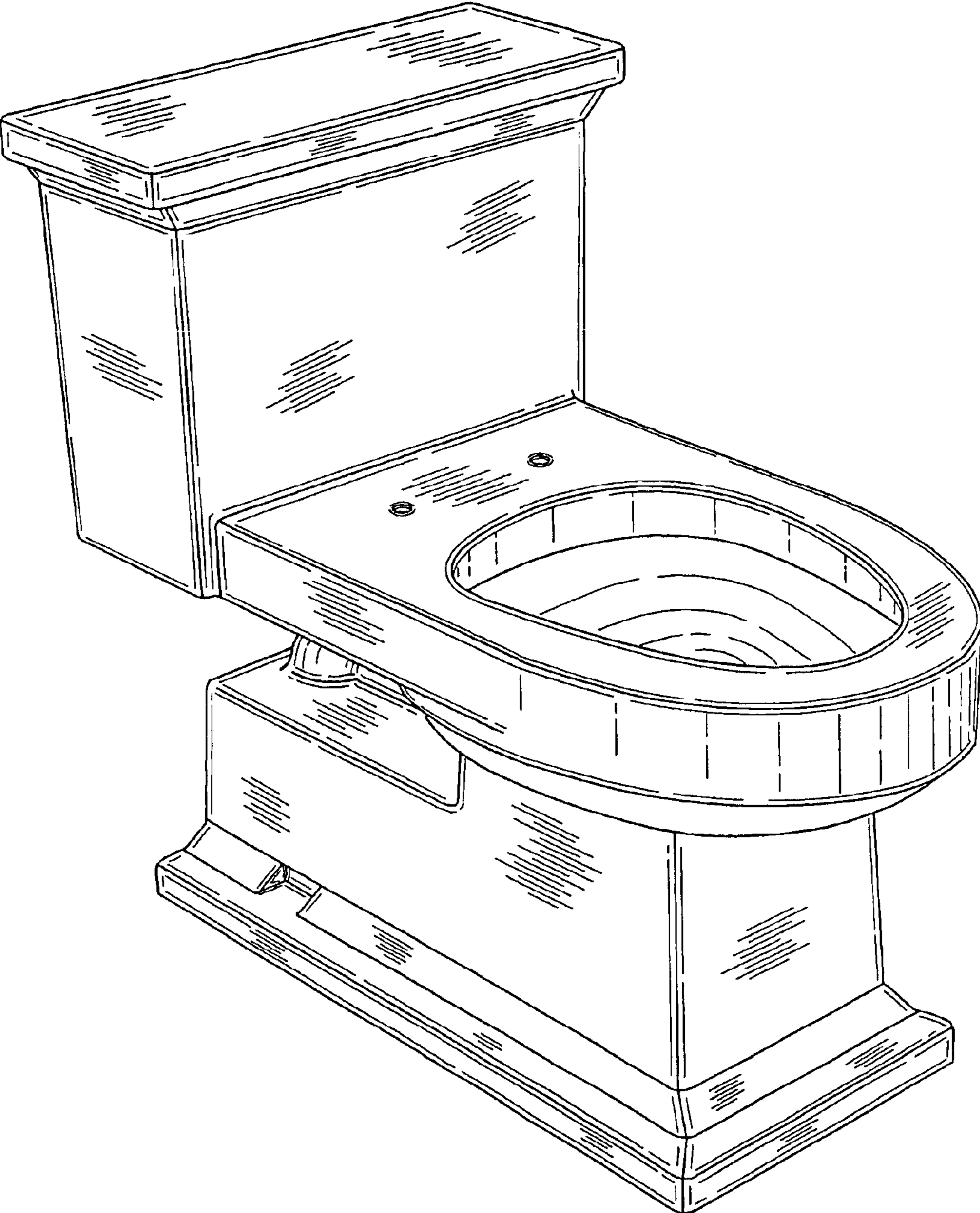


FIG. 2

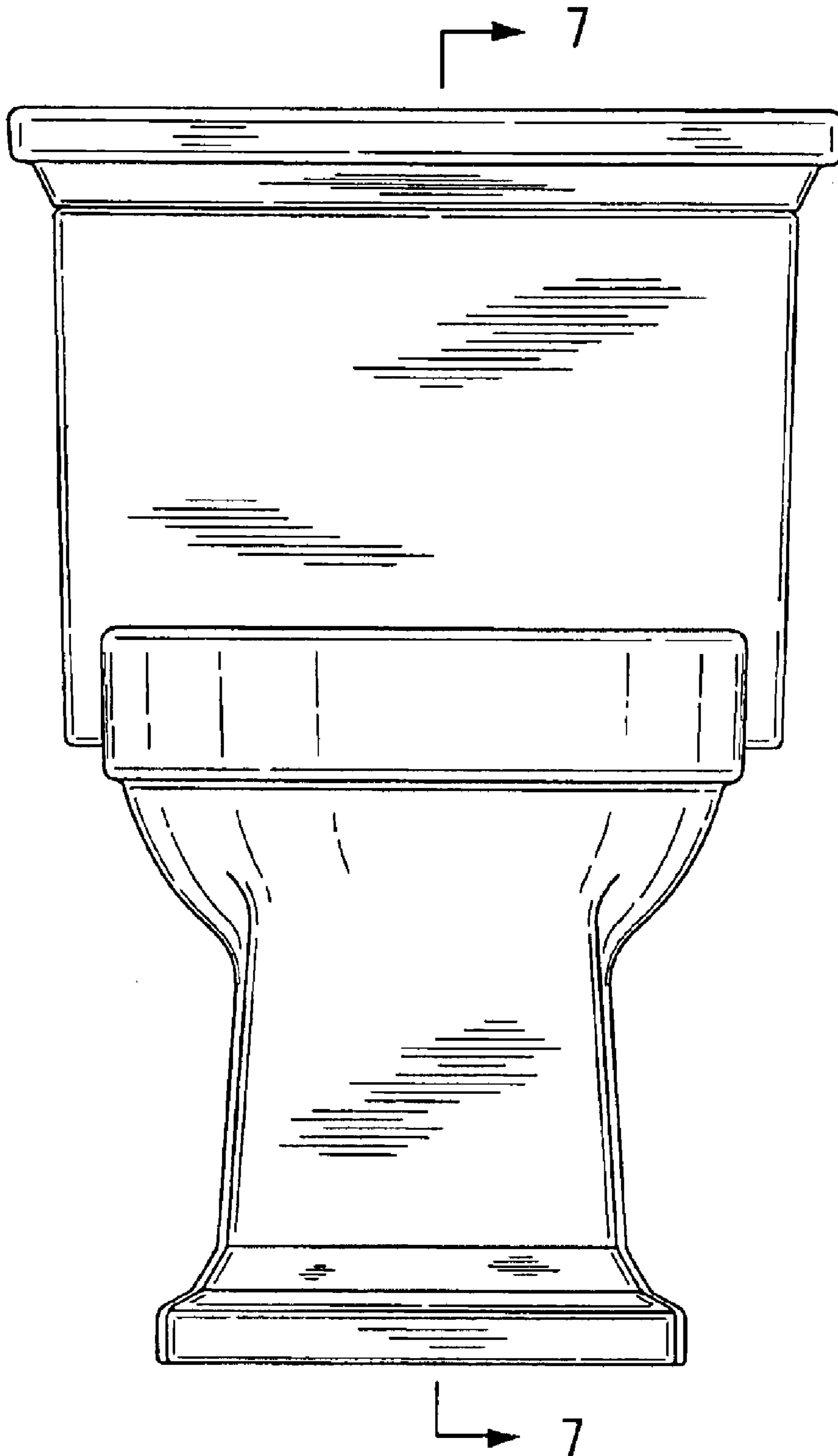


FIG. 3

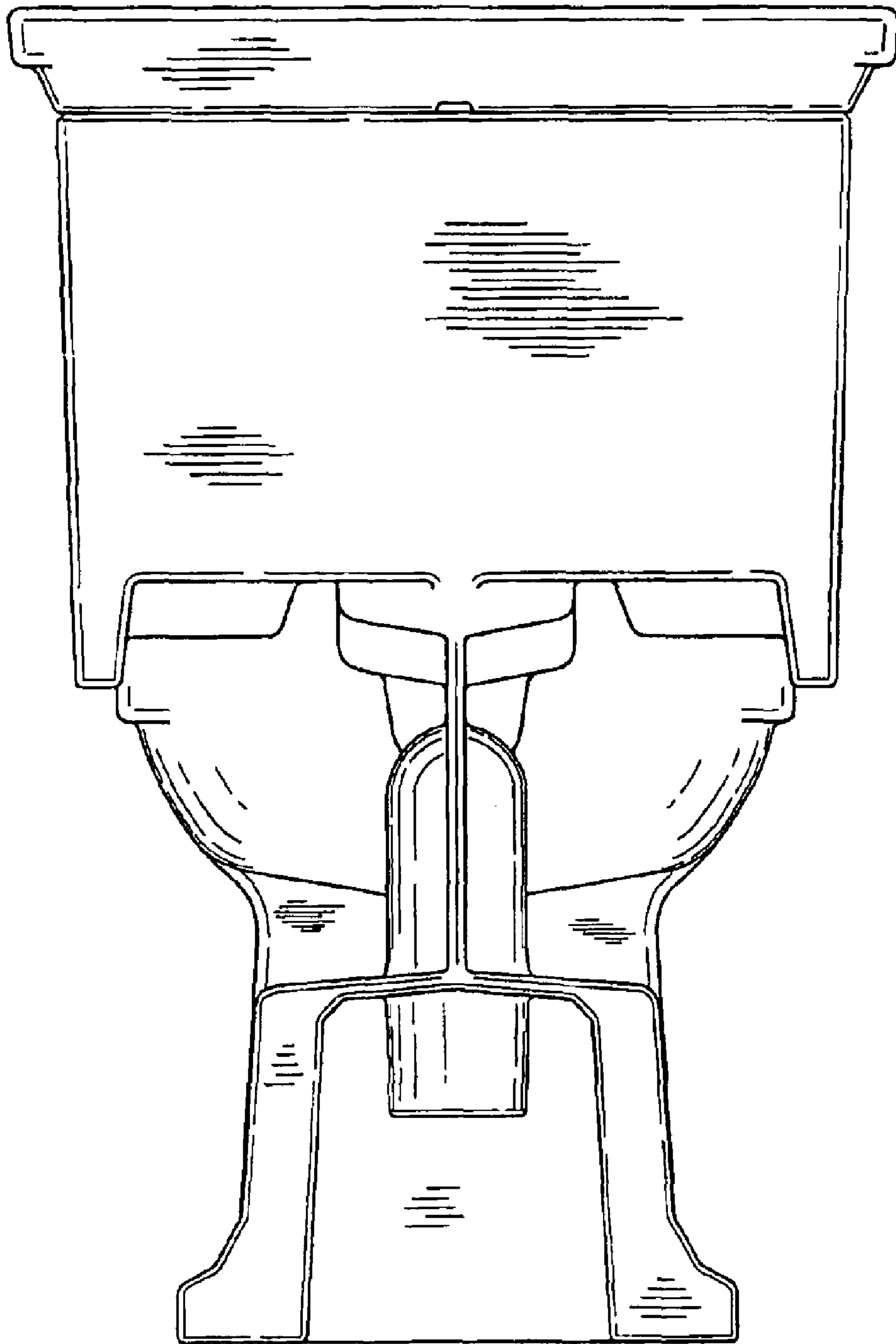


FIG. 4

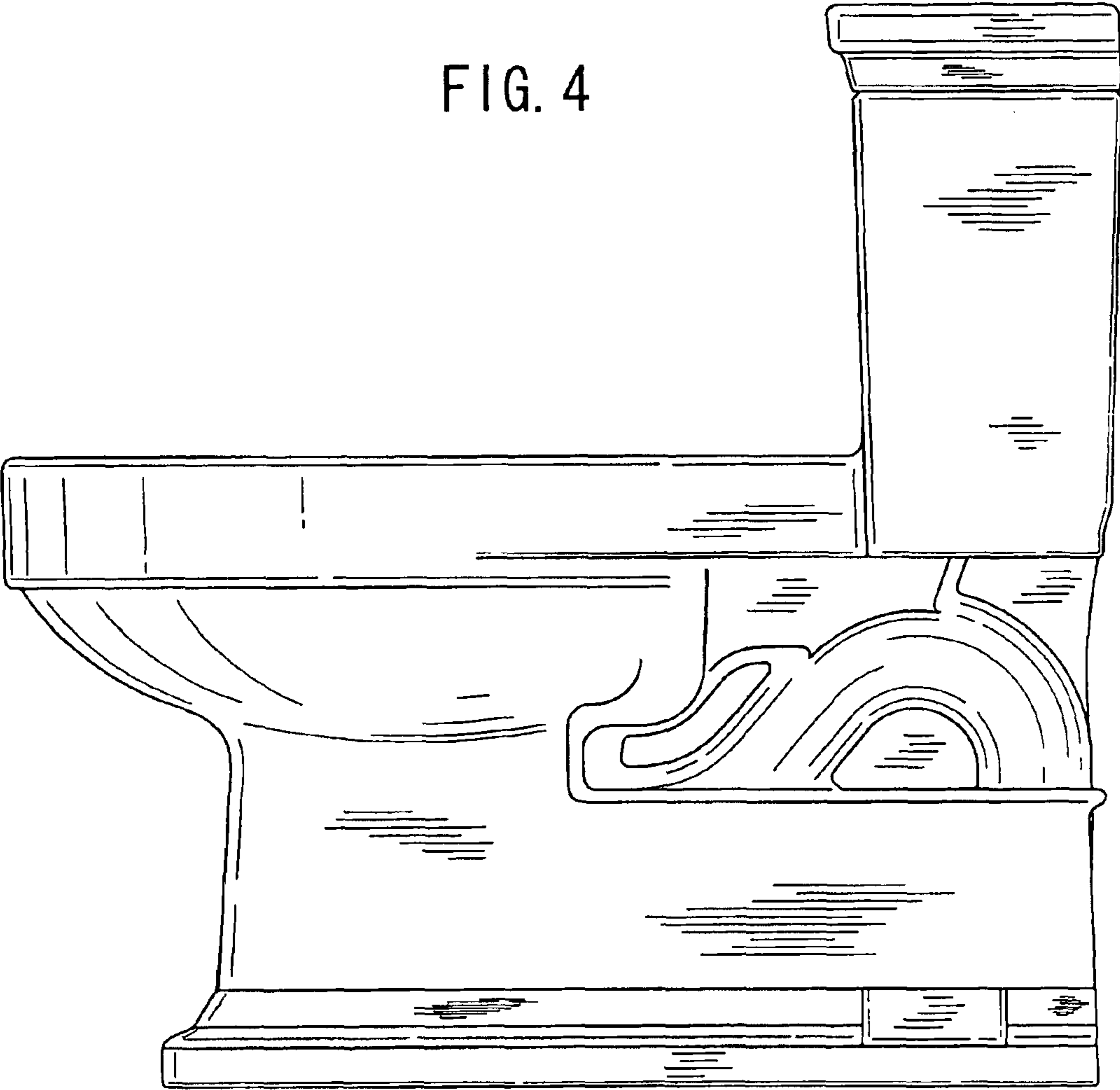


FIG. 5

