

US00D507335S

(12) **United States Design Patent**
Gordon

(10) **Patent No.:** **US D507,335 S**
(45) **Date of Patent:** **** Jul. 12, 2005**

(54) **BASE FOR A WATER CLOSET**

(75) Inventor: **William F. Gordon**, Sheboygan Falls, WI (US)

(73) Assignee: **Kohler Co.**, Kohler, WI (US)

(**) Term: **14 Years**

(21) Appl. No.: **29/195,510**

(22) Filed: **Dec. 12, 2003**

(51) **LOC (8) Cl.** **23-02**

(52) **U.S. Cl.** **D23/295**

(58) **Field of Search** D23/270–271,
D23/273–274, 295, 299, 301, 303, 309;
4/663–664, 300, 329, 420, 449, DIG. 15

(56) **References Cited**

U.S. PATENT DOCUMENTS

D217,551 S	*	5/1970	Manning	D23/295
D226,432 S	*	3/1973	Anderson	D23/313
D310,407 S	*	9/1990	Stairs, Jr.	D23/301
D355,709 S	*	2/1995	Osada	D23/295
D410,998 S	*	6/1999	Jones	D23/301
D438,939 S	*	3/2001	Kawamura	D23/295
D472,310 S	*	3/2003	Kawamura	D23/301

OTHER PUBLICATIONS

2000 Kohler catalog ad, p. 15.18, showing a “Wellworth” toilet.
Undated Allia catalog ad showing an “Optima” toilet, admitted prior art.
Undated Sterling catalog ad showing a “Windham” toilet, admitted prior art.

2000 Kohler catalog ad, p. 17.3, showing “Highline” and “Wellworth” toilets.

Undated Jacob Delafon catalog ad showing a “Brive 2” toilet, admitted prior art.

1984 Ideal Standard catalog ad, p. 35, showing a “Tulip” toilet.

* cited by examiner

Primary Examiner—Robert A Delehanty

(74) *Attorney, Agent, or Firm*—Quarles & Brady LLP

(57) **CLAIM**

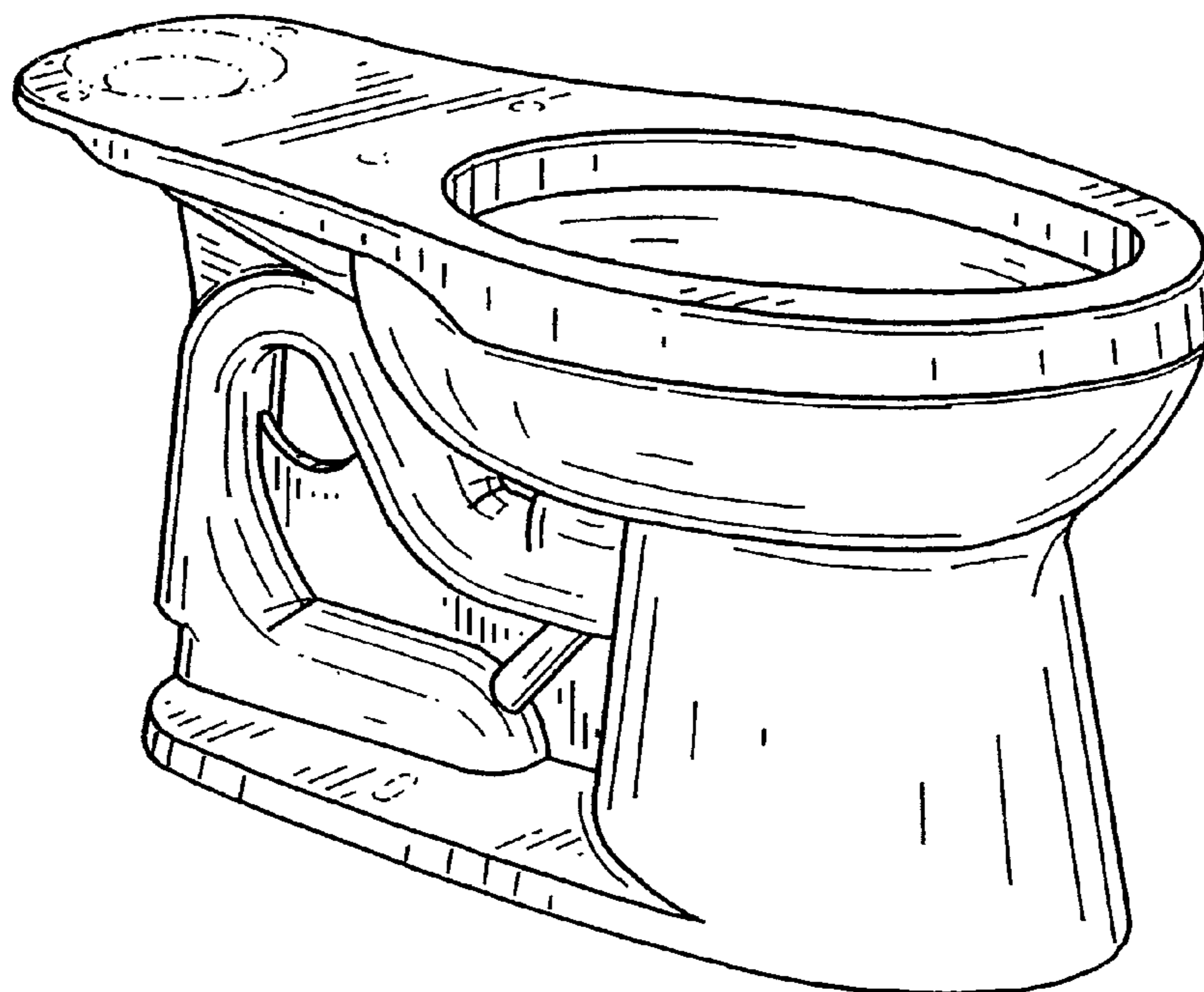
The ornamental design for a base for a water closet, as shown and described.

DESCRIPTION

In a preferred embodiment, the nature of this product is as a plumbing fixture in the form of a base for a water closet. FIG. 1 is a left, top, front perspective view of a base for a water closet embodying my new design; FIG. 2 is a top plan view thereof; FIG. 3 is a left side elevational view thereof; FIG. 4 is a front elevational view thereof; FIG. 5 is a right side elevational view thereof; FIG. 6 is a rear elevational view thereof; and, FIG. 7 is a bottom plan view thereof (the portion of the base which is not seen in normal use is shown for illustration purposes only).

The broken line representations of holes in FIGS. 1, 2, and 7 and of mounting structure in FIGS. 1, 2 and 7 are for the purpose of illustration only, and form no part of the claimed design.

1 Claim, 3 Drawing Sheets



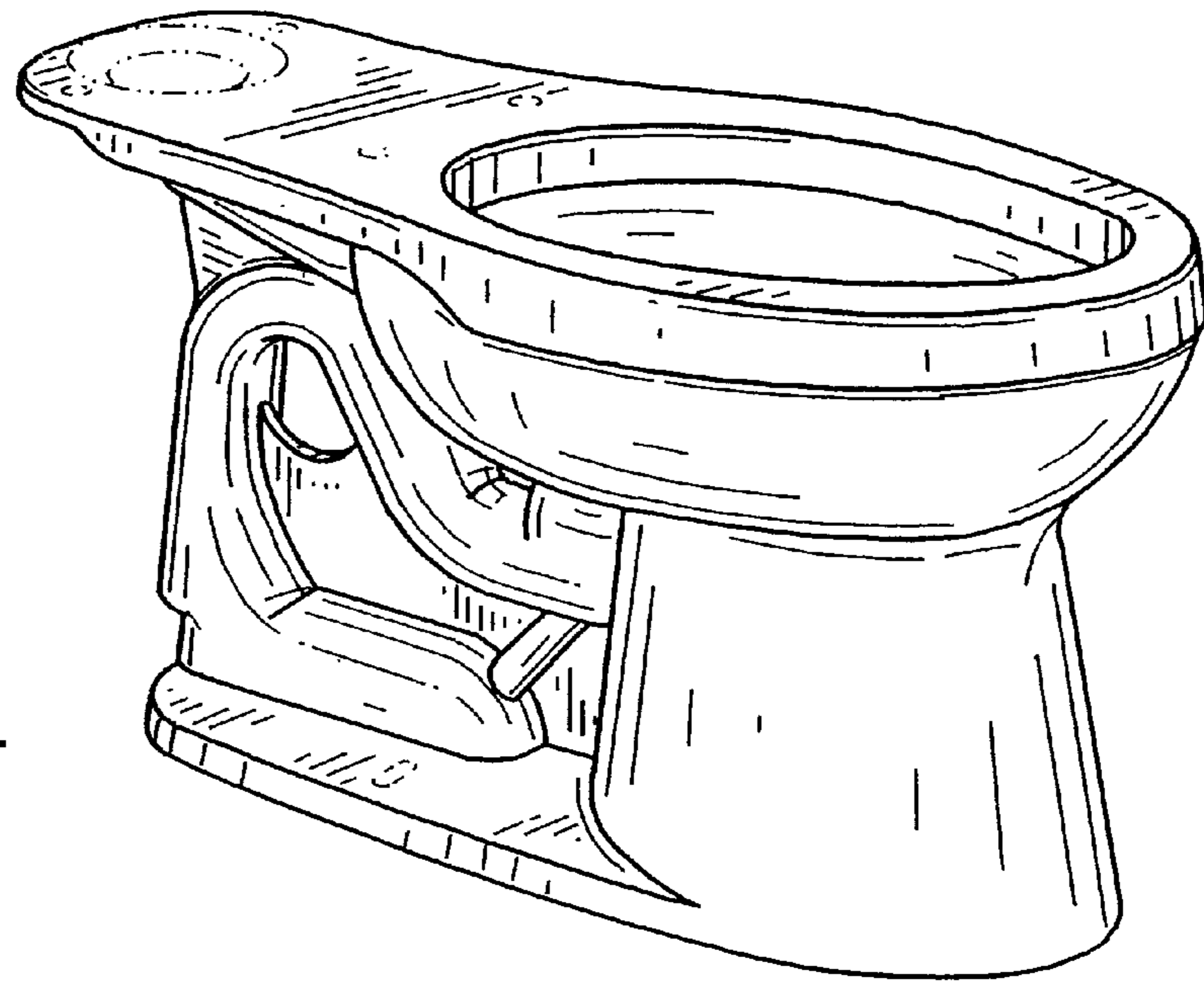
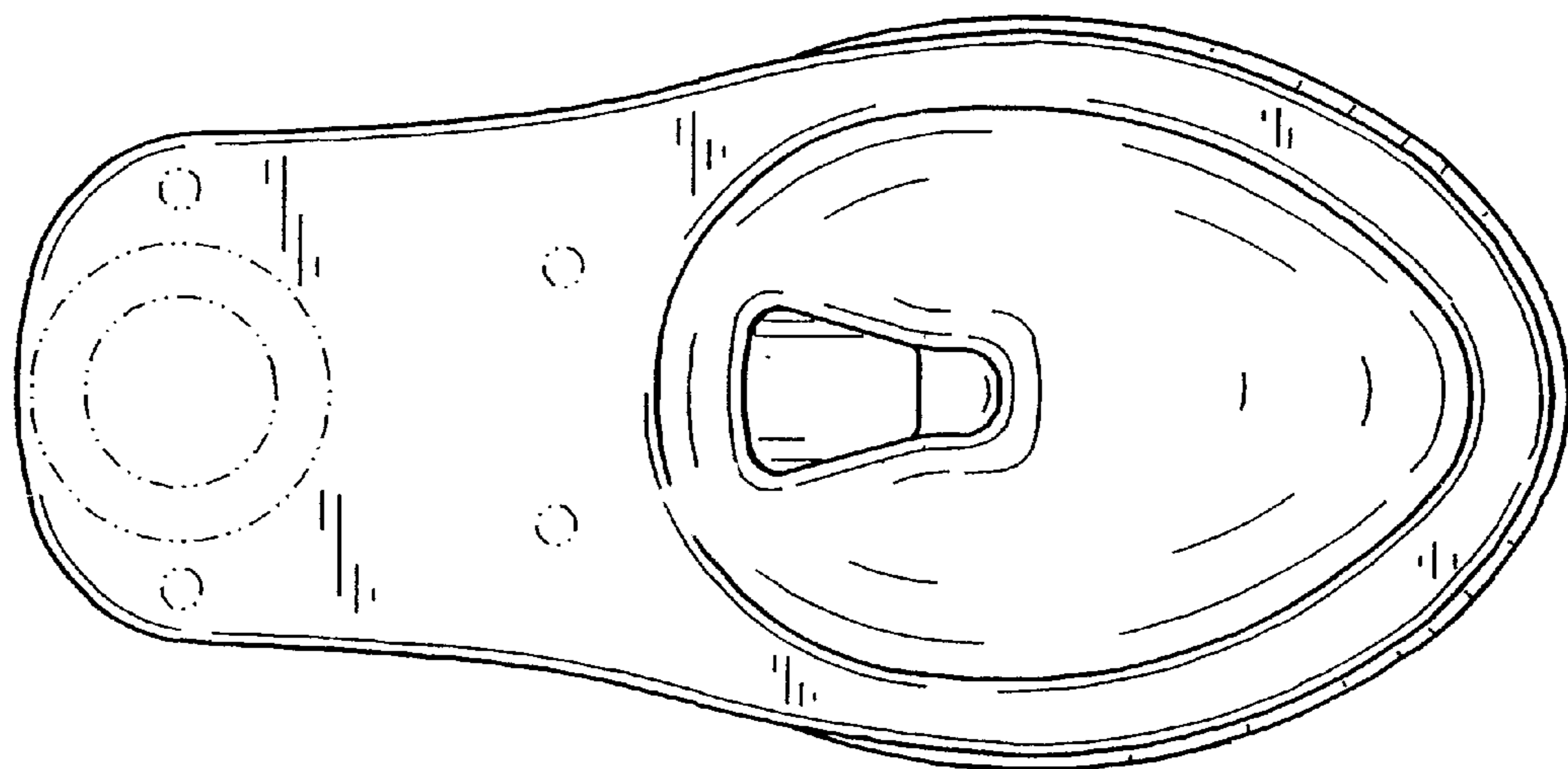


FIG. 1

FIG. 2



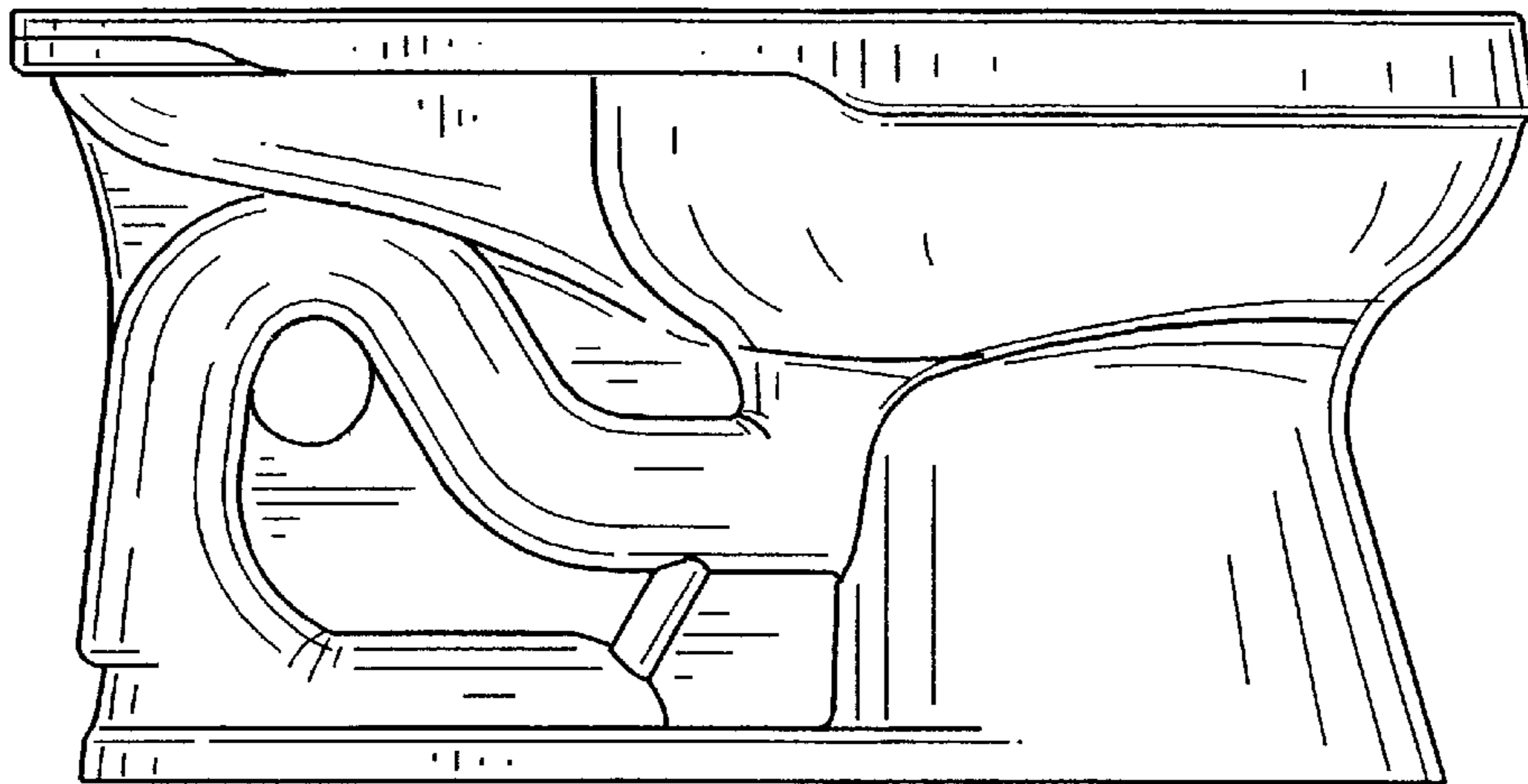


FIG. 3

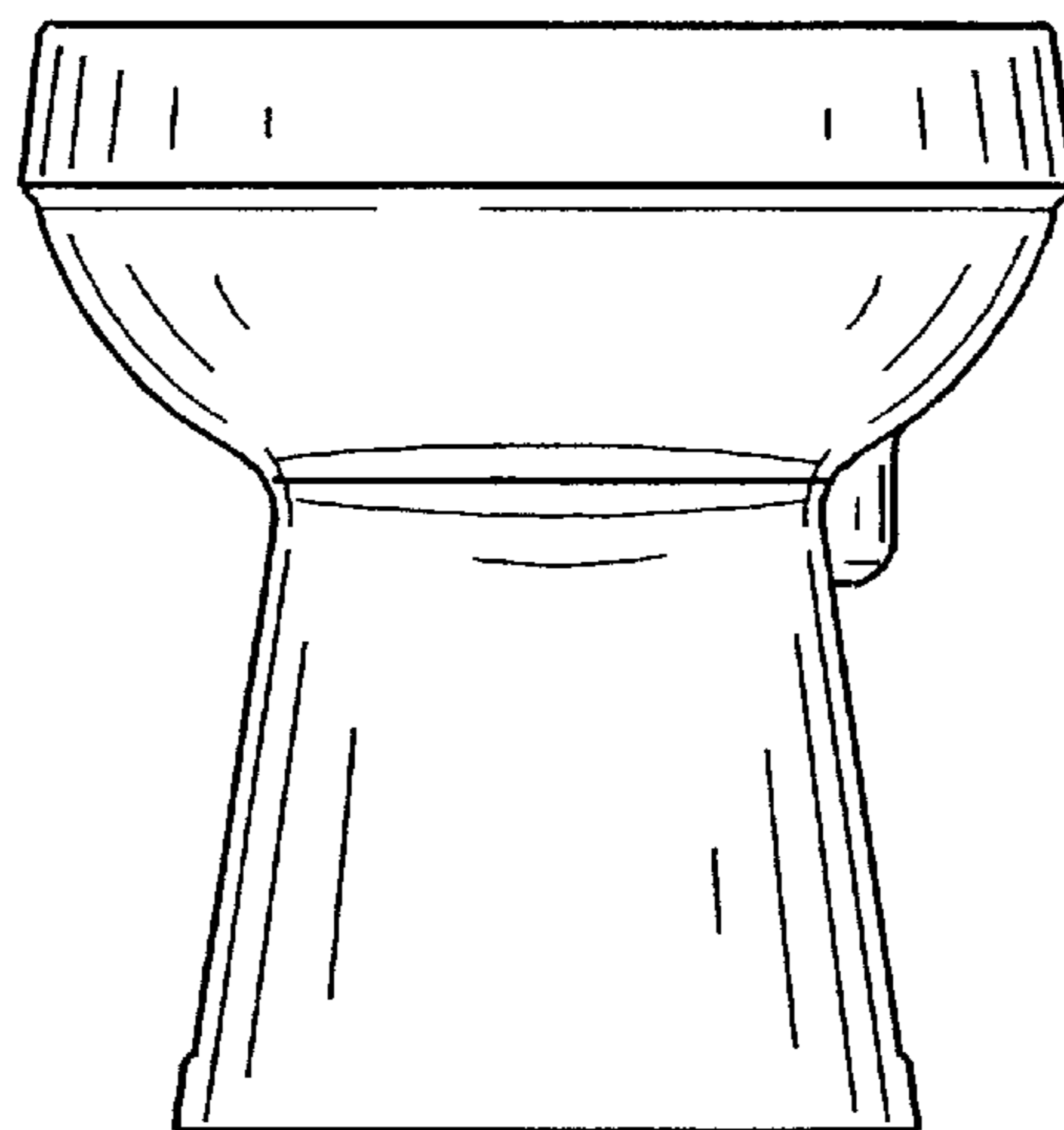


FIG. 4

FIG. 5

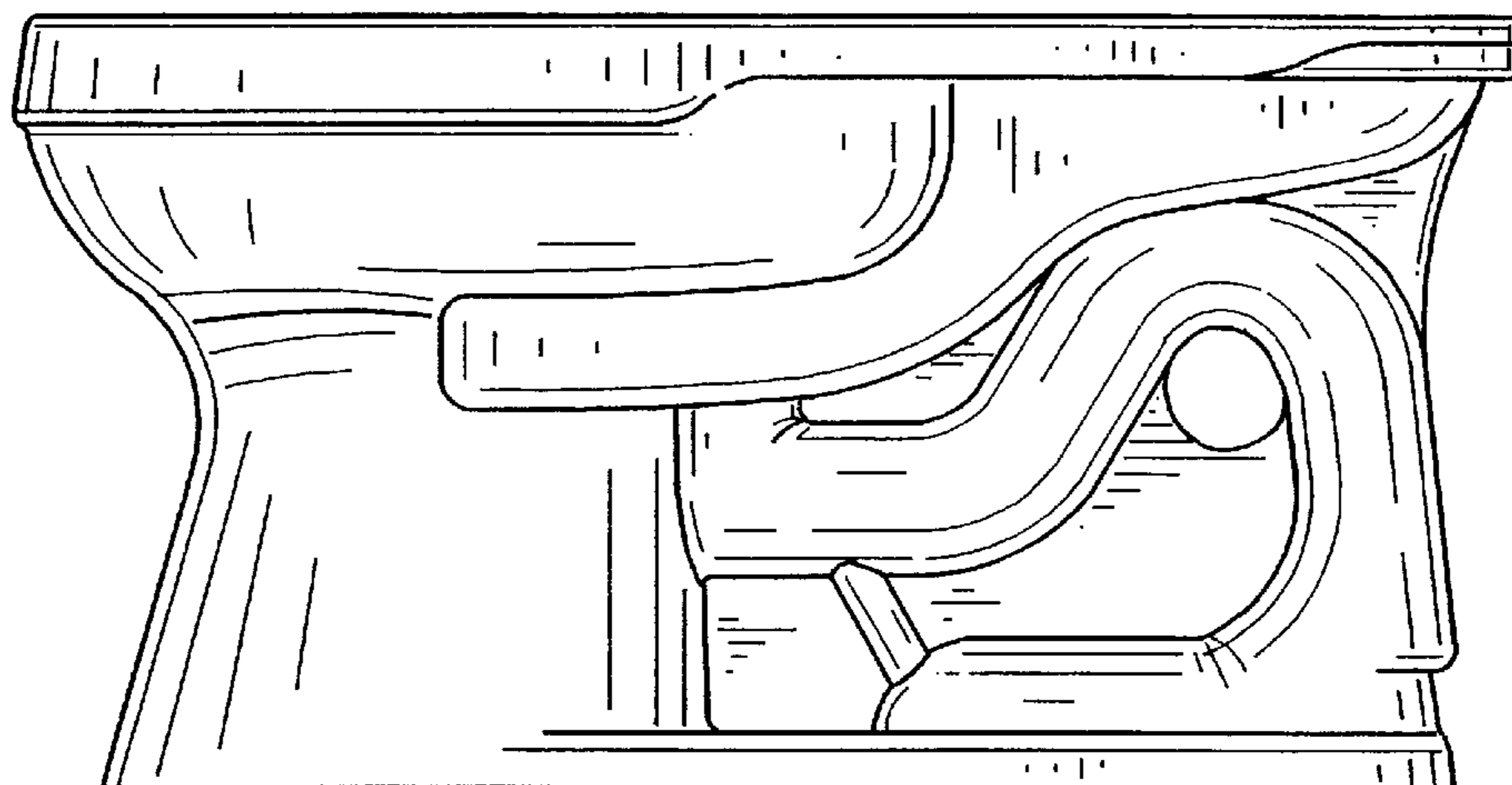


FIG. 6

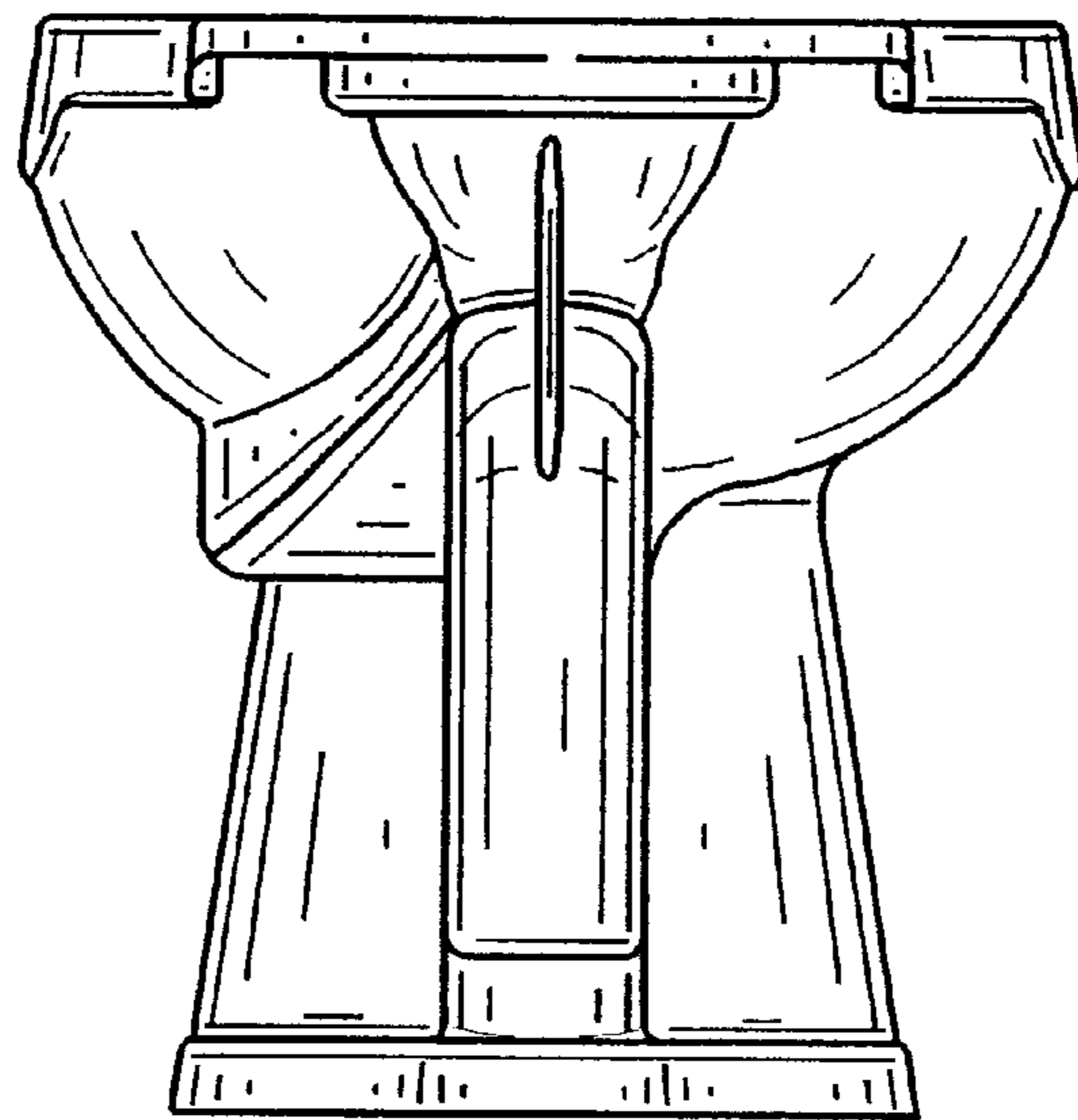


FIG. 7

