

US00D507334S

(12) **United States Design Patent**
Ferrer Beltran

(10) **Patent No.:** **US D507,334 S**
(45) **Date of Patent:** **** Jul. 12, 2005**

(54) **WASHBASIN**

(75) **Inventor:** **Jose M. Ferrer Beltran, Bonrepos (ES)**

(73) **Assignee:** **Sonia, S.A. (ES)**

(**) **Term:** **14 Years**

(21) **Appl. No.:** **29/207,193**

(22) **Filed:** **Jun. 9, 2004**

(51) **LOC (8) Cl.** **23-02**

(52) **U.S. Cl.** **D23/293.1**

(58) **Field of Search** **D23/270-273,**
D23/284-292, 293.1, 303, 308; 4/662, 619,
624, 638, 643, 661, 630-631, 637

(56) **References Cited**

U.S. PATENT DOCUMENTS

D463,538 S * 9/2002 Chipperfield D23/284

* cited by examiner

Primary Examiner—Robert A. Delehanty

(74) *Attorney, Agent, or Firm*—Lackenbach Siegel, LLP

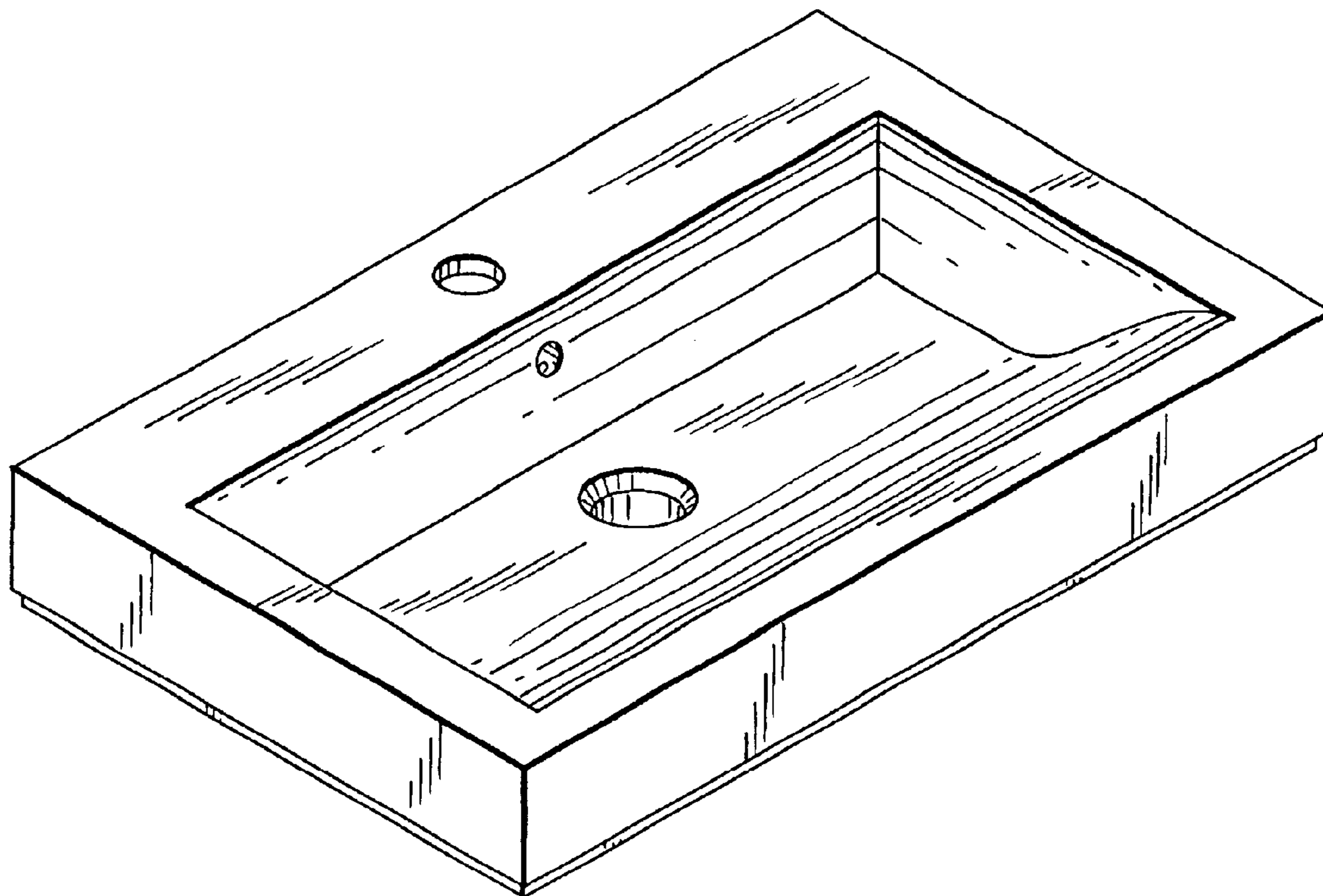
(57) **CLAIM**

The ornamental design for the washbasin, as shown and described.

DESCRIPTION

FIG. 1 is a front perspective view of the washbasin;
FIG. 2 is a top plan view of the washbasin of FIG. 1;
FIG. 3 is a front elevational view of the washbasin of FIG. 1;
FIG. 4 is a side elevational view of the washbasin of FIG. 1;
FIG. 5 is a rear elevational view of the washbasin of FIG. 1;
and,
FIG. 6 is a bottom plan view of the washbasin of FIG. 1.

1 Claim, 3 Drawing Sheets



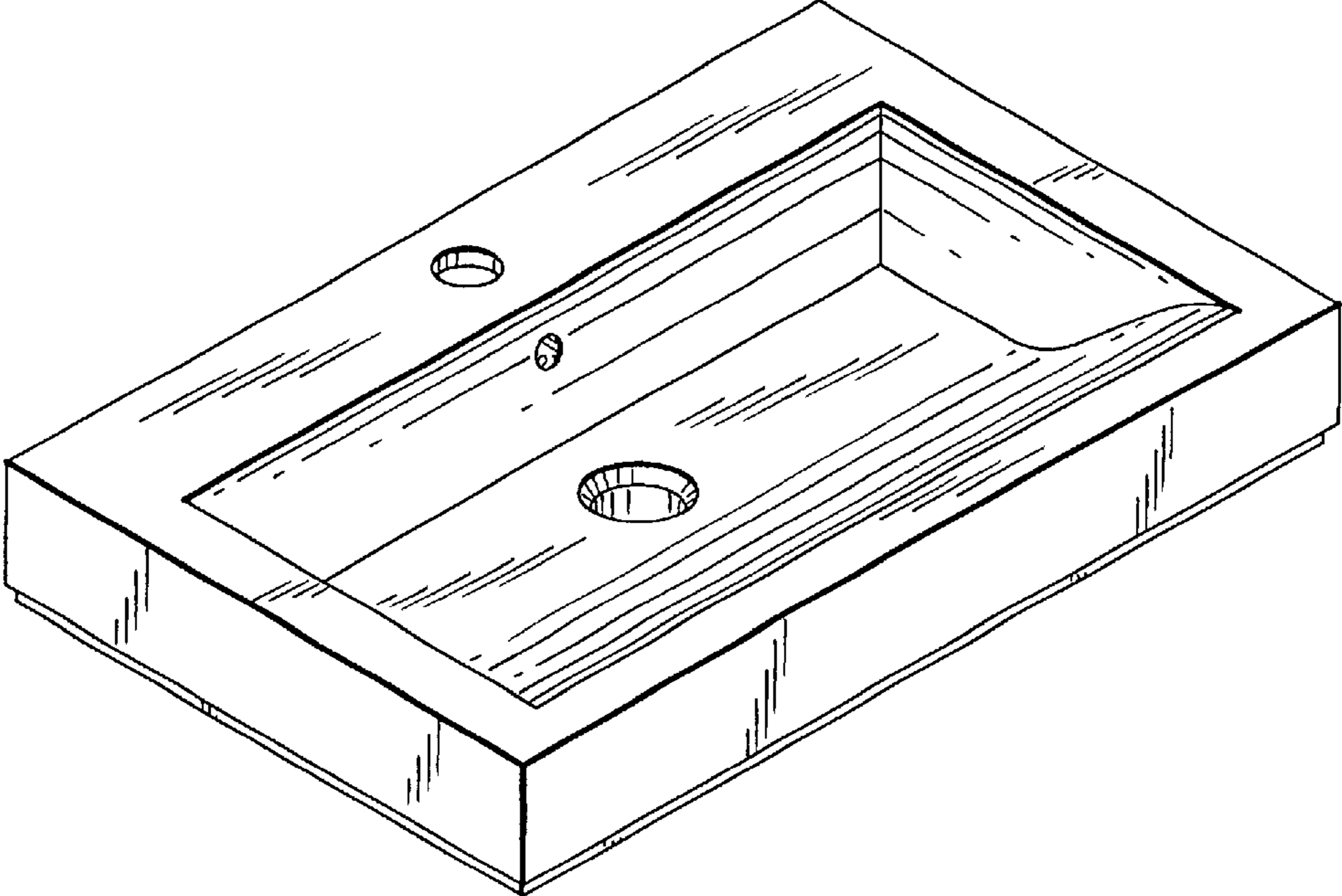


FIG. 1

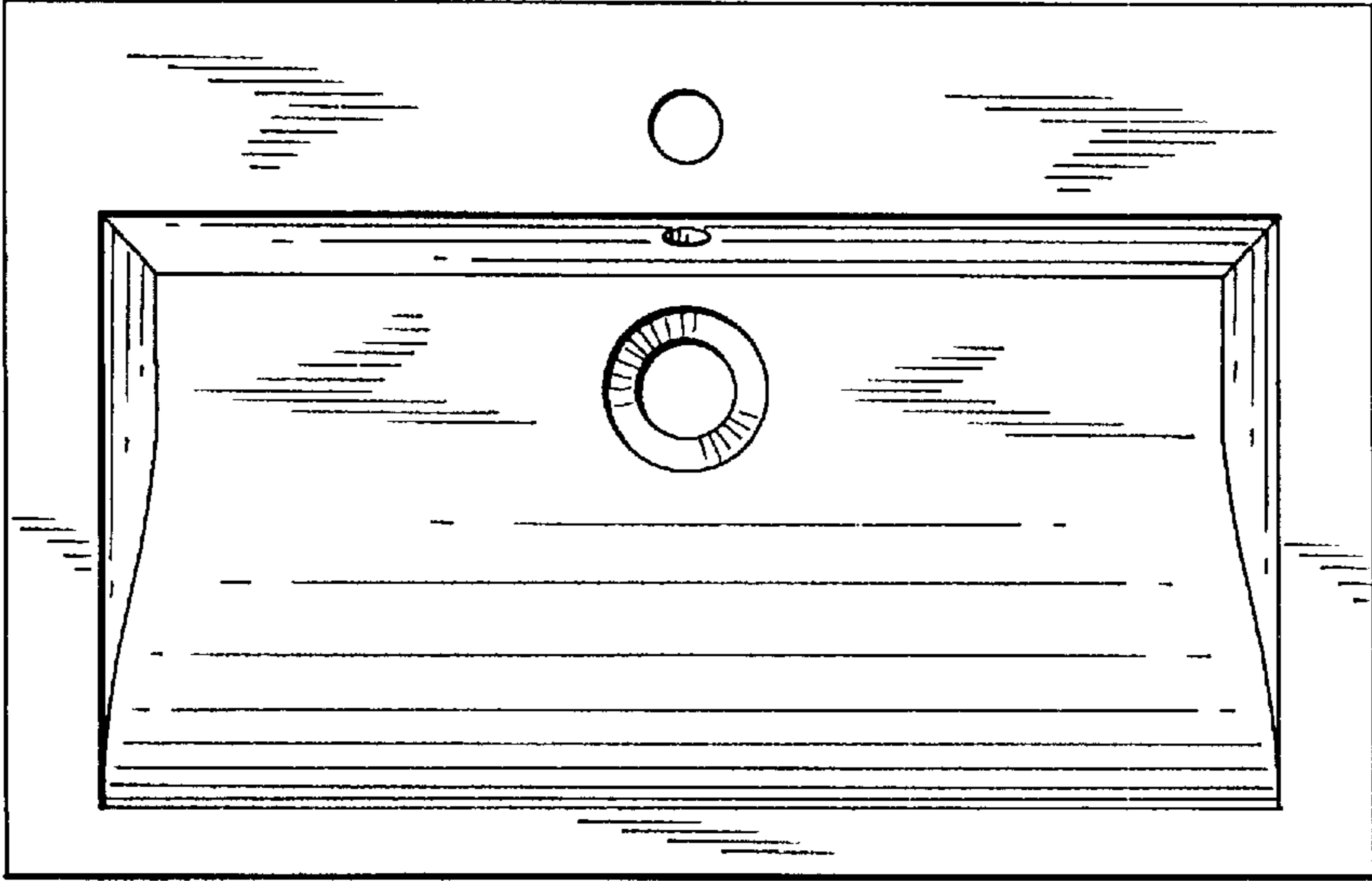


FIG. 2

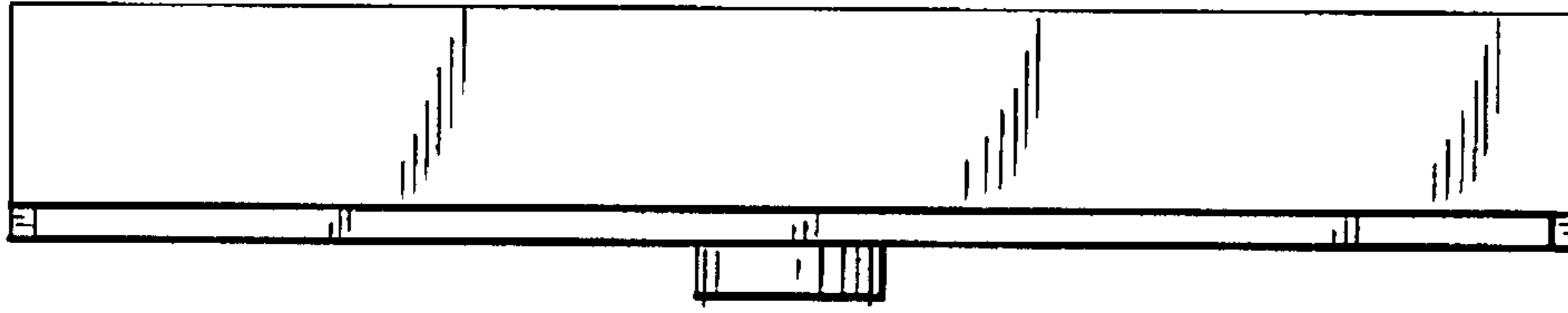


FIG.3

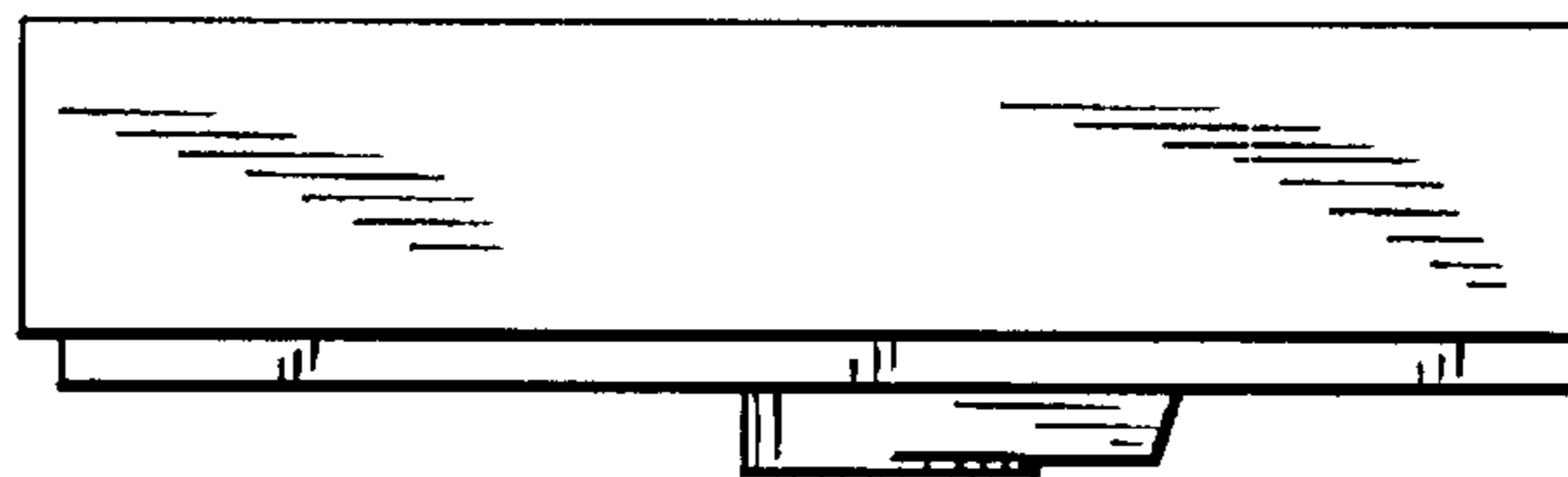


FIG.4

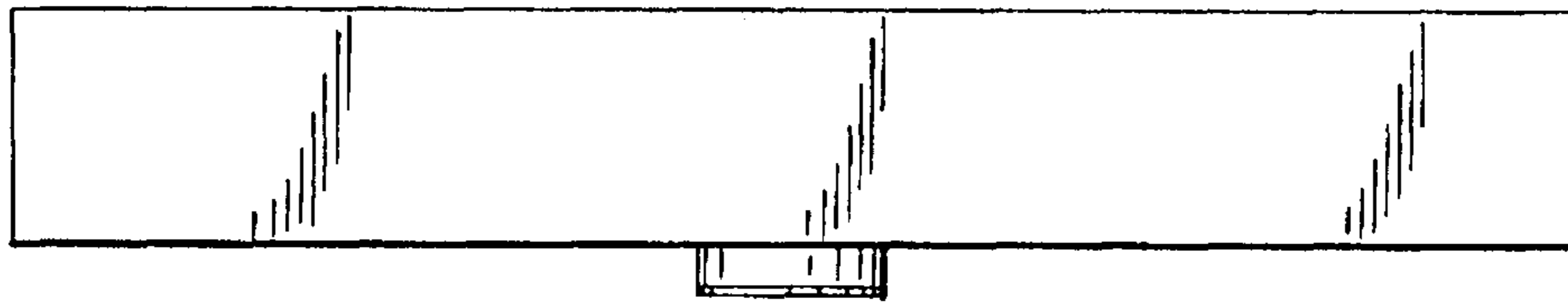


FIG. 5

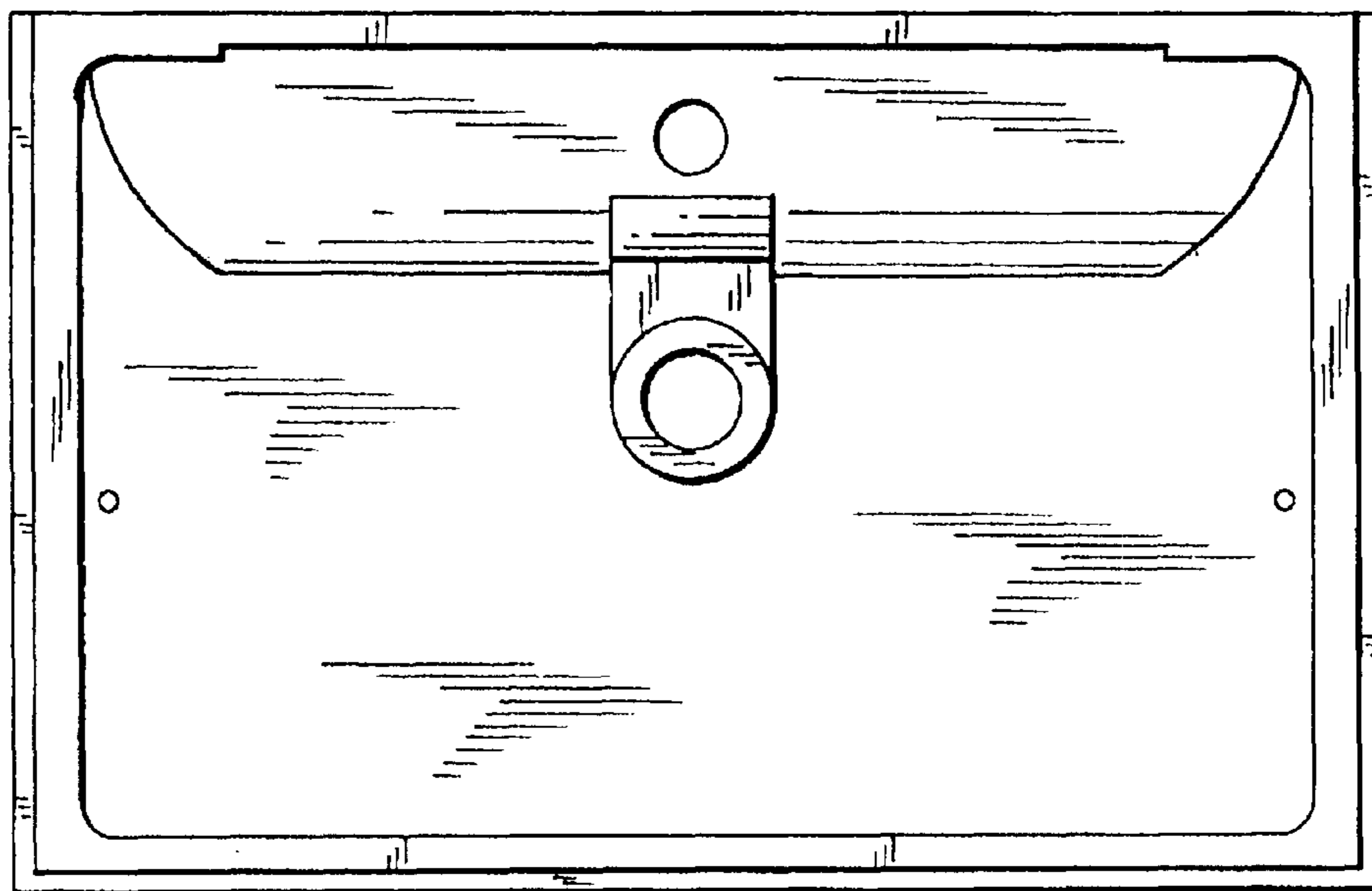


FIG. 6