

US00D507333S

(12) **United States Design Patent**
Beltrán

(10) **Patent No.:** **US D507,333 S**
(45) **Date of Patent:** **** Jul. 12, 2005**

(54) **BATHROOM FURNITURE**

(75) **Inventor:** **José Maria Ferrer Beltrán, Valencia (ES)**

(73) **Assignee:** **Ibergesfer, S.L., Valencia (ES)**

(**) **Term:** **14 Years**

(21) **Appl. No.:** **29/186,004**

(22) **Filed:** **Jul. 9, 2003**

(30) **Foreign Application Priority Data**

Feb. 20, 2003 (ES) 156.281

(51) **LOC (8) Cl.** **23-02**

(52) **U.S. Cl.** **D23/286**

(58) **Field of Search** D23/270-273,
D23/286, 303, 308; 4/661-666, 630-631,
638, 643; D6/397, 432, 445, 509, 447,
510; 312/228, 228.1, 237

(56) **References Cited**

U.S. PATENT DOCUMENTS

D445,489 S * 7/2001 Ferrer Beltran D23/286

* cited by examiner

Primary Examiner—Robert A. Delehanty

(74) *Attorney, Agent, or Firm*—Blank Rome LLP

(57) **CLAIM**

The ornamental design for a bathroom furniture, as shown and described.

DESCRIPTION

FIG. 1 is a front perspective view of a bathroom furniture showing a new design;

FIG. 2 is a top plan view thereof;

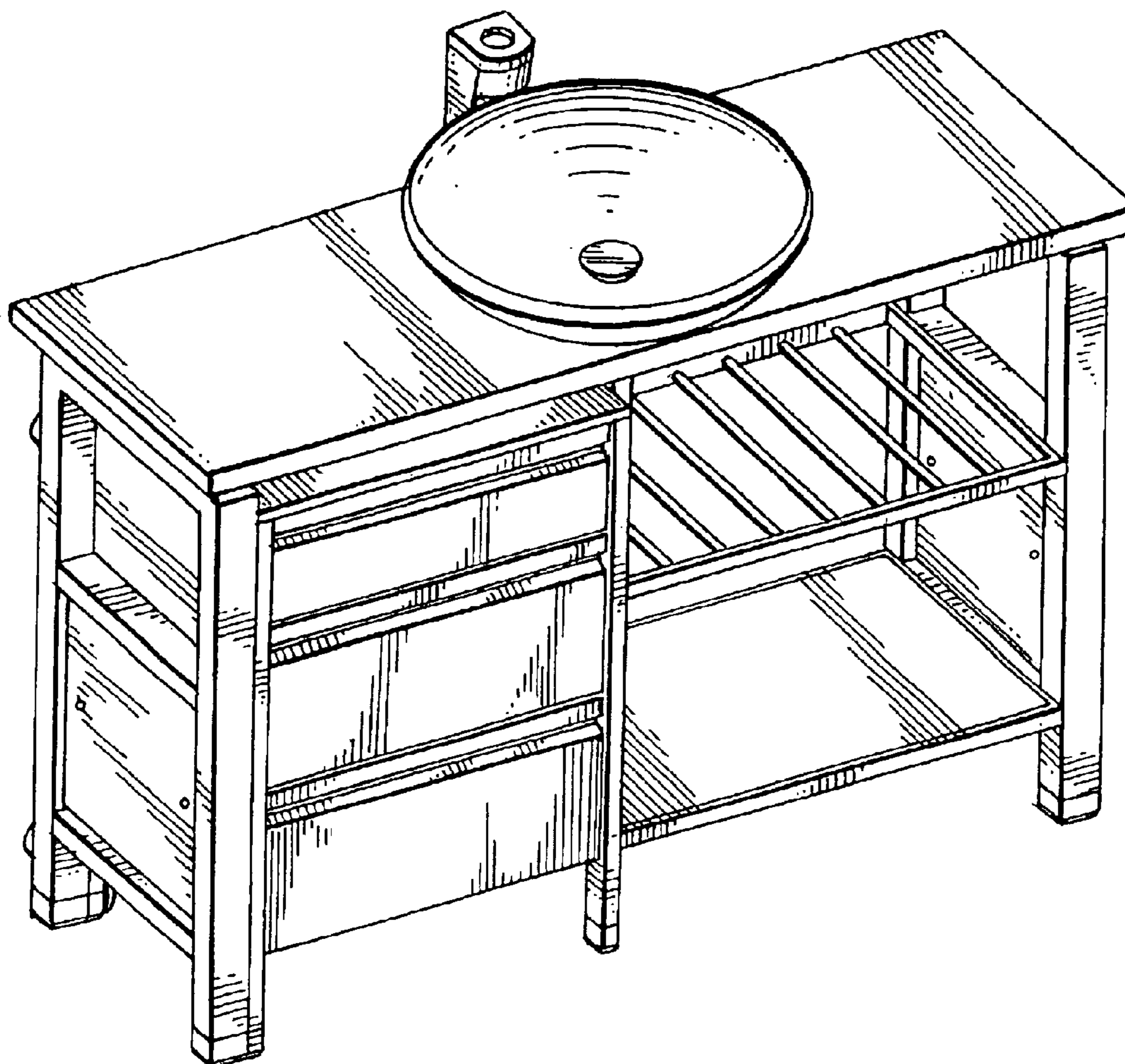
FIG. 3 is a front view thereof;

FIG. 4 is a rear view thereof;

FIG. 5 is a left view thereof; and,

FIG. 6 is a right view thereof.

1 Claim, 3 Drawing Sheets



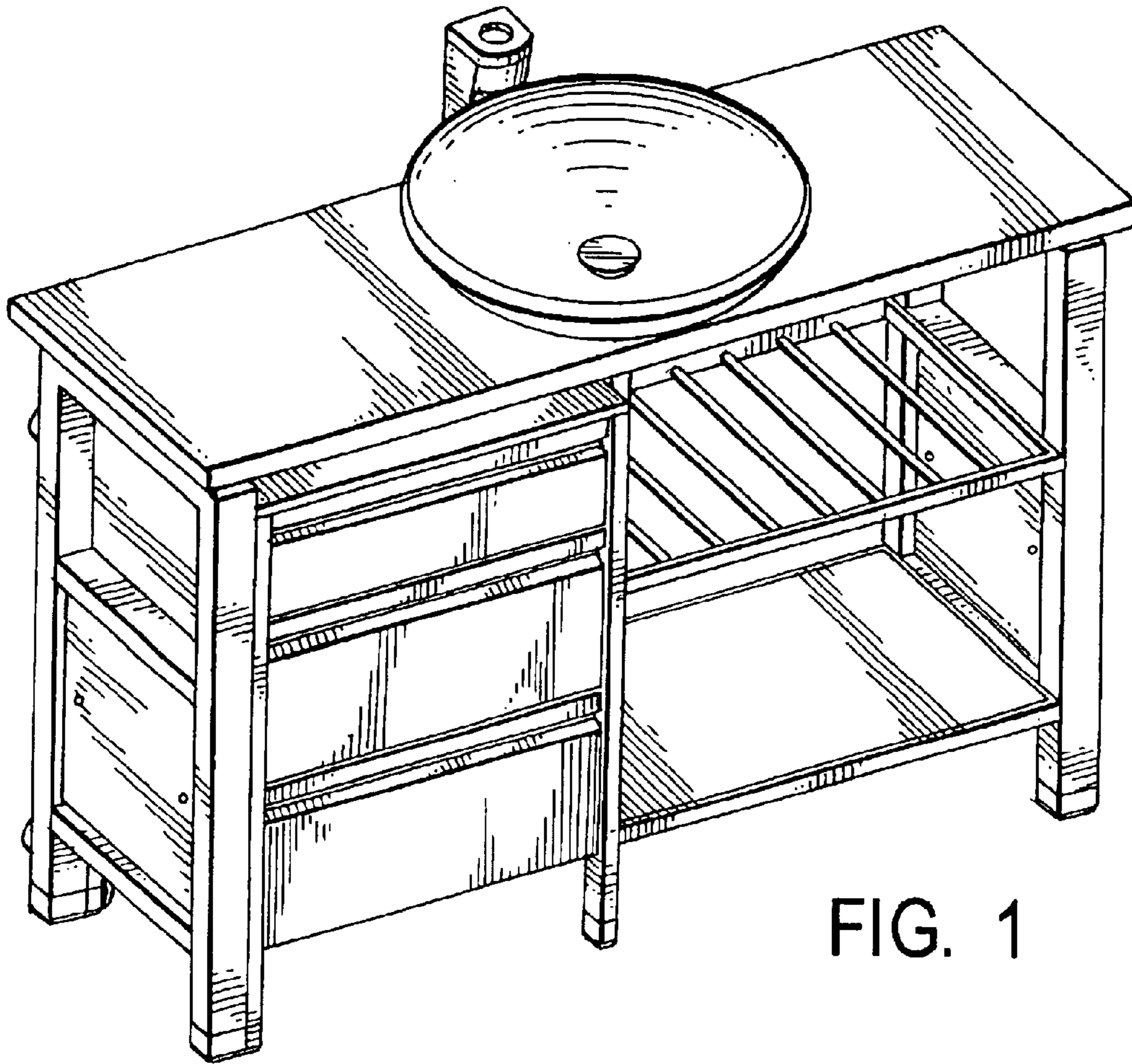
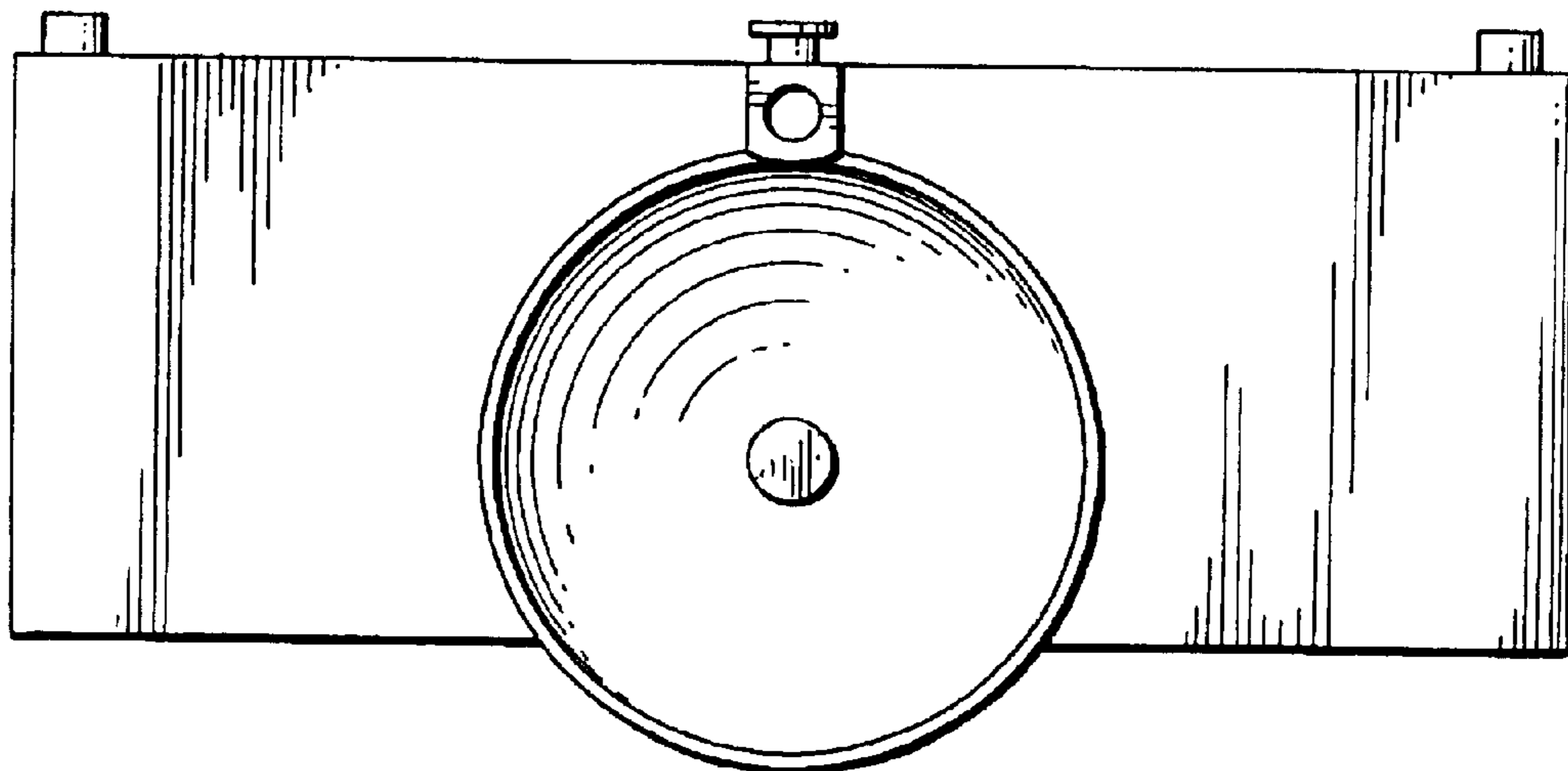


FIG. 1

FIG. 2



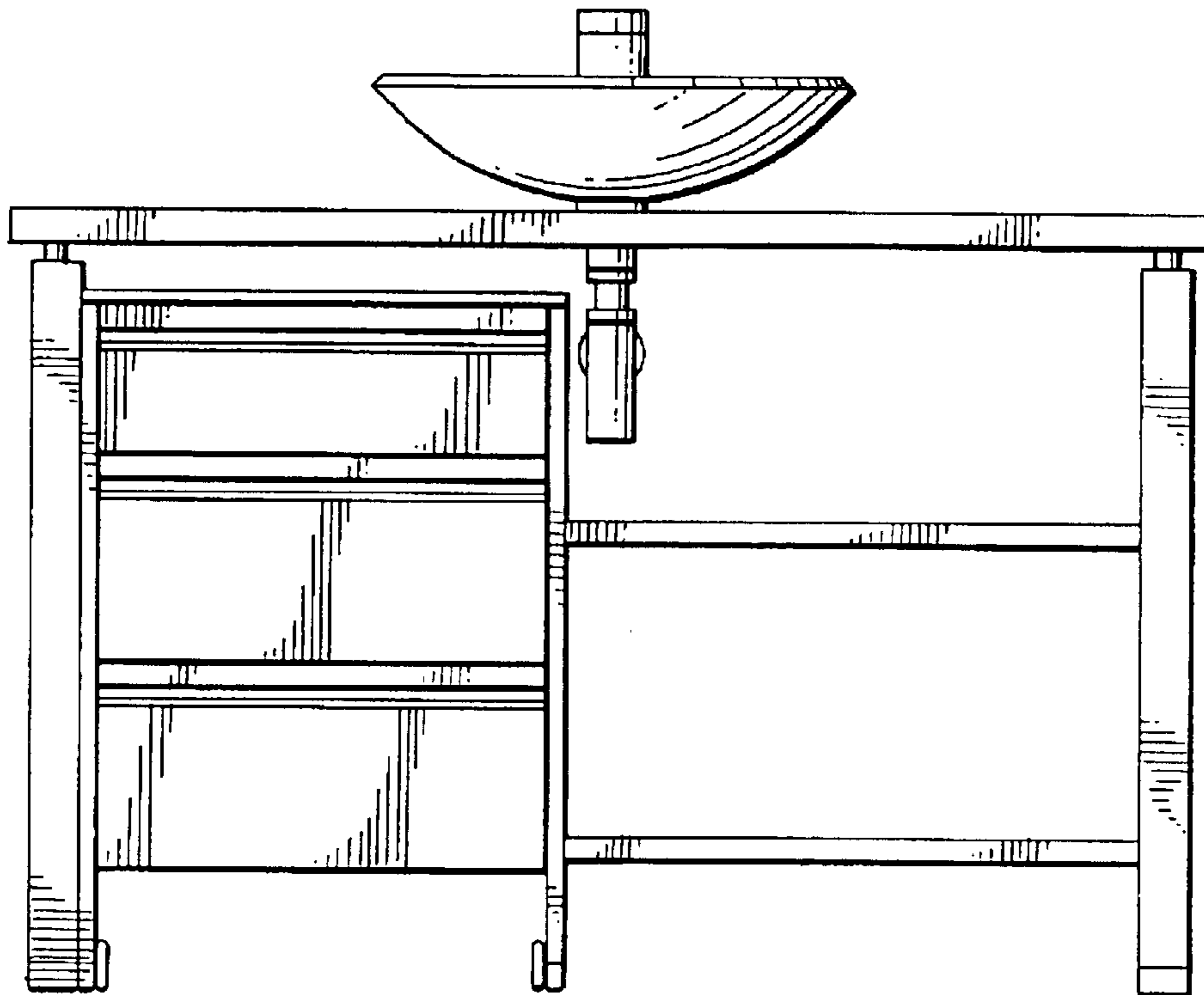


FIG. 3

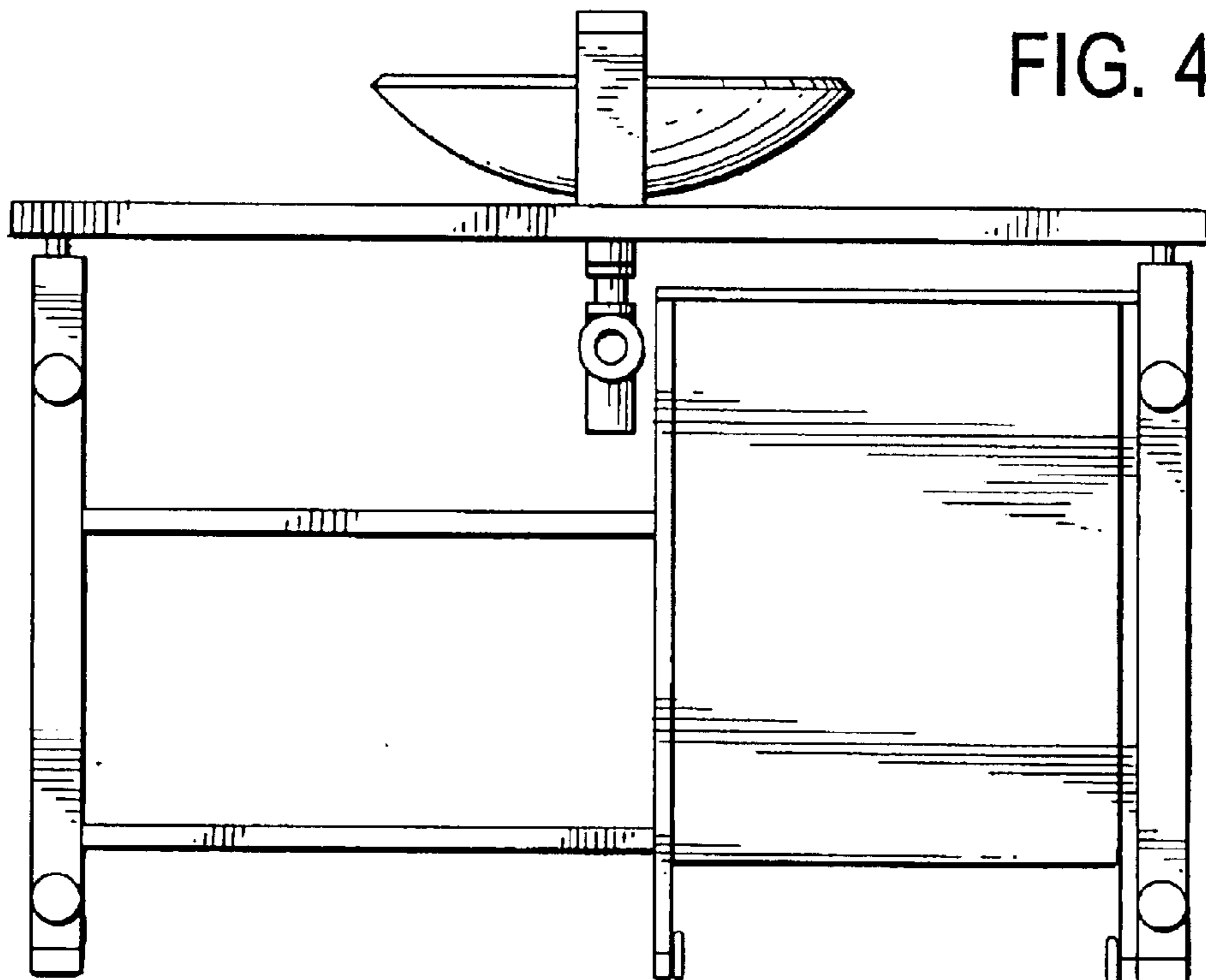


FIG. 4

FIG. 5

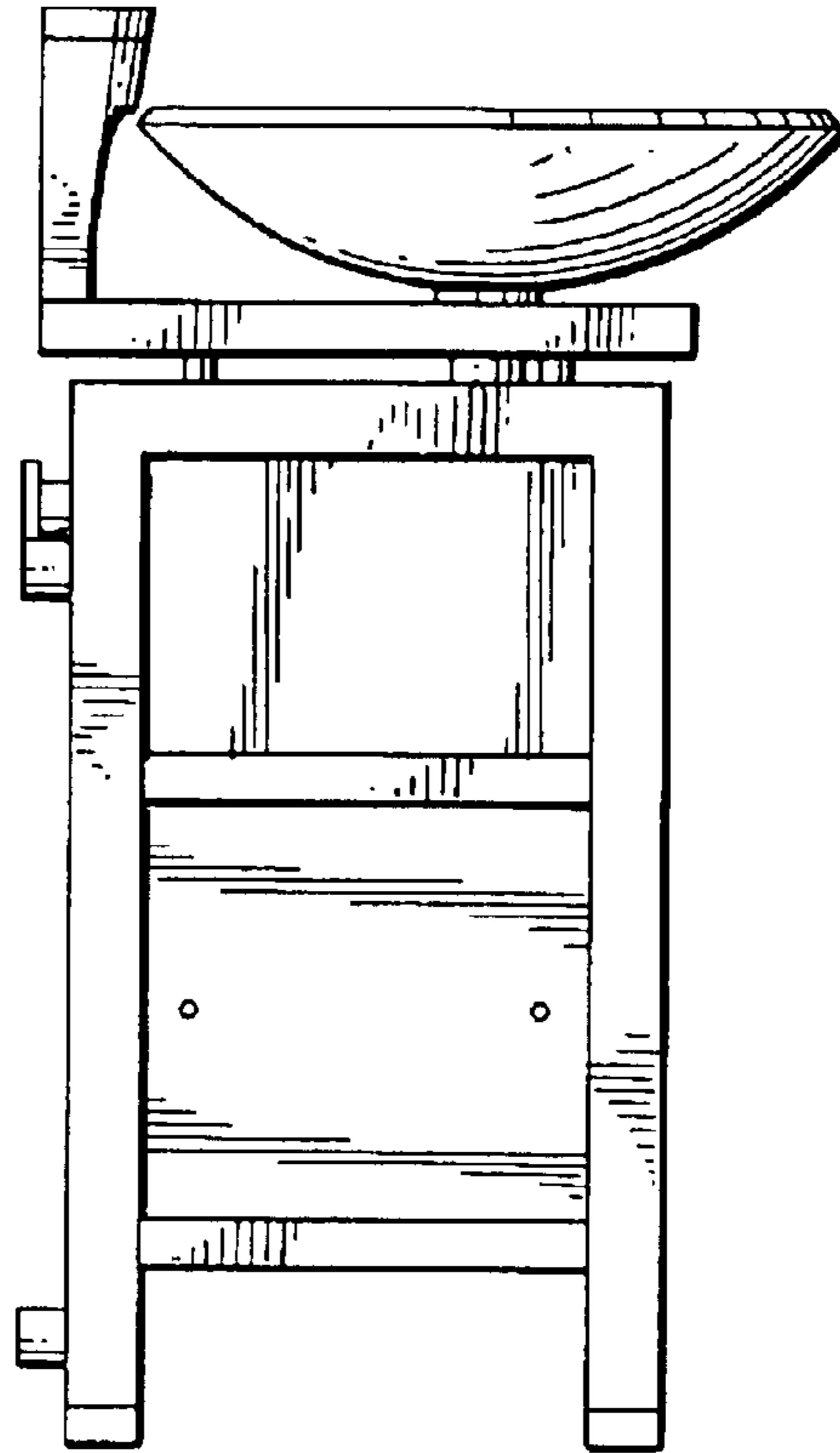


FIG. 6

