

US00D507331S

(12) **United States Design Patent**  
**Lord et al.**

(10) **Patent No.:** **US D507,331 S**  
(45) **Date of Patent:** **\*\* Jul. 12, 2005**

(54) **FAUCET HANDLE**

D496,434 S \* 9/2004 Spangler ..... D23/252

(75) Inventors: **Judd A. Lord**, Carmel, IN (US);  
**Federico G. Otero**, Carmel, IN (US)

\* cited by examiner

(73) Assignee: **Masco Corporation of Indiana**,  
Indianapolis, IN (US)

*Primary Examiner*—Louis S. Zarfes  
*Assistant Examiner*—Gregory Andoll  
(74) *Attorney, Agent, or Firm*—Kwadjo Adusei-Poku;  
Lloyd D. Doigan

(\*\*) Term: **14 Years**

(57) **CLAIM**

(21) Appl. No.: **29/201,161**

The ornamental design for a faucet handle, as shown and described.

(22) Filed: **Mar. 11, 2004**

**DESCRIPTION**

(51) **LOC (8) Cl.** ..... **23-01**

(52) **U.S. Cl.** ..... **D23/252**

(58) **Field of Search** ..... D23/238–243,  
D23/245, 250–257; D8/300–322, 350–353,  
DIG. 3; 16/110.1; 4/675–678; 137/801

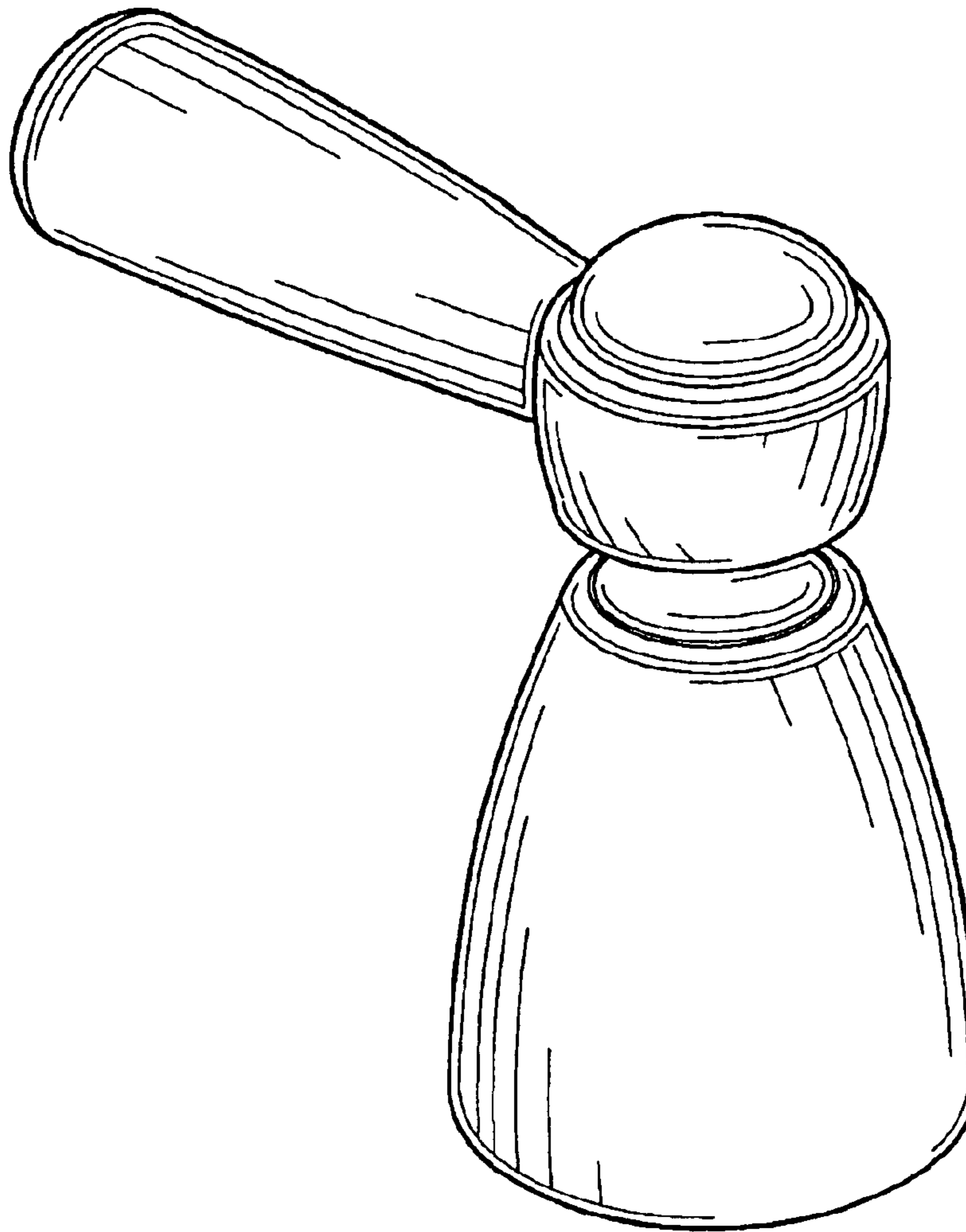
FIG. 1 is a rear perspective view of a faucet handle showing our new design;  
FIG. 2 is a front perspective view thereof;  
FIG. 3 is a right side elevational view thereof;  
FIG. 4 is a front elevational view thereof;  
FIG. 5 is a left side elevational view thereof;  
FIG. 6 is a rear elevational view thereof; and,  
FIG. 7 is a top plan view thereof.

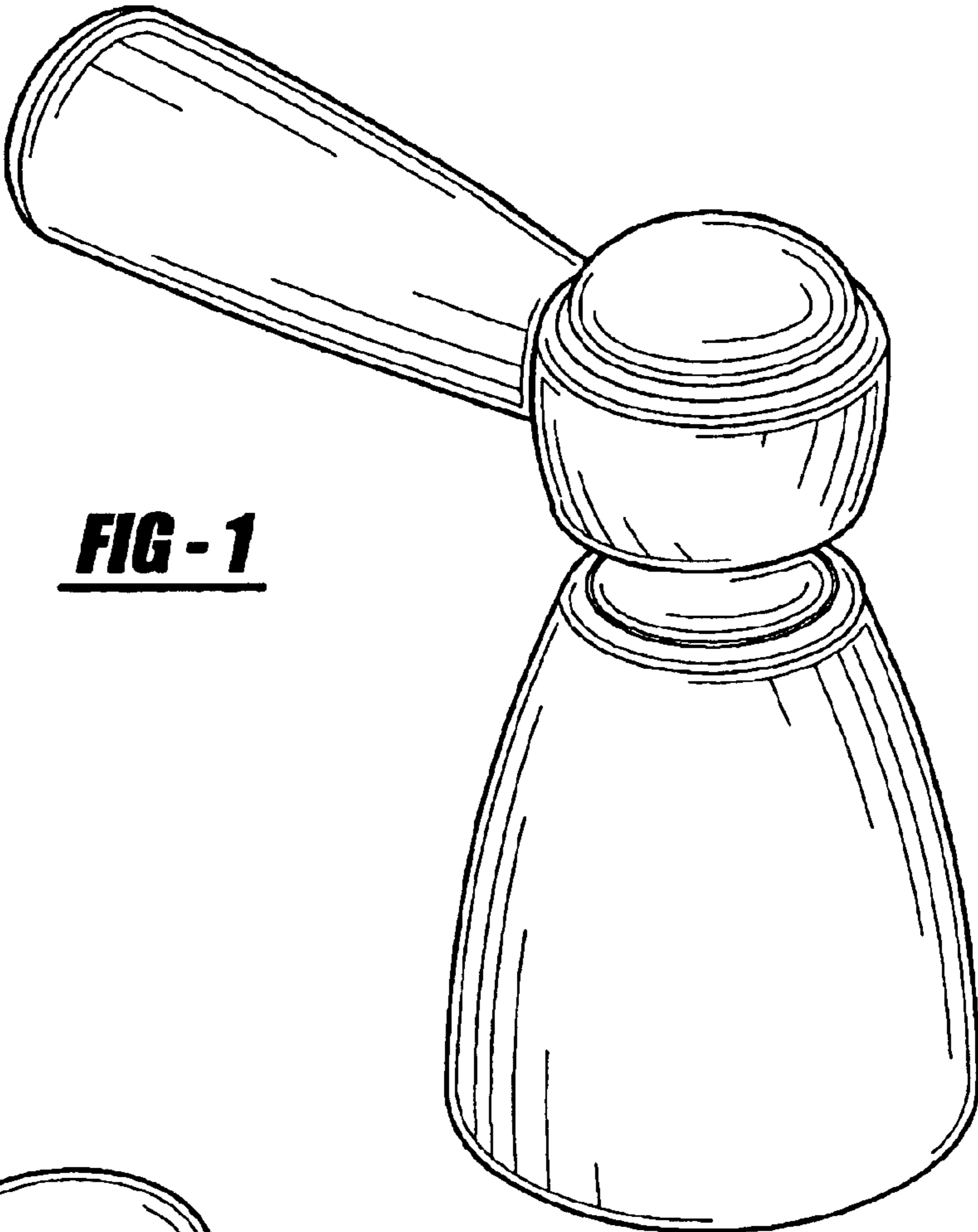
(56) **References Cited**

**U.S. PATENT DOCUMENTS**

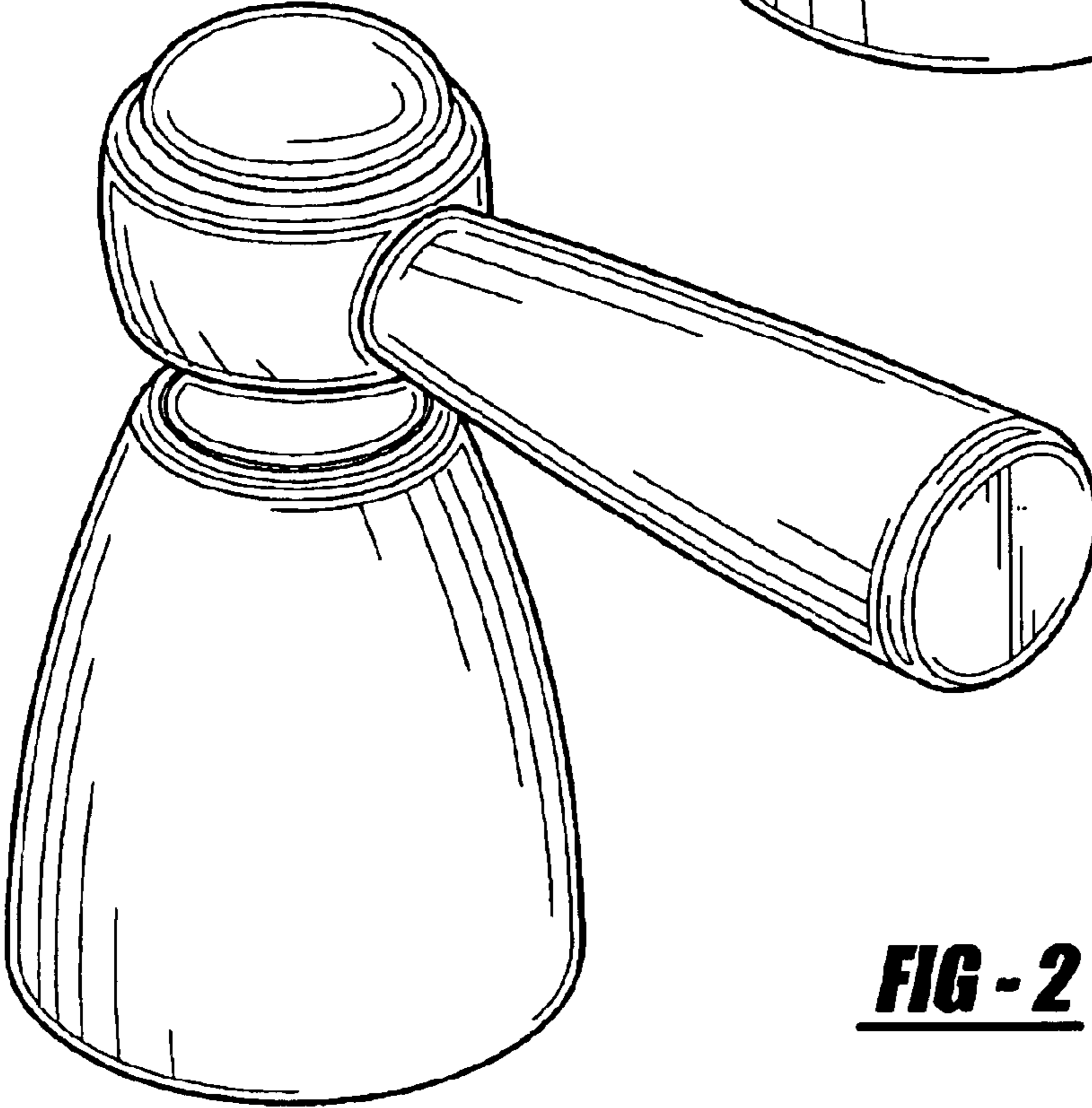
D402,005 S \* 12/1998 Ko ..... D23/252  
D458,347 S \* 6/2002 Mullenmeister ..... D23/252

**1 Claim, 4 Drawing Sheets**

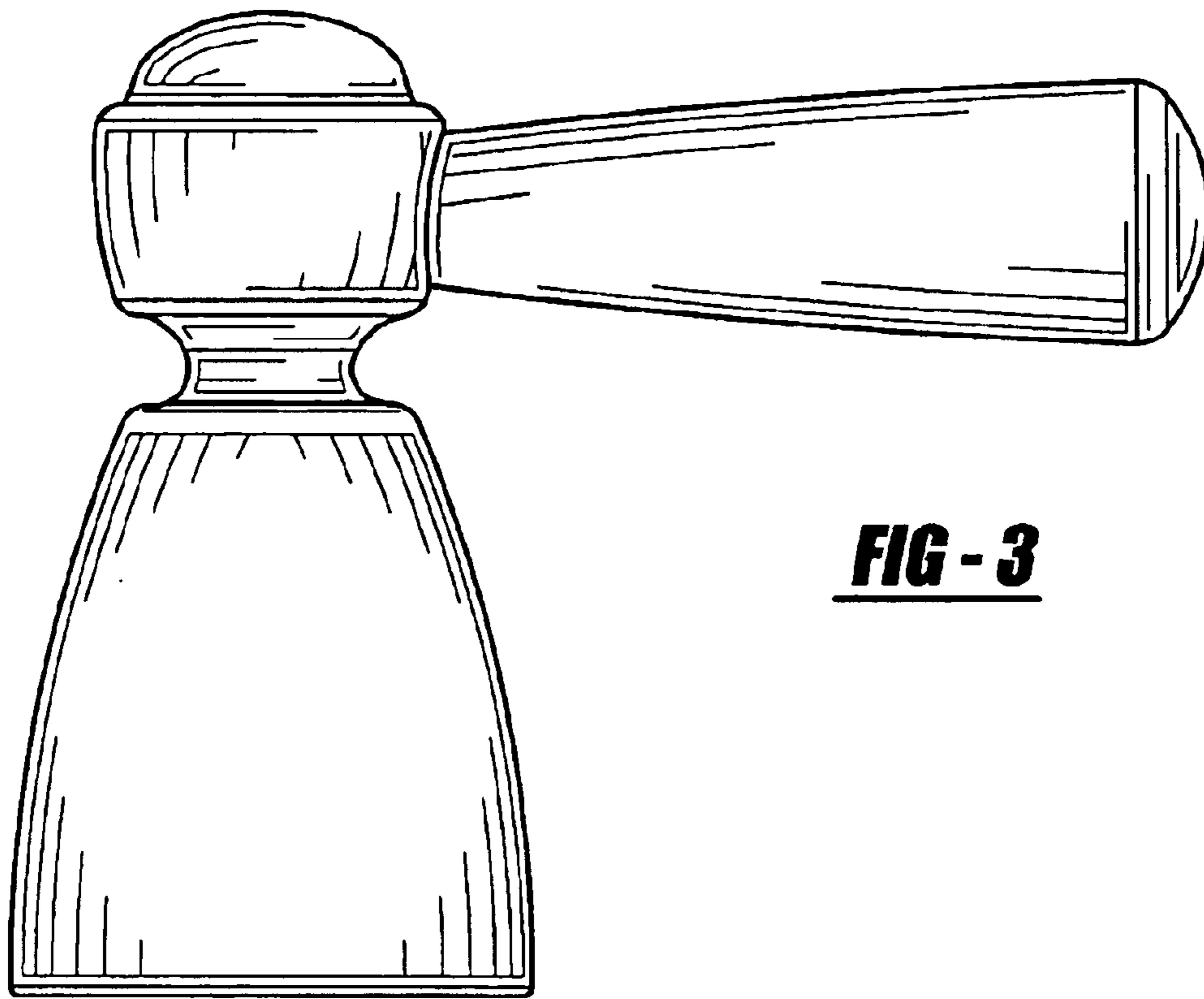




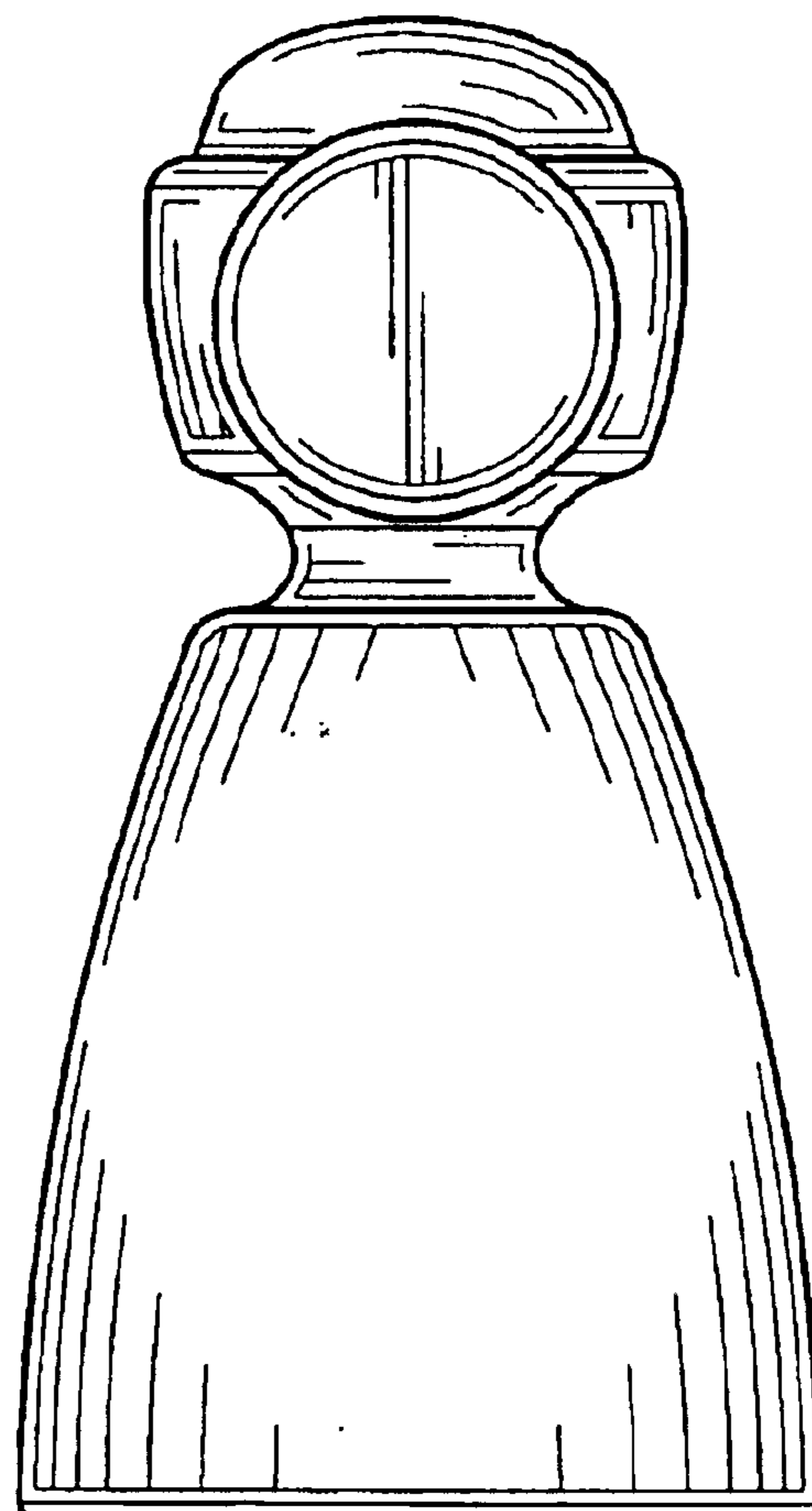
**FIG - 1**



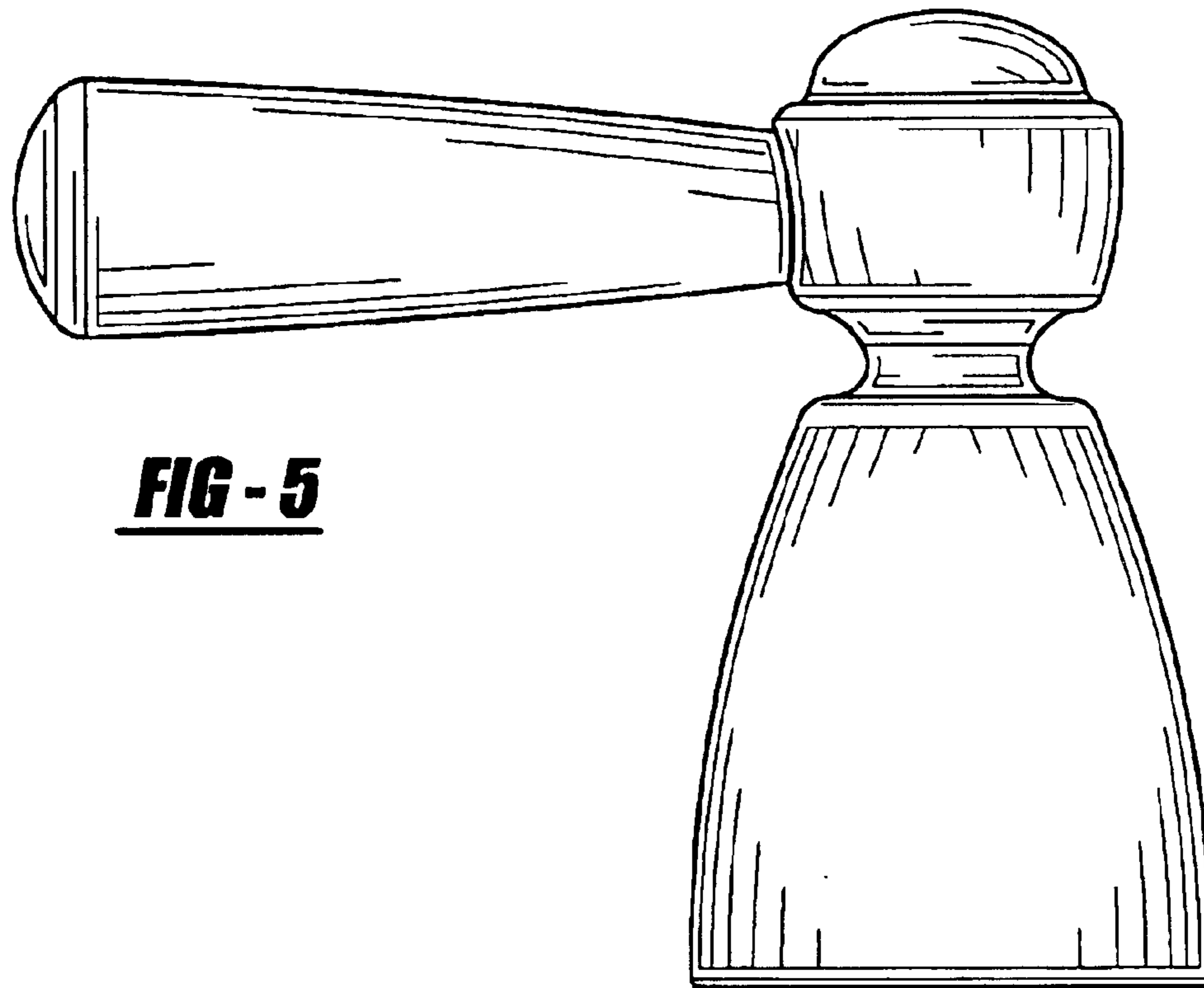
**FIG - 2**



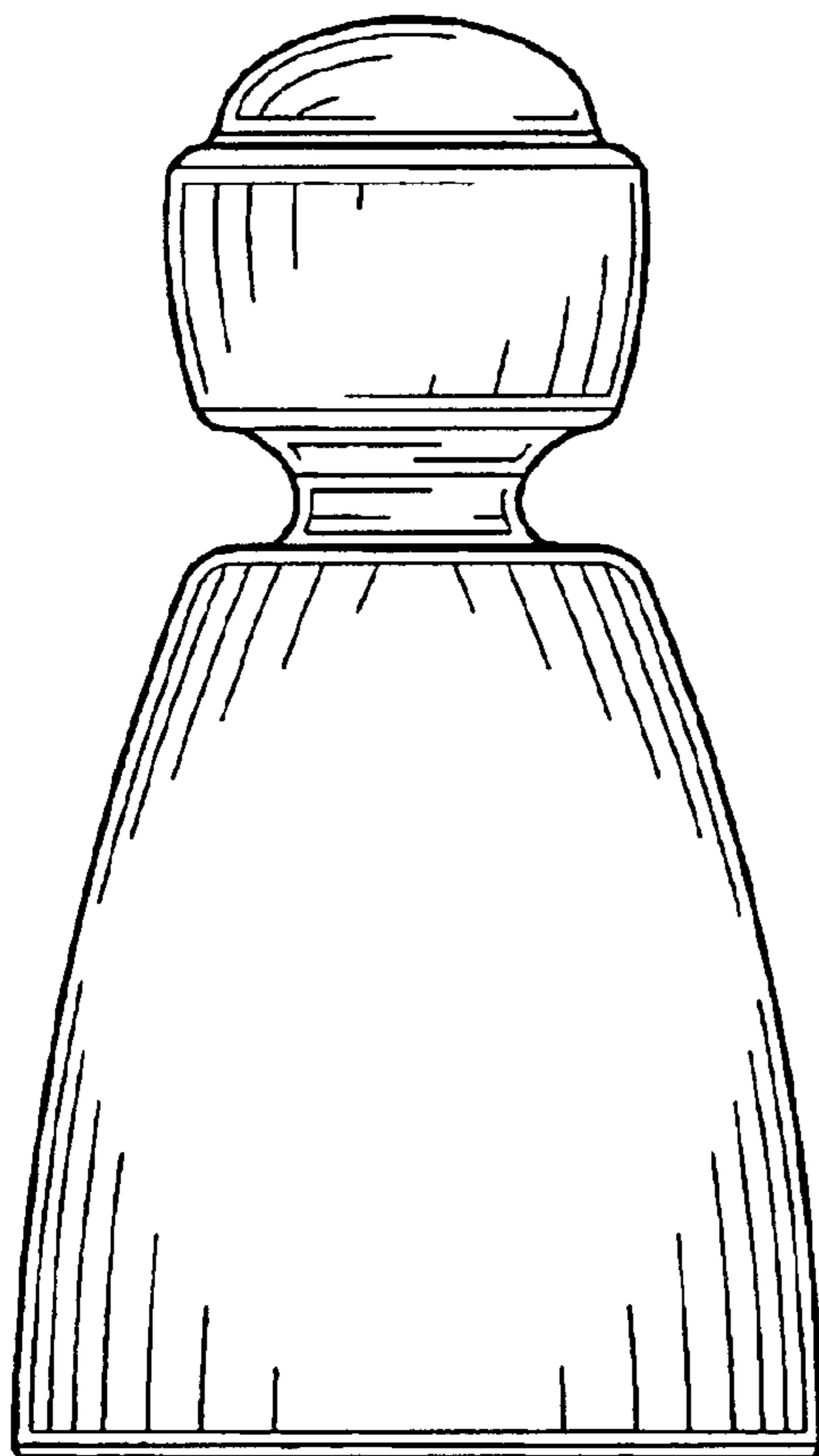
**FIG - 3**



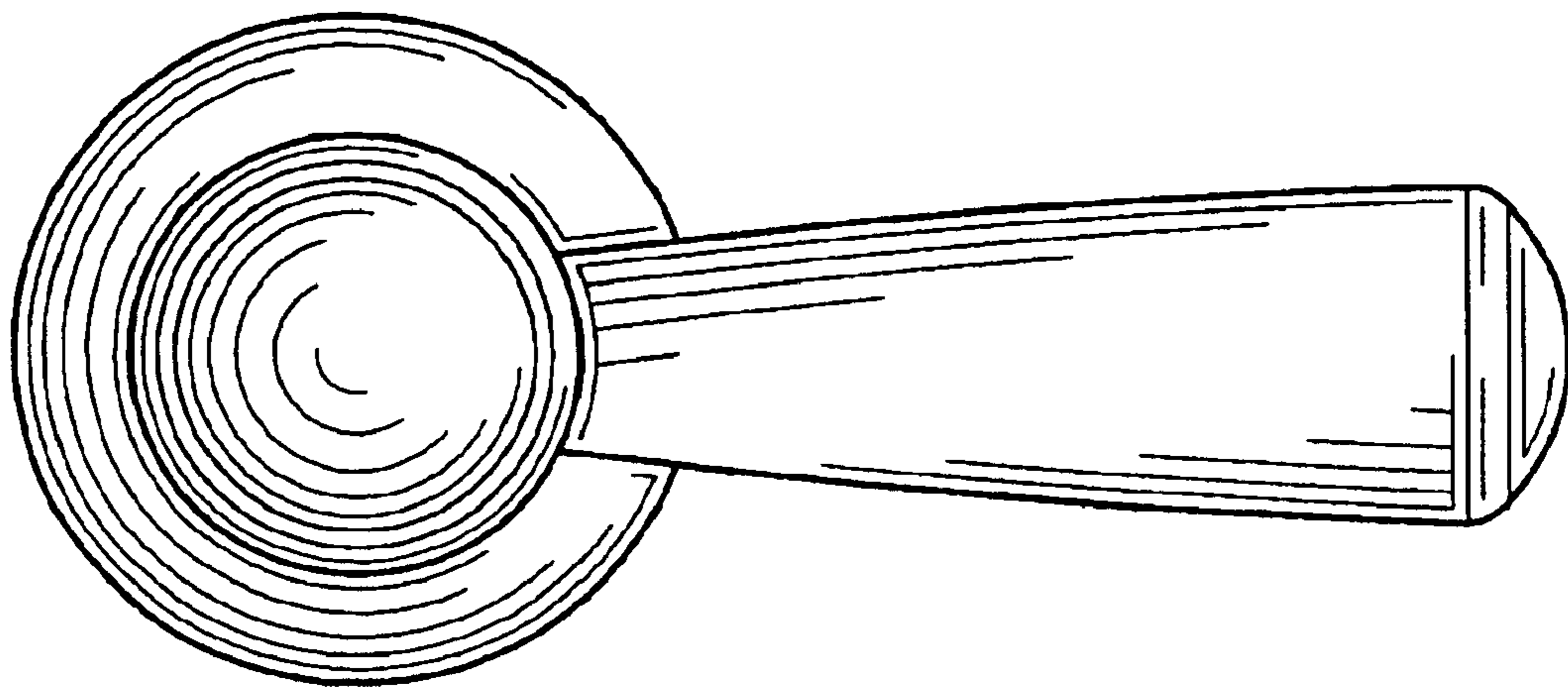
**FIG - 4**



**FIG - 5**



**FIG - 6**



**FIG - 7**