

US00D507330S

(12) **United States Design Patent**
Find et al.

(10) **Patent No.:** **US D507,330 S**
(45) **Date of Patent:** **** Jul. 12, 2005**

(54) **FAUCET ASSEMBLY**
(75) Inventors: **Poul Erik Find, Sonderso (DK);**
Benedicte Find, Sonderso (DK)

D249,276 * 9/1978 Levin D23/263
D301,605 * 6/1989 Jans D23/255
D315,194 * 3/1991 Haug et al. D23/238
D331,277 * 11/1992 Murphy D23/263
D464,114 * 10/2002 Spangler D23/238

(73) Assignee: **Damixa A/S (DK)**

* cited by examiner

(**) Term: **14 Years**

Primary Examiner—Louis S. Zarfes

Assistant Examiner—Gregory Andoll

(21) Appl. No.: **29/189,797**

(74) *Attorney, Agent, or Firm*—Kwadjo Adusei-Poku;
Lloyd D. Doigan

(22) Filed: **Sep. 11, 2003**

(30) **Foreign Application Priority Data**

Mar. 12, 2003 (DK) DA 2003 00189

(51) **LOC (8) Cl.** **23-01**

(52) **U.S. Cl.** **D23/238; D23/255**

(58) **Field of Search** D23/238–257,
D23/262, 263; 4/675–687; 137/807, 615,
603

(56) **References Cited**

U.S. PATENT DOCUMENTS

D25,415 * 4/1896 Hotchkiss D23/255
D44,380 * 7/1913 Michak D23/263
1,986,225 A * 1/1935 Sefkin 137/603
D214,906 * 8/1969 Steinmeyer D23/263

(57) **CLAIM**

The ornamental design for a faucet assembly, as shown and described.

DESCRIPTION

FIG. 1 is a front perspective view of a faucet assembly showing our new design;

FIG. 2 is a front elevational view thereof;

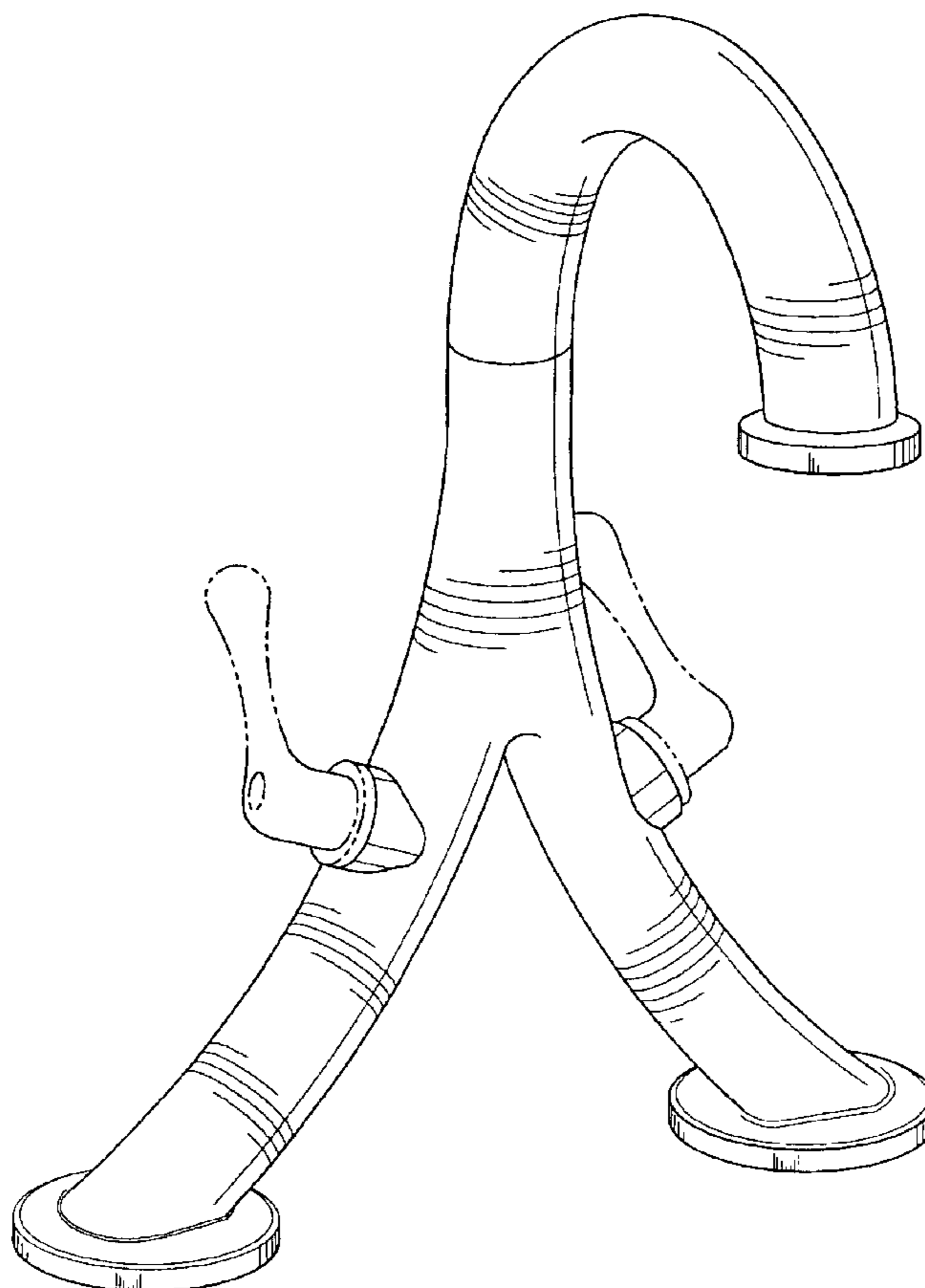
FIG. 3 is right side elevational view thereof, the left side elevational view being a mirror image thereof;

FIG. 4 is a rear elevational view thereof; and,

FIG. 5 is a top plan view thereof.

The broken lines in the Figures are for illustrative purposes only and form no part of the claimed design.

1 Claim, 5 Drawing Sheets



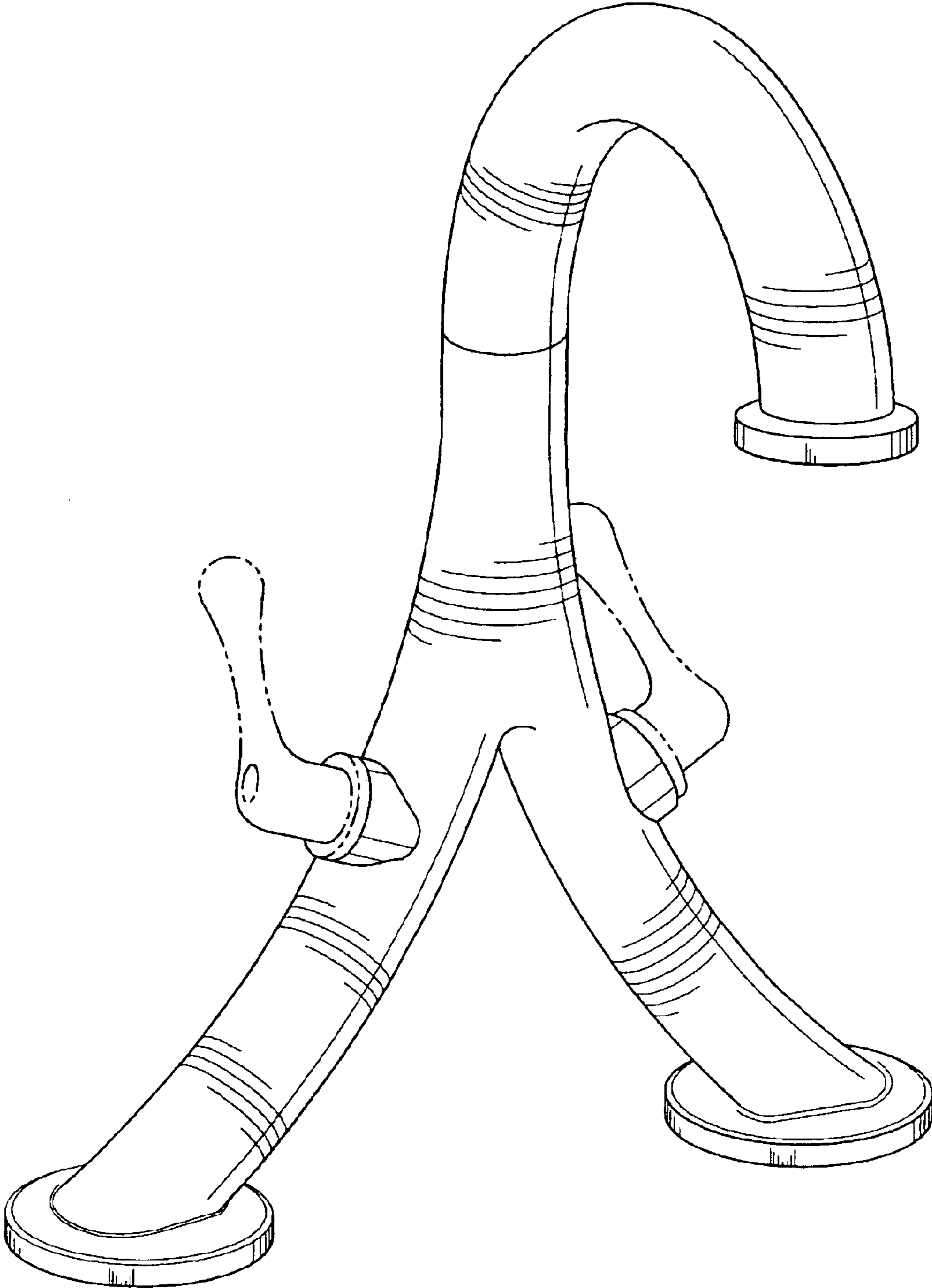


Fig-1

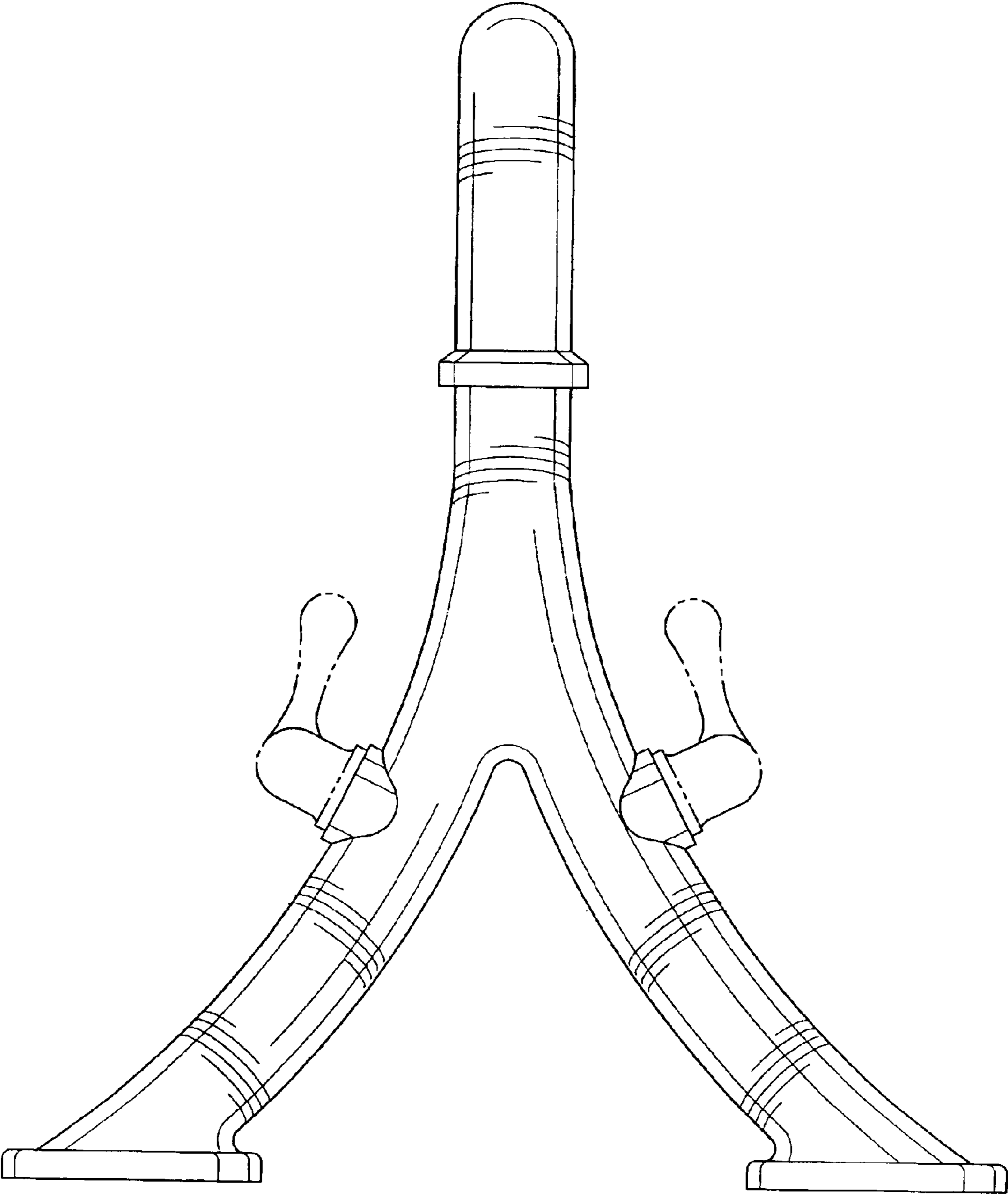


Fig-2

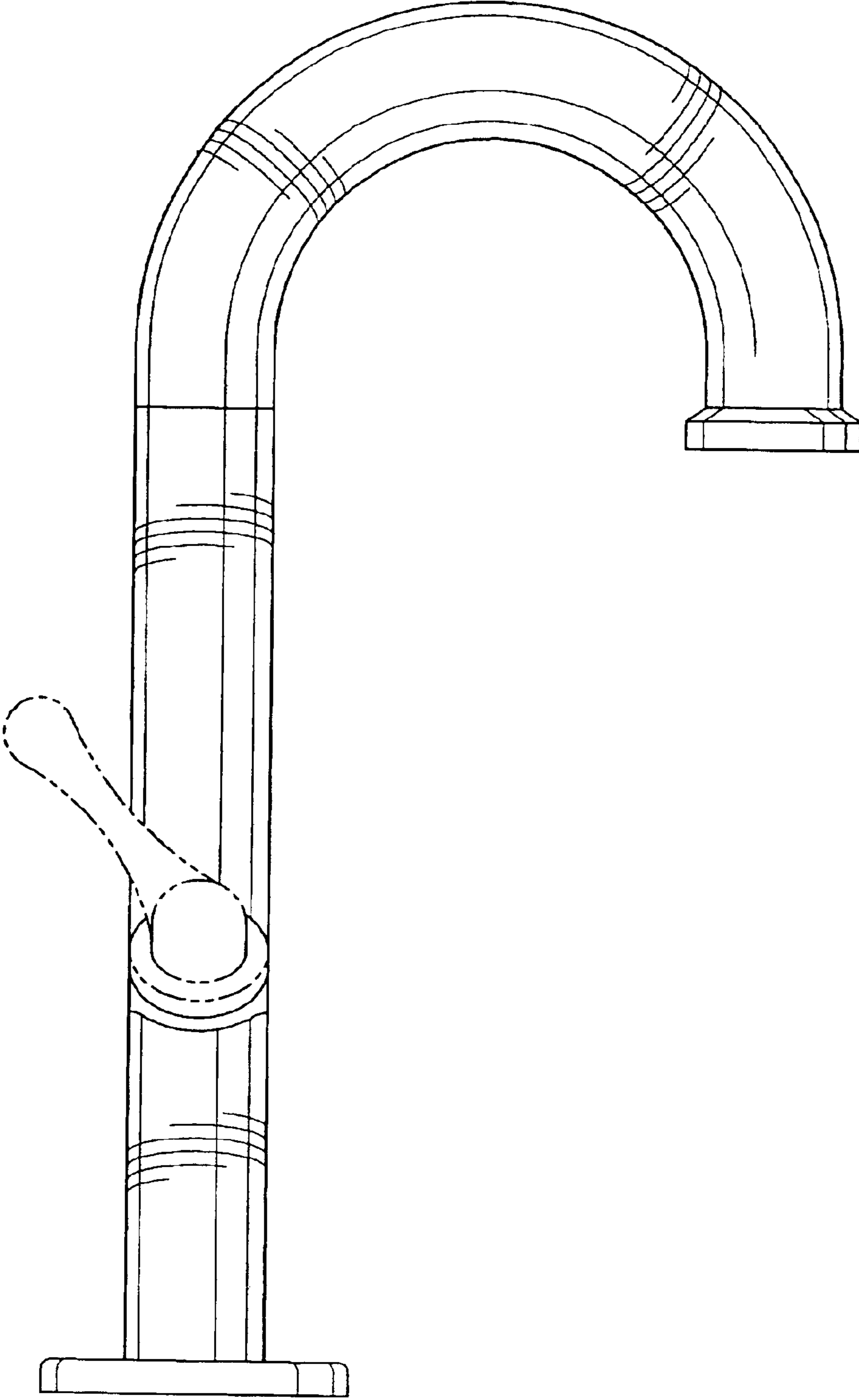


Fig-3

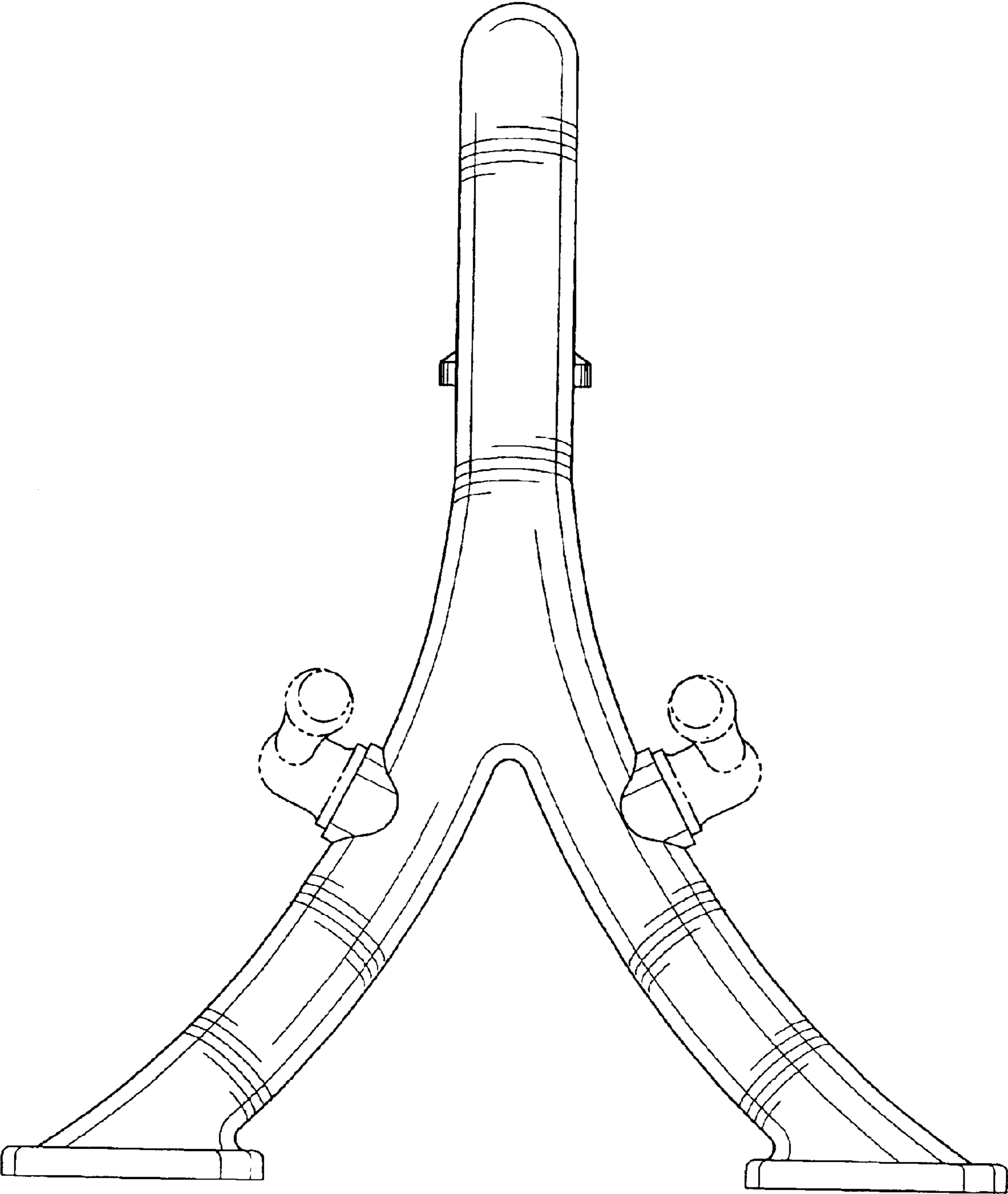


Fig-4

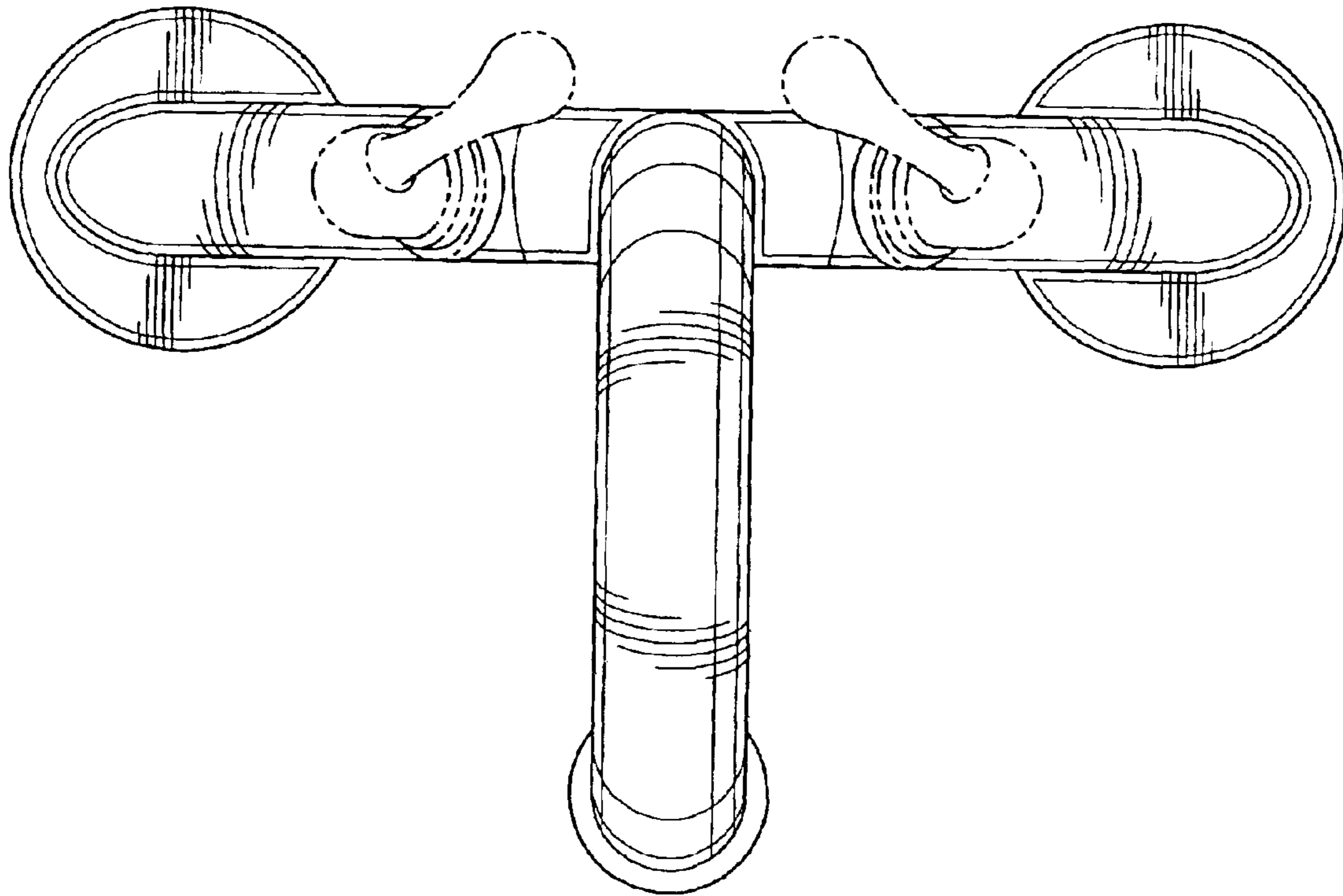


Fig-5