

US00D507329S

(12) **United States Design Patent**
Zhao

(10) **Patent No.:** **US D507,329 S**
(45) **Date of Patent:** **** Jul. 12, 2005**

(54) **SINGLE HANDLE LAVATORY FAUCET**

(75) **Inventor:** **Weidong Zhao**, Xiamen (CN)

(73) **Assignee:** **Xiamen Lota International Co., Ltd.**,
Xiamen (CN)

(**) **Term:** **14 Years**

(21) **Appl. No.:** **29/187,160**

(22) **Filed:** **Jul. 29, 2003**

(51) **LOC (8) Cl.** **23-01**

(52) **U.S. Cl.** **D23/238**

(58) **Field of Search** **D23/238-257;**
4/675-687; 137/807, 615

D463,008 S	9/2002	Lord
D463,009 S	9/2002	Lord
D464,115 S	10/2002	Lord
D464,710 S	10/2002	Lord
D464,714 S	10/2002	Lord
D465,008 S	10/2002	Lord
D465,010 S	10/2002	Lord
D475,764 S	6/2003	Singtoroj
D476,063 S	6/2003	Haug et al.
D476,066 S	6/2003	Genslak et al.
D476,396 S	6/2003	Hanna
D476,397 S	6/2003	Ouyoung
D476,398 S	6/2003	Ouyoung
D476,720 S	7/2003	Hanna
D476,721 S	7/2003	Ouyoung

Primary Examiner—Louis S. Zarfaz
Assistant Examiner—Gregory Andoll
(74) *Attorney, Agent, or Firm*—Wallenstein Wagner & Rockey, Ltd.

(56) **References Cited**

U.S. PATENT DOCUMENTS

D287,395 S	12/1986	Piesco
D318,099 S	7/1991	Reid et al.
D343,227 S	1/1994	Dannenberg et al.
D349,326 S	8/1994	Bollenbacher
D364,213 S	11/1995	Dannenberg et al.
D375,345 S	11/1996	Warshawsky
D428,965 S	8/2000	Slothower
D462,420 S	9/2002	Lord
D462,742 S	9/2002	Lord
D462,743 S	9/2002	Lord
D462,744 S	9/2002	Lord
D462,745 S	9/2002	Lord
D462,746 S	9/2002	Lord
D462,749 S	9/2002	Lord
D463,007 S	9/2002	Lord

(57) **CLAIM**

I claim the ornamental design for a single handle lavatory faucet, as shown and described.

DESCRIPTION

FIG. 1 is a front view of the single handle lavatory faucet of the invention.
FIG. 2 is a left side view of the faucet of FIG. 1.
FIG. 3 is a right side view of the faucet of FIG. 1.
FIG. 4 is a top view of the faucet of FIG. 1.
FIG. 5 is a rear view of the faucet of FIG. 1; and,
FIG. 6 is a perspective view of the faucet of FIG. 1.

1 Claim, 3 Drawing Sheets

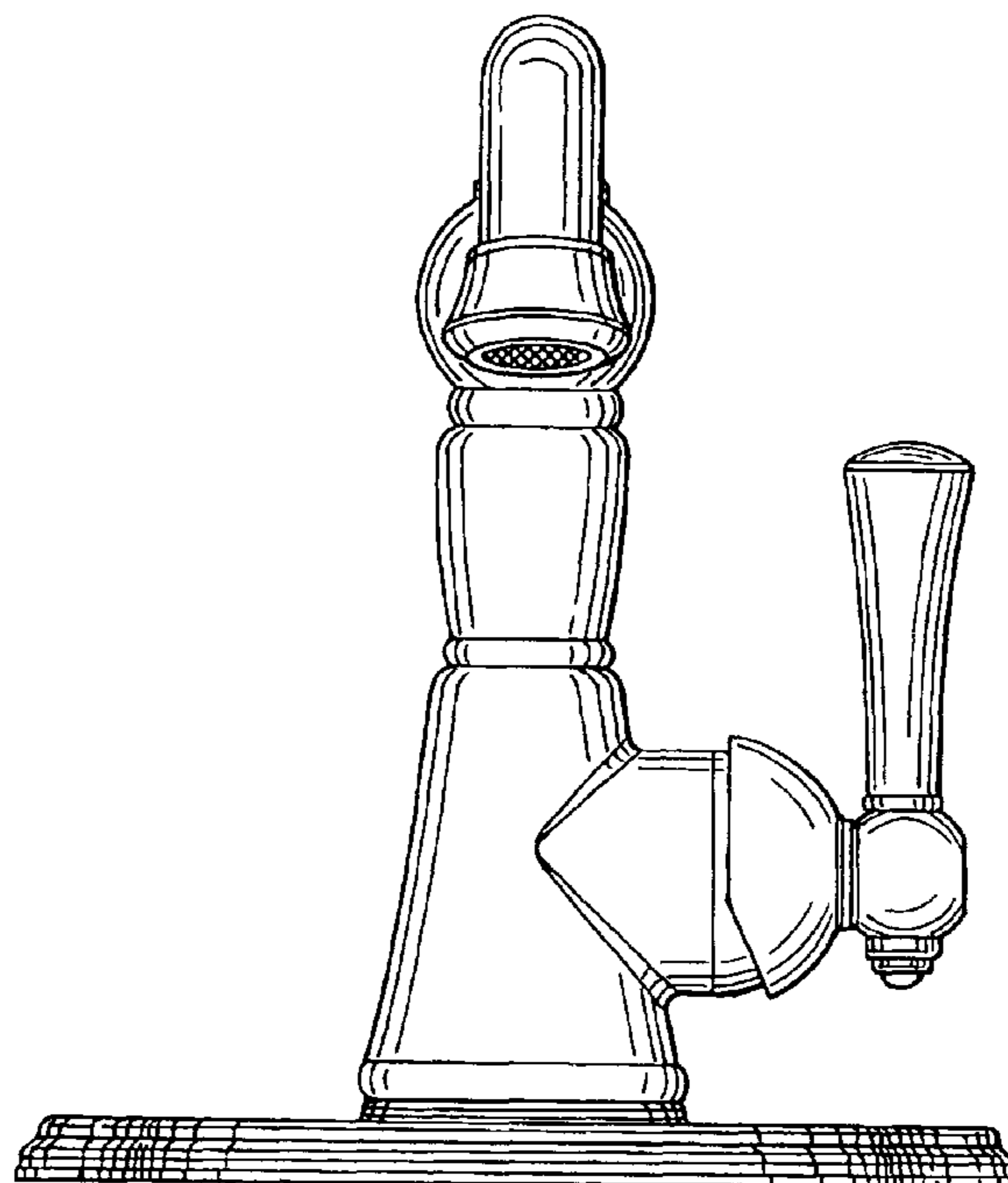


FIG.2

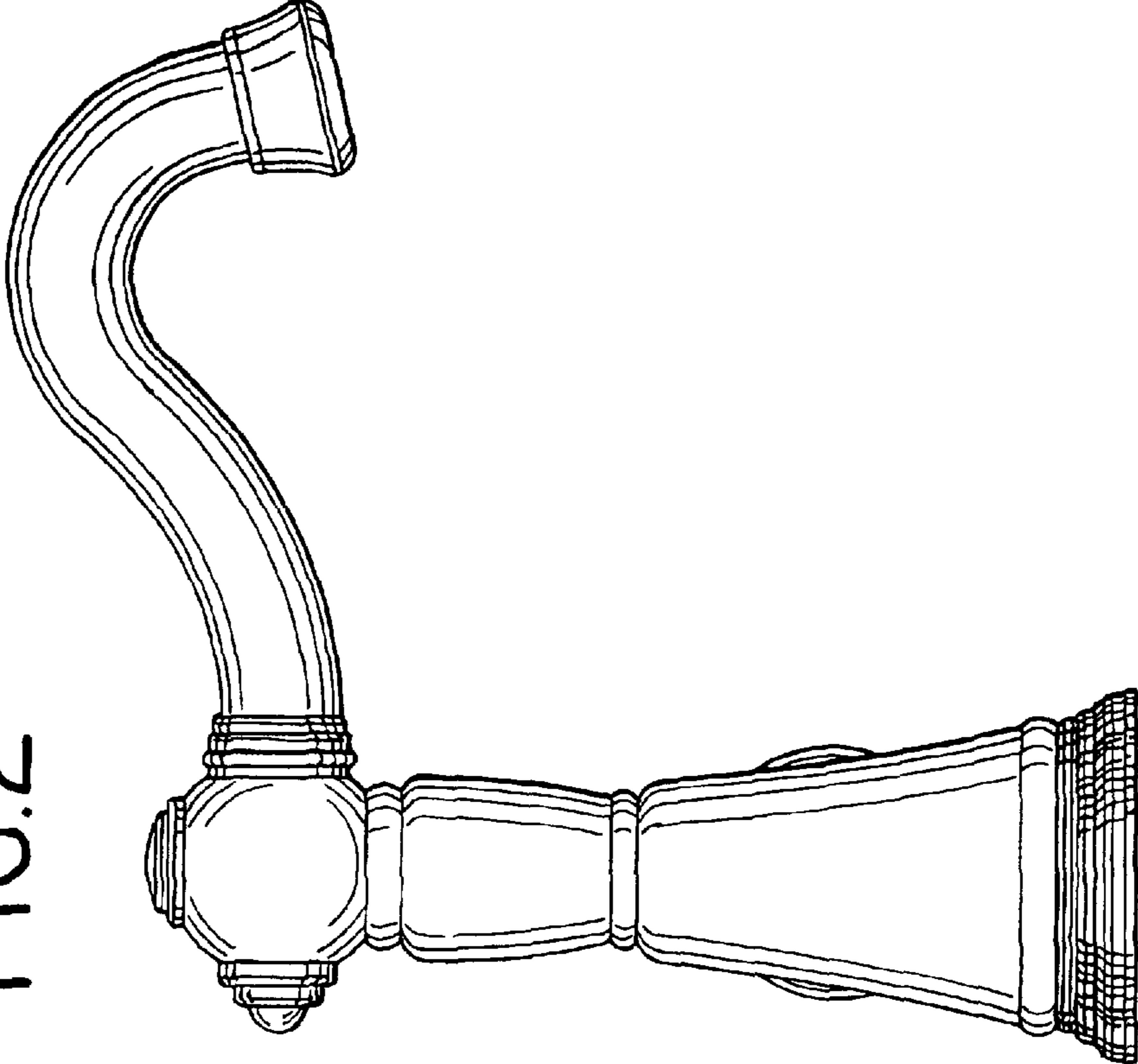


FIG.1

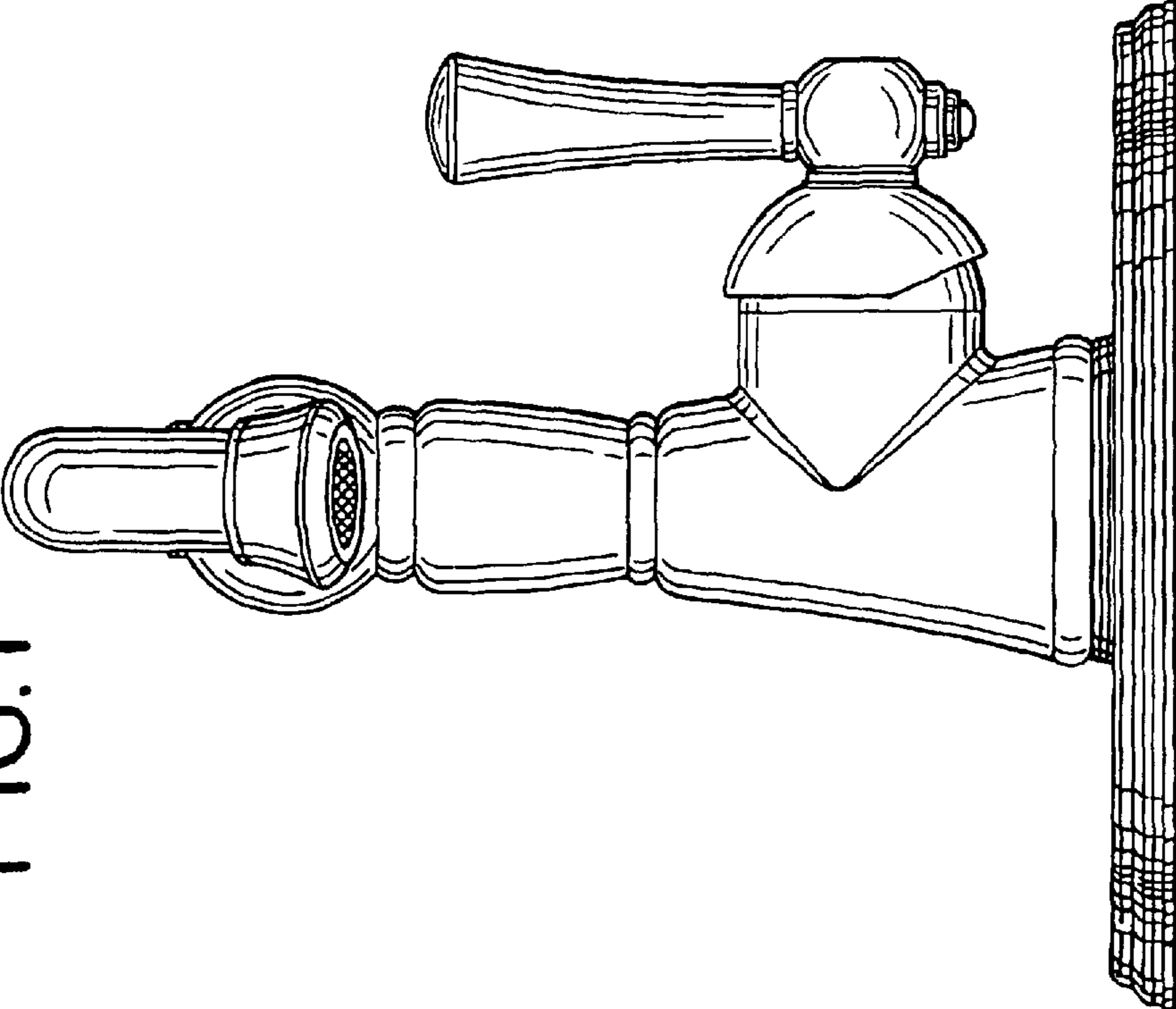


FIG.4

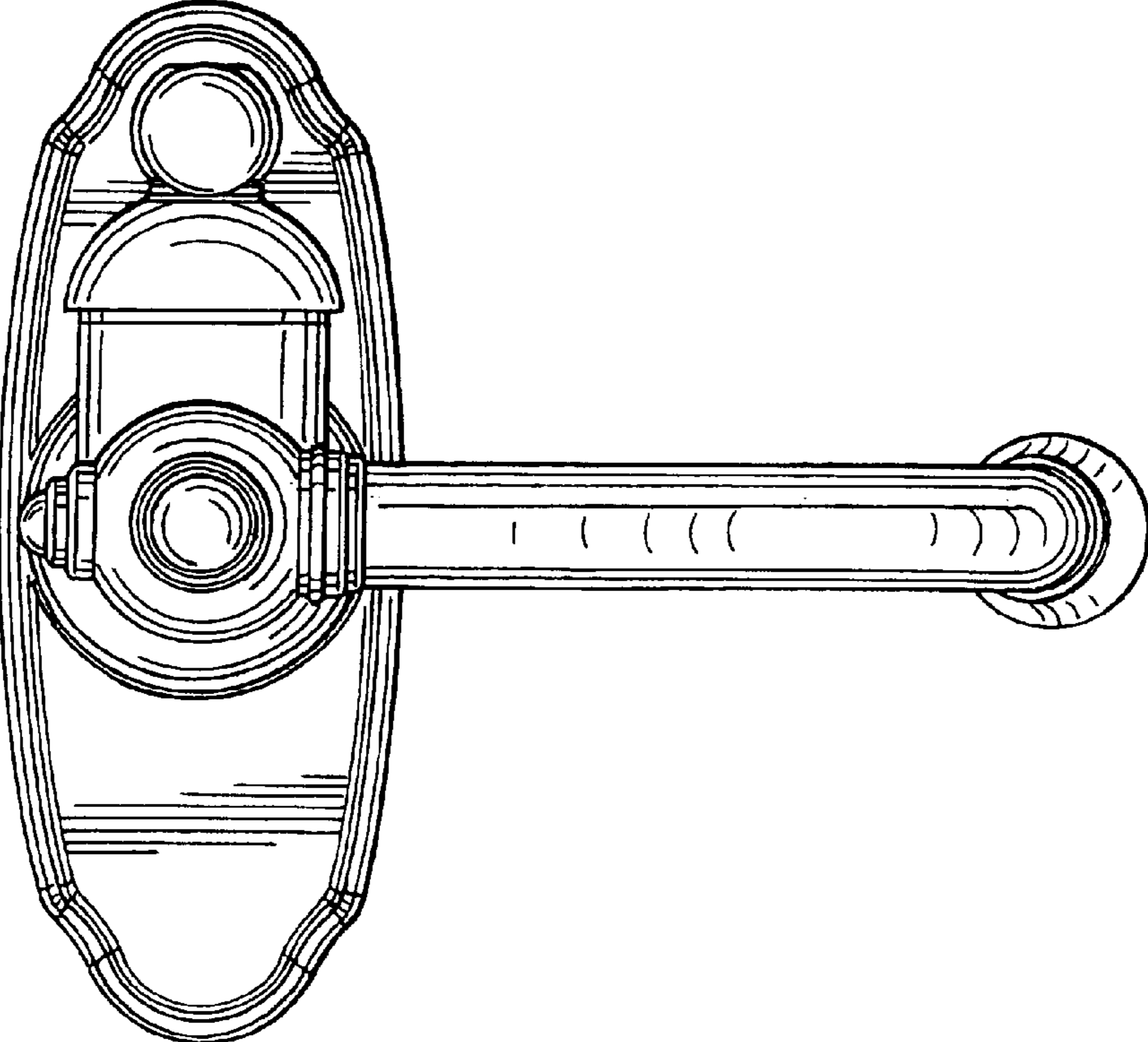


FIG.3

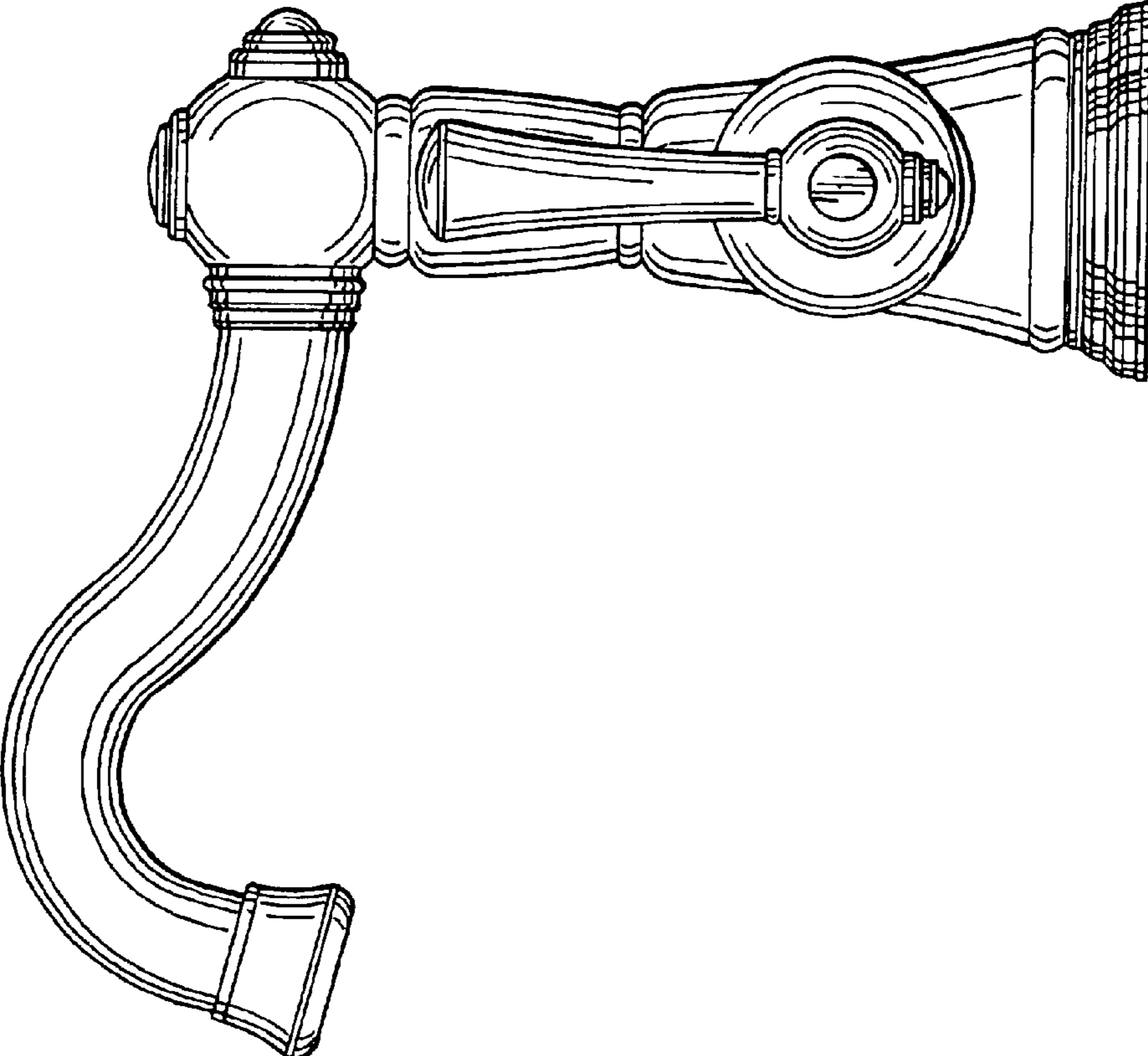


FIG.6

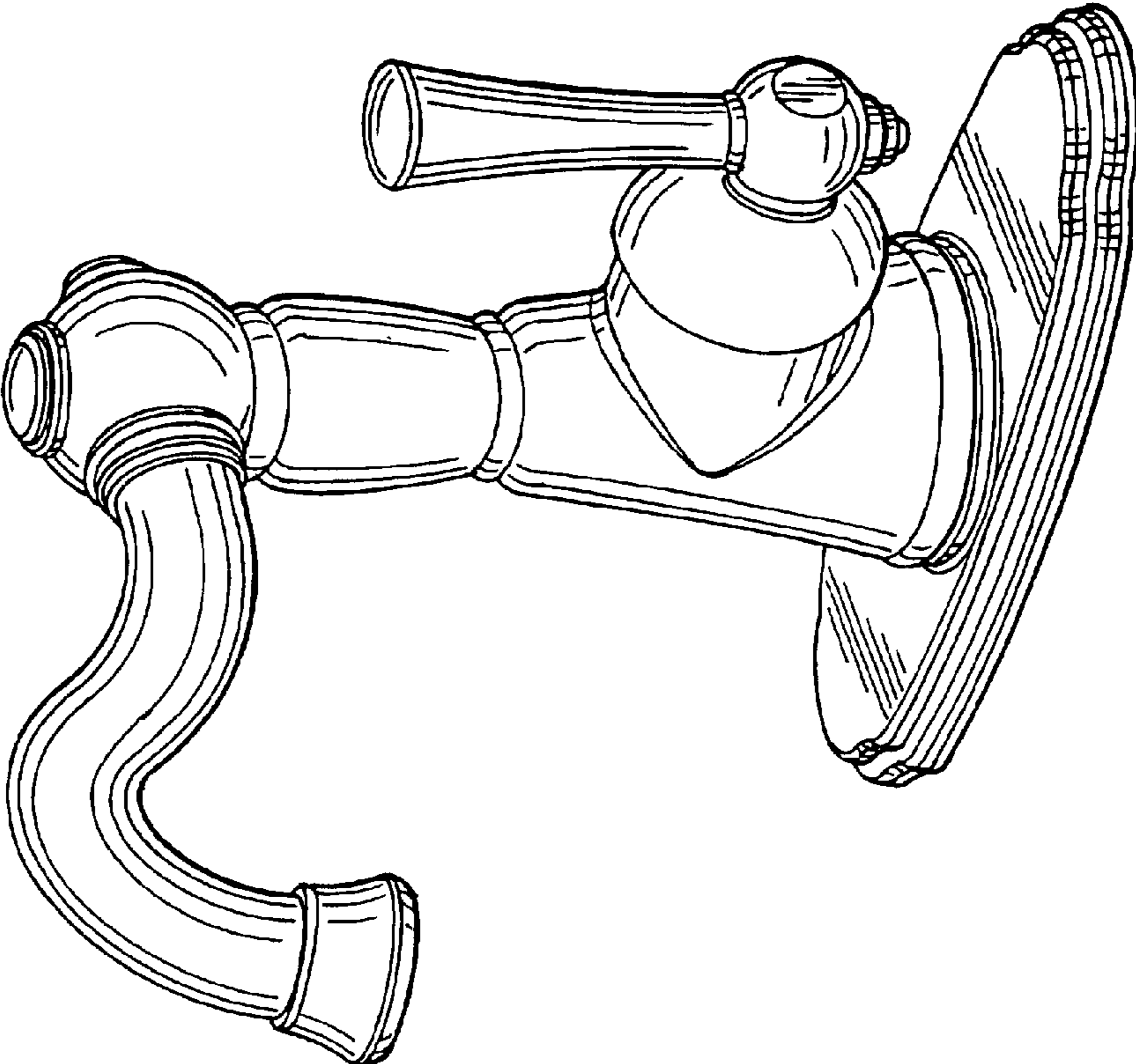


FIG.5

