

US00D507325S

(12) **United States Design Patent**
McClellan

(10) **Patent No.:** **US D507,325 S**
(45) **Date of Patent:** **** Jul. 12, 2005**

(54) **WATER PURIFYING INSTALLATION**

(75) Inventor: **Jonathan McClellan**, Berkshire (GB)

(73) Assignee: **Hanovia Limited**, Berkshire (GB)

(**) Term: **14 Years**

(21) Appl. No.: **29/202,903**

(22) Filed: **Apr. 6, 2004**

(51) **LOC (8) Cl.** **23-01**

(52) **U.S. Cl.** **D23/207**

(58) **Field of Search** **D23/207, 209;**
210/250, 446; 250/432

(56) **References Cited**

U.S. PATENT DOCUMENTS

D282,561 S	*	2/1986	Lu	D23/207
D292,429 S	*	10/1987	Spink	D23/209
D306,339 S	*	2/1990	Slovak	D23/207
D351,893 S	*	10/1994	Whitesel	D23/207
6,372,132 B1	*	4/2002	Williams	210/232

* cited by examiner

Primary Examiner—Robin V. Taylor

(74) *Attorney, Agent, or Firm*—Schwegman, Lundberg, Woessner & Kluth, P.A.

(57) **CLAIM**

The ornamental design for the water purifying installation, as shown and described.

DESCRIPTION

FIG. 1 is a perspective view of the water purifying installation, incorporating the new design.

FIG. 2 is a right side view of the water purifying installation, of FIG. 1.

FIG. 3 is a left side view of the water purifying installation, of FIG. 1.

FIG. 4 is a top view of the water purifying installation, of FIG. 1.

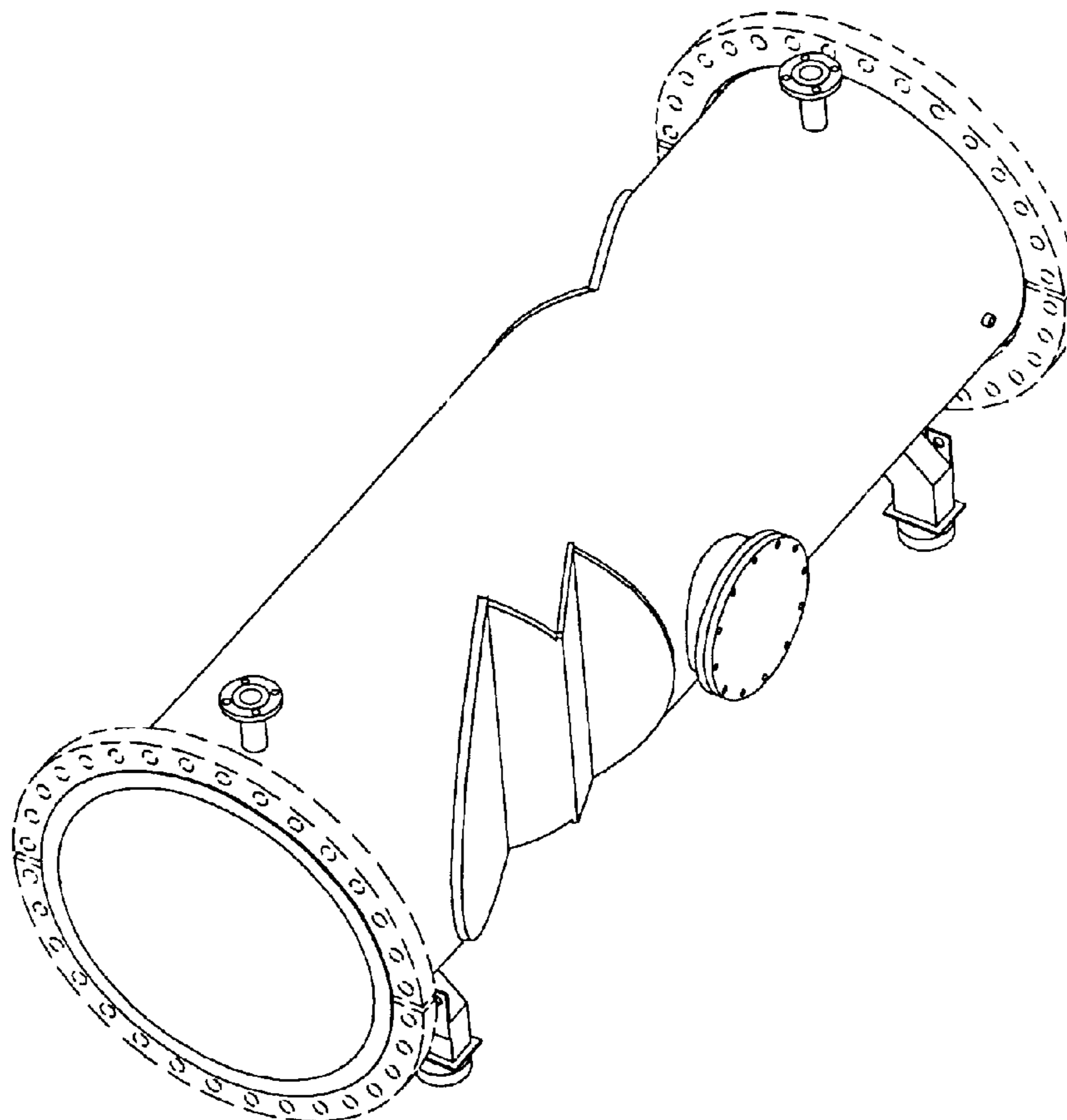
FIG. 5 is a bottom view of the water purifying installation, of FIG. 1.

FIG. 6 is a rear view of the water purifying installation, of FIG. 1; and,

FIG. 7 is a front view of the water purifying installation, of FIG. 1.

The broken line showing is for illustrative purposes only and forms no part of the claimed design.

1 Claim, 6 Drawing Sheets



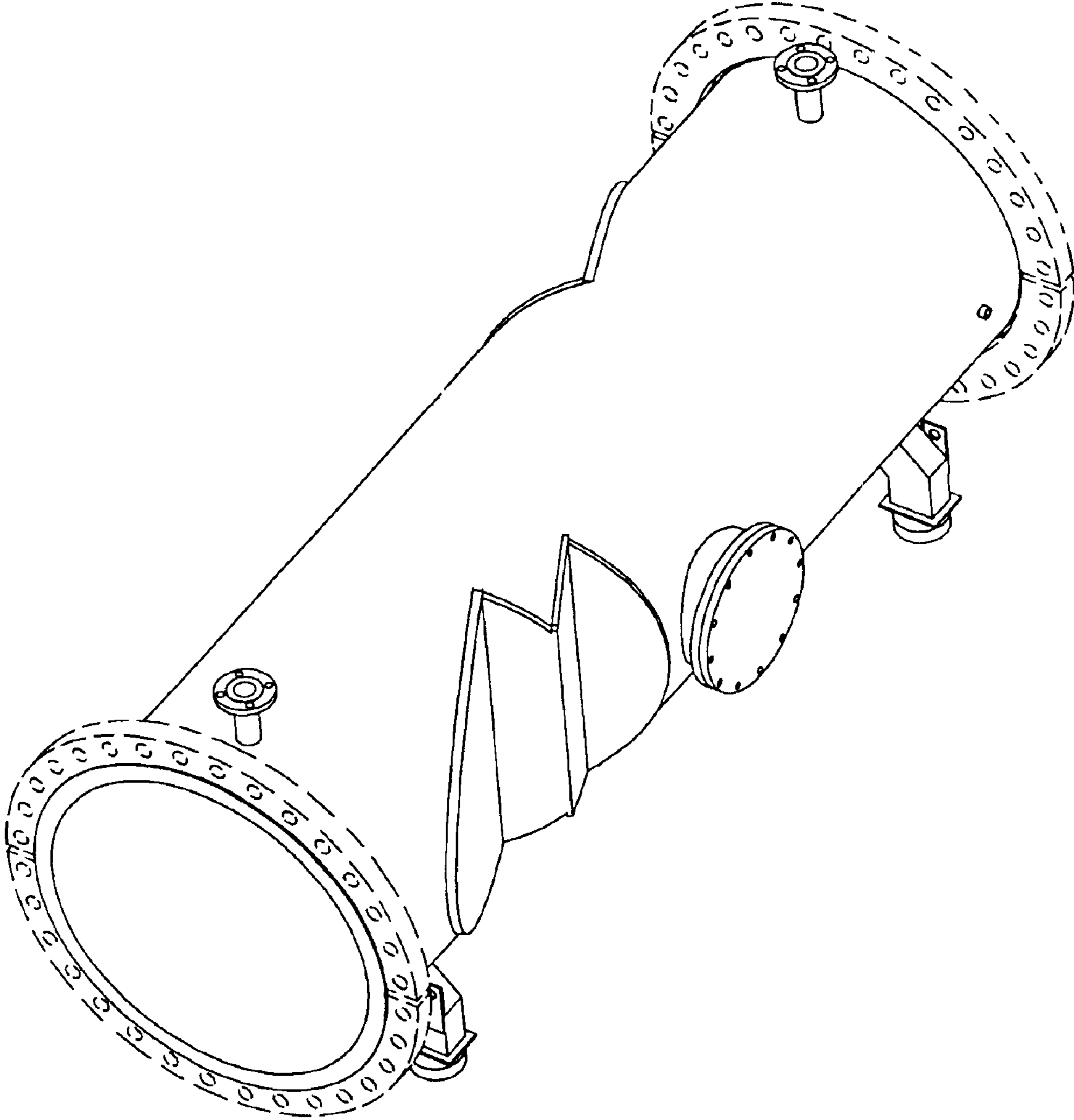


FIG. 1

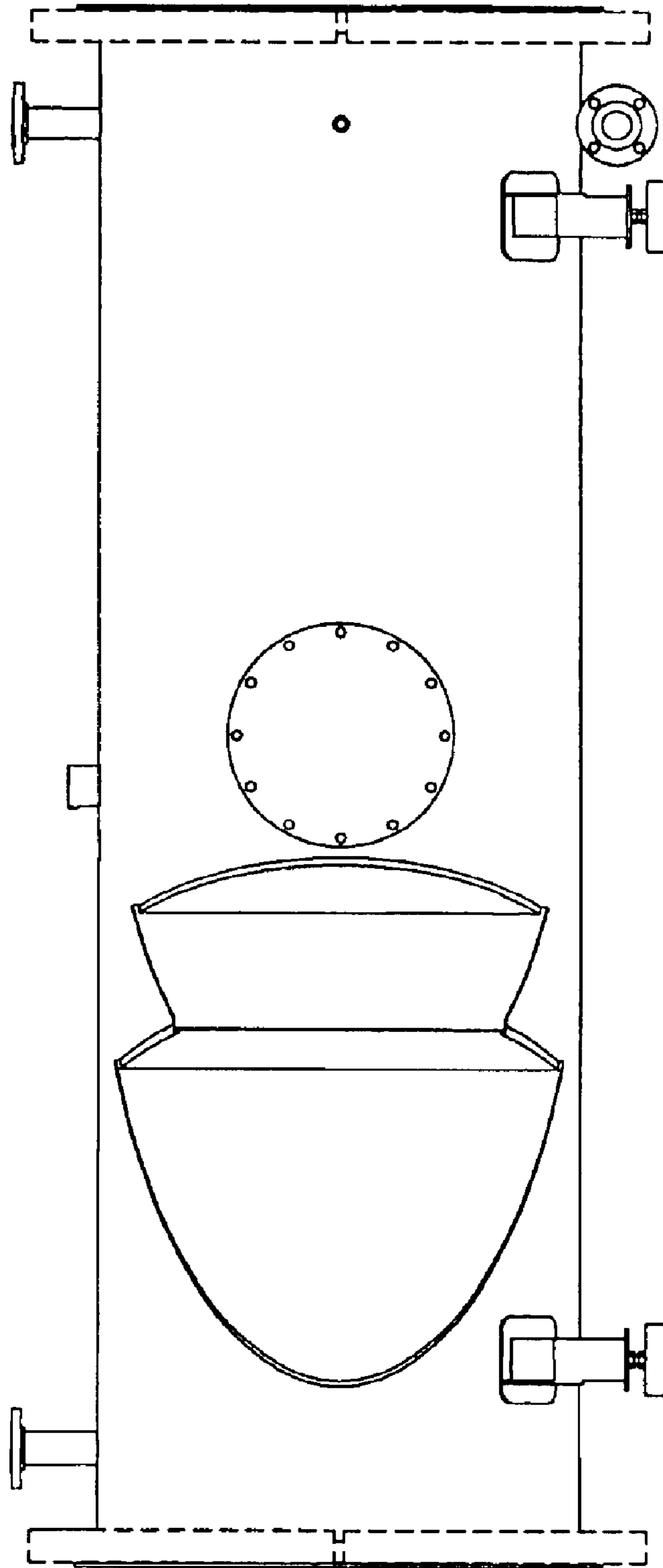


FIG. 2

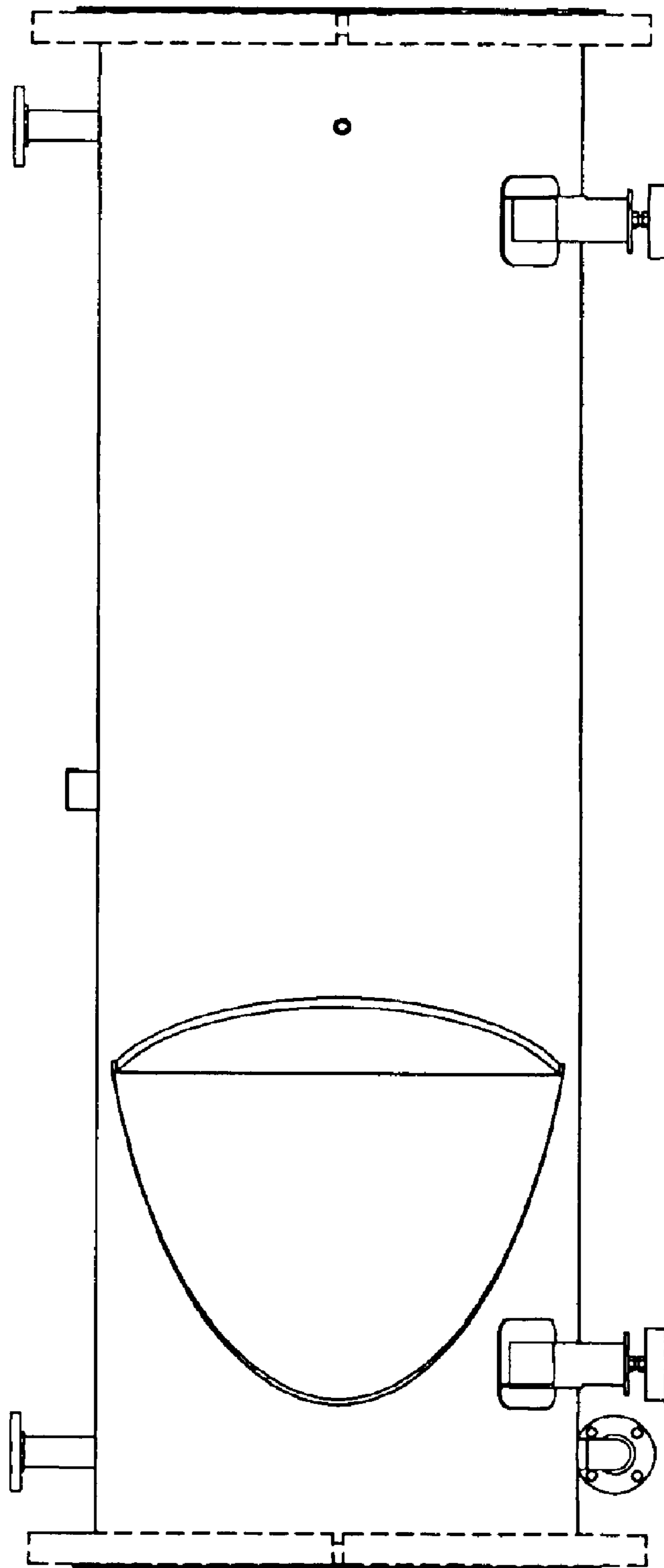


FIG. 3

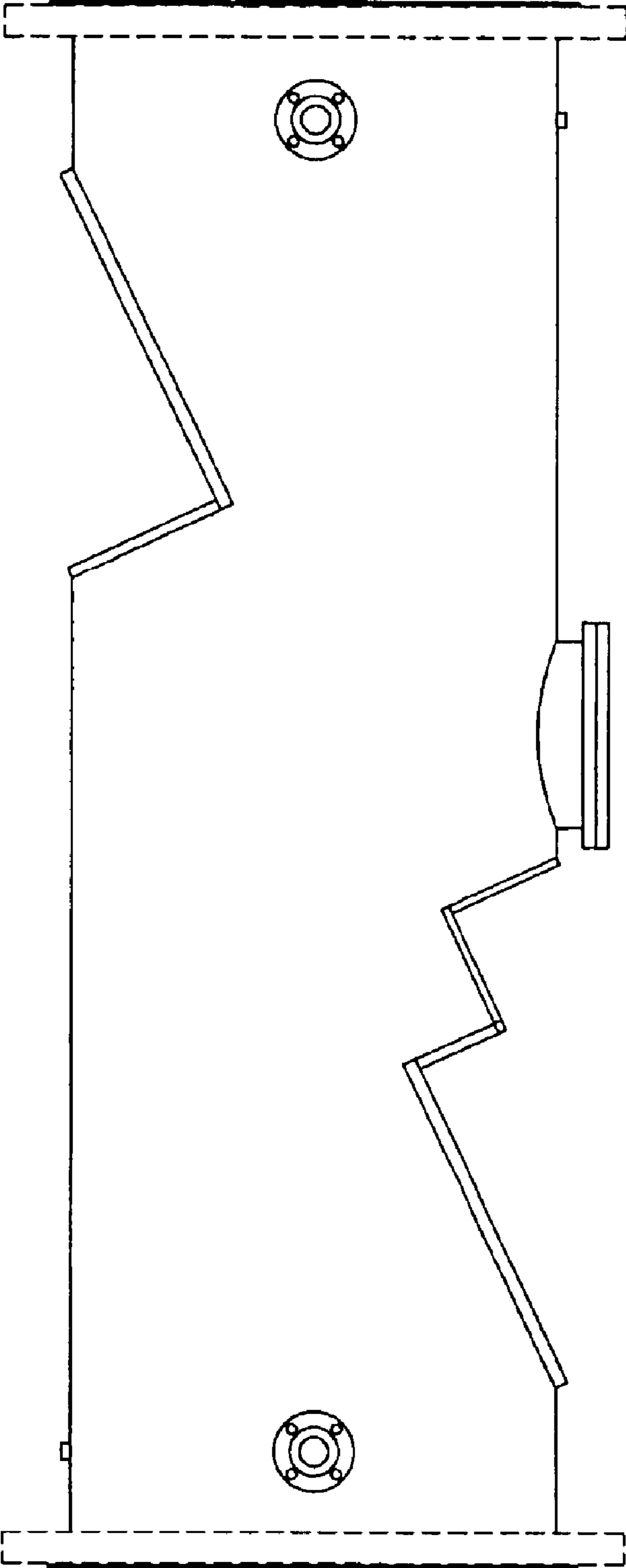


FIG. 4

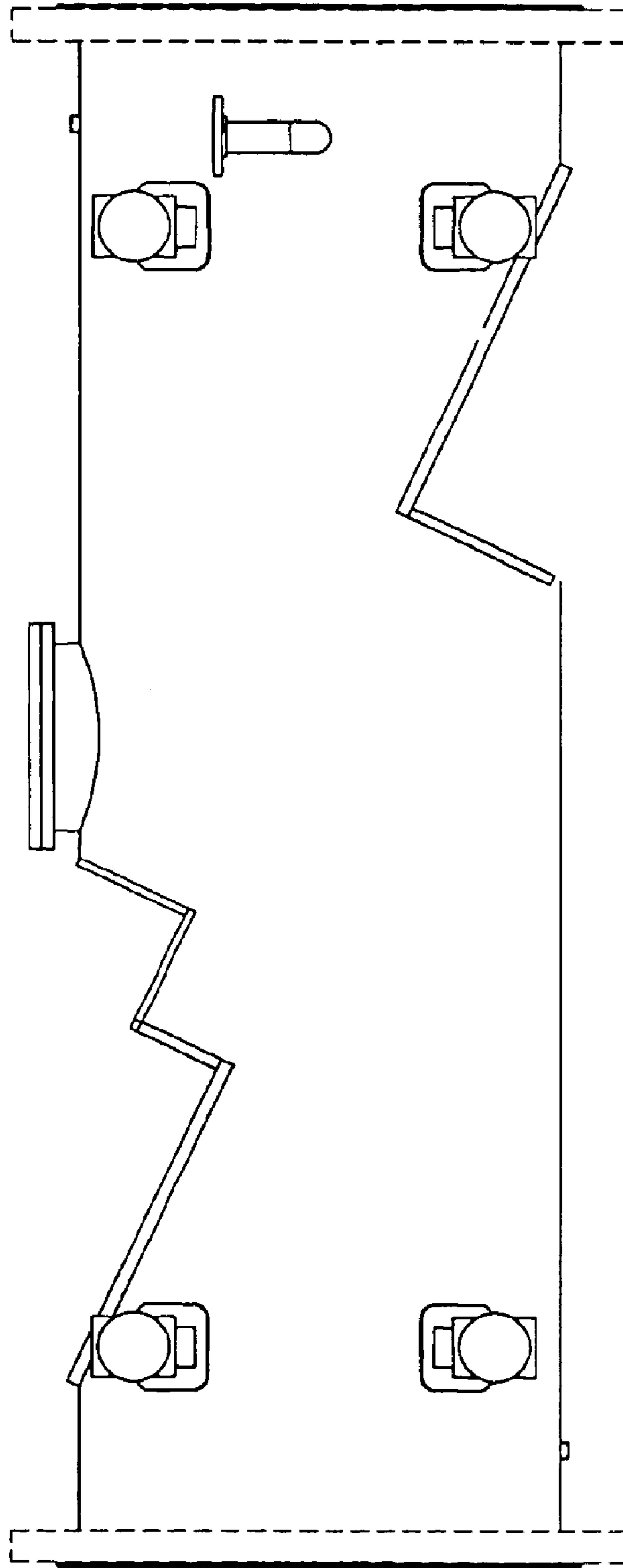


FIG. 5

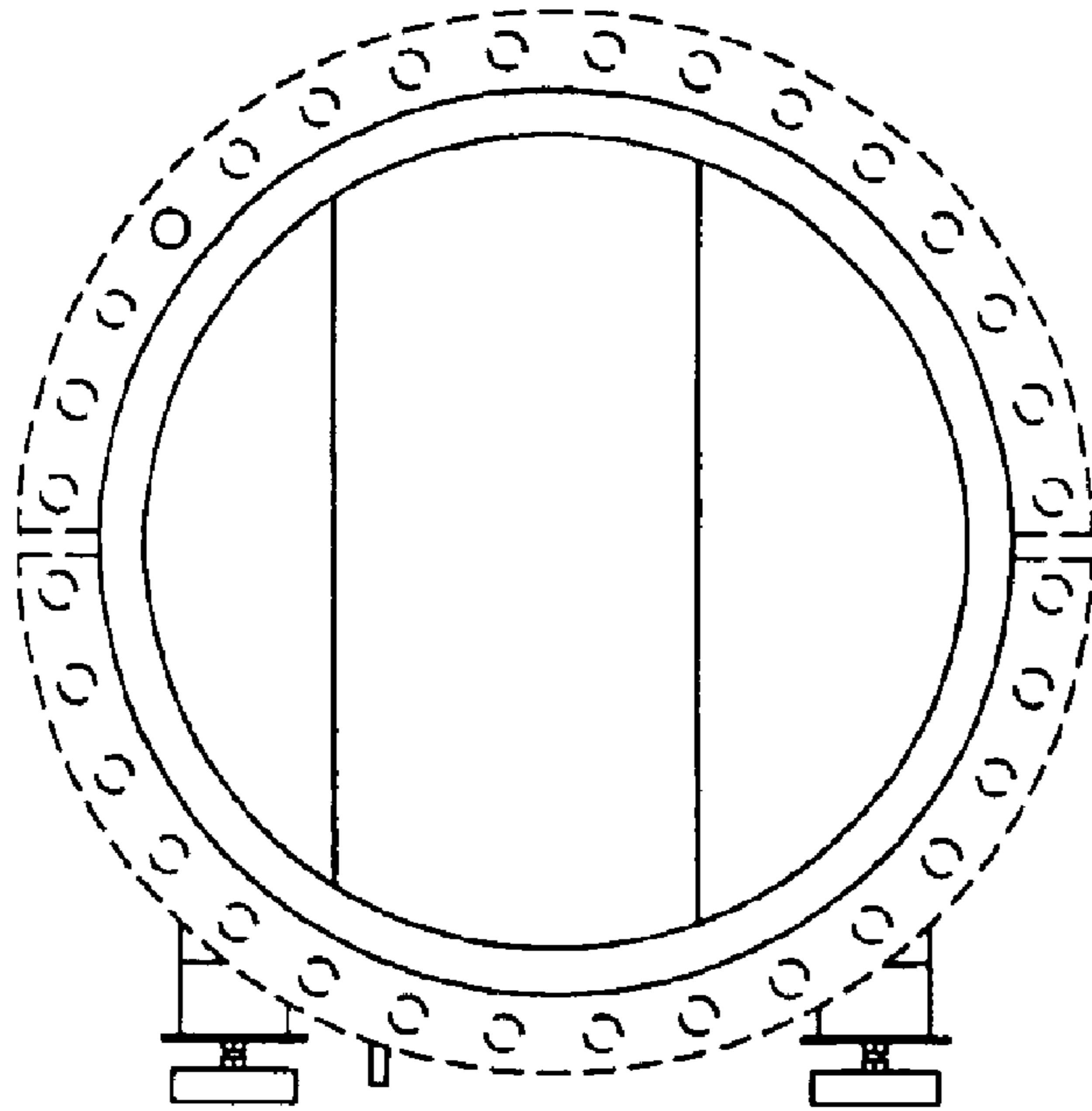


FIG. 6

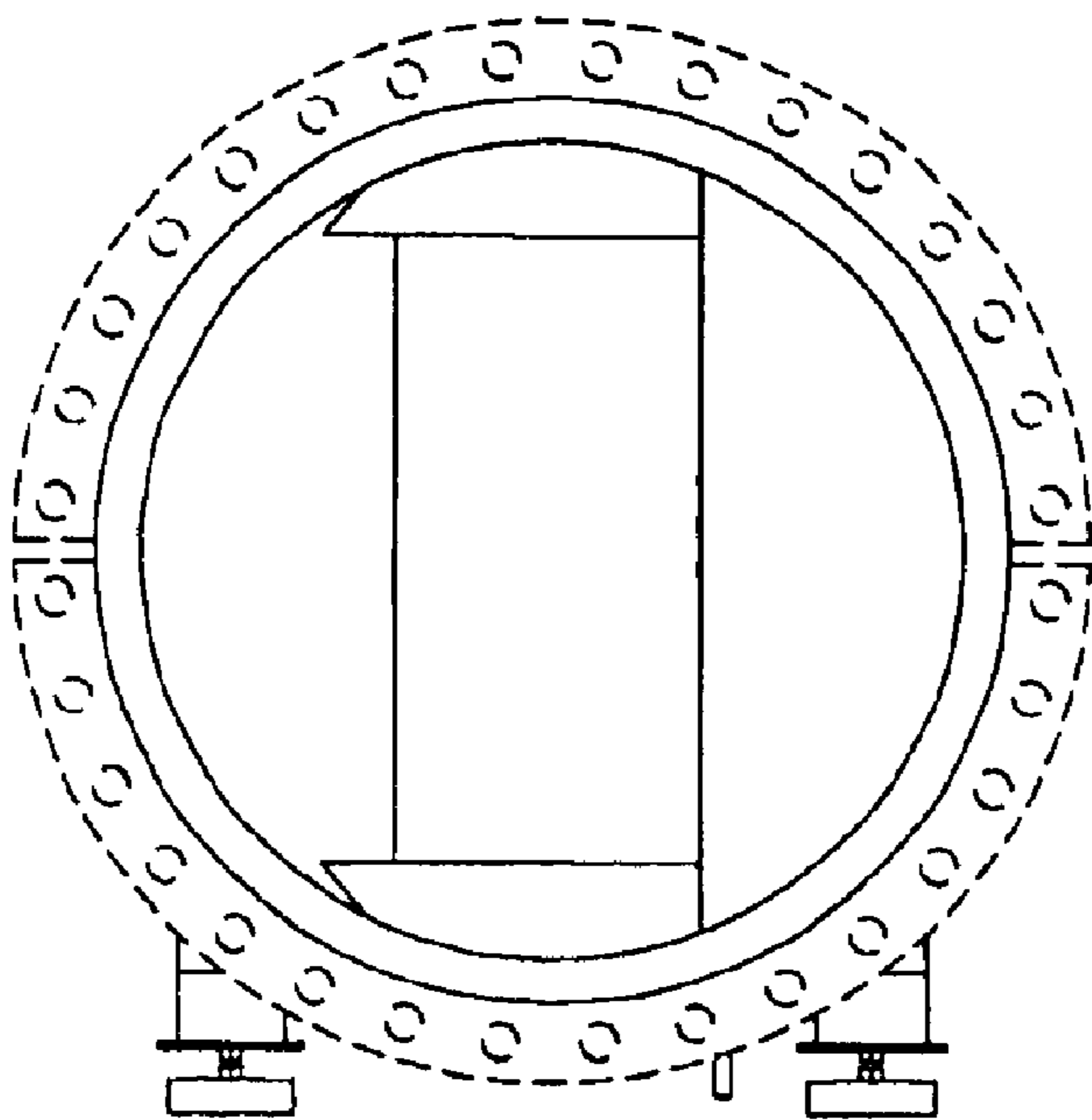


FIG. 7