



US00D507318S

(12) **United States Design Patent**
Garcia

(10) **Patent No.:** **US D507,318 S**

(45) **Date of Patent:** **** Jul. 12, 2005**

(54) **GOLF CLUB HEAD**

D496,416 * 9/2004 Garcia D21/738

(76) **Inventor:** **Larry Garcia**, 396 Oakland Beach Ave., Rye, NY (US) 10580

* cited by examiner

Primary Examiner—Mitchell Siegel

(**) **Term:** **14 Years**

(57) **CLAIM**

(21) **Appl. No.:** **29/198,856**

I claim the ornamental design for a golf club head, as shown in the drawing.

(22) **Filed:** **Feb. 6, 2004**

DESCRIPTION

(51) **LOC (8) Cl.** **21-02**

FIG. 1 is a perspective view of a golf club head showing my new design.

(52) **U.S. Cl.** **D21/744**

FIG. 2 is a top plan view thereof.

(58) **Field of Search** D21/736-746;

FIG. 3 is a left side elevation view thereof.

473/324-331, 340, 341, 251-256

FIG. 4 is a right side elevation view thereof.

(56) **References Cited**

FIG. 5 is a bottom plan view thereof.

U.S. PATENT DOCUMENTS

FIG. 6 is a front elevation view thereof; and,

D396,896 * 8/1998 Casteel D21/742

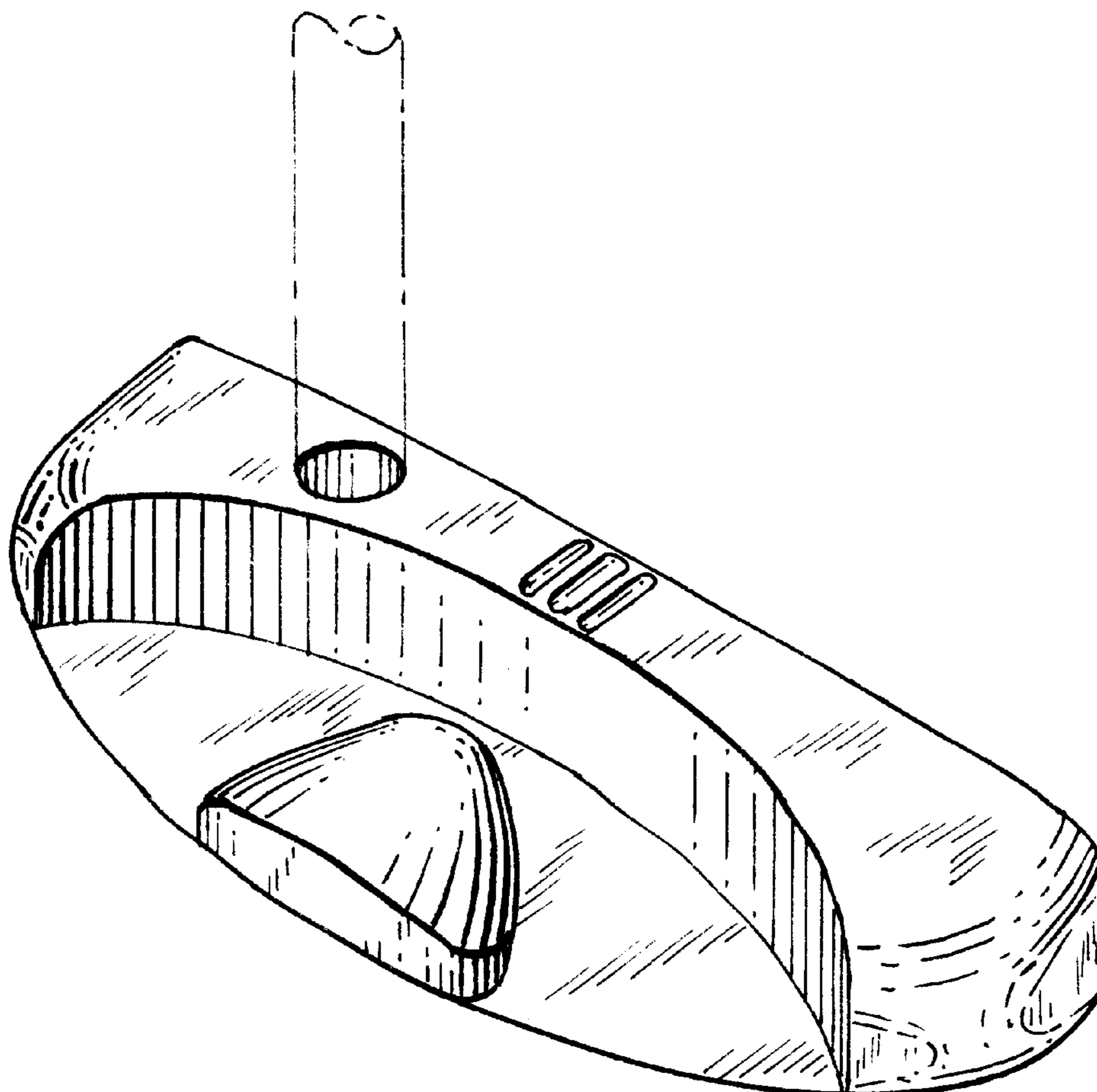
FIG. 7 is a rear elevation view thereof.

D430,631 * 9/2000 Garcia D21/742

D485,322 * 1/2004 Madore D21/742

D485,880 * 1/2004 Madore et al. D21/759

1 Claim, 3 Drawing Sheets



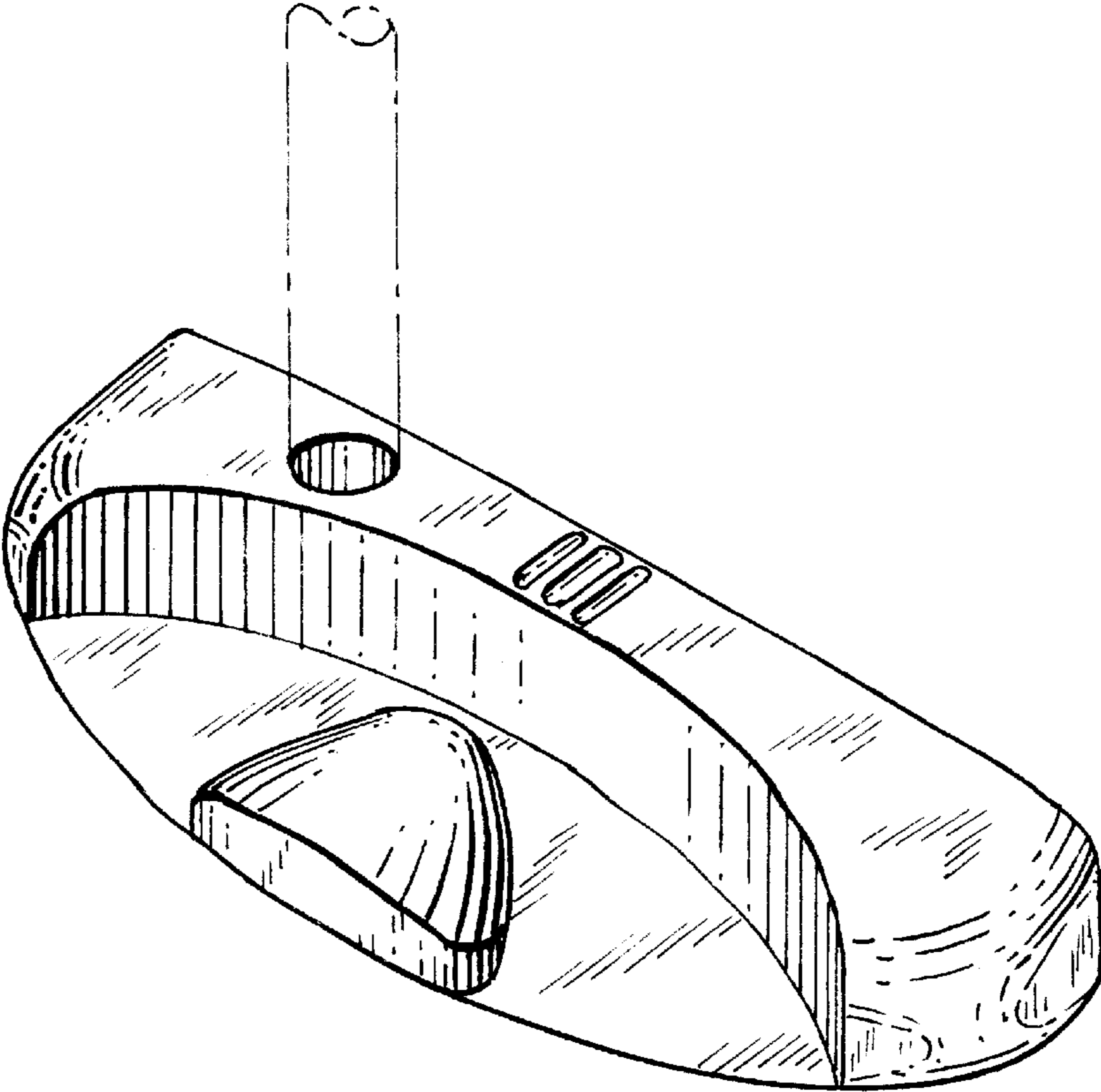


FIG. I

FIG. 2

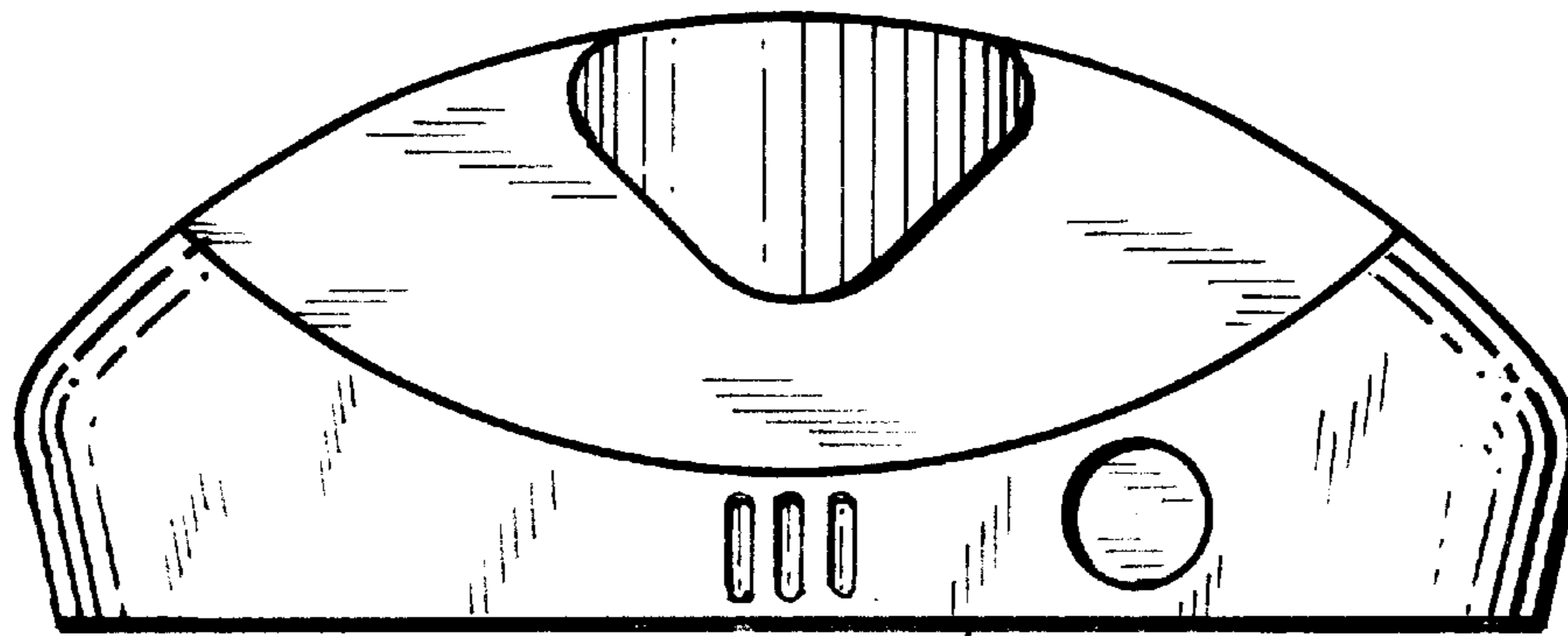


FIG. 3

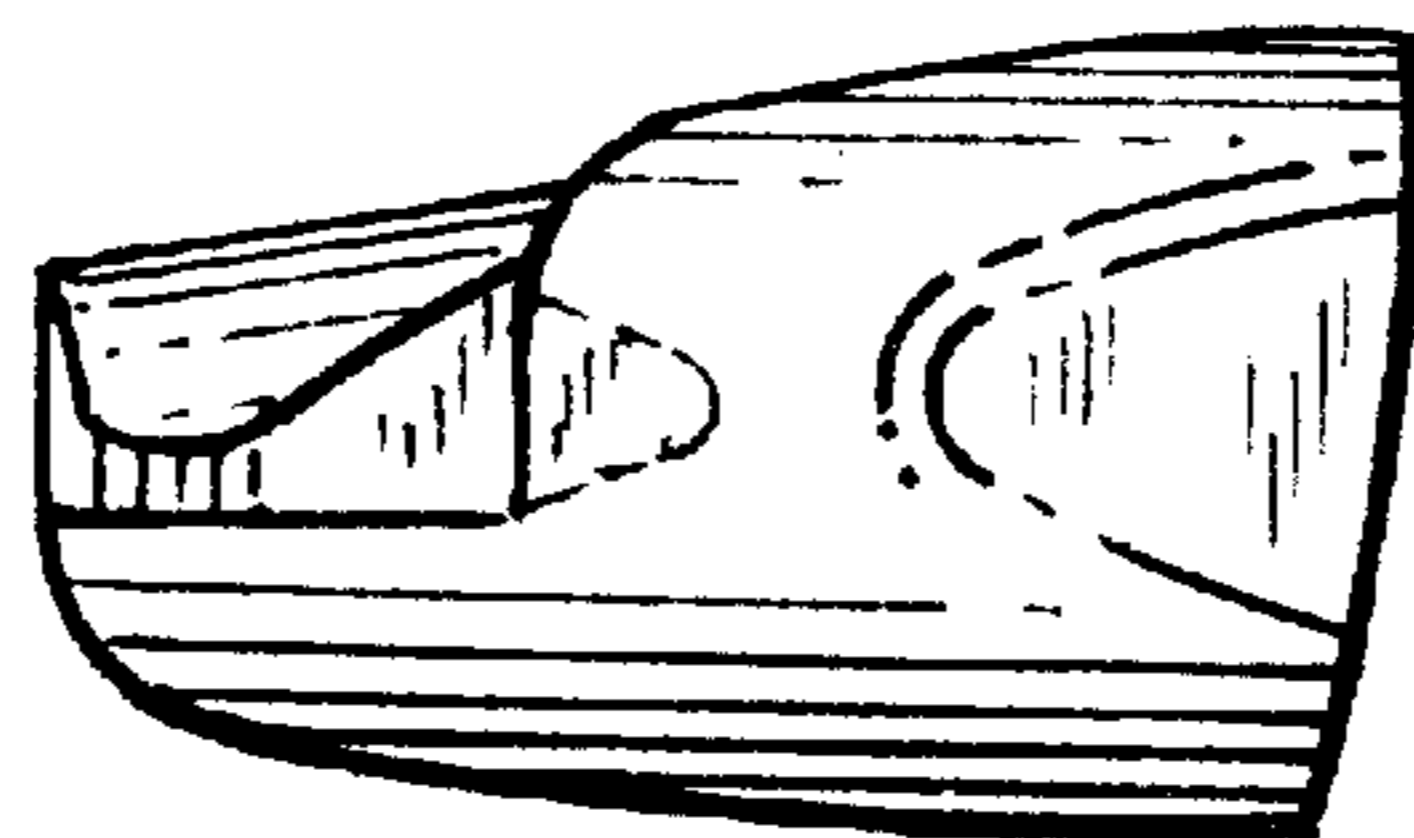


FIG. 4

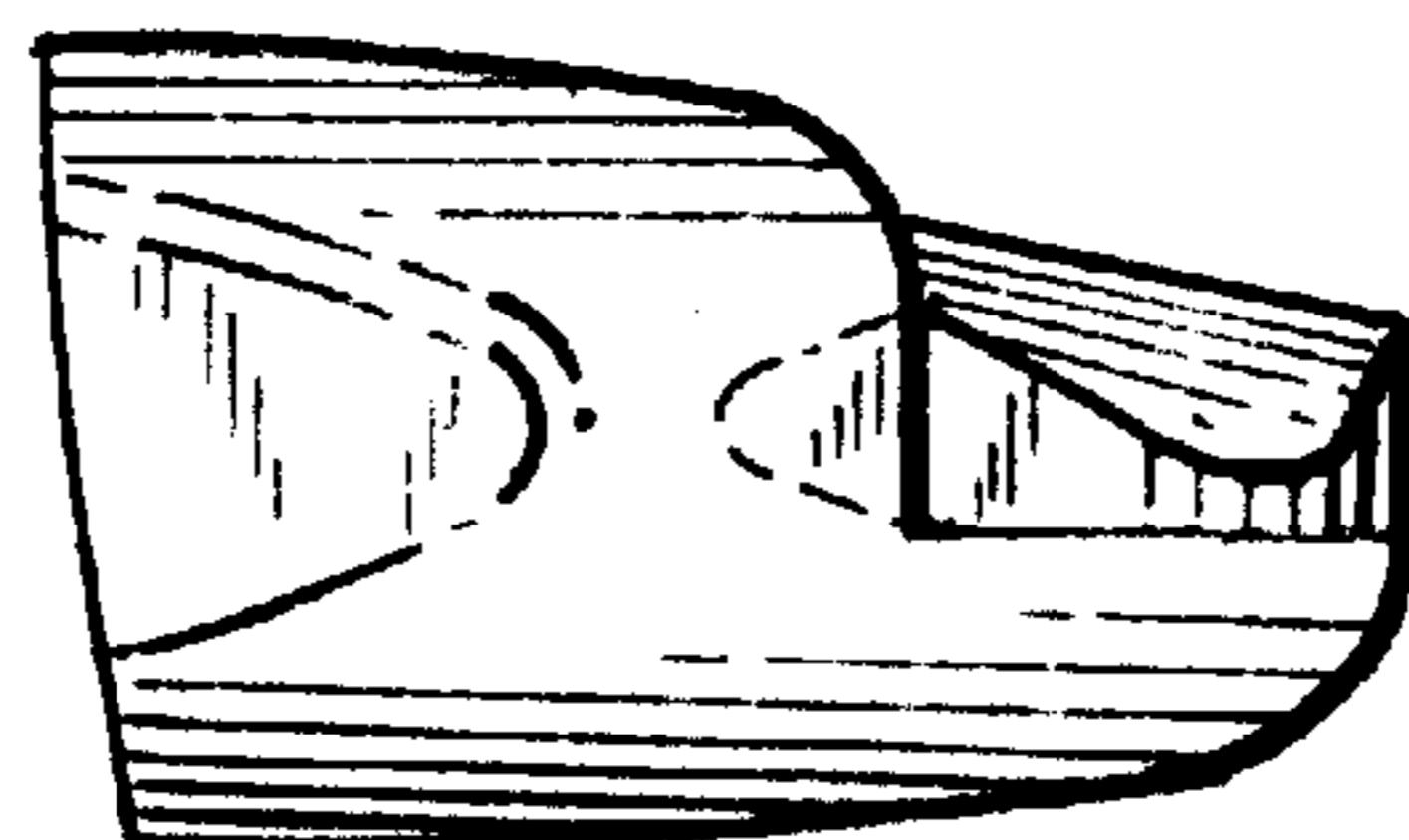


FIG.5

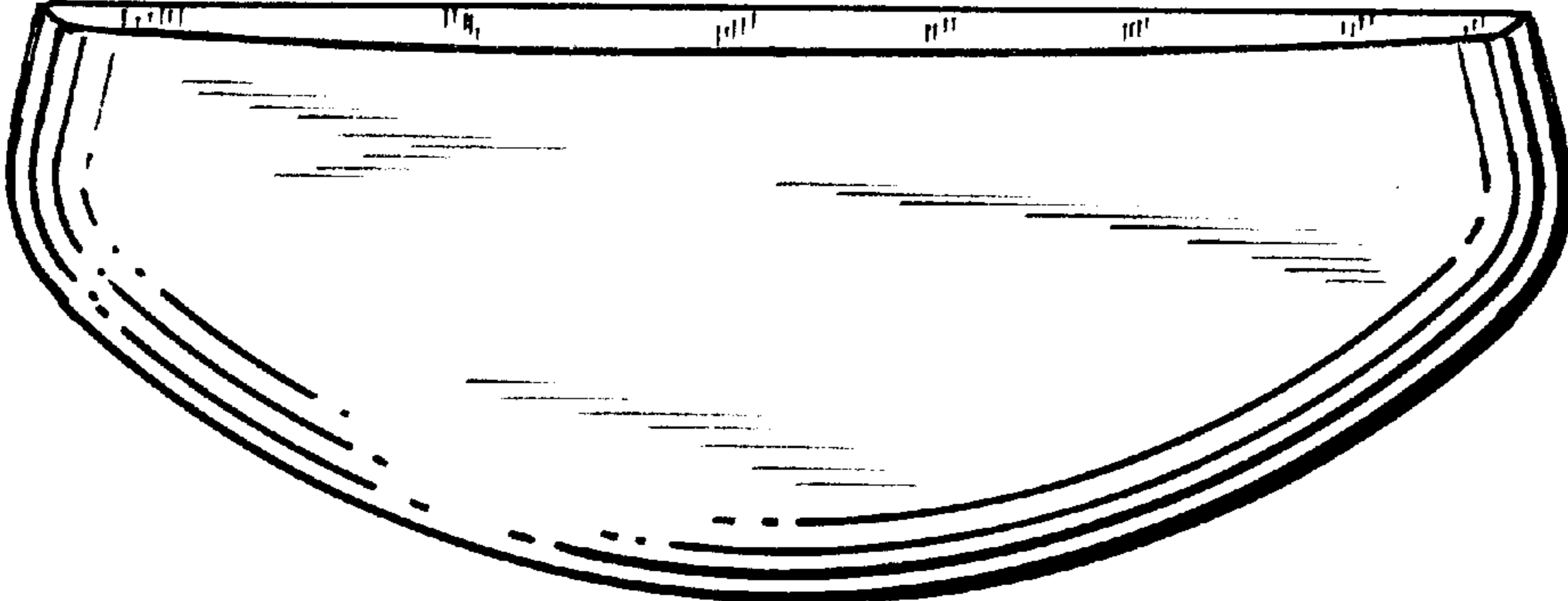


FIG.6

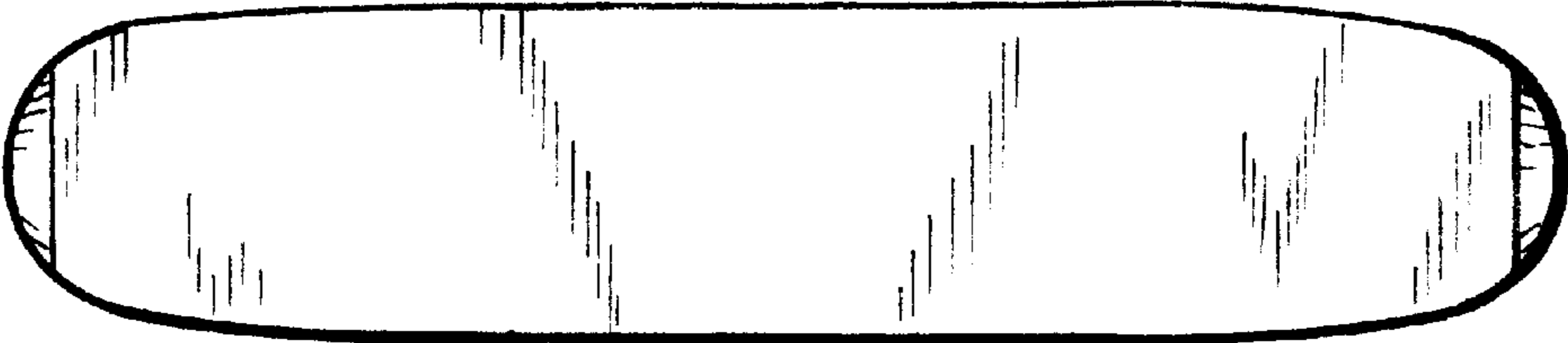


FIG.7

