



US00D507312S

(12) **United States Design Patent** (10) **Patent No.:** **US D507,312 S**  
**Nishiyama et al.** (45) **Date of Patent:** **\*\* Jul. 12, 2005**

(54) **EXERCISE DEVICE** D459,419 S 6/2002 Nishiyama et al. .... D21/686

(75) Inventors: **Tohru Nishiyama**, Higashiosaka (JP);  
**Junichi Yamada**, Hidaka (JP);  
**Nobutaka Kato**, Yokohama (JP)

(73) Assignee: **Matsushita Electric Works, Ltd.**,  
Osaka (JP)

(\*\*) Term: **14 Years**

(21) Appl. No.: **29/183,388**

(22) Filed: **Jun. 11, 2003**

(30) **Foreign Application Priority Data**

Jan. 16, 2003 (JP) ..... 2003-000923  
Jan. 16, 2003 (JP) ..... 2003-000924  
Jan. 16, 2003 (JP) ..... 2003-000922  
Jan. 16, 2003 (JP) ..... 2003-000921

(51) **LOC (8) Cl.** ..... **21-02**

(52) **U.S. Cl.** ..... **D21/690; D21/662**

(58) **Field of Search** ..... D21/686, 690,  
D21/828, 831; 472/96, 97; 446/313; D6/552;  
D24/183

(56) **References Cited**

**U.S. PATENT DOCUMENTS**

3,997,979 A \* 12/1976 Turner ..... 472/29  
4,519,787 A \* 5/1985 Williams ..... 446/313  
5,085,425 A \* 2/1992 Collins et al. .... 472/97  
D351,742 S \* 10/1994 Phleps et al. .... D6/367  
5,533,899 A \* 7/1996 Young ..... 434/61  
D440,264 S \* 4/2001 Venhuizen ..... D21/690

**FOREIGN PATENT DOCUMENTS**

DE 4 00 11 581.6 2/2001

\* cited by examiner

*Primary Examiner*—Philip S. Hyder

(74) *Attorney, Agent, or Firm*—Osha Liang LLP

(57) **CLAIM**

The ornamental design for an exercise device, as shown and described.

**DESCRIPTION**

FIG. 1 shows a front view of the design according to the invention.

FIG. 2 shows a back view of the design according to the invention.

FIG. 3 shows a top view of the design according to the invention.

FIG. 4 shows a bottom view of the design according to of the invention.

FIG. 5 shows a side view of the design according to the invention.

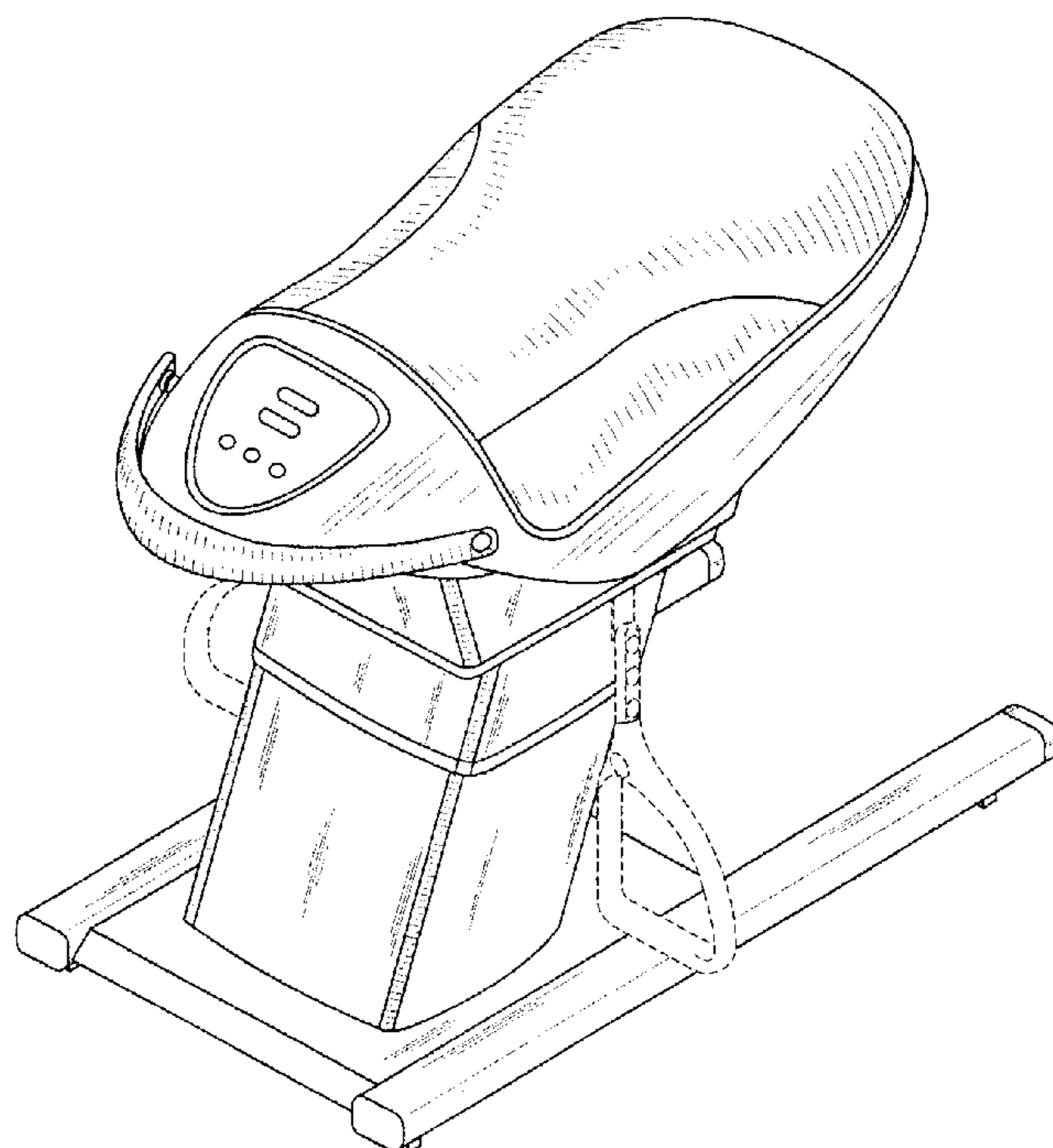
FIG. 6 shows a side view of the design in an alternate position according to the invention.

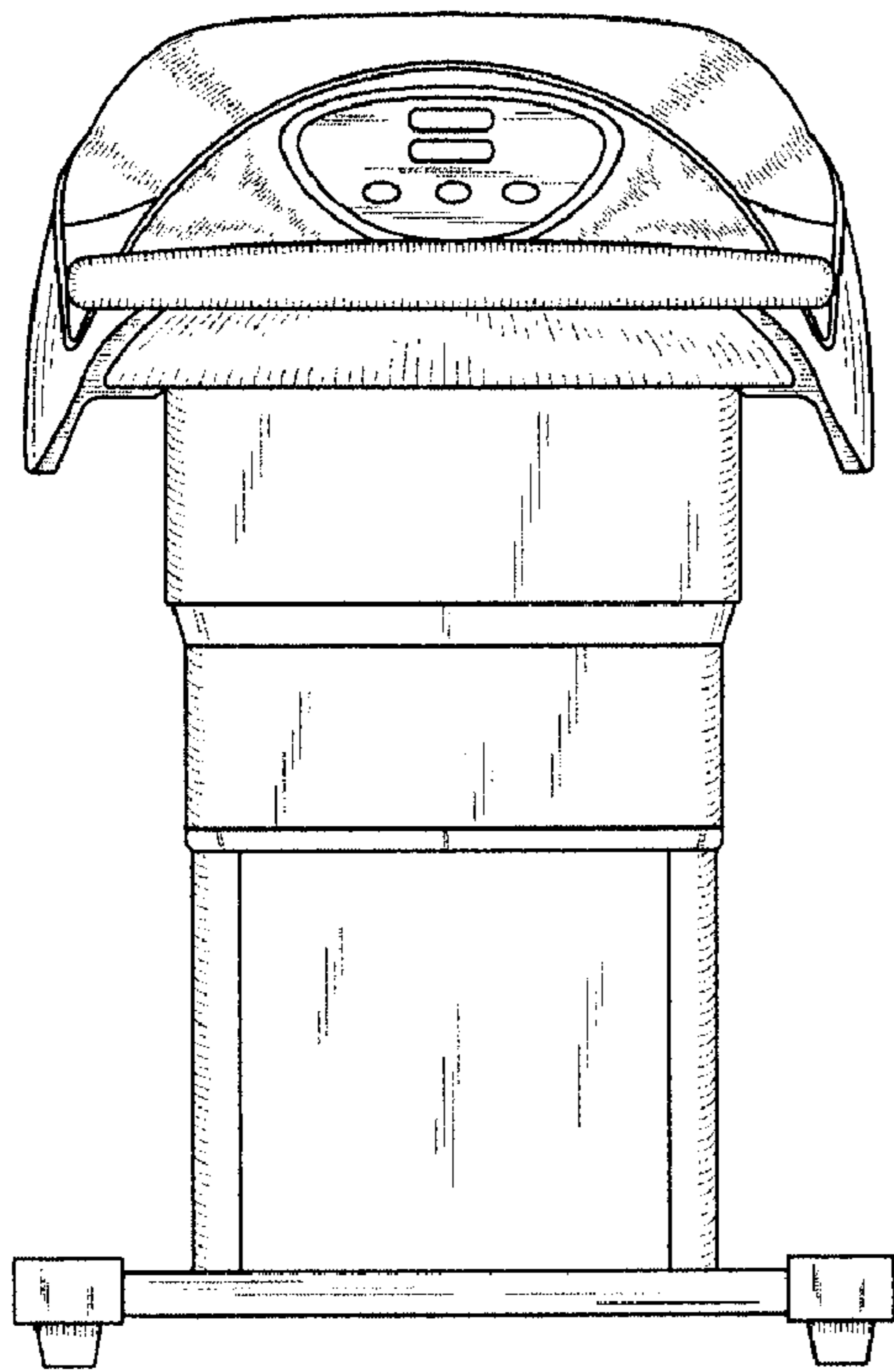
FIG. 7 shows a side view of the design in an alternate position according to the invention; and,

FIG. 8 shows a perspective view of the design according to the invention.

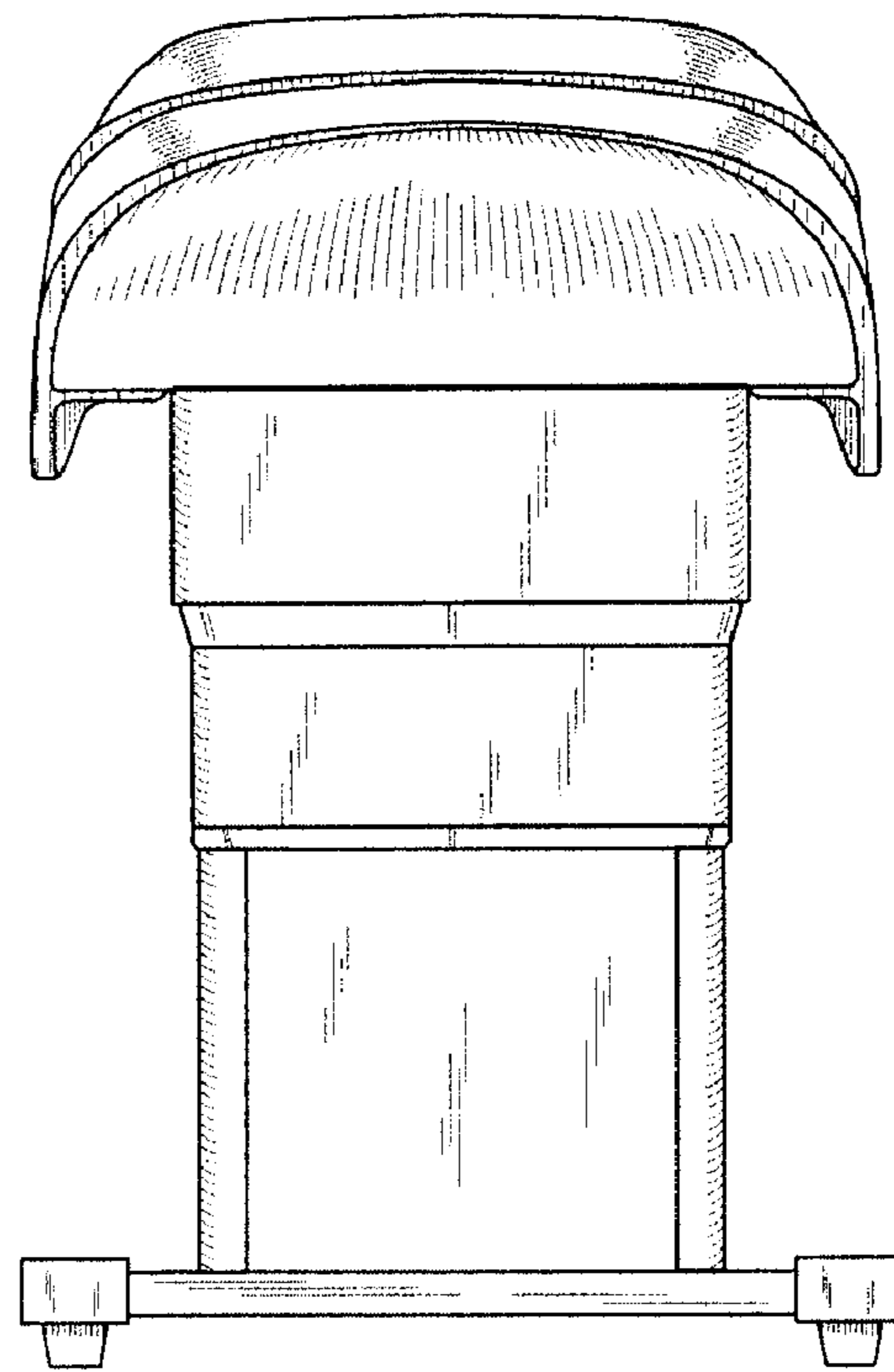
The portions in even broken lines are for illustrative purposes only and form no part of the claimed design.

**1 Claim, 4 Drawing Sheets**

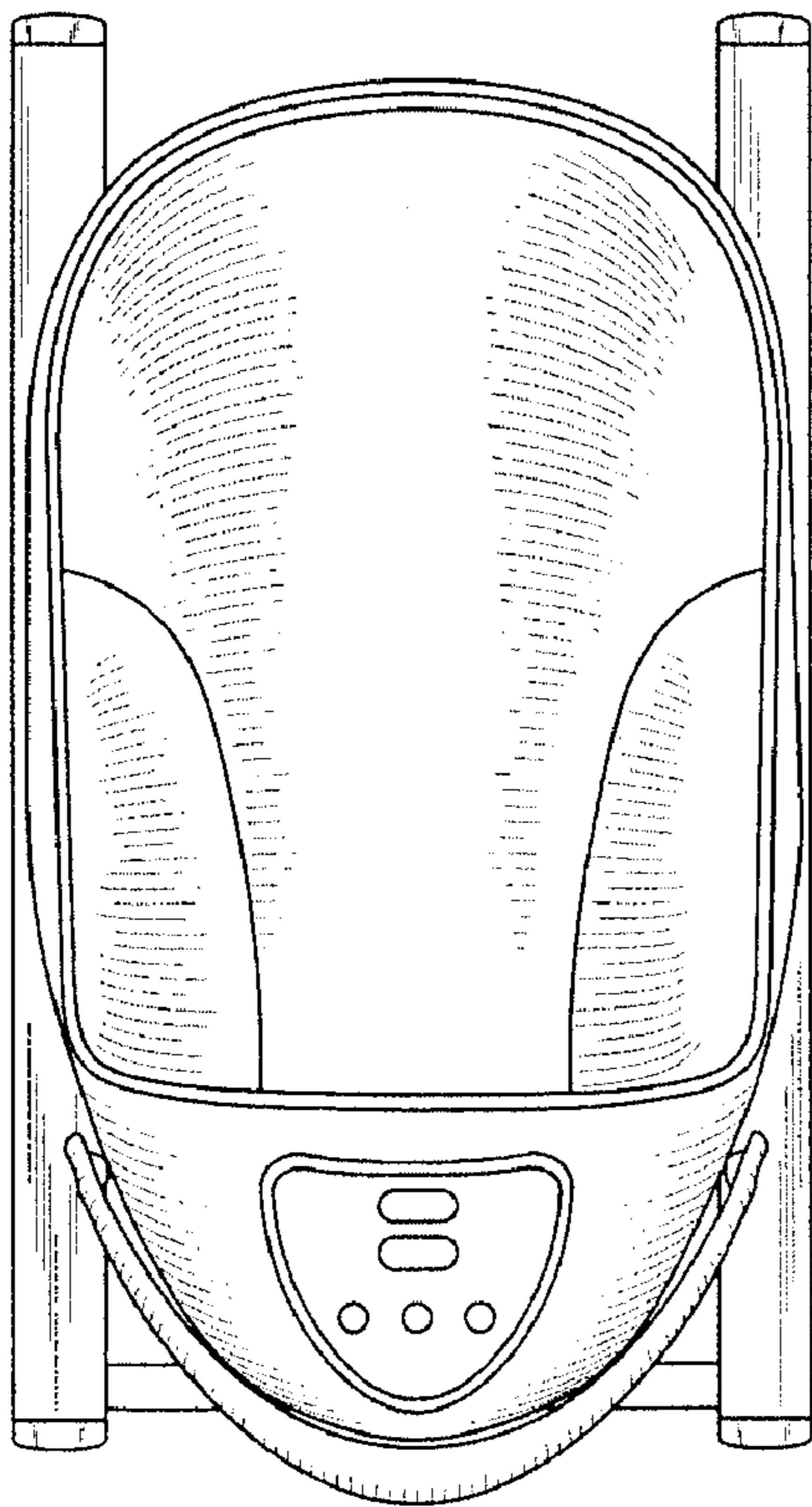




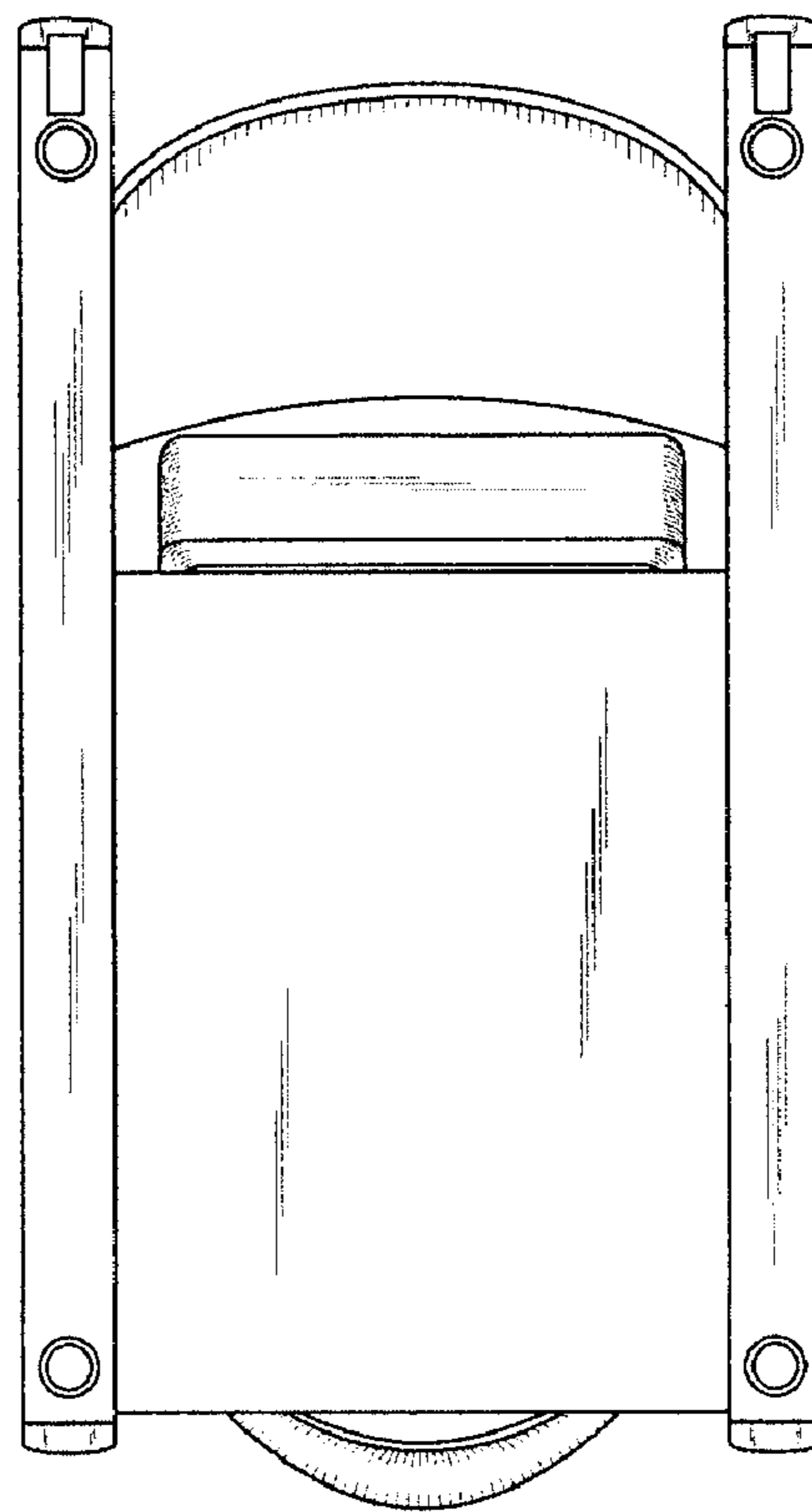
**FIG. 1**



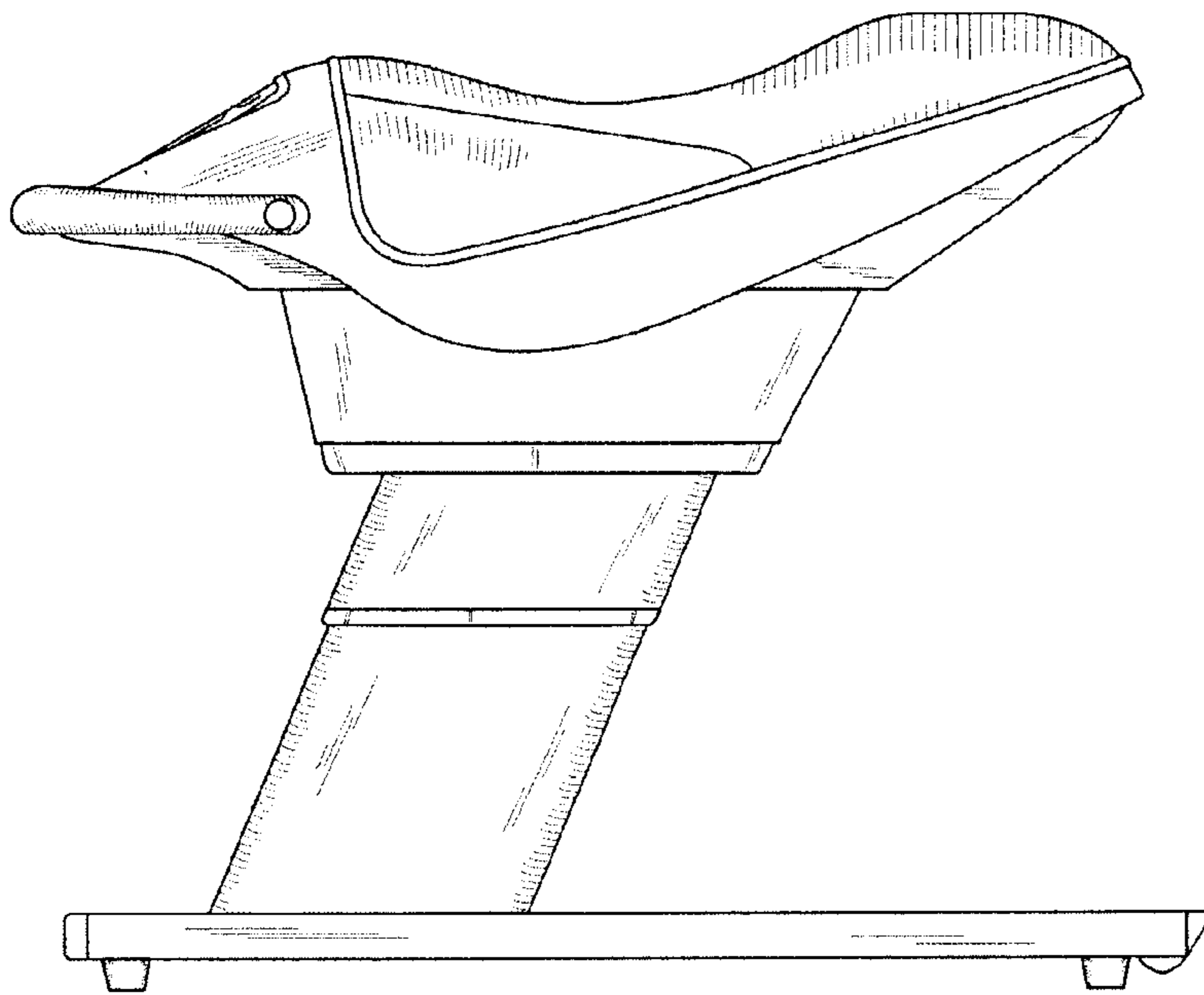
**FIG. 2**



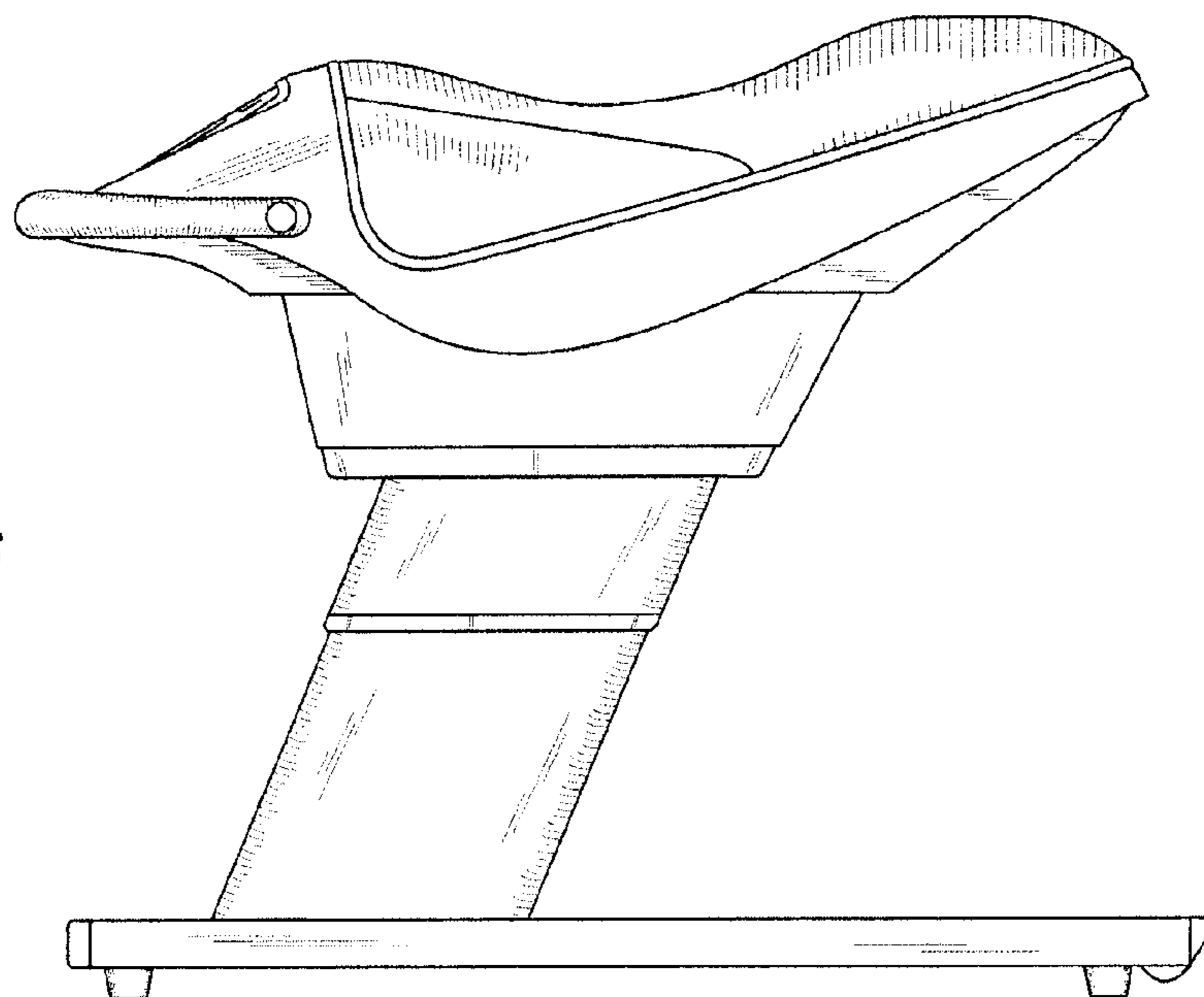
**FIG. 3**



**FIG. 4**



**FIG. 5**



**FIG. 6**

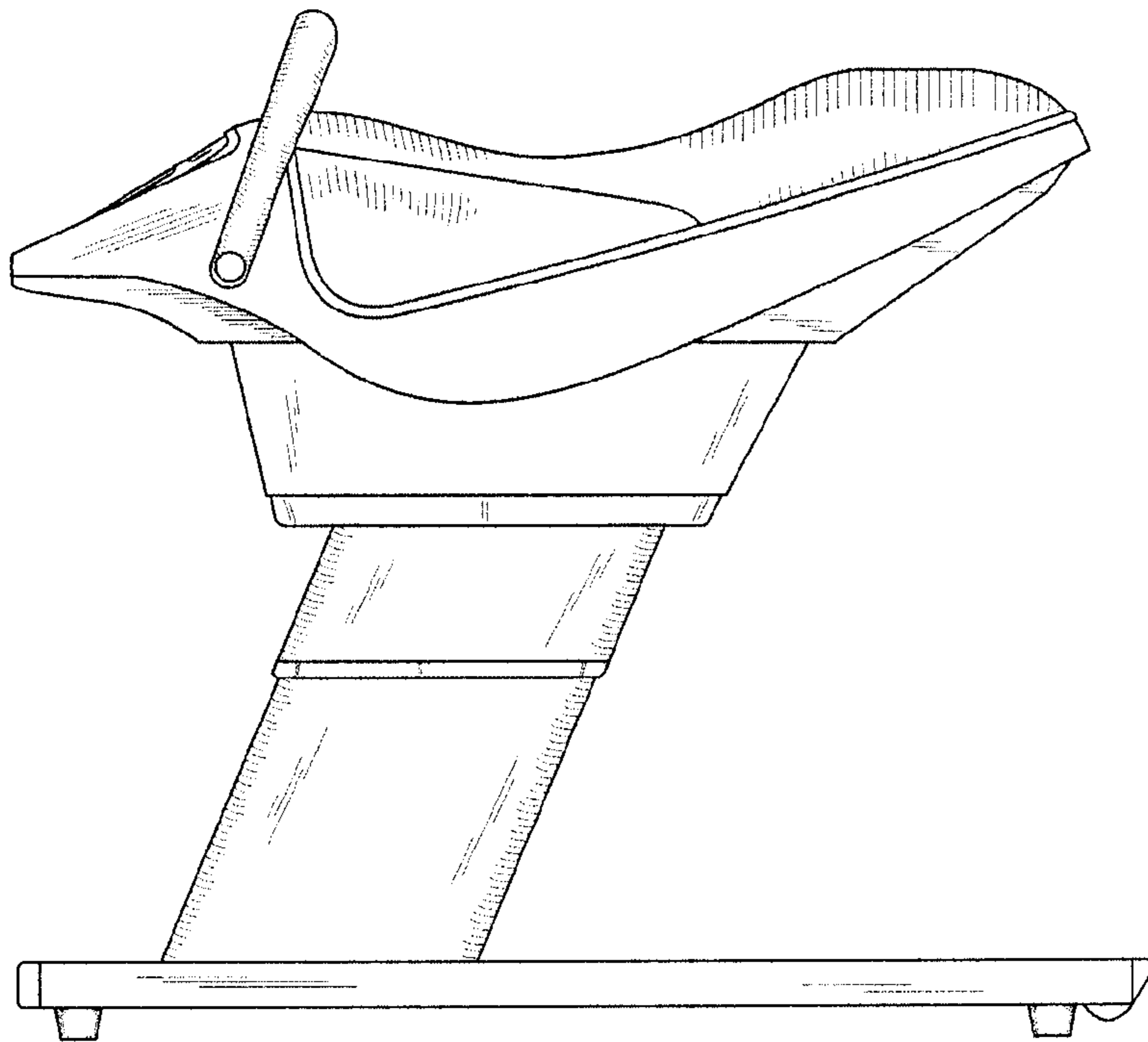


FIG. 7

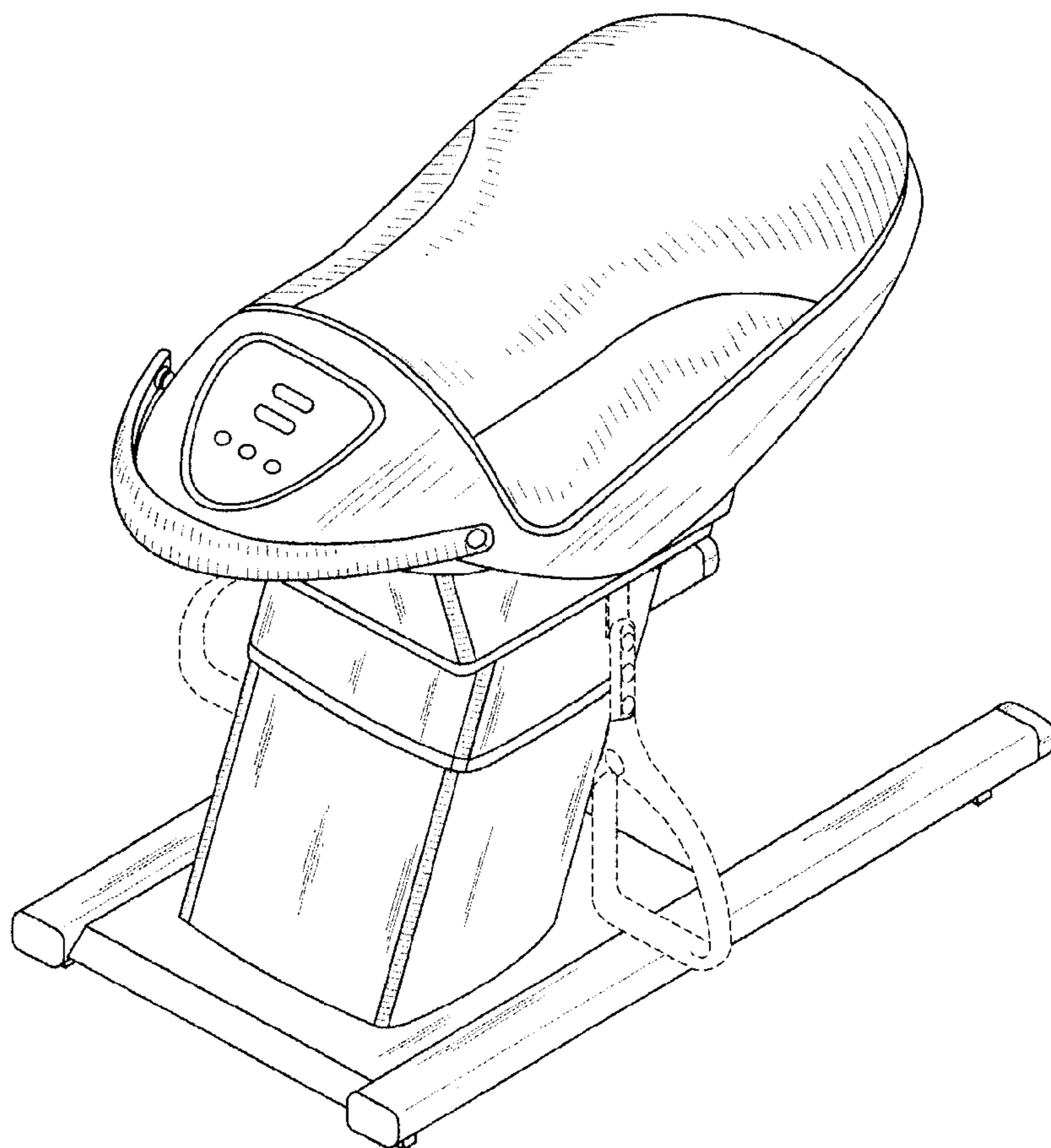


FIG. 8