

US00D507309S

(12) **United States Design Patent**  
**Nakase**

(10) **Patent No.:** **US D507,309 S**  
(45) **Date of Patent:** **\*\* Jul. 12, 2005**

(54) **MONSTER TOY**  
(75) **Inventor:** **Takashi Nakase, Tokyo (JP)**  
(73) **Assignee:** **Tomy Company, Ltd., Tokyo (JP)**  
(\*\*) **Term:** **14 Years**

D298,561 \* 11/1988 Kitamura ..... D21/584  
D307,778 \* 5/1990 Shinohara ..... D21/584  
D483,816 \* 12/2003 Nakase ..... D21/578  
D484,196 \* 12/2003 Nakase ..... D21/578

\* cited by examiner

*Primary Examiner*—Sandra L. Morris  
(74) *Attorney, Agent, or Firm*—Staas & Halsey LLP

(21) **Appl. No.:** **29/186,335**  
(22) **Filed:** **Jul. 15, 2003**

(57) **CLAIM**

The ornamental design for the monster toy, as shown.

(30) **Foreign Application Priority Data**

Jan. 15, 2003 (JP) ..... 2003-000710

**DESCRIPTION**

(51) **LOC (8) Cl.** ..... **21-01**  
(52) **U.S. Cl.** ..... **D21/578; D21/615**  
(58) **Field of Search** ..... D11/158, 162;  
D21/576, 578–585, 615; 446/71–72, 97,  
102, 316–317, 368

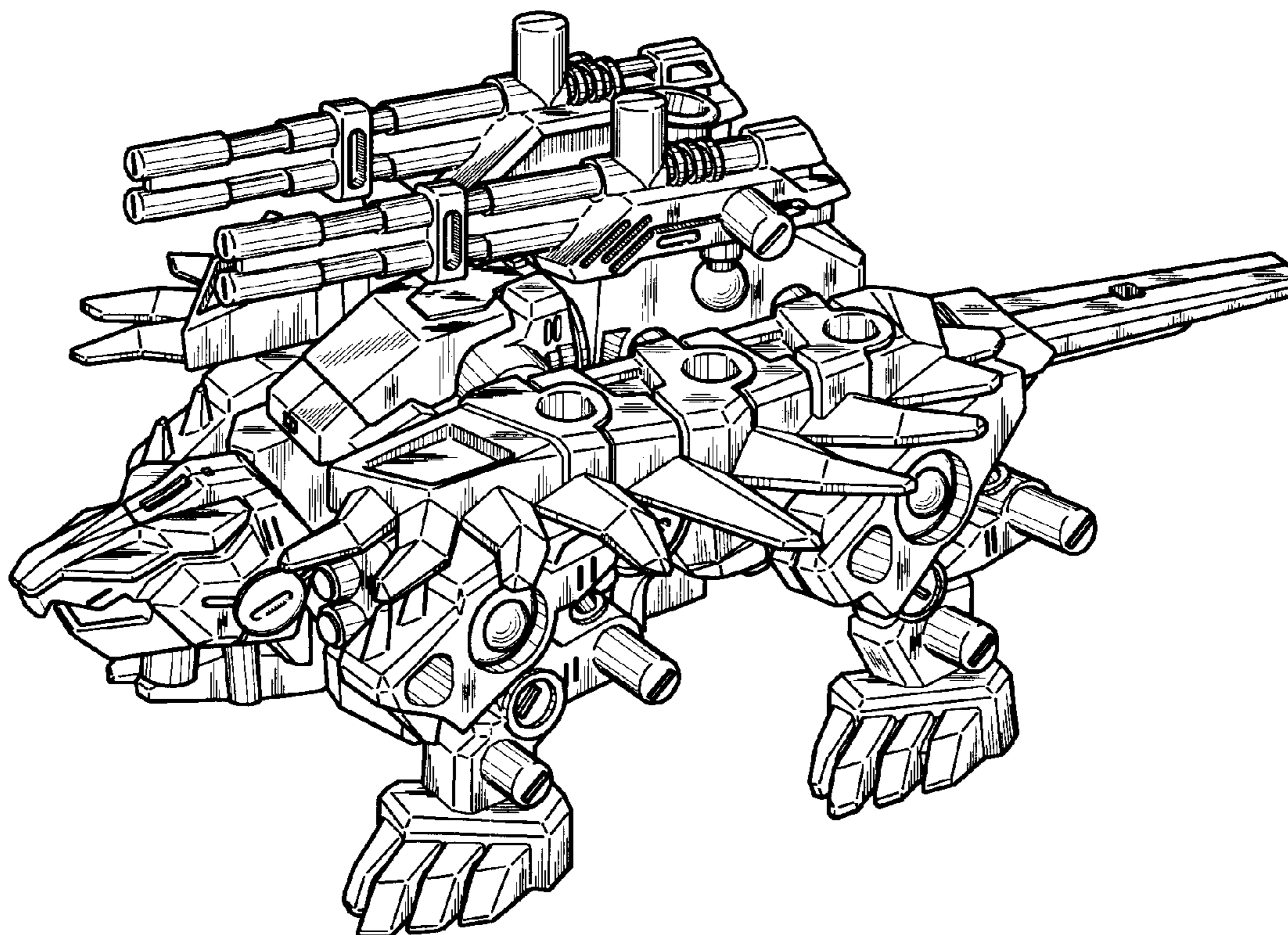
FIG. 1 is a front perspective view of a monster toy, showing my new design;  
FIG. 2 is a front elevational view thereof;  
FIG. 3 is a rear elevational view thereof;  
FIG. 4 is a left side view thereof;  
FIG. 5 is a right side view thereof;  
FIG. 6 is a top plan view thereof; and,  
FIG. 7 is a bottom plan view thereof.

(56) **References Cited**

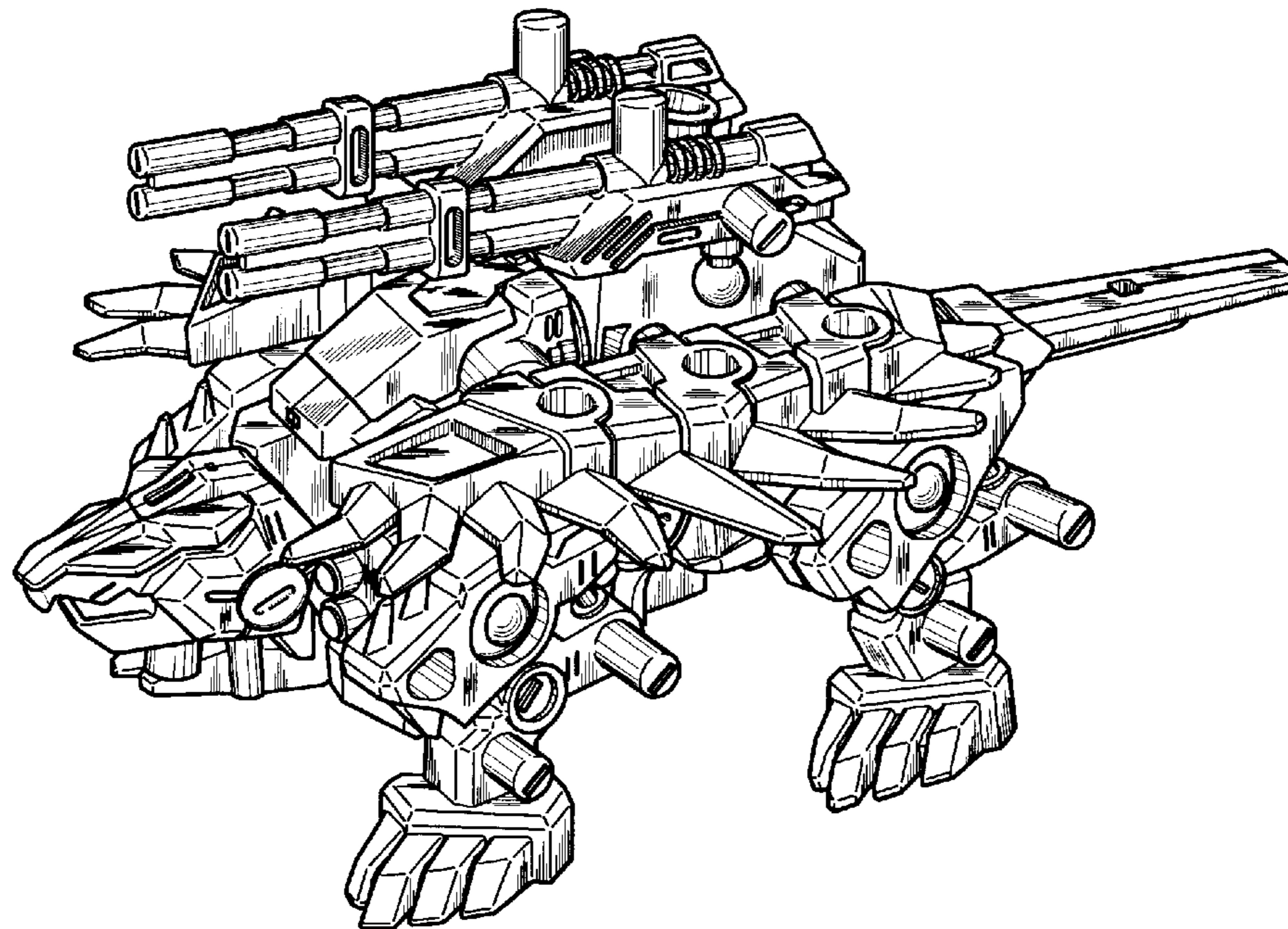
**U.S. PATENT DOCUMENTS**

D298,559 \* 11/1988 Kitamura ..... D21/584

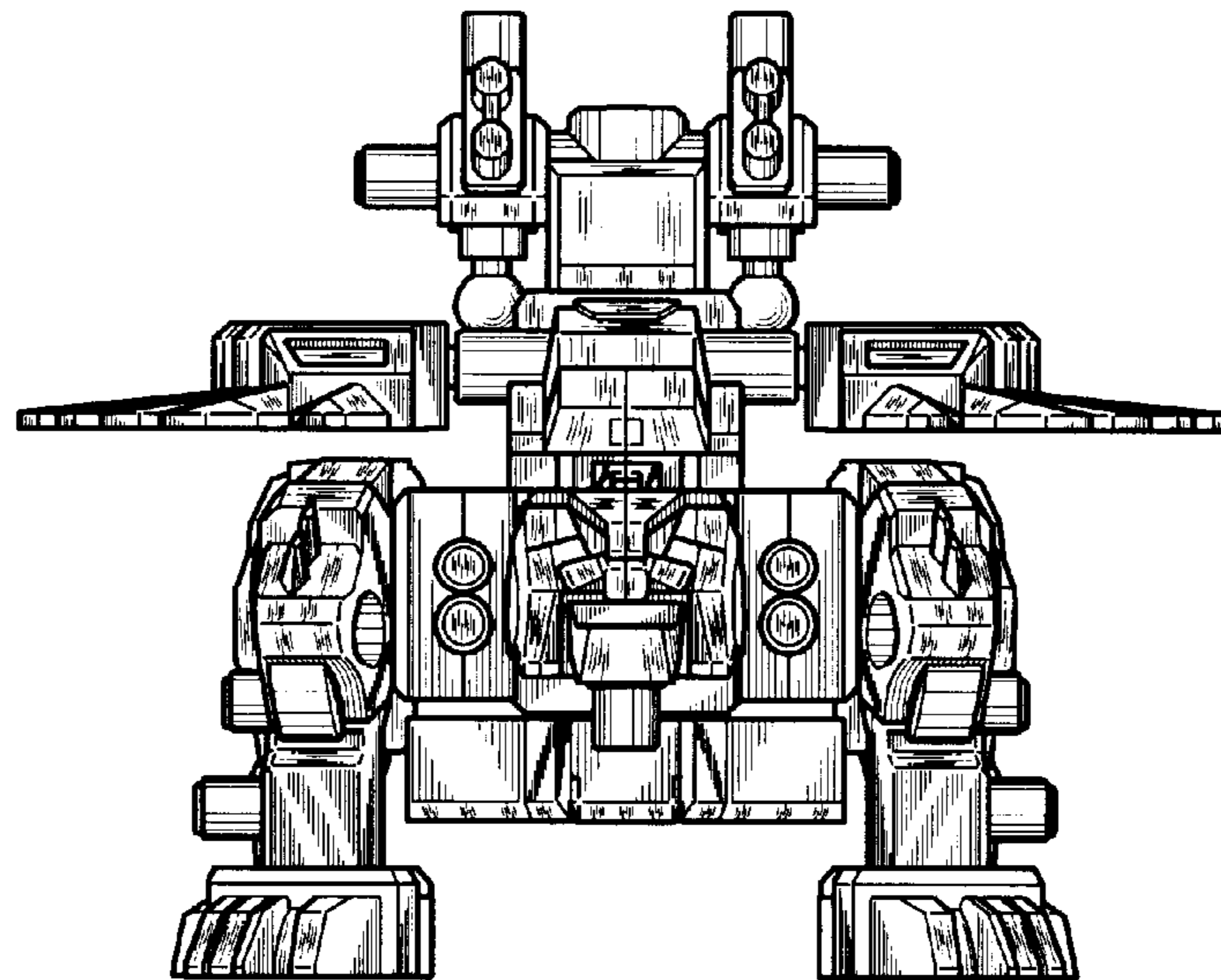
**1 Claim, 4 Drawing Sheets**



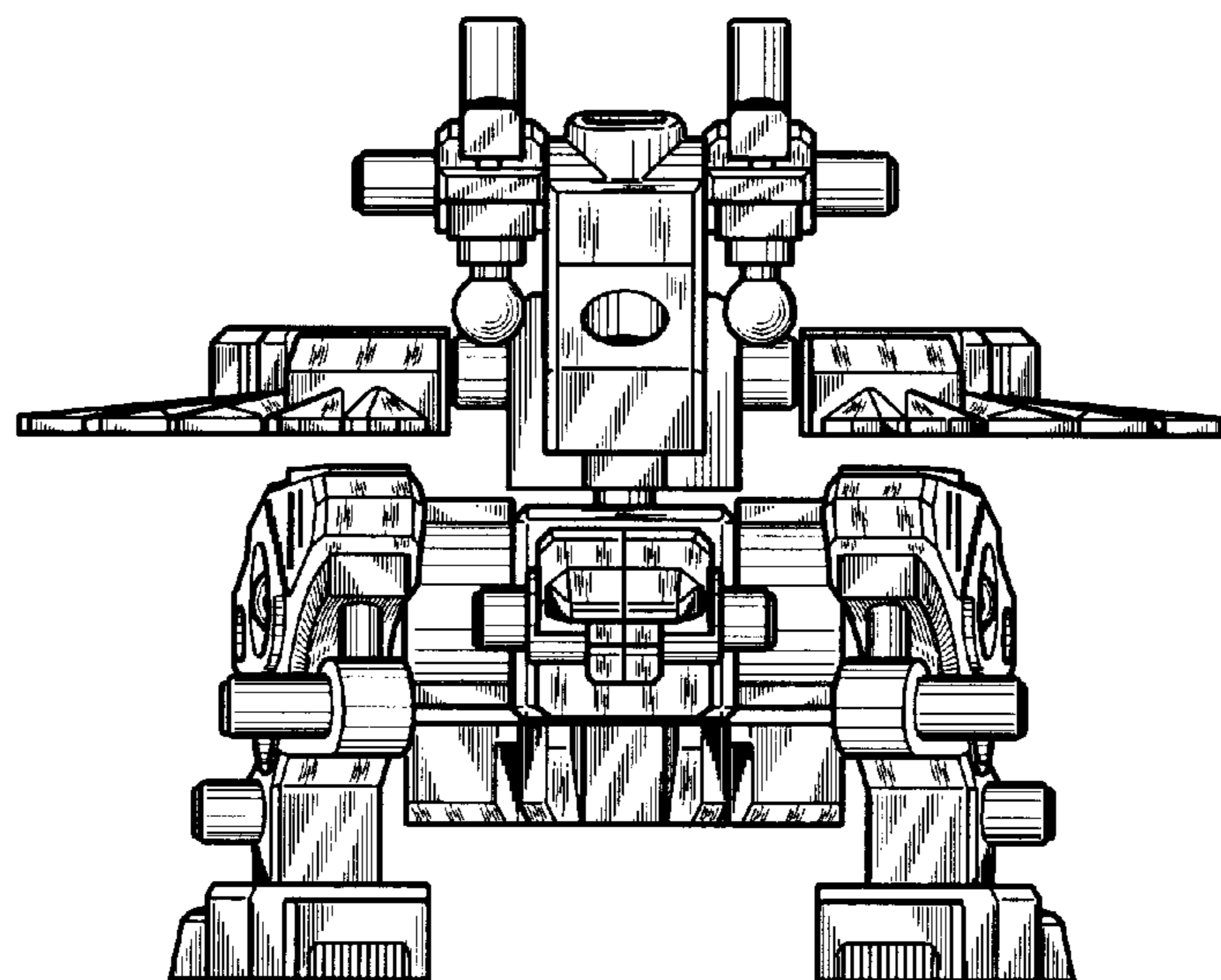
***FIG. 1***



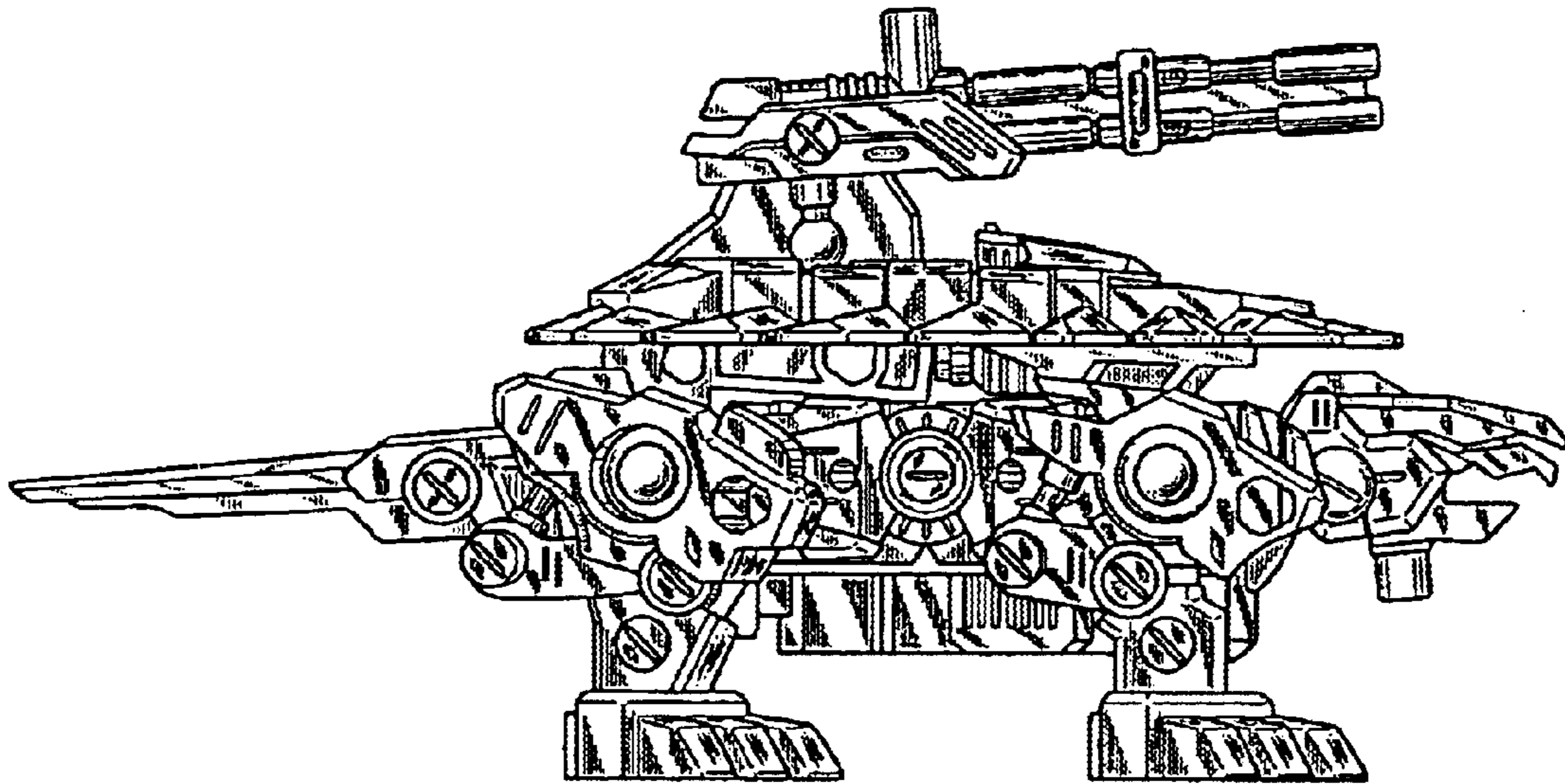
*FIG. 2*



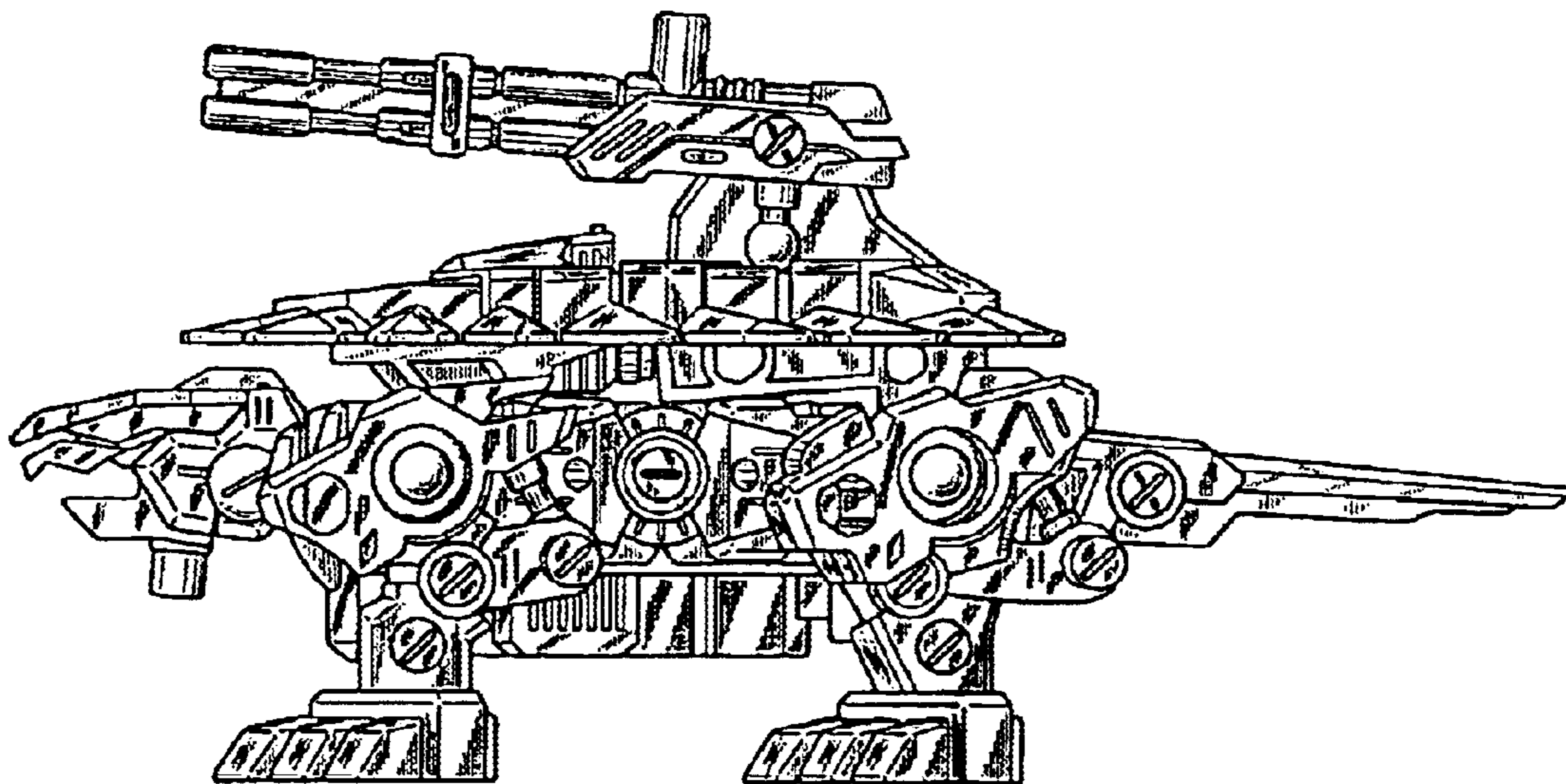
*FIG. 3*



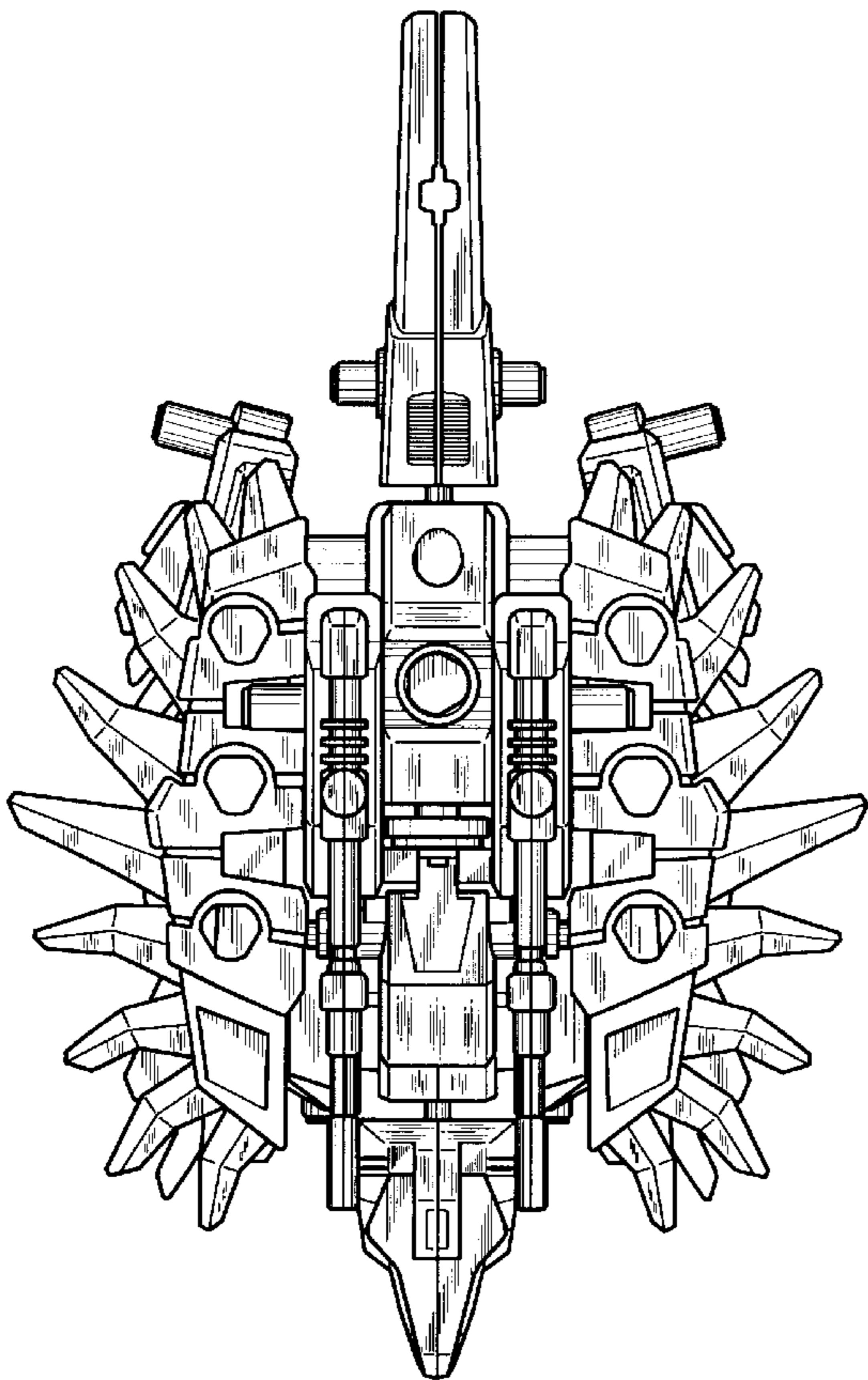
*FIG.4*



*FIG.5*



**FIG.6**



**FIG.7**

