

US00D507308S

(12) **United States Design Patent**  
**Tabor et al.**

(10) **Patent No.: US D507,308 S**  
(45) **Date of Patent: \*\* Jul. 12, 2005**

(54) **KITE**  
(76) Inventors: **Don Tabor**, 556 Florence St., Imperial Beach, CA (US) 91932; **Francis Alonso**, 30765 Pacific Coast Hwy., Malibu, CA (US) 90265  
(\*\*) Term: **14 Years**

4,762,511 A \* 8/1988 Lee et al. .... 446/6  
4,764,146 A \* 8/1988 Auer et al. .... 446/279  
4,913,375 A \* 4/1990 Fitzpatrick ..... 244/2  
4,981,273 A \* 1/1991 Petteys ..... 244/153 R  
5,120,254 A \* 6/1992 Daniels et al. .... 446/466  
6,488,563 B1 \* 12/2002 Isaacson ..... 446/450  
D492,969 S \* 7/2004 Tabor ..... D21/438  
6,786,450 B1 \* 9/2004 Einstein ..... 244/2

\* cited by examiner

(21) Appl. No.: **29/202,485**  
(22) Filed: **Mar. 31, 2004**

*Primary Examiner*—Catherine Tuttle  
(74) *Attorney, Agent, or Firm*—Louis J. Bachand

(51) **LOC (8) Cl.** ..... **21-01**  
(52) **U.S. Cl.** ..... **D21/445; D21/533; D21/552**  
(58) **Field of Search** ..... D21/436–454,  
D21/424, 425, 427, 430, 433, 434, 533,  
537, 548, 552, 560; D12/321; 446/34, 61–68,  
88, 431, 444, 465, 469–471; 244/153 R,  
154, 155 R, 153 A, 900–903, 2

(57) **CLAIM**

We claim the ornamental design for a kite, as shown and described.

(56) **References Cited**

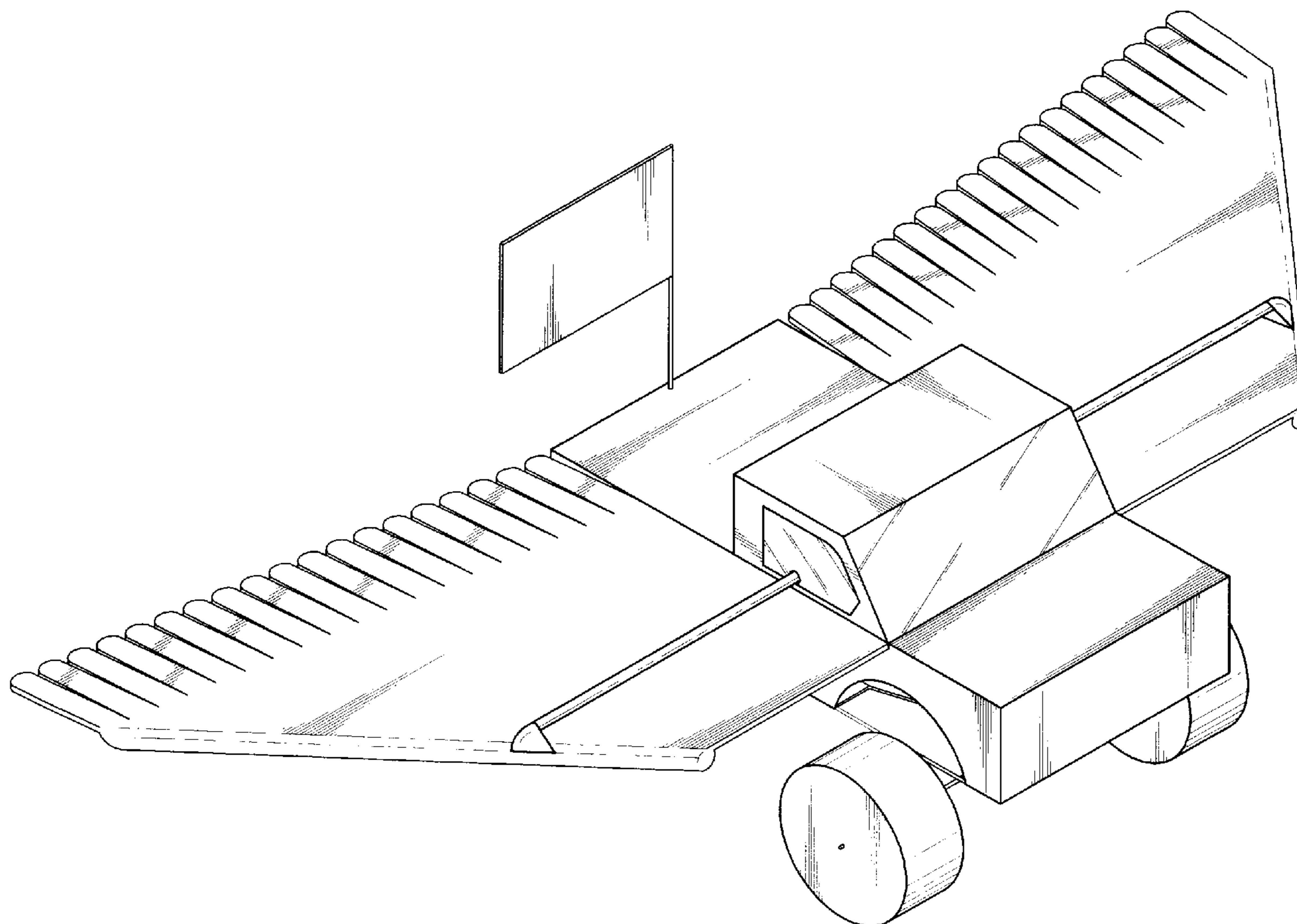
**U.S. PATENT DOCUMENTS**

2,744,702 A \* 5/1956 Briggs ..... 244/154  
3,090,581 A \* 5/1963 Einarsson ..... 244/2  
3,534,932 A \* 10/1970 Phillips et al. .... 244/153 R  
4,459,776 A \* 7/1984 Jaworski et al. .... 446/462

**DESCRIPTION**

FIG. 1 is a perspective view of my kite design;  
FIG. 2 is a right side elevational view thereof;  
FIG. 3 is a left side elevational view thereof;  
FIG. 4 is a top plan view thereof;  
FIG. 5 is a bottom plan view thereof;  
FIG. 6 is front elevational view thereof; and,  
FIG. 7 is rear elevational view thereof.

**1 Claim, 6 Drawing Sheets**



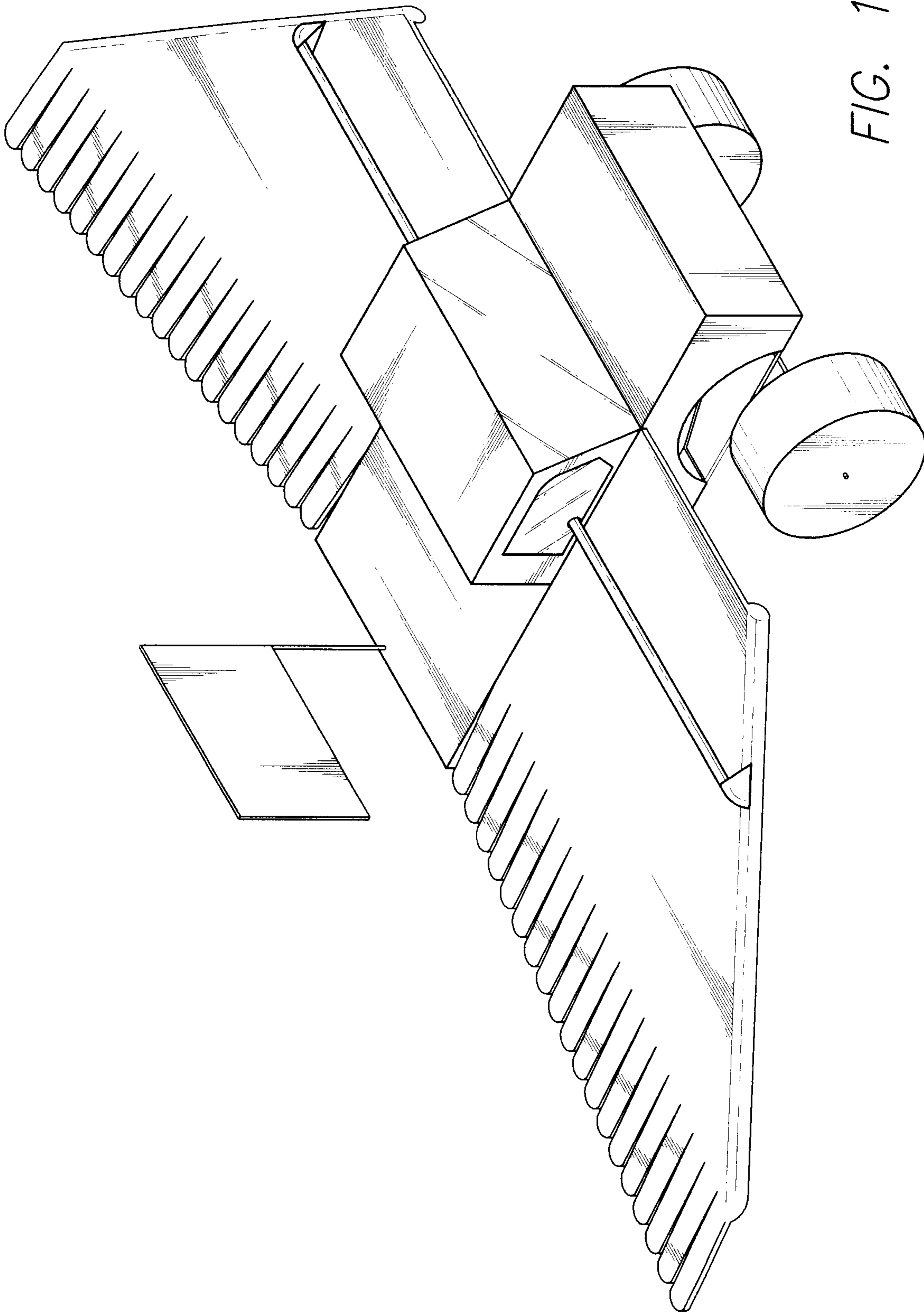


FIG. 1

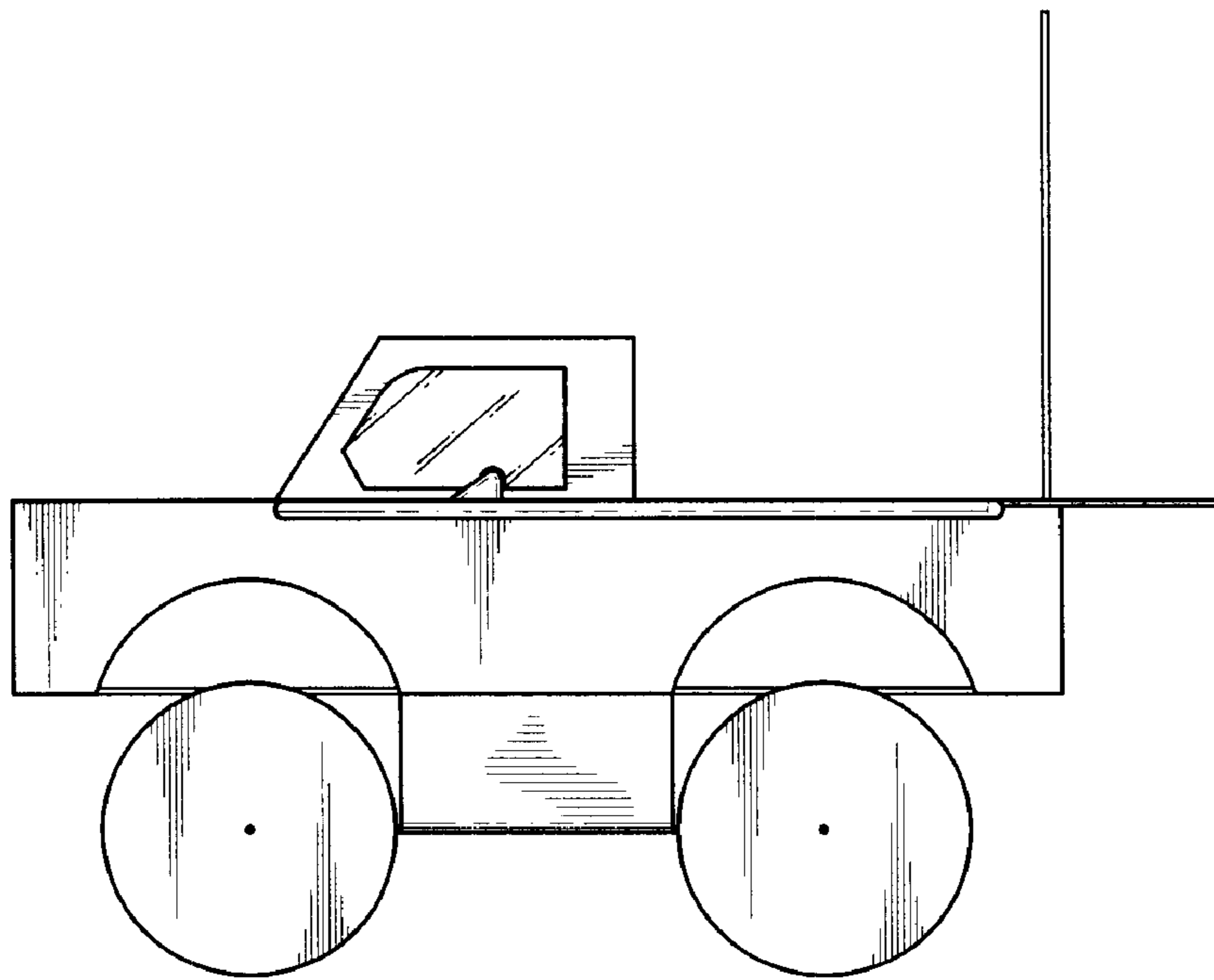


FIG. 2

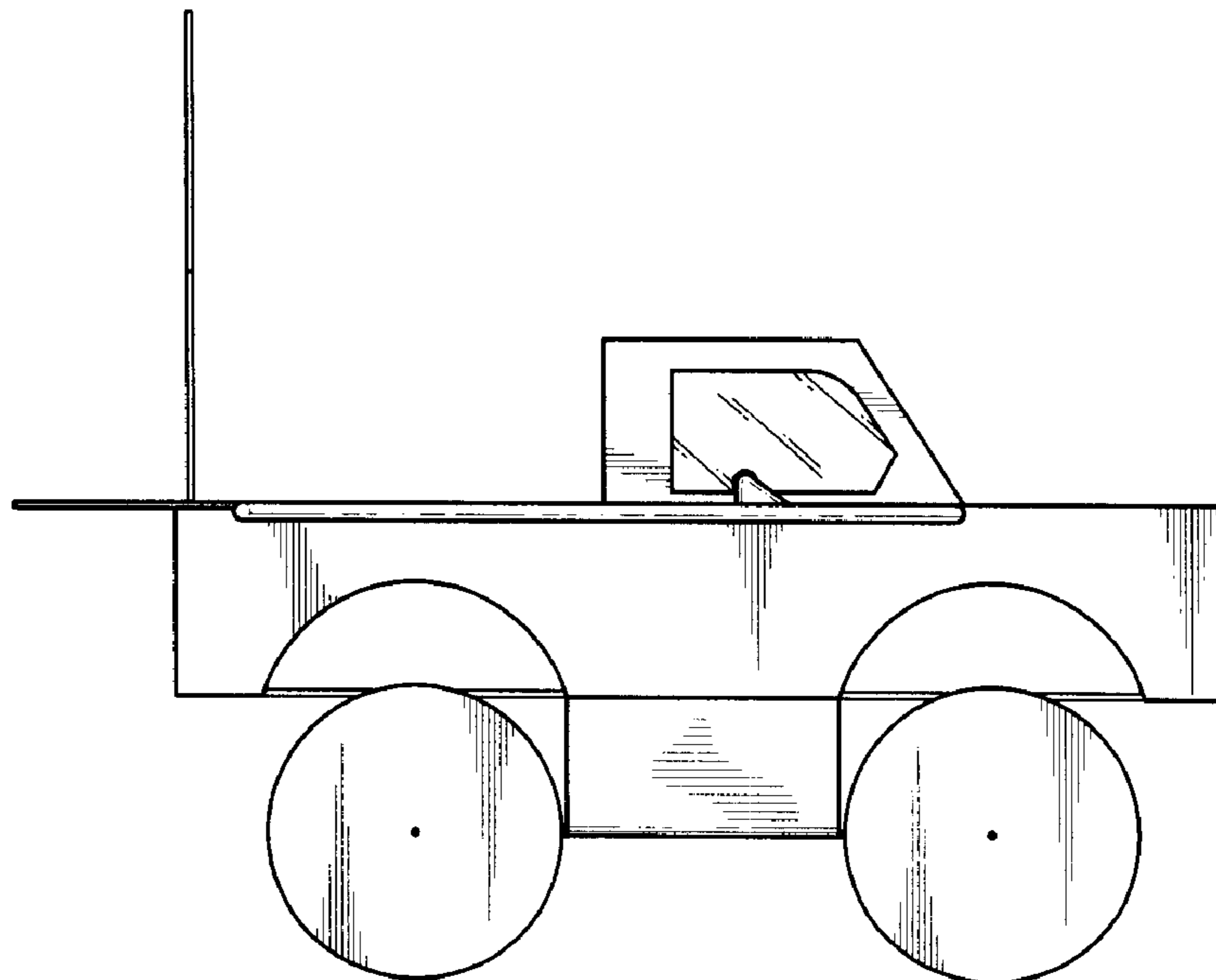


FIG. 3

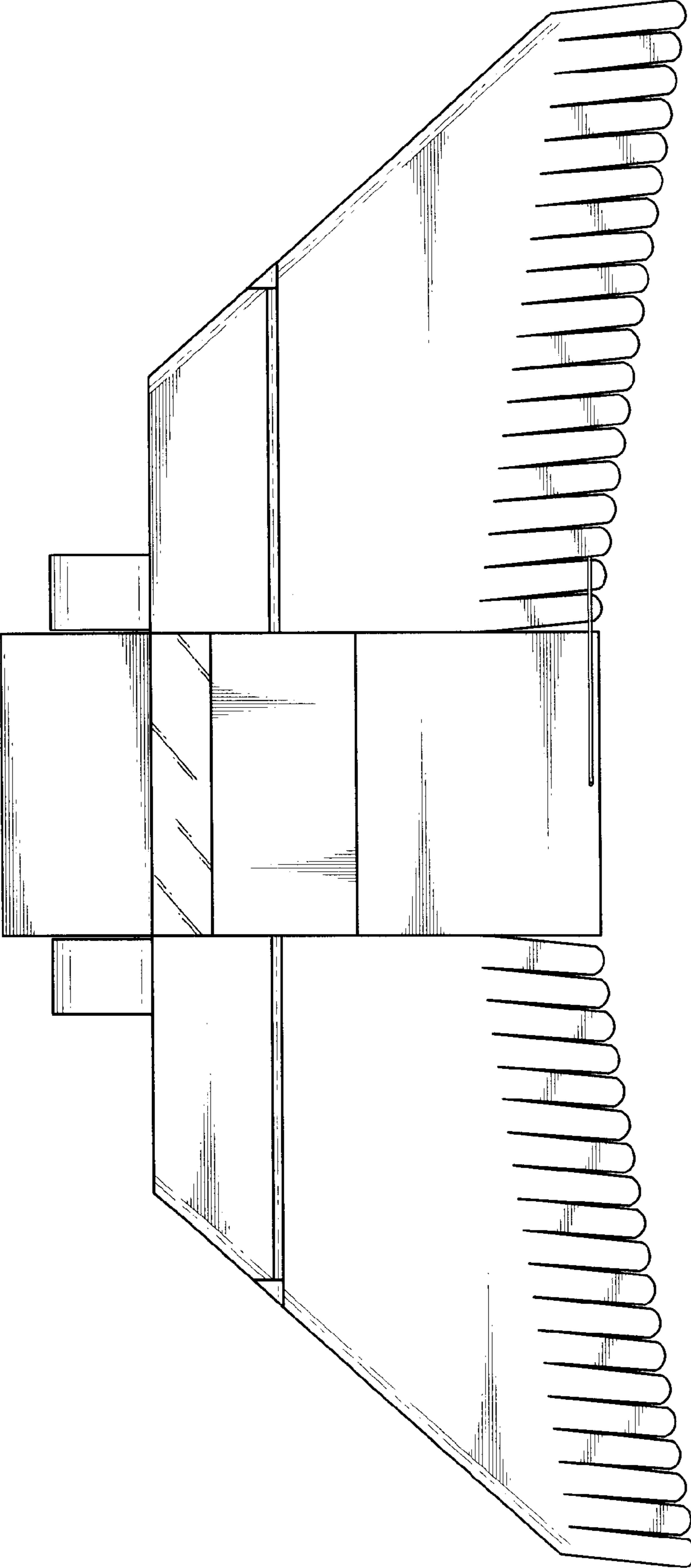


FIG. 4



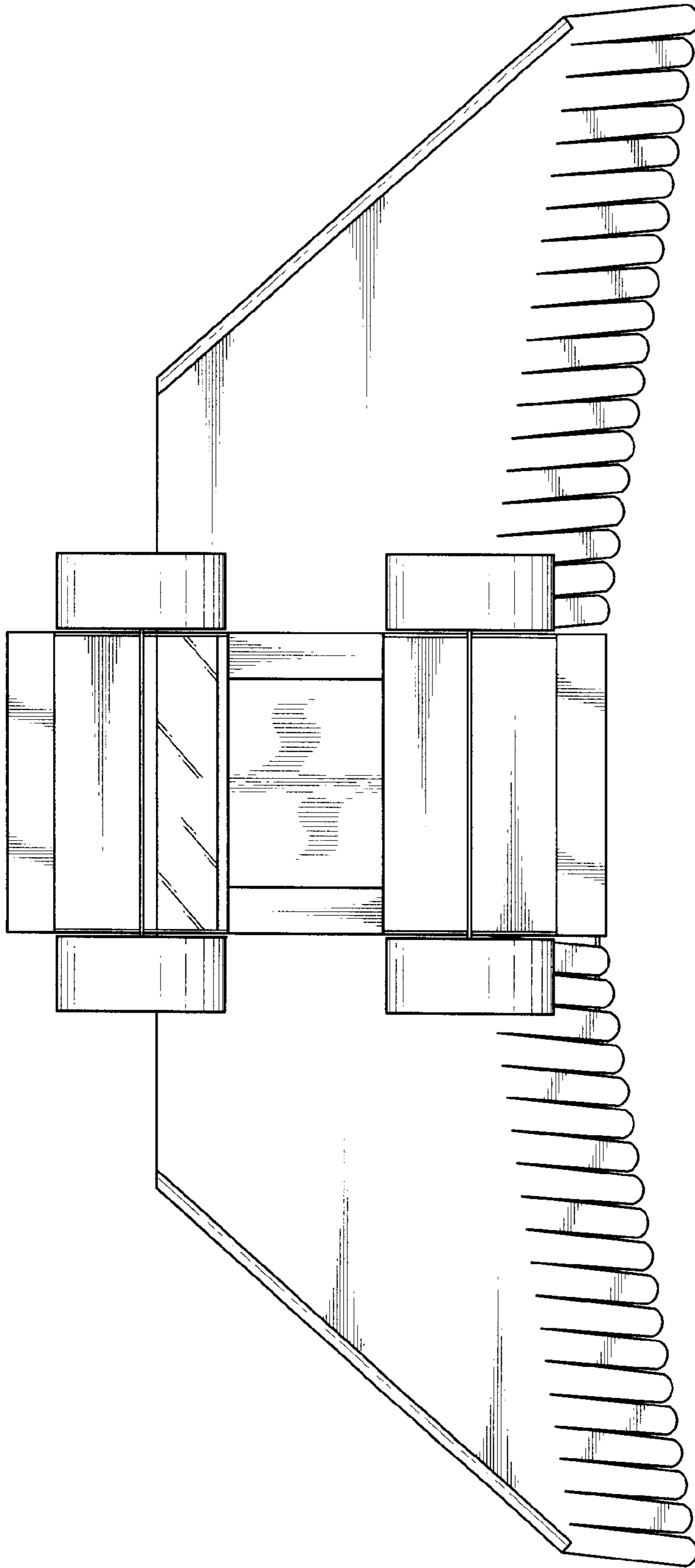


FIG. 5

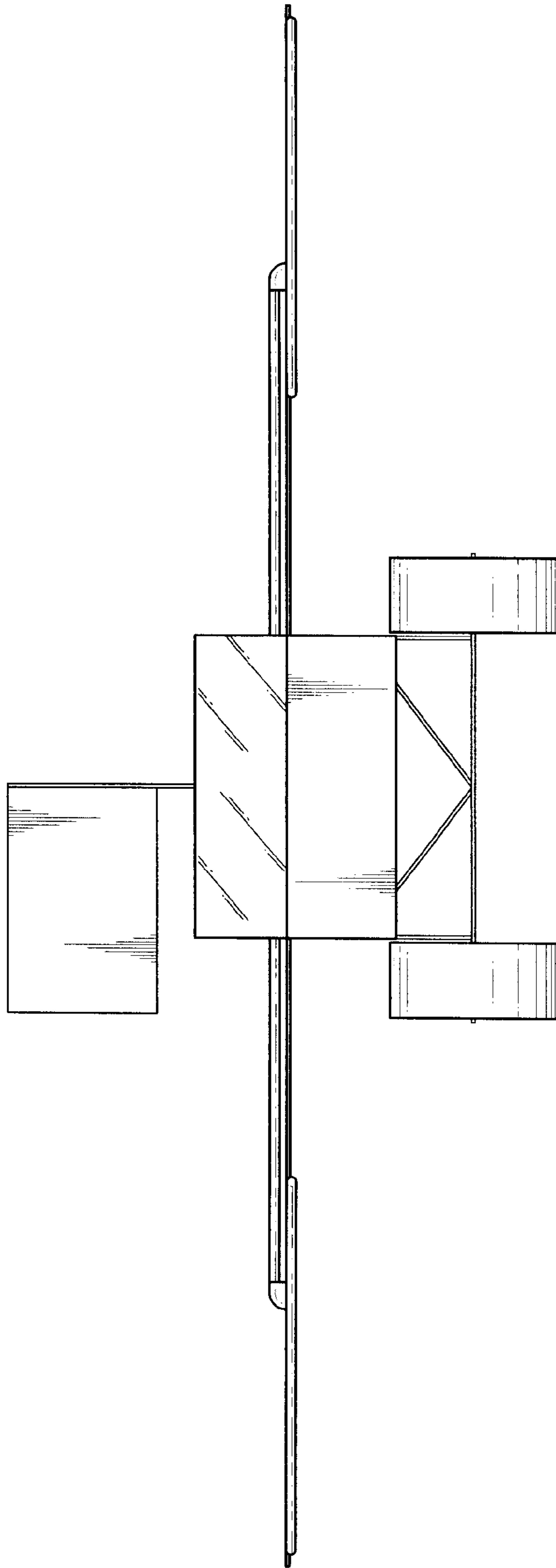


FIG. 6

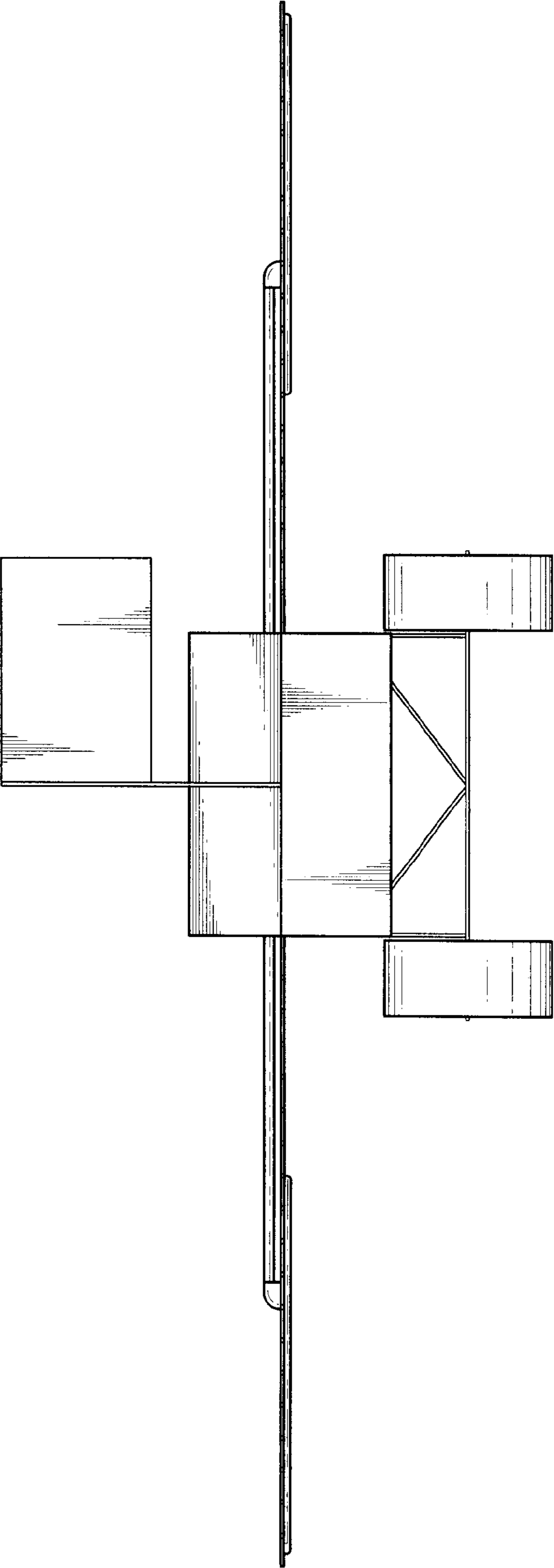


FIG. 7