

US00D507300S

(12) **United States Design Patent**
Qiu

(10) **Patent No.:** **US D507,300 S**
(45) **Date of Patent:** **** Jul. 12, 2005**

(54) **PEN**
(75) **Inventor:** **Zhiming Qiu**, Ningbo (CN)
(73) **Assignee:** **Ningbo Beifa Group Co., Ltd.**, Ningbo (CN)
(**) **Term:** **14 Years**

(21) **Appl. No.:** **29/216,593**
(22) **Filed:** **Nov. 5, 2004**

(30) **Foreign Application Priority Data**
Jul. 1, 2004 (CN) 2004301505091

(51) **LOC (8) Cl.** **19-06**
(52) **U.S. Cl.** **D19/50; D19/55; D19/56**
(58) **Field of Search** D19/35, 36, 41-51,
D19/53-58, 81-85; 401/6, 7, 88, 99-102,
103-106, 107-110, 111-117, 209; 24/10 R,
11 R, 11 P, 11 PP

(56) **References Cited**
U.S. PATENT DOCUMENTS

D138,825 S * 9/1944 Waldinger D19/50
6,273,627 B1 * 8/2001 Mittersinker et al. 401/117

D472,579 S * 4/2003 Chiang D19/51
D477,025 S * 7/2003 Morrow D19/51
D485,576 S * 1/2004 Burden et al. D19/51
D490,108 S * 5/2004 Moon D19/50
D492,723 S * 7/2004 Kuo Chiang D19/51
D498,260 S * 11/2004 Burden et al. D19/51

* cited by examiner

Primary Examiner—Martie K. Holtje
(74) *Attorney, Agent, or Firm*—Christensen O'Connor Johnson Kindness PLLC

(57) **CLAIM**

The ornamental design for a pen, as shown and described.

DESCRIPTION

FIG. 1 is a front left perspective view of a pen showing my new design;
FIG. 2 is a right rear perspective view thereof;
FIG. 3 is a bottom plan view thereof;
FIG. 4 is a top plan view thereof;
FIG. 5 is a rear elevation view thereof;
FIG. 6 is a left side view thereof;
FIG. 7 is a front elevation view thereof; and,
FIG. 8 is a right side view thereof.

1 Claim, 4 Drawing Sheets

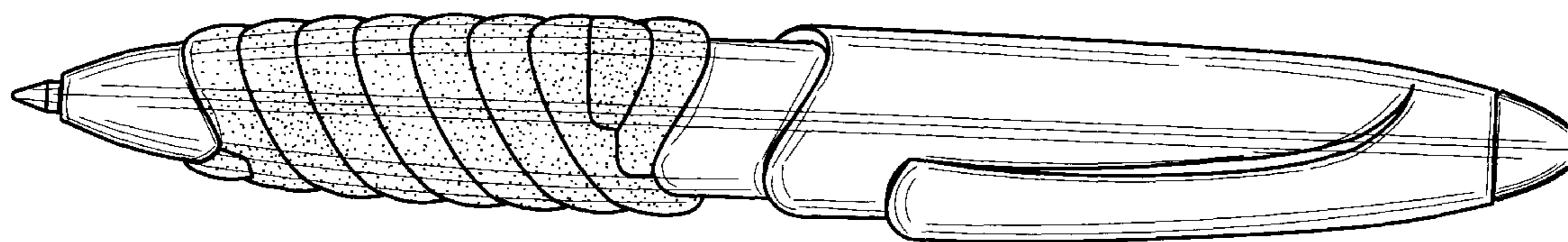


Fig. 1.

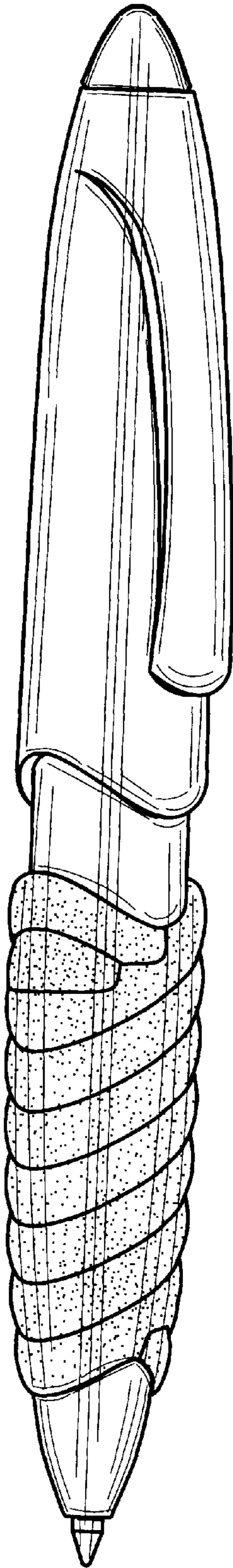


Fig. 2.

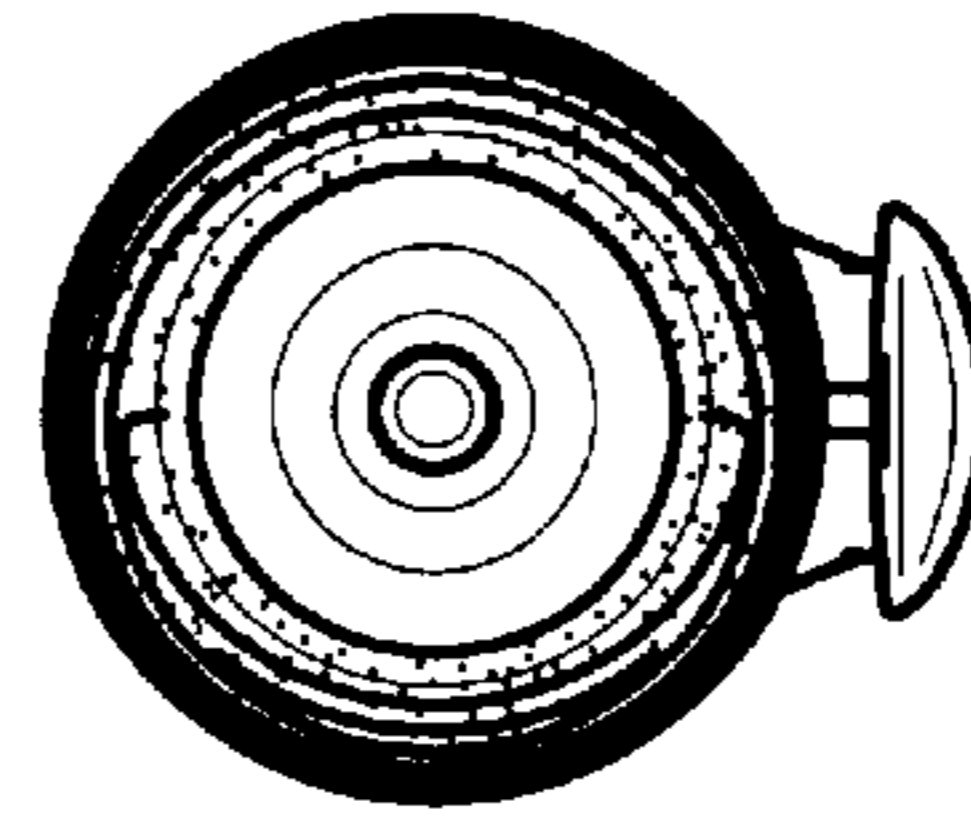
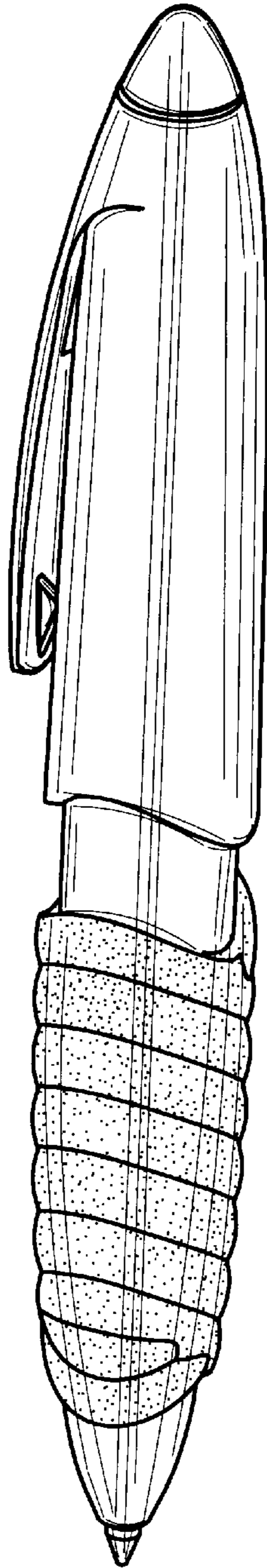


Fig. 3.

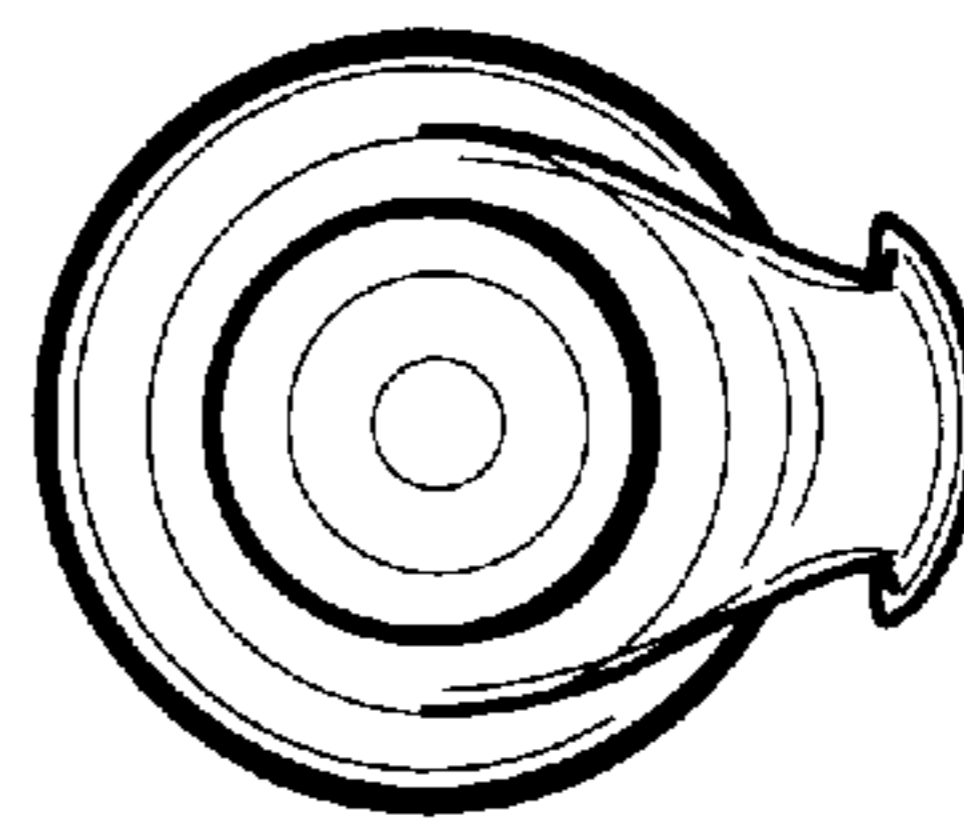


Fig. 4.

Fig. 5.

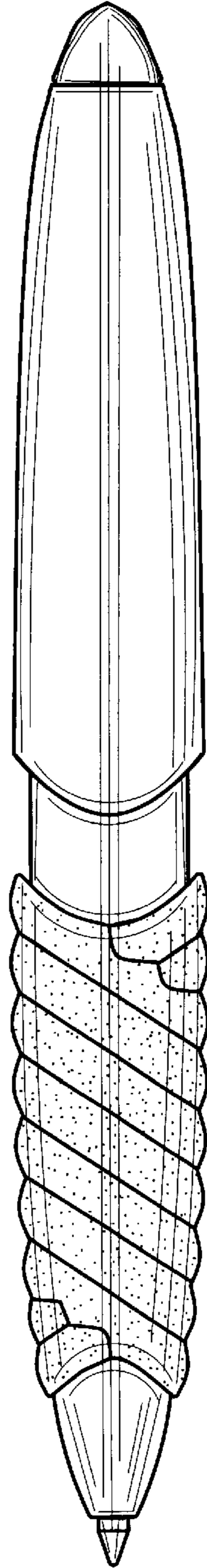


Fig. 6.

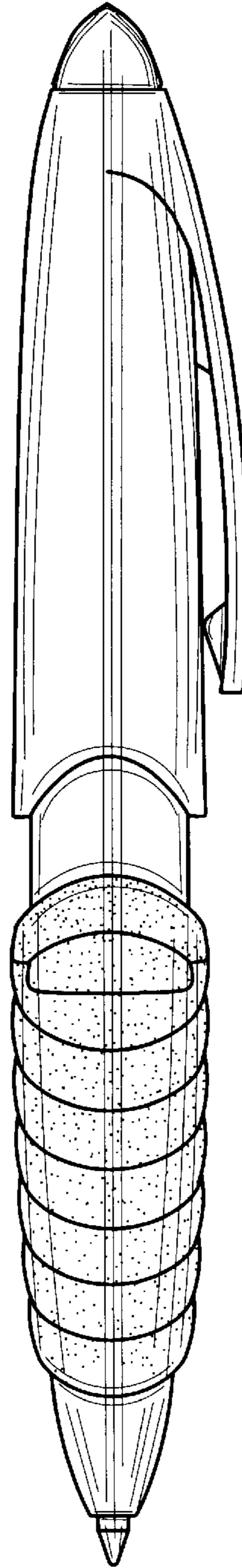


Fig. 7.

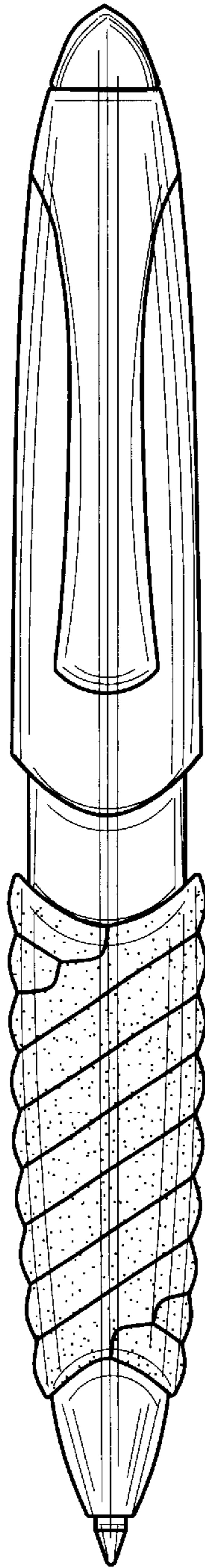


Fig. 8.

