

US00D507297S

(12) **United States Design Patent**
Sasaki et al.

(10) **Patent No.:** **US D507,297 S**

(45) **Date of Patent:** **** Jul. 12, 2005**

(54) **INK CARTRIDGE**

D477,020 S * 7/2003 Seino D18/56

(75) Inventors: **Toyonori Sasaki**, Anjyo (JP);
Mitsuharu Hattori, Nagoya (JP);
Toshiya Inada, Nagoya (JP); **Makoto Yamada**, Gifu (JP)

* cited by examiner

Primary Examiner—Cathy Anne MacCormac
(74) *Attorney, Agent, or Firm*—McKenna Long & Aldridge LLP

(73) Assignee: **Brothers Industries, Ltd.**, Aichi-ken (JP)

(57) **CLAIM**

The ornamental design for an ink cartridge, as shown and described.

(**) Term: **14 Years**

(21) Appl. No.: **29/174,536**

(22) Filed: **Jan. 22, 2003**

(30) **Foreign Application Priority Data**

Jul. 23, 2002 (JP) 2002-019763

(51) **LOC (8) Cl.** **18-02**

(52) **U.S. Cl.** **D18/56**; 347/86

(58) **Field of Search** D18/56, 40, 43;
347/86, 87

(56) **References Cited**

U.S. PATENT DOCUMENTS

4,673,955 A	*	6/1987	Ameyama et al.	347/86
D390,869 S	*	2/1998	Tashiro et al.	D18/56
D410,949 S	*	6/1999	Fowkes	D18/56
D425,553 S	*	5/2000	Gasvoda et al.	D18/56
D430,897 S	*	9/2000	Bishop et al.	D18/56
D432,567 S	*	10/2000	Gasvoda et al.	D18/56
D439,610 S	*	3/2001	Inoue	D18/56
D462,089 S	*	8/2002	Trafton et al.	D18/56
D466,925 S	*	12/2002	Ishizawa et al.	D18/56
D475,402 S	*	6/2003	Nakayama et al.	D18/56

DESCRIPTION

FIG. 1 is a front elevation view of our new design;
 FIG. 2 is a top plan view thereof;
 FIG. 3 is a right plan view thereof;
 FIG. 4 is a left plan view thereof;
 FIG. 5 is a rear plan view thereof;
 FIG. 6 is a bottom plan view thereof;
 FIG. 7 is a bottom perspective view thereof;
 FIG. 8 is a top perspective view thereof;
 FIG. 9 is a cross-sectional view taken along line 9—9 on FIG. 6;
 FIG. 10 is a cross-sectional view taken along line 10—10 on FIG. 6;
 FIG. 11 is an enlarged cross-sectional view taken along line 11—11 on FIG. 6 ;
 FIG. 12 is a cross-sectional view taken along line 12—12 on FIG. 6 ;
 FIG. 13 is a cross-sectional view taken along line 13—13 on FIG. 6; and,
 FIG. 14 is an enlarged sectional view taken on line 14—14 on FIG. 6.

1 Claim, 5 Drawing Sheets

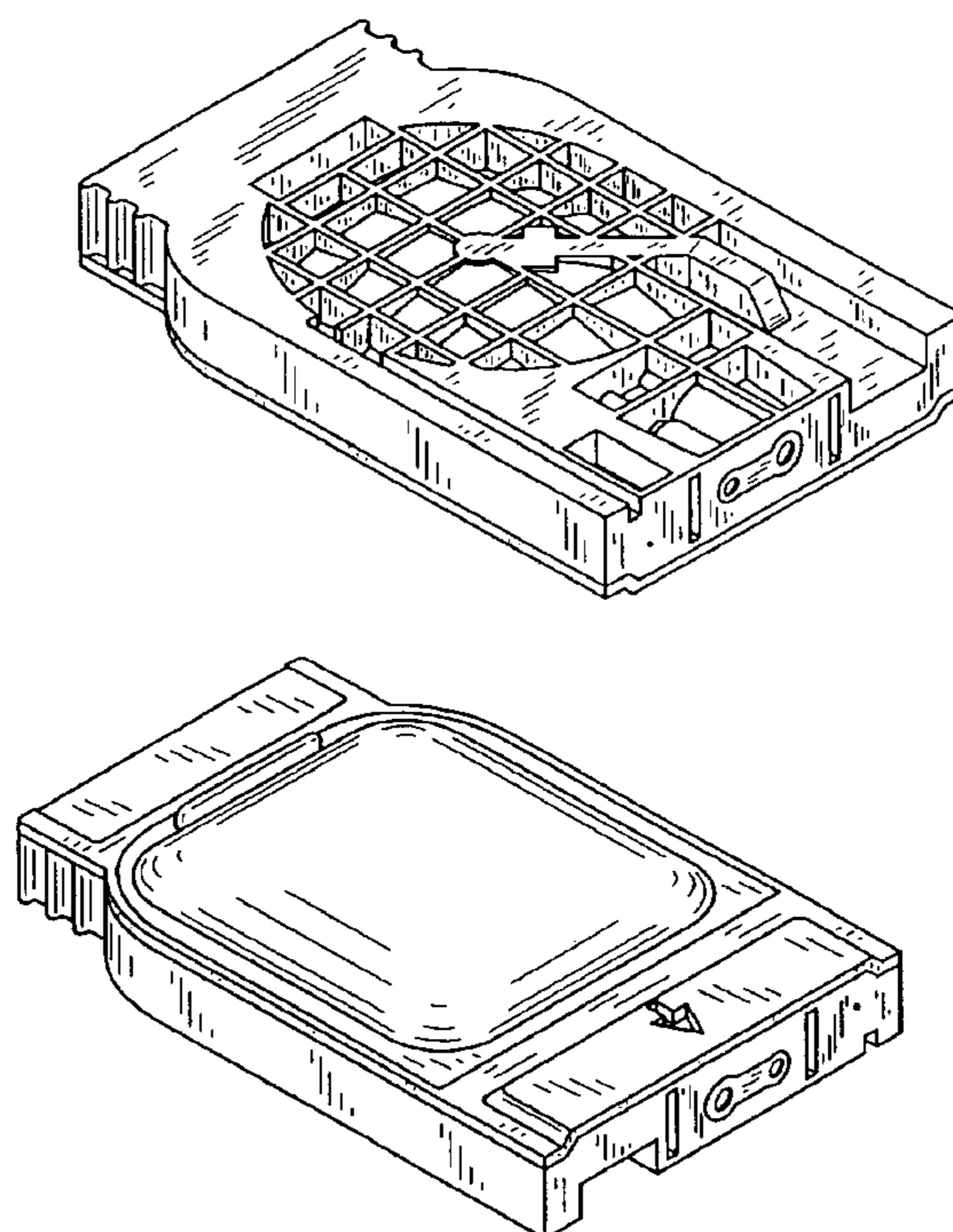


FIG. 1

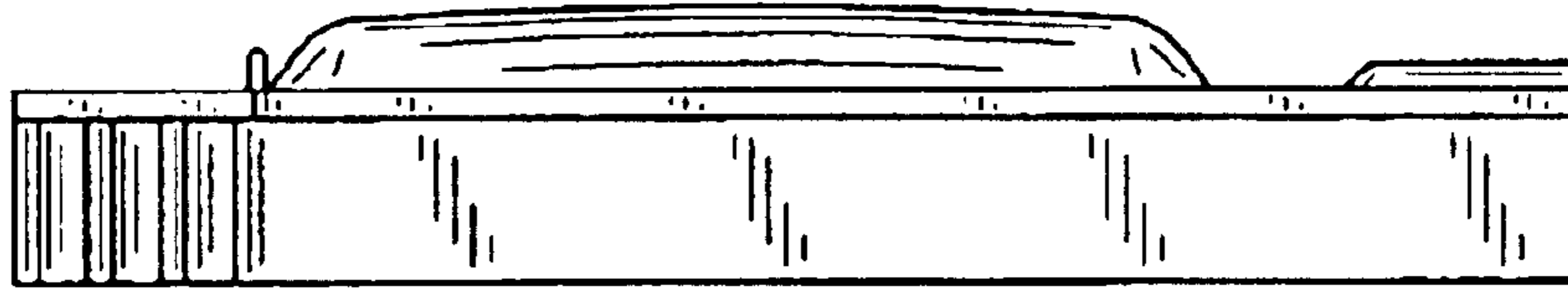


FIG. 2

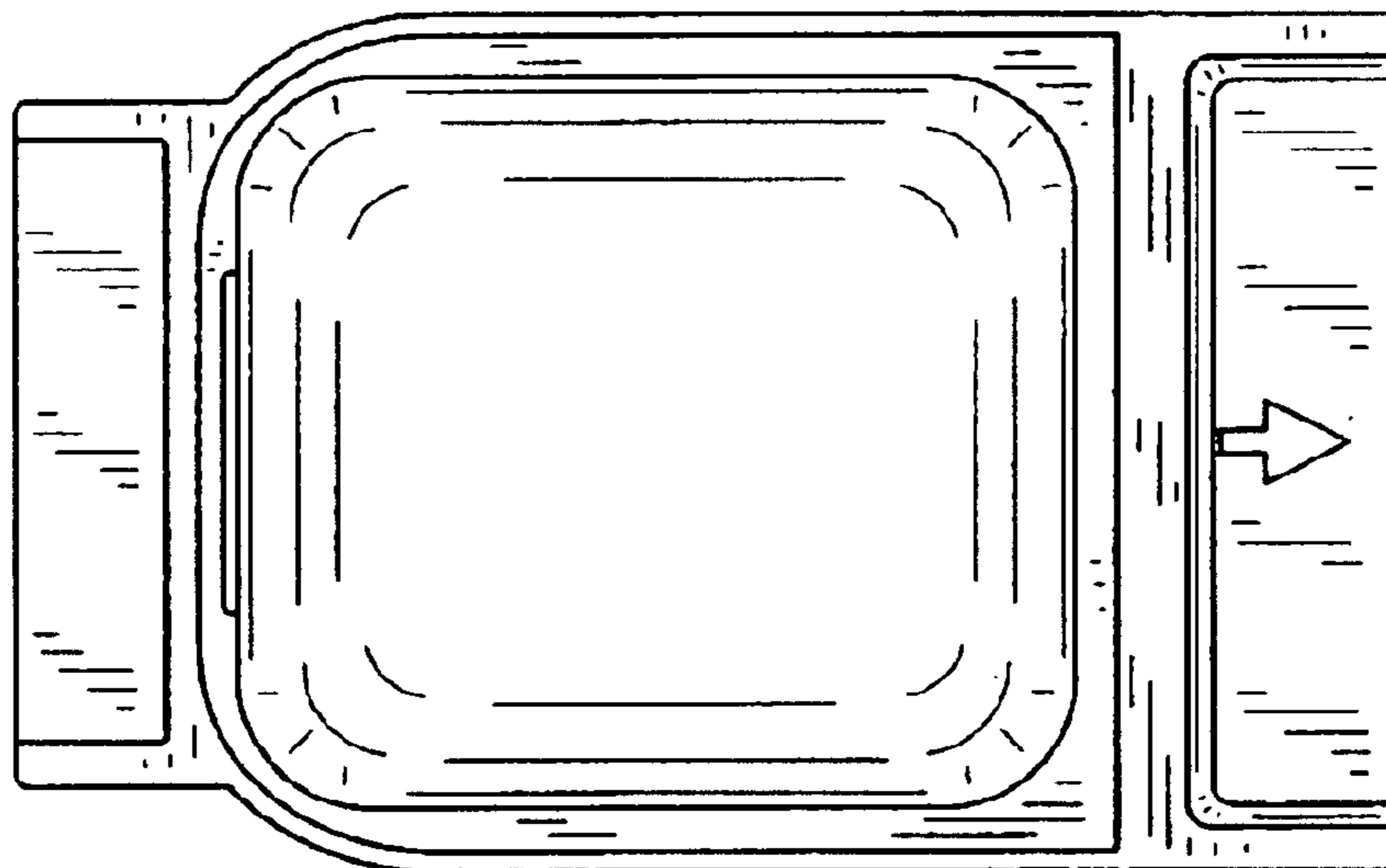


FIG. 3

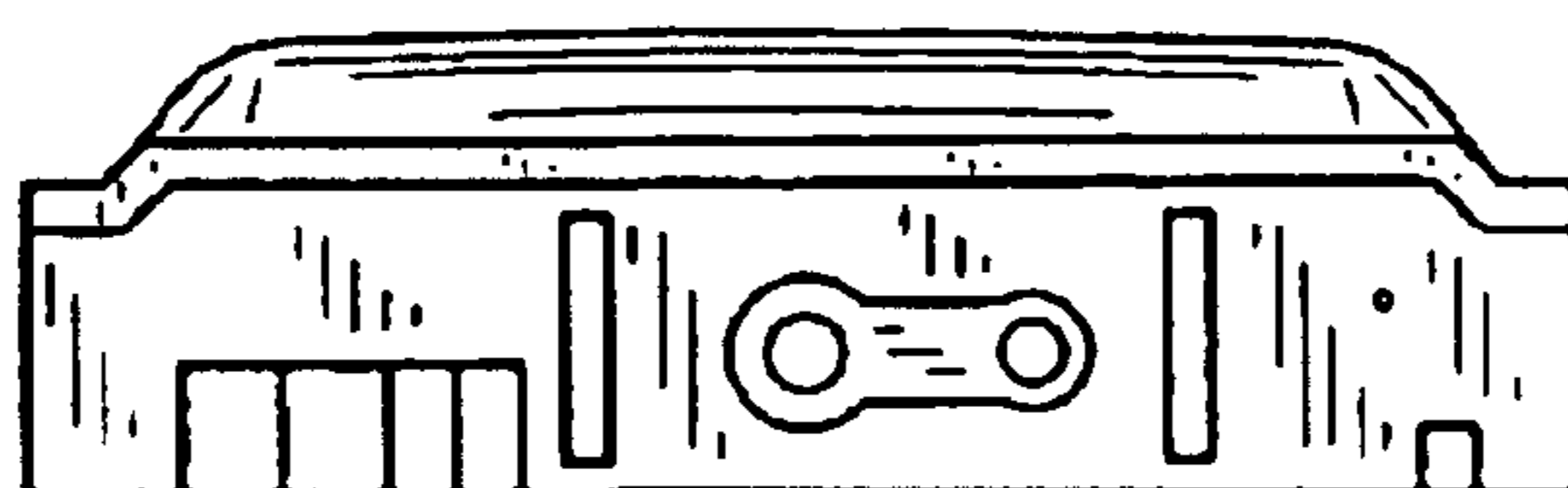


FIG. 4

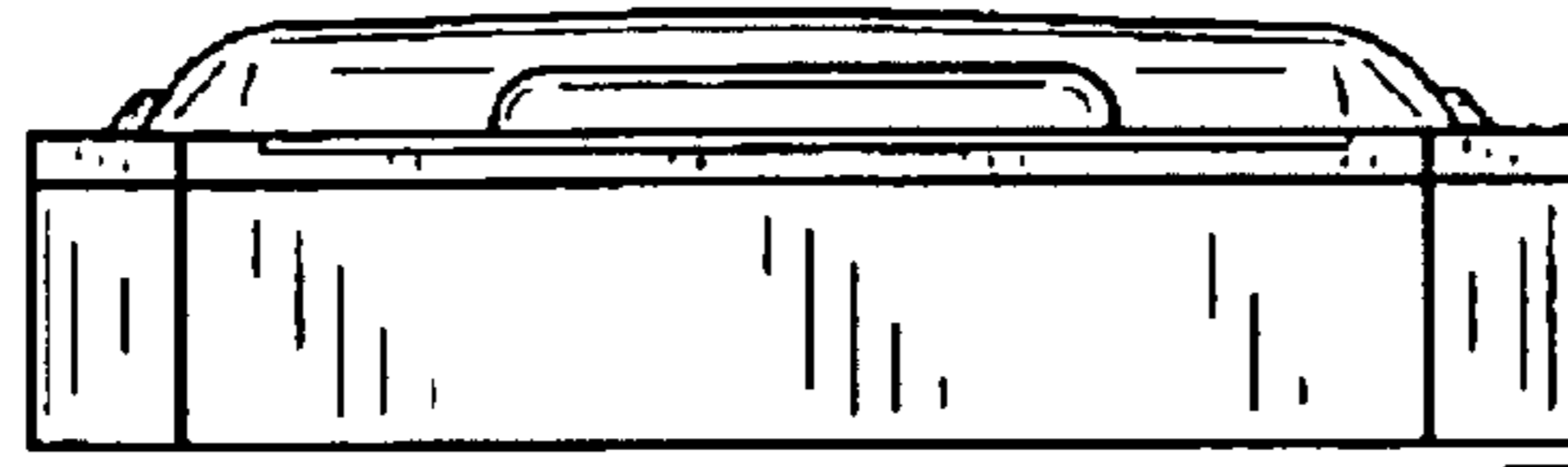


FIG. 5

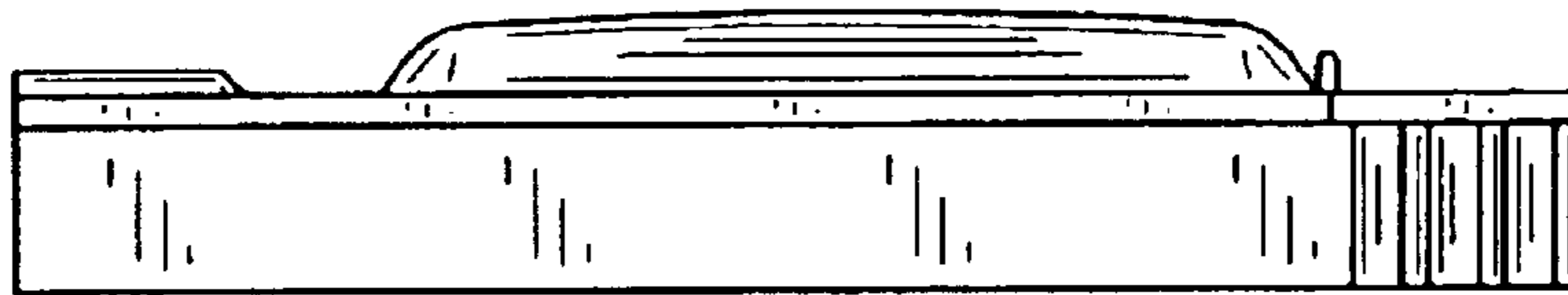


FIG. 6

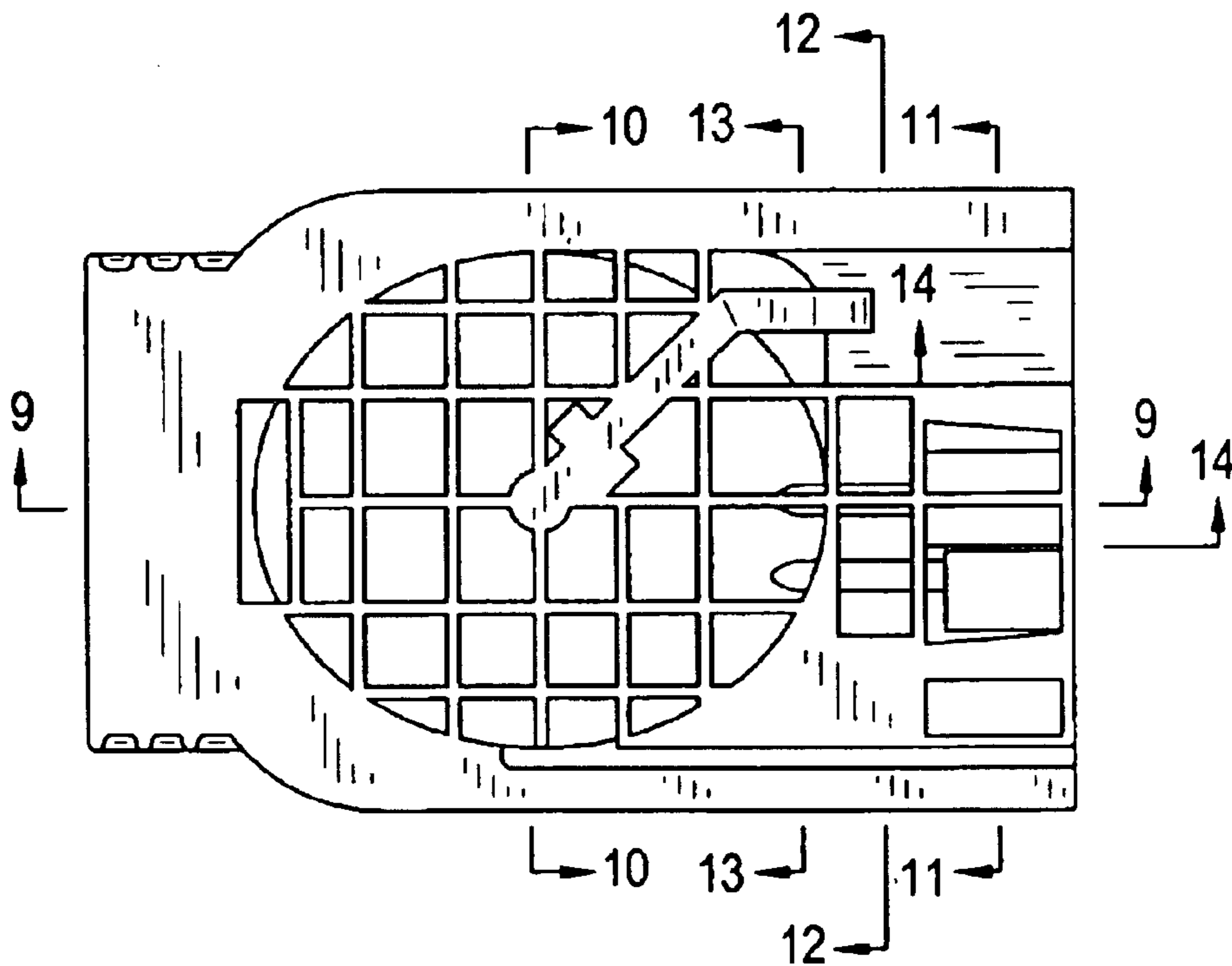


FIG. 7

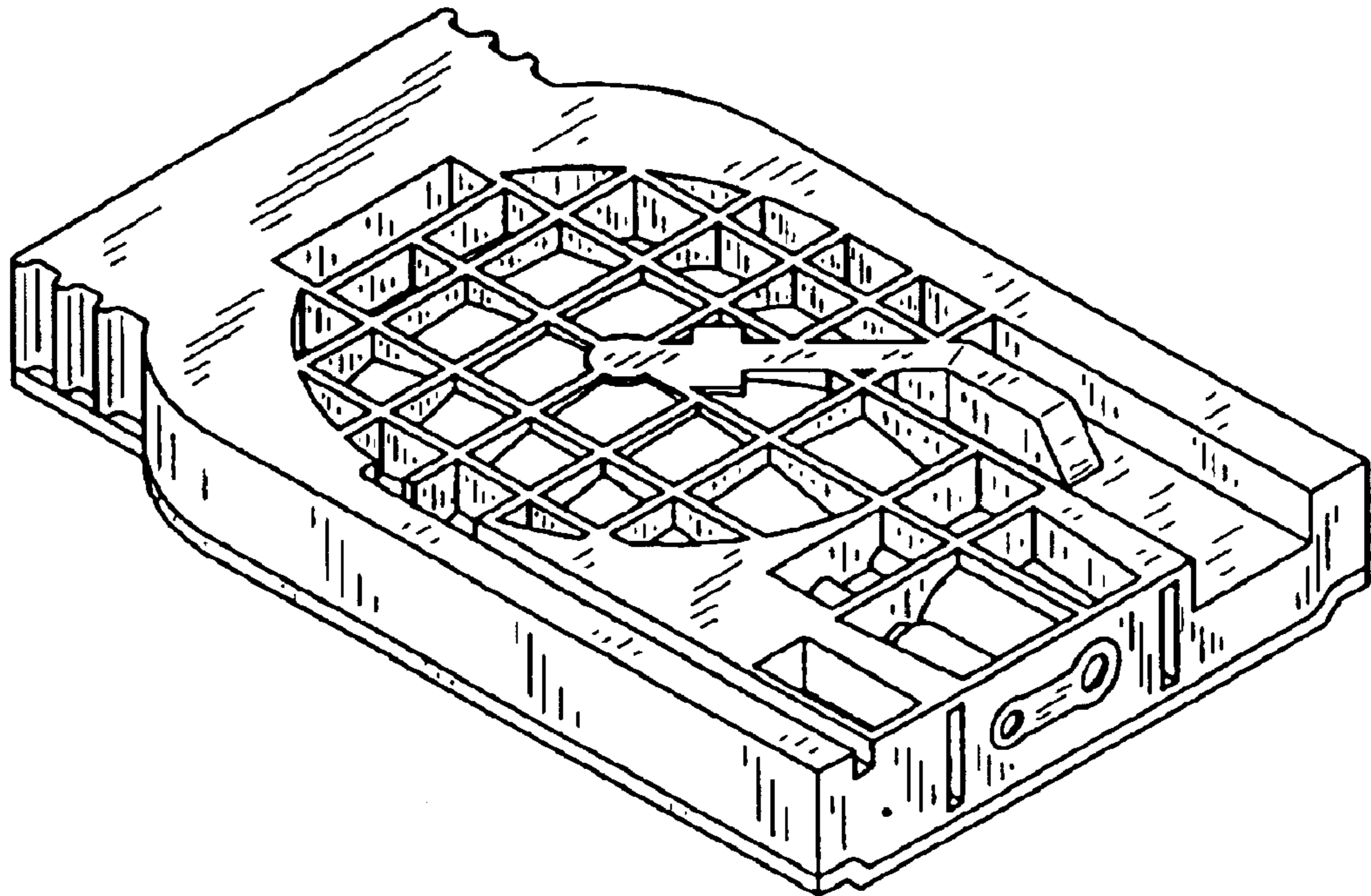


FIG. 8

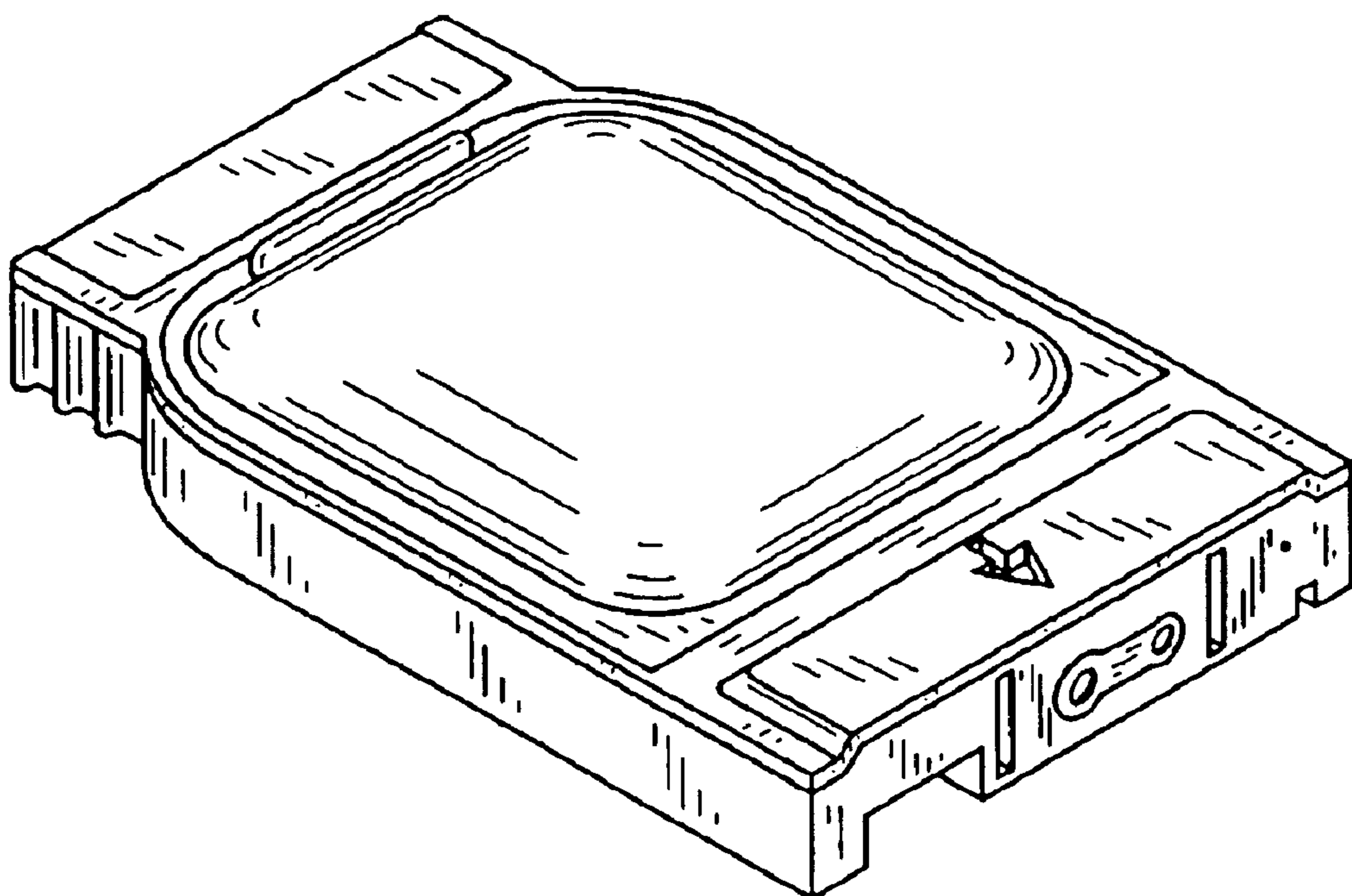


FIG. 9

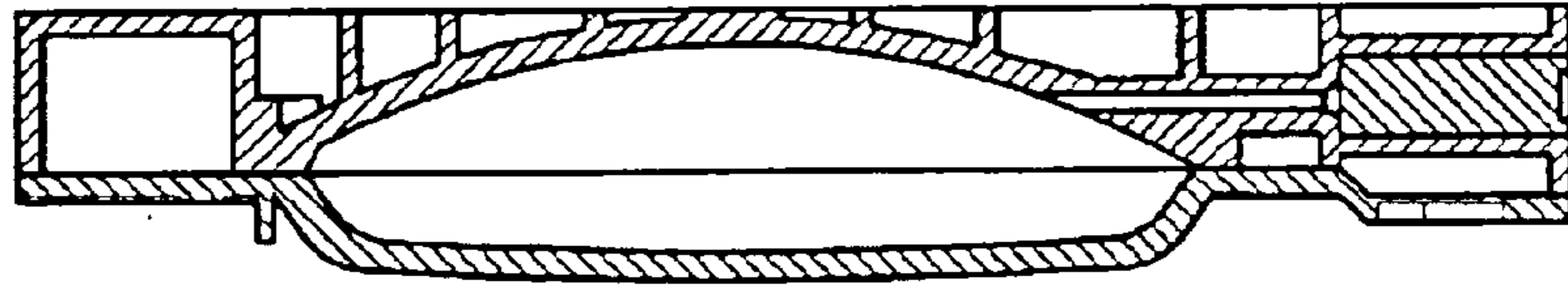


FIG. 10

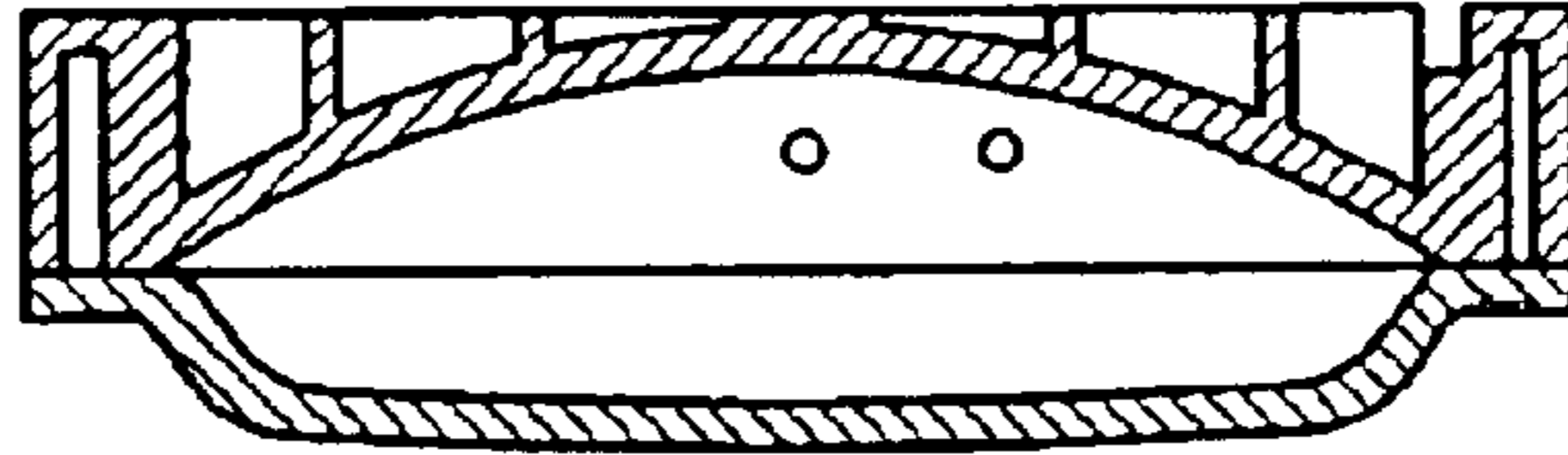


FIG. 11

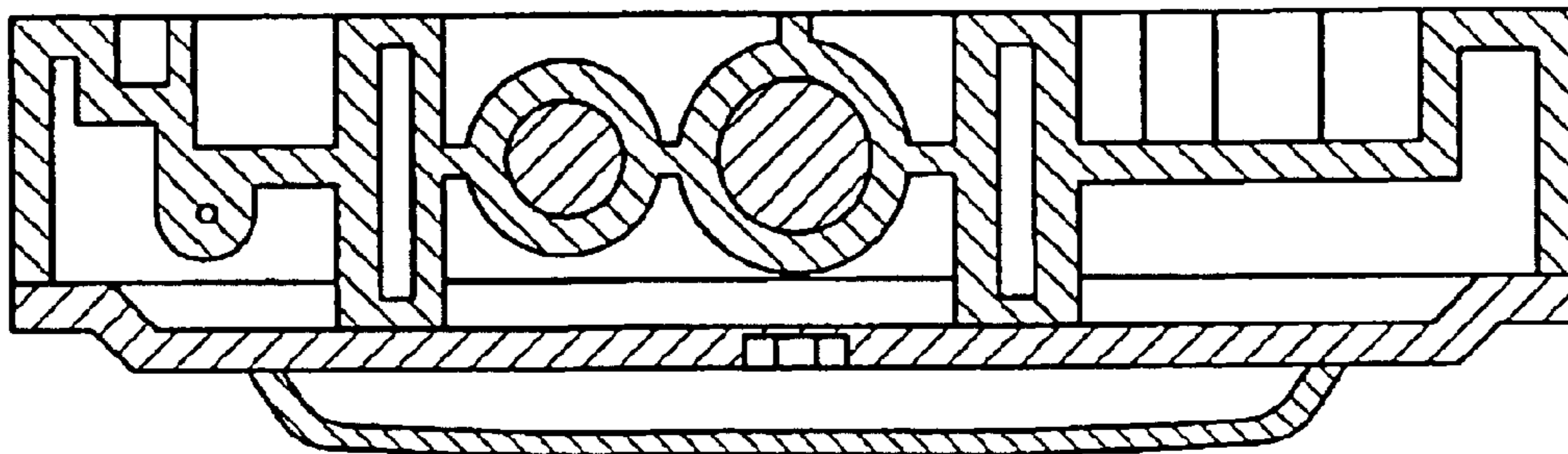


FIG. 12

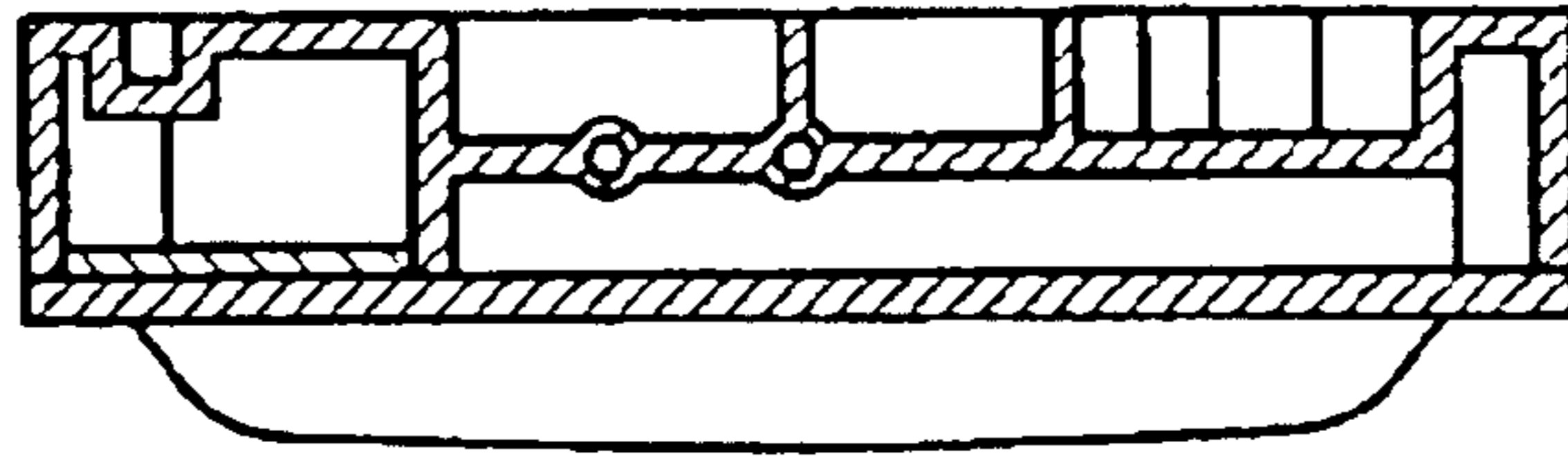


FIG. 13

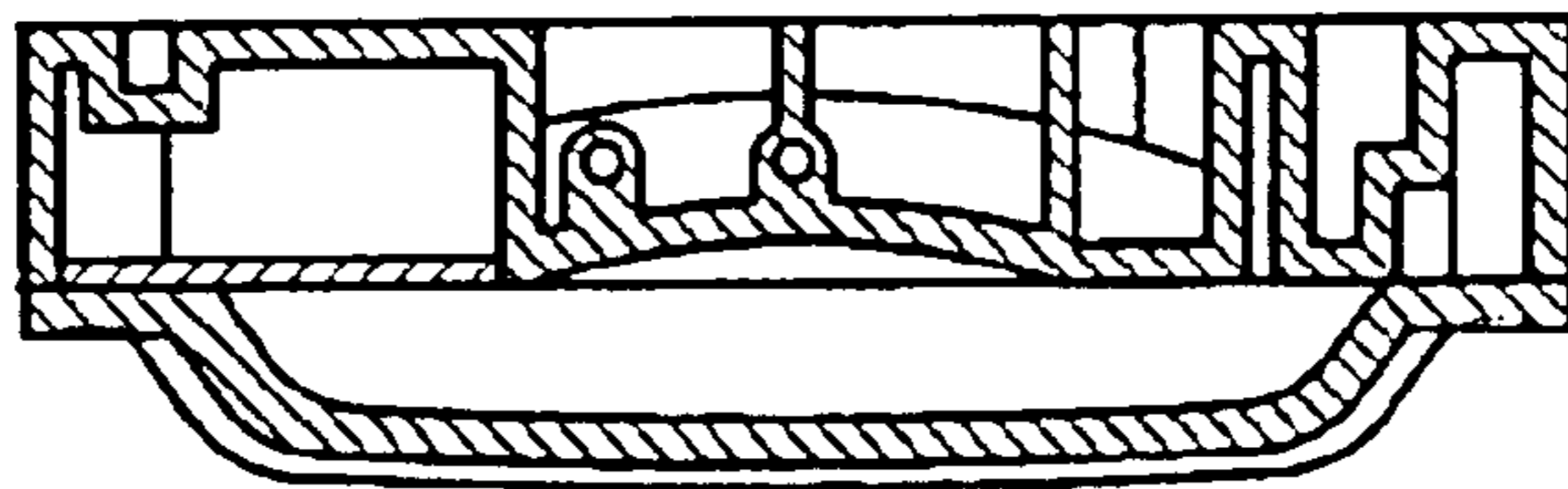


FIG. 14

