



US00D507292S

(12) **United States Design Patent** (10) **Patent No.:** **US D507,292 S**
Mine (45) **Date of Patent:** **** Jul. 12, 2005**

(54) **LEGS FOR A PIANO**

(75) Inventor: **Ikuro Mine**, Shizuoka (JP)

(73) Assignee: **Yamaha Corporation**, Shizuoka (JP)

(**) Term: **14 Years**

(21) Appl. No.: **29/195,957**

(22) Filed: **Dec. 22, 2003**

(30) **Foreign Application Priority Data**

Aug. 28, 2003 (JP) 2003-024990
 Aug. 28, 2003 (JP) 2003-024992

(51) **LOC (8) Cl.** **17-01**

(52) **U.S. Cl.** **D17/9**

(58) **Field of Search** D6/487, 488, 499;
D17/1, 2, 5-7, 8, 9; D21/409; 84/174-177,
423 R, 428, 713, 719, 744, DIG. 7

(56) **References Cited**

U.S. PATENT DOCUMENTS

1,829,065	A	*	10/1931	Sharman	84/177
D186,827	S	*	12/1959	Millington et al.	D17/8
3,524,009	A	*	8/1970	Welsh	84/713
D219,404	S	*	12/1970	White, Jr.	D17/8
D255,366	S	*	6/1980	Karaki et al.	D17/8
D349,415	S	*	8/1994	Peterson	D6/487
D353,730	S	*	12/1994	Klein	D6/487
D355,801	S	*	2/1995	Klein	D6/487

* cited by examiner

Primary Examiner—Adir Aronovich

(74) *Attorney, Agent, or Firm*—Sughrue Mion, PLLC

(57) **CLAIM**

The ornamental design for legs for a piano, as shown and described.

DESCRIPTION

FIG. 1 is a perspective view of the top, front and left side of legs for a piano according to a first embodiment showing my new design;

FIG. 2 is a top plan view thereof;

FIG. 3 is a front elevational view thereof;

FIG. 4 is a right side elevational view thereof;

FIG. 5 is a left side elevational view thereof;

FIG. 6 is a rear elevational view thereof;

FIG. 7 is a bottom plan view thereof;

FIG. 8 is a perspective view of the top, front and left side of legs for a piano according to a second embodiment;

FIG. 9 is a top plan view thereof;

FIG. 10 is a front elevational view thereof;

FIG. 11 is a right side elevational view thereof;

FIG. 12 is a left side elevational view thereof;

FIG. 13 is a rear elevational view thereof; and,

FIG. 14 is a bottom plan view thereof.

The portions of the piano in broken lines are shown for illustrative purposes only and form no part of the claimed design.

1 Claim, 8 Drawing Sheets

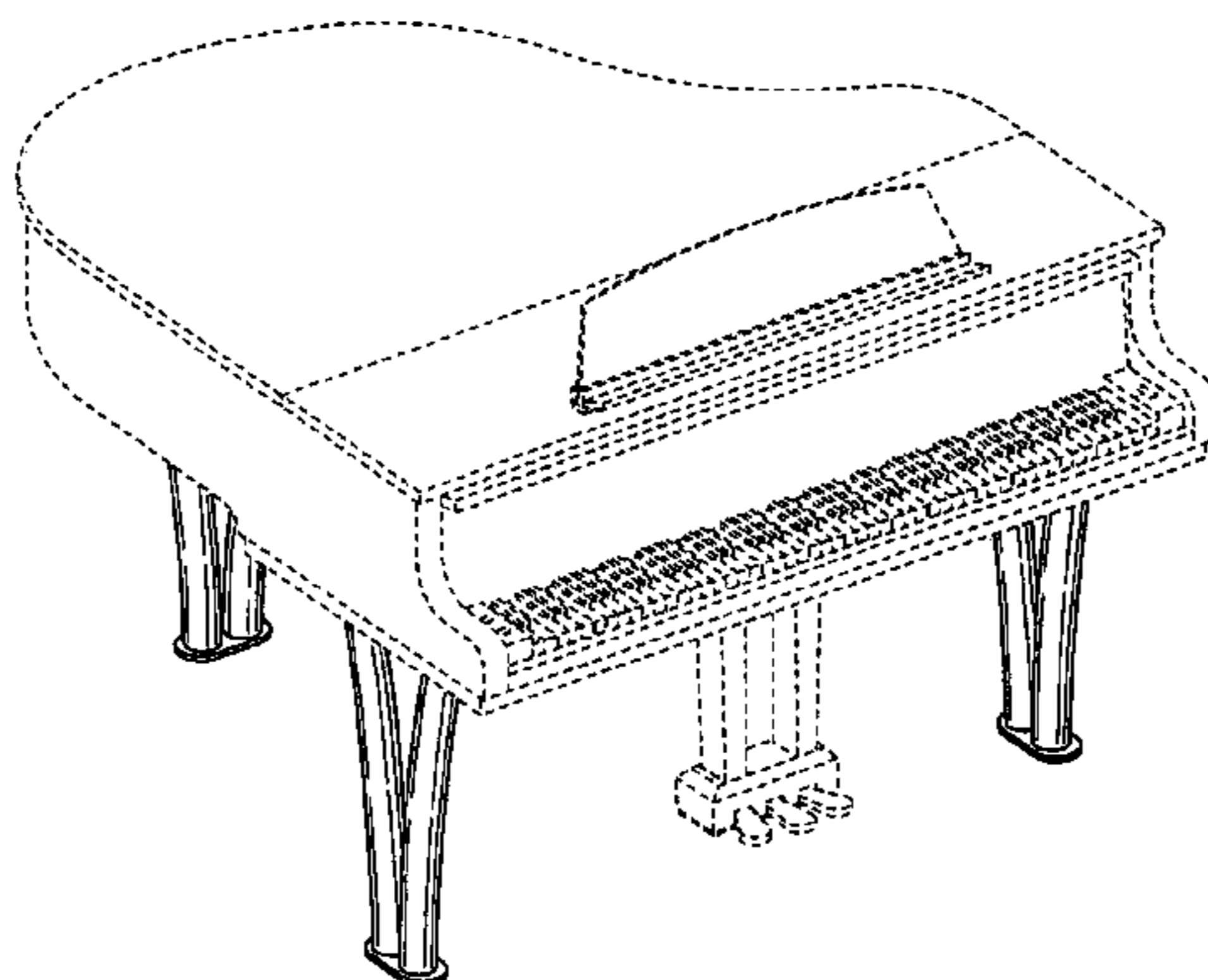
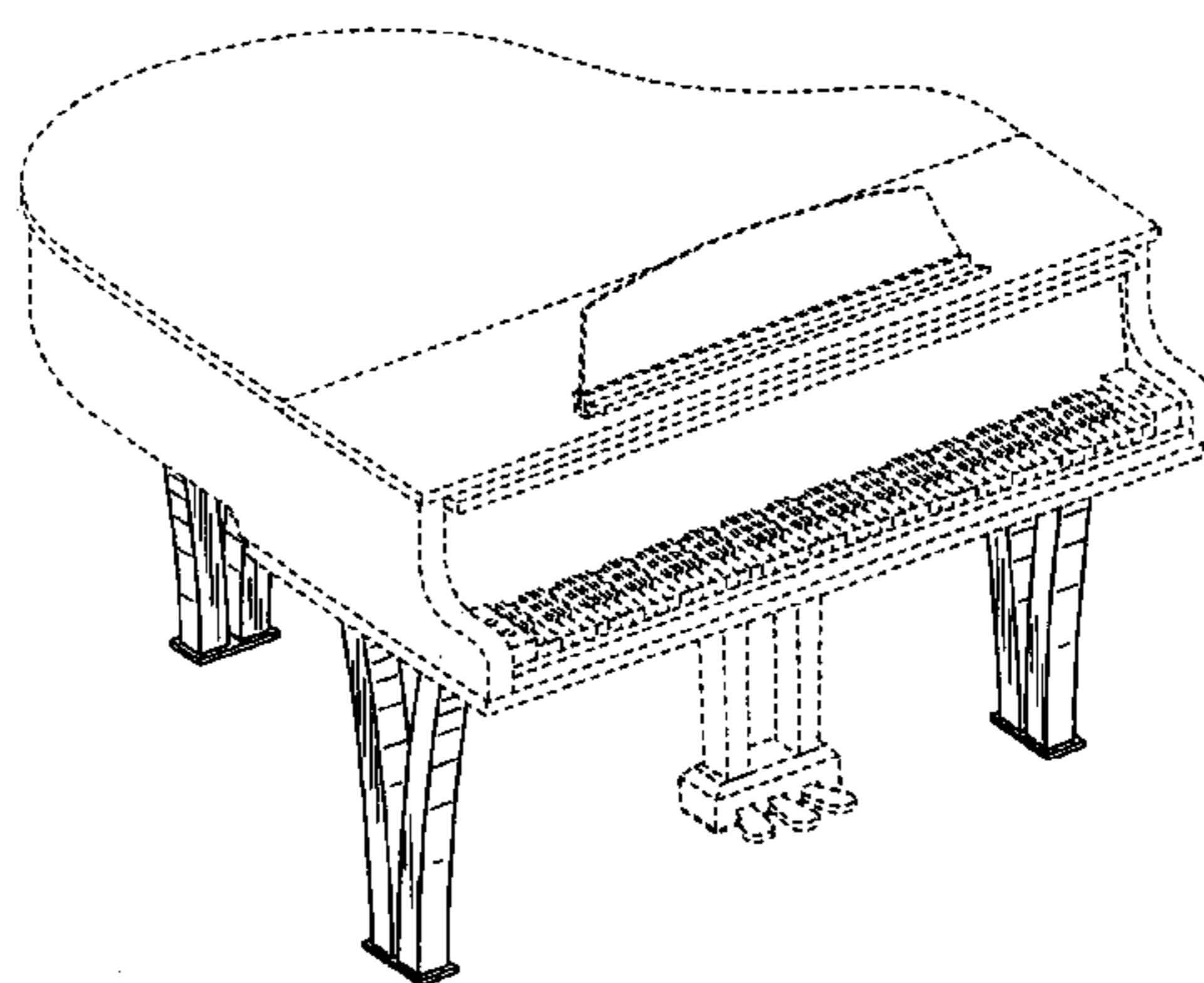


FIG. 1

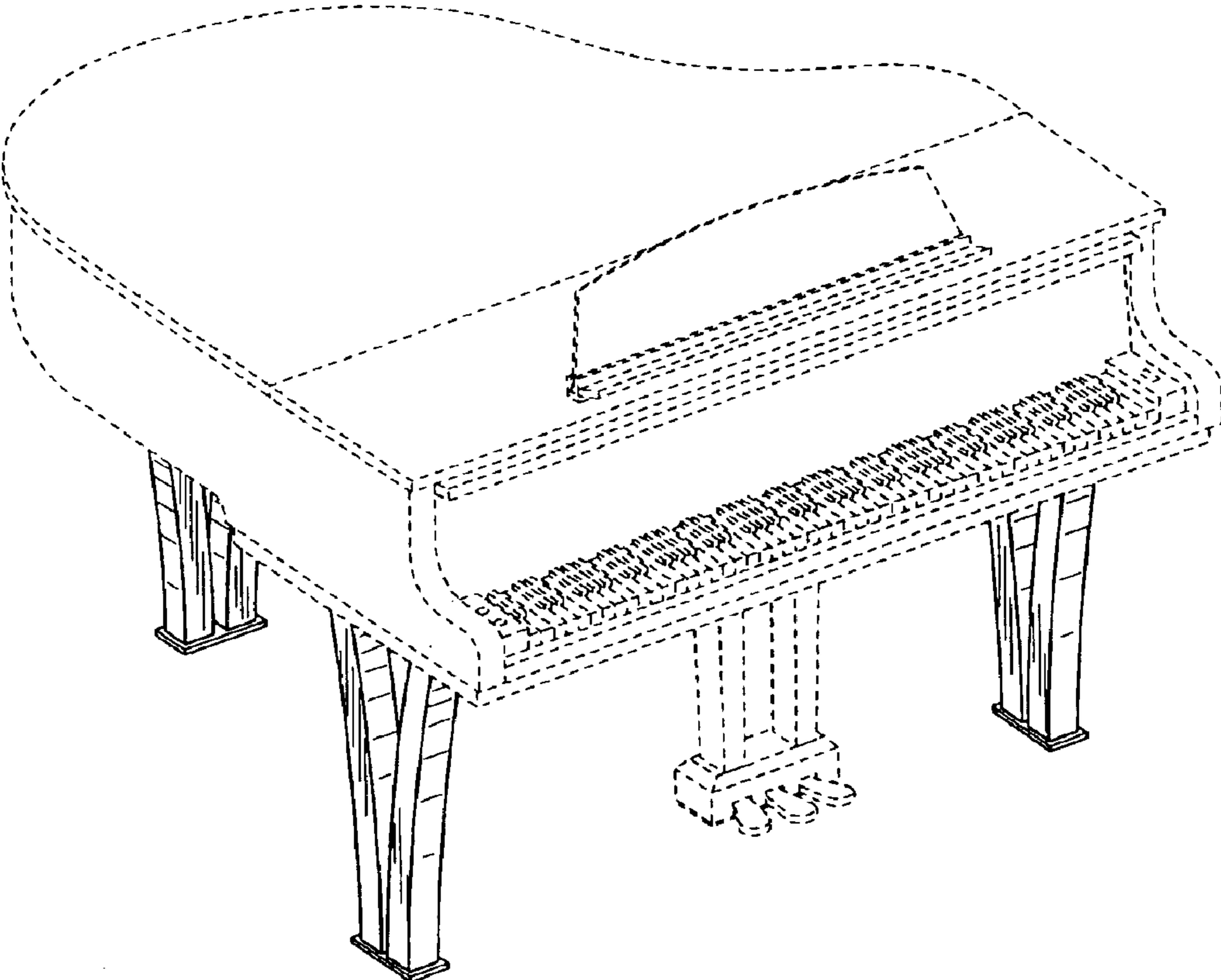


FIG. 2

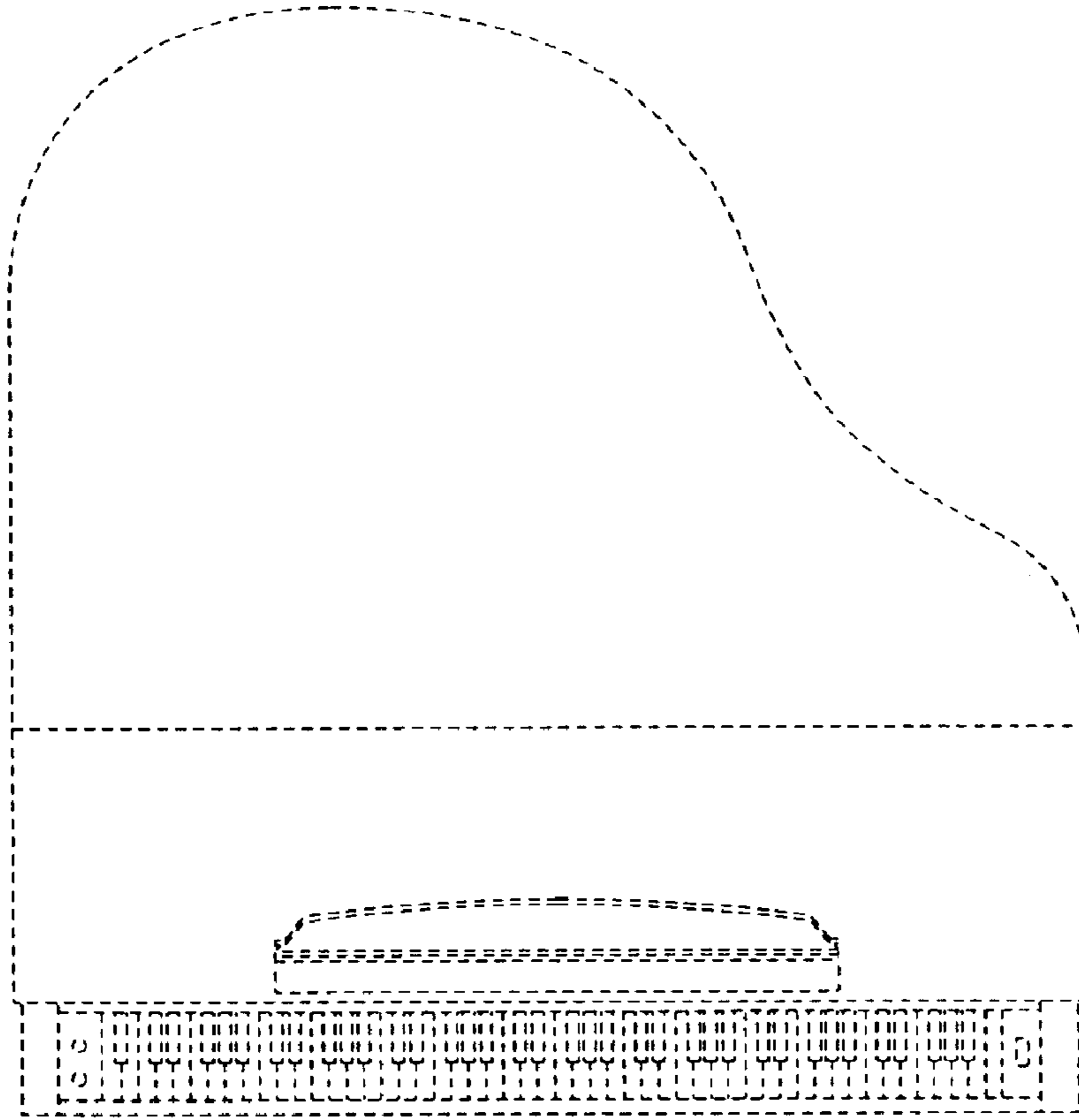


FIG. 3

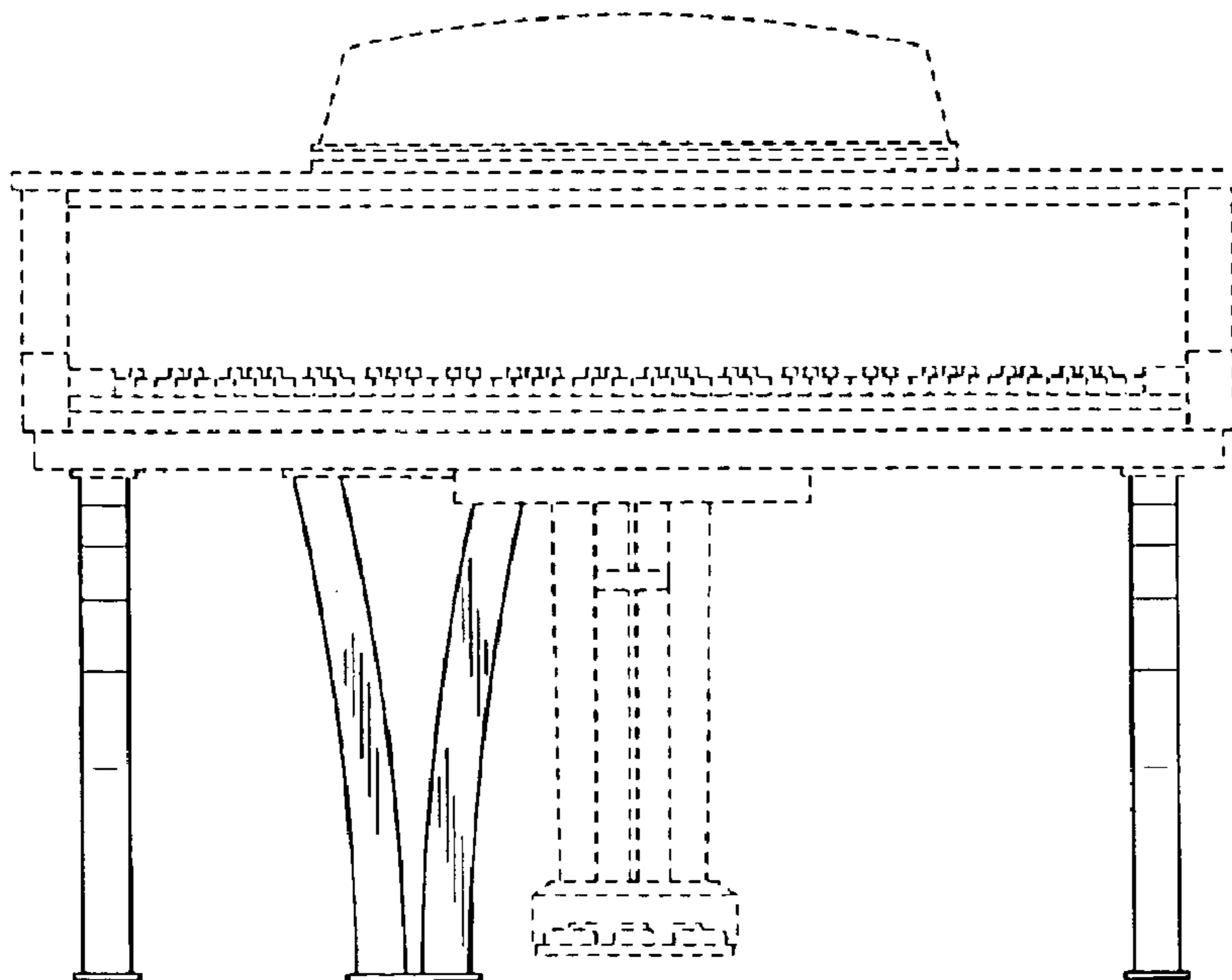


FIG. 4

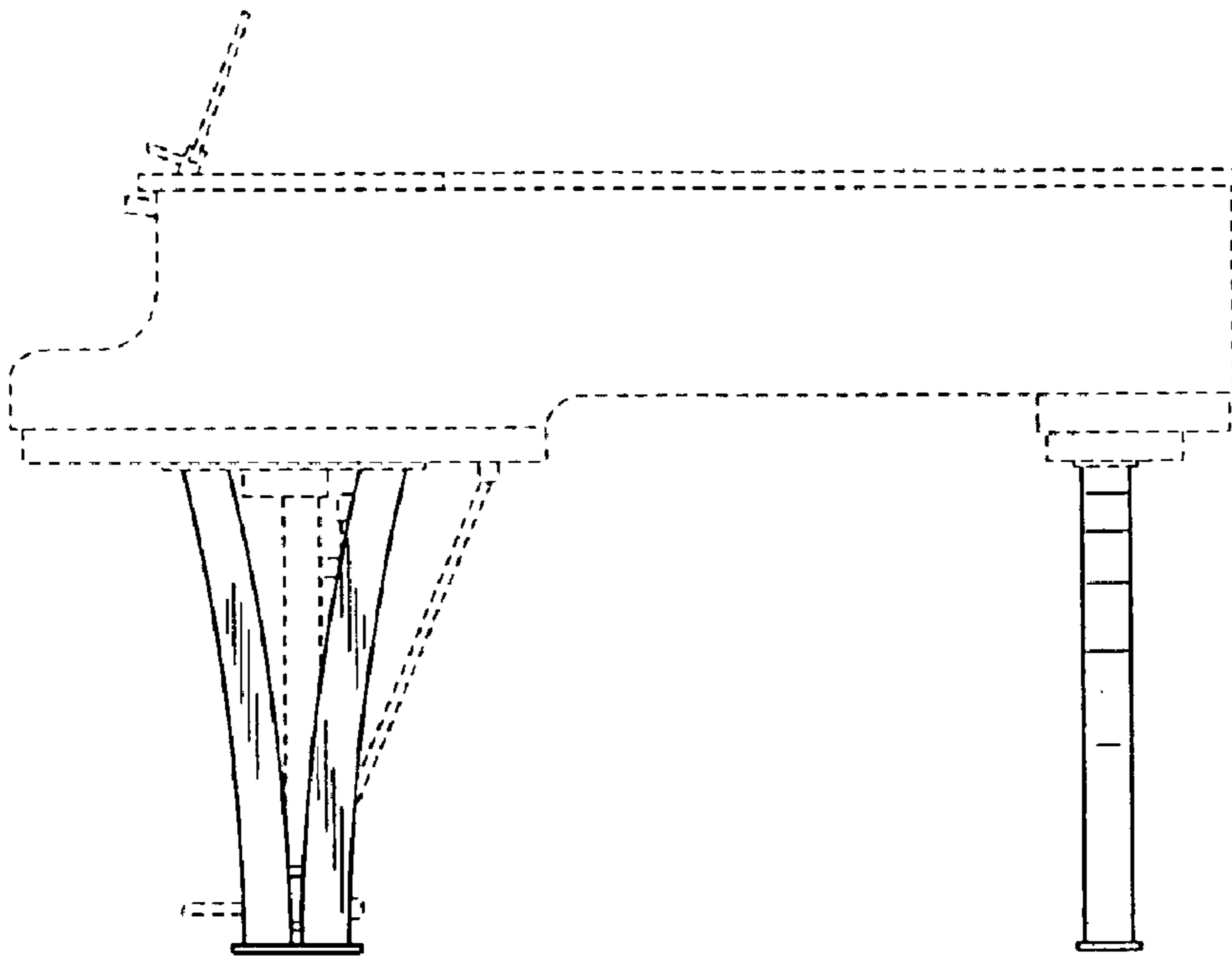


FIG. 5

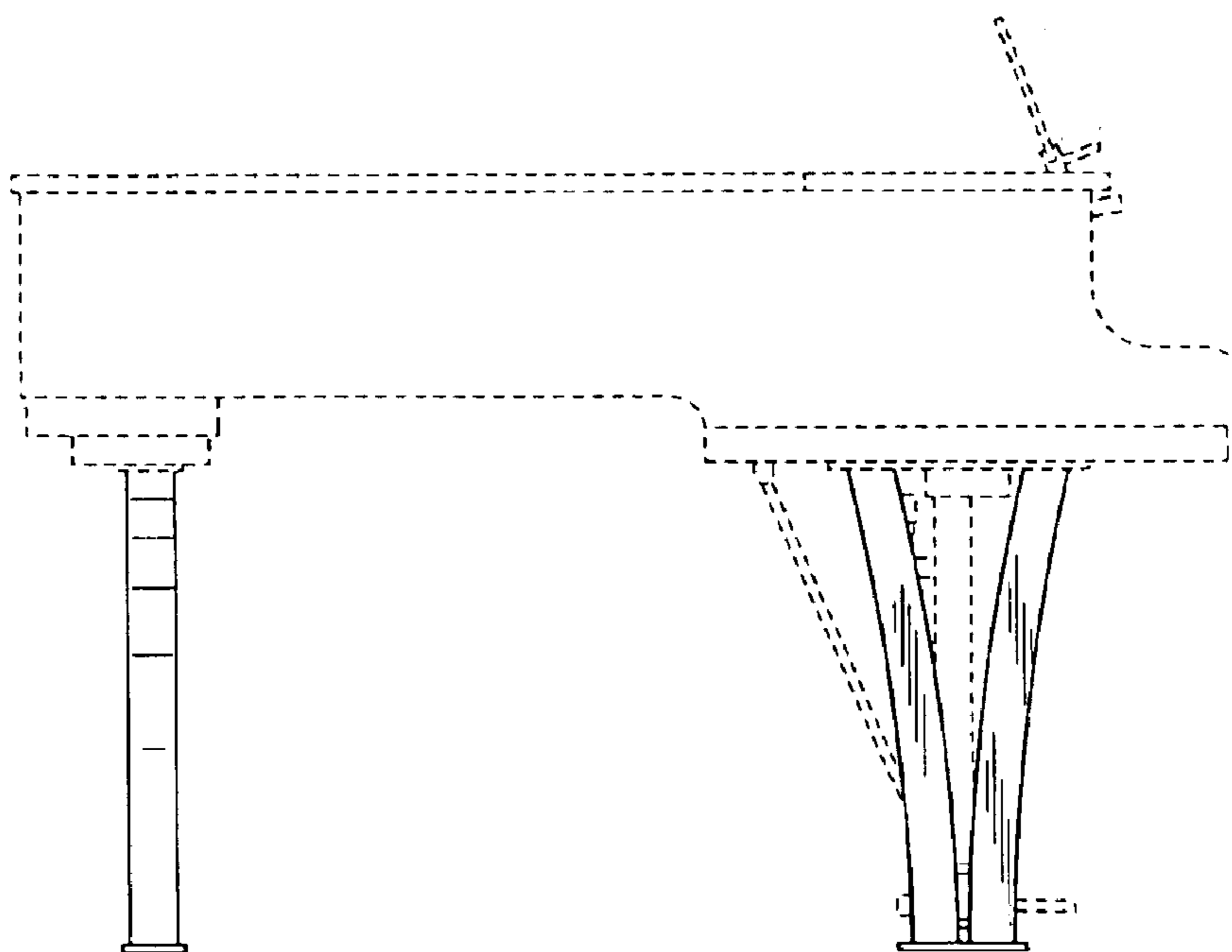


FIG. 6

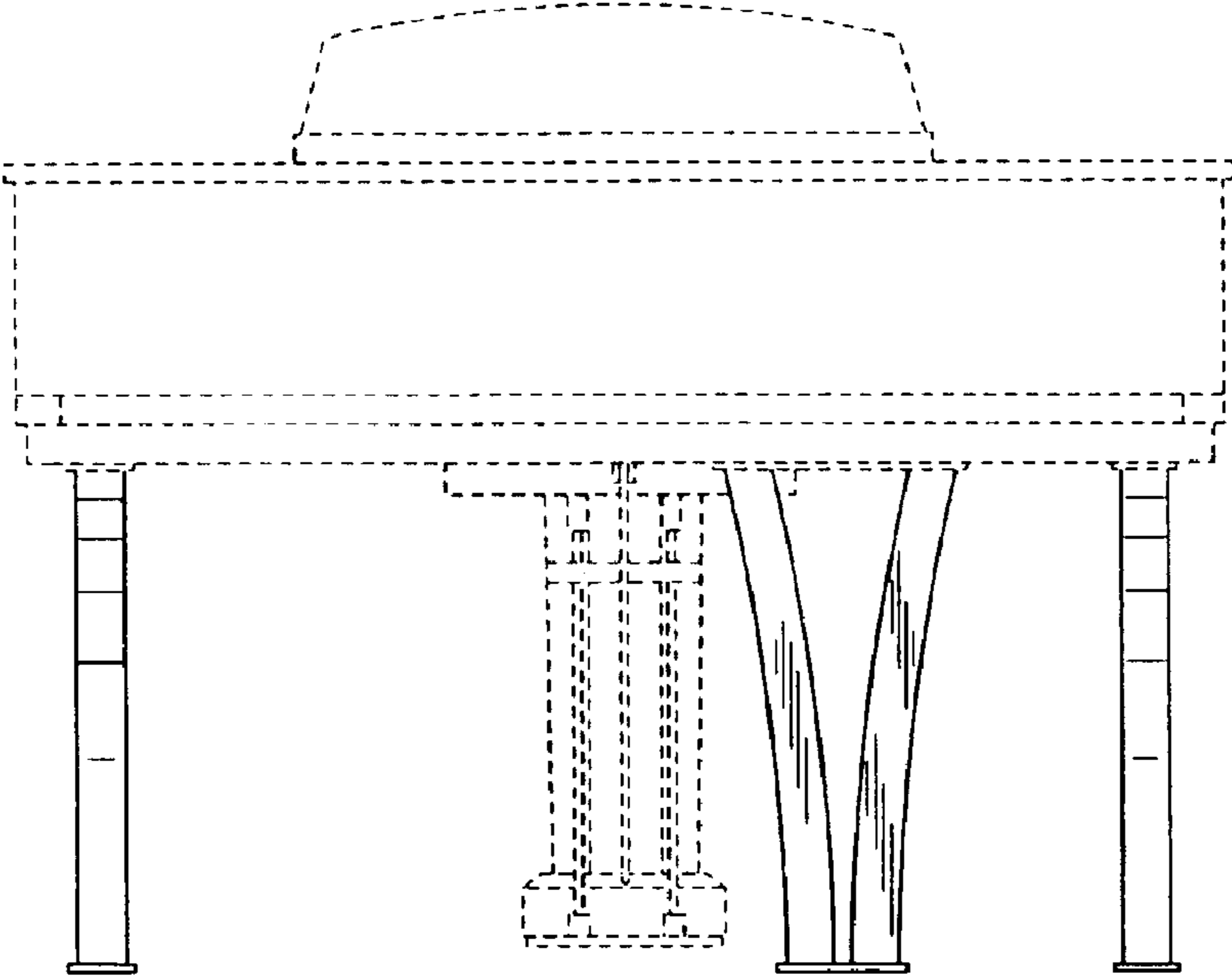


FIG. 7

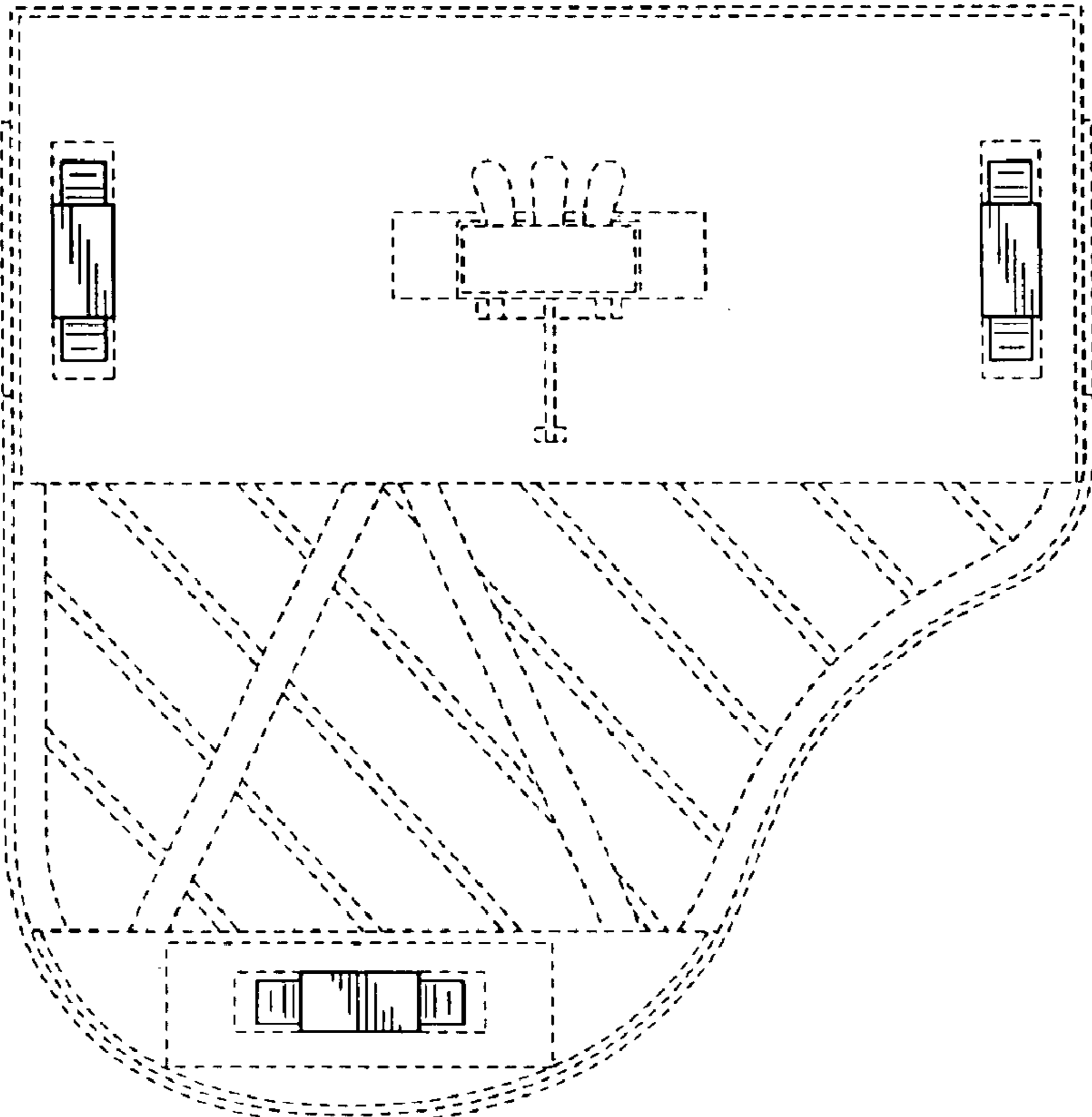


FIG. 8

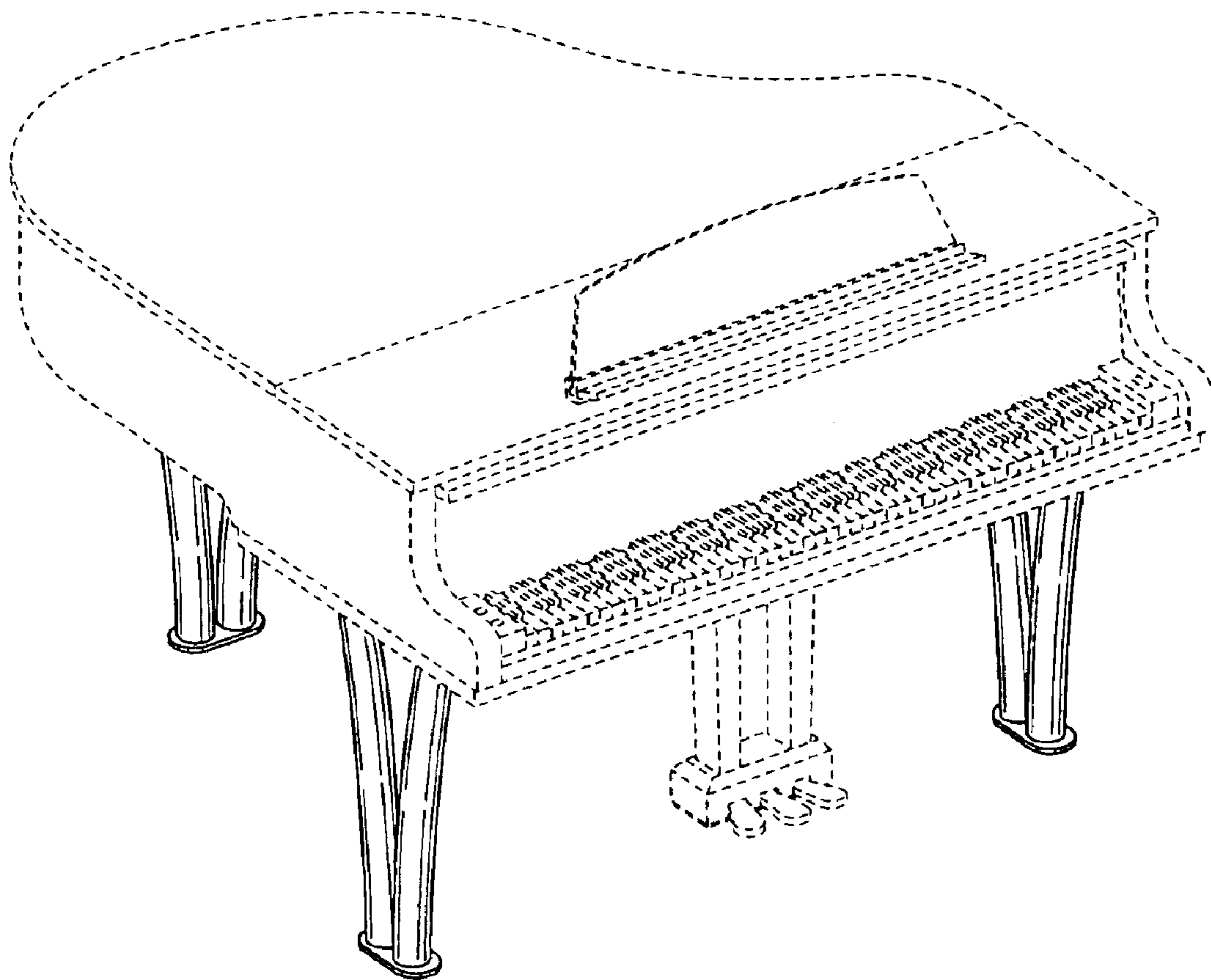


FIG. 9

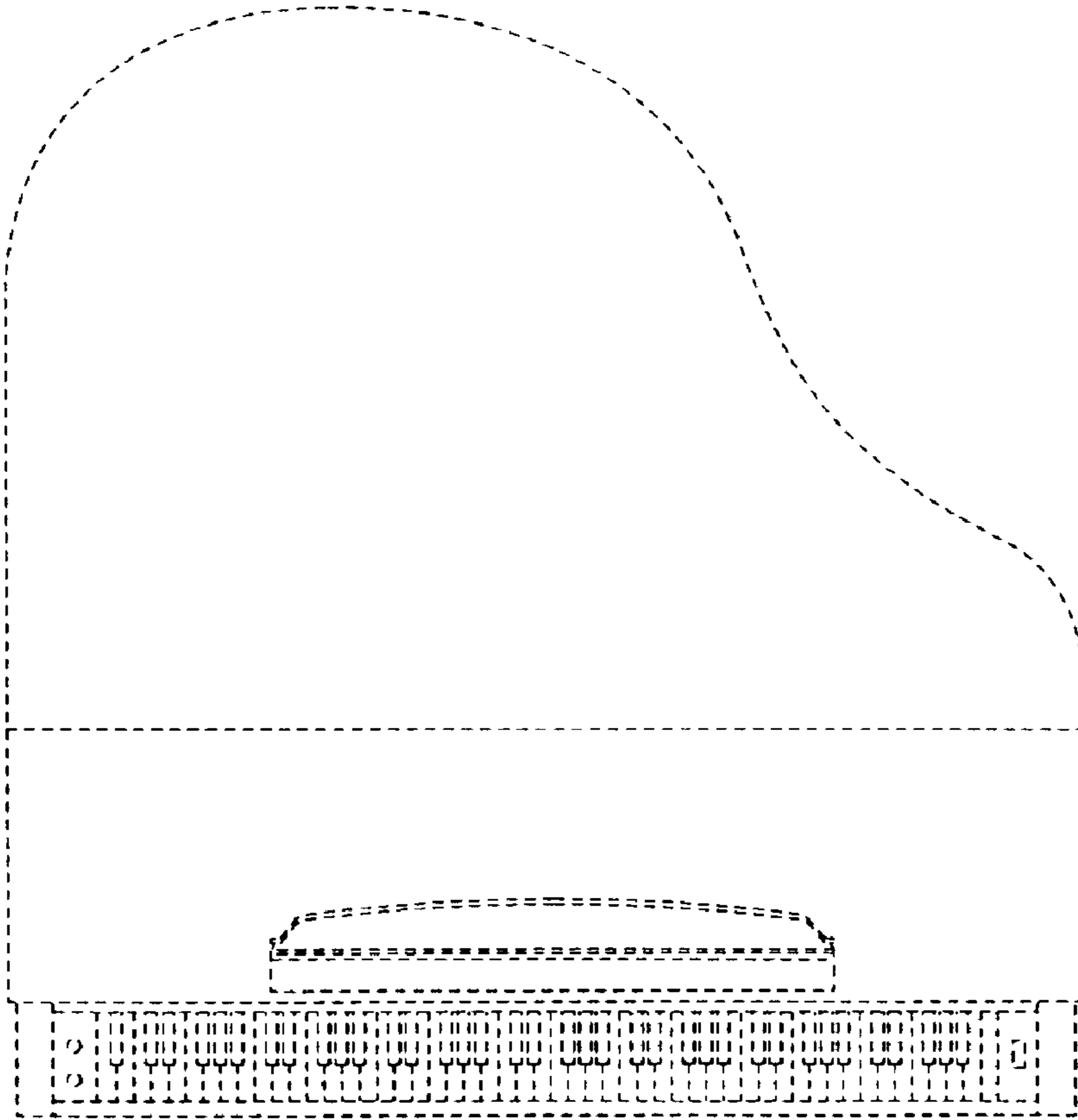


FIG. 10

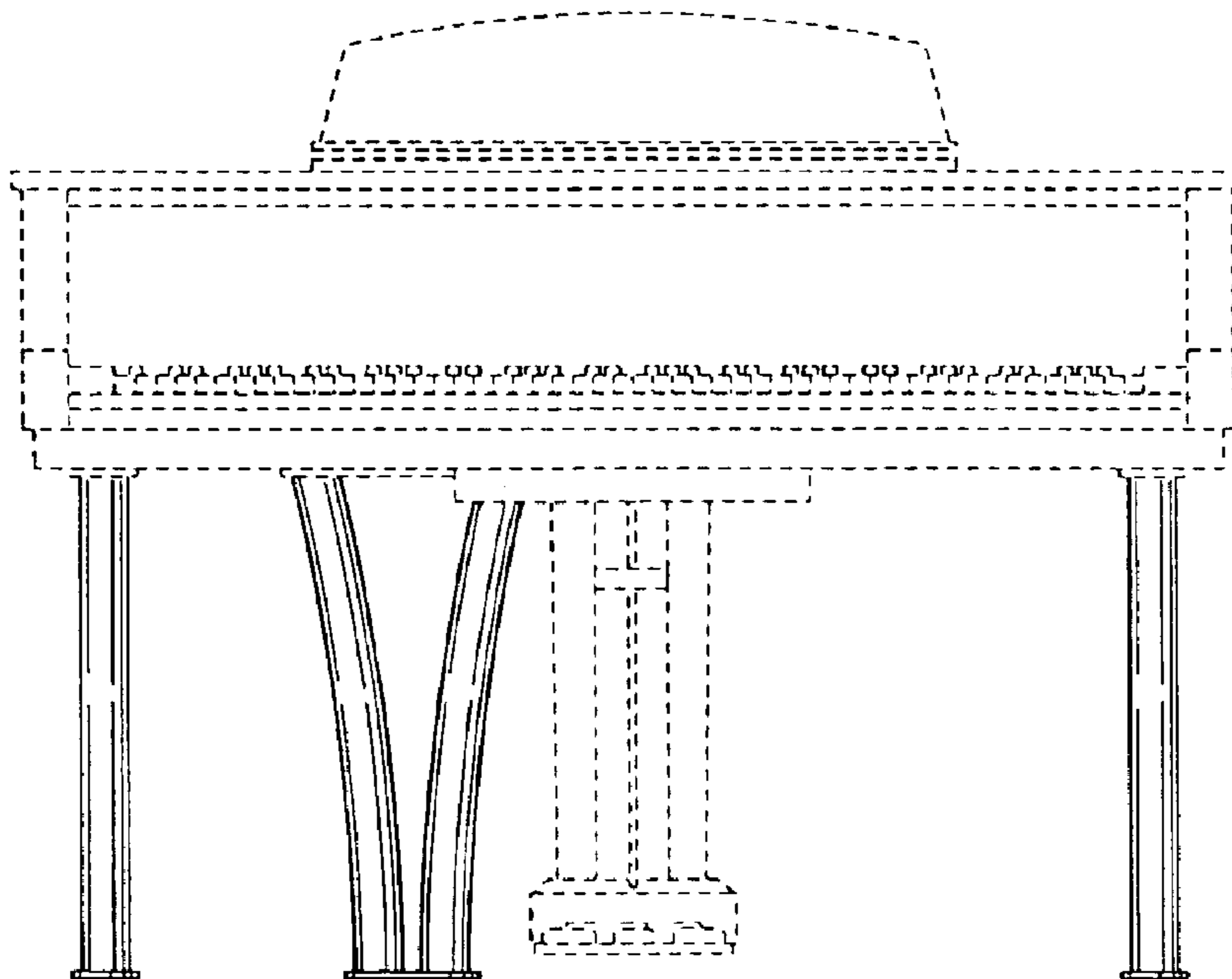


FIG. 11

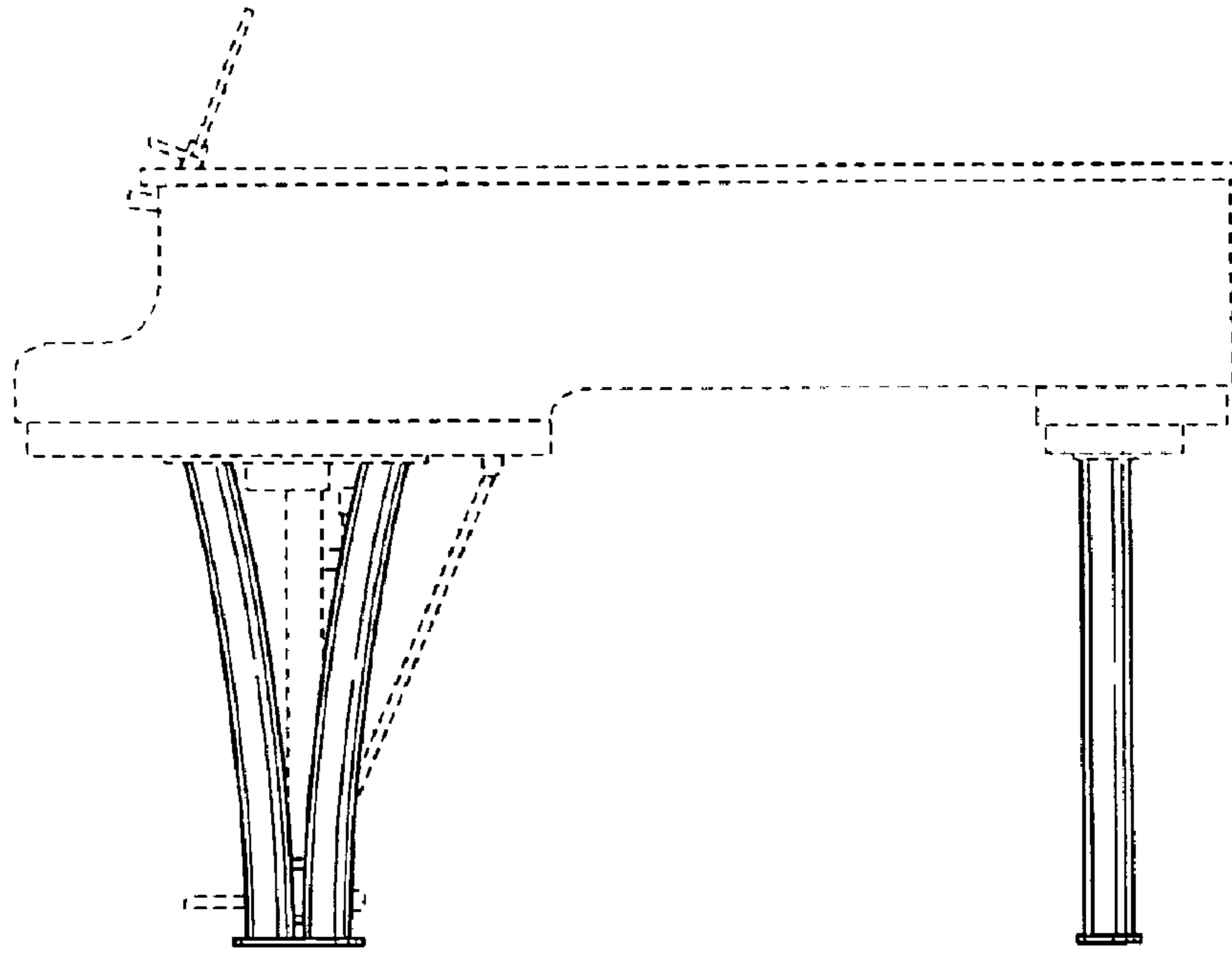


FIG. 12

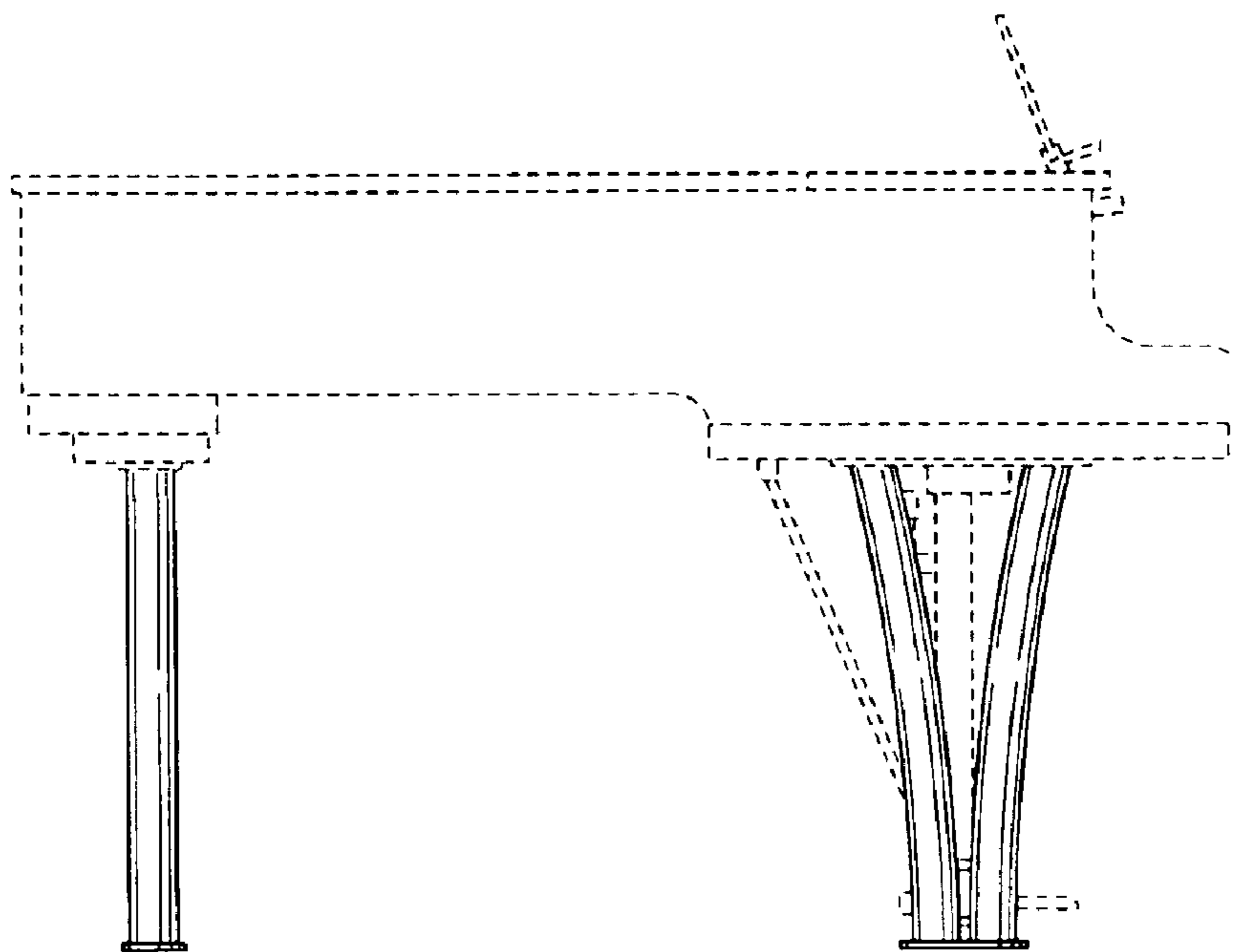


FIG. 13

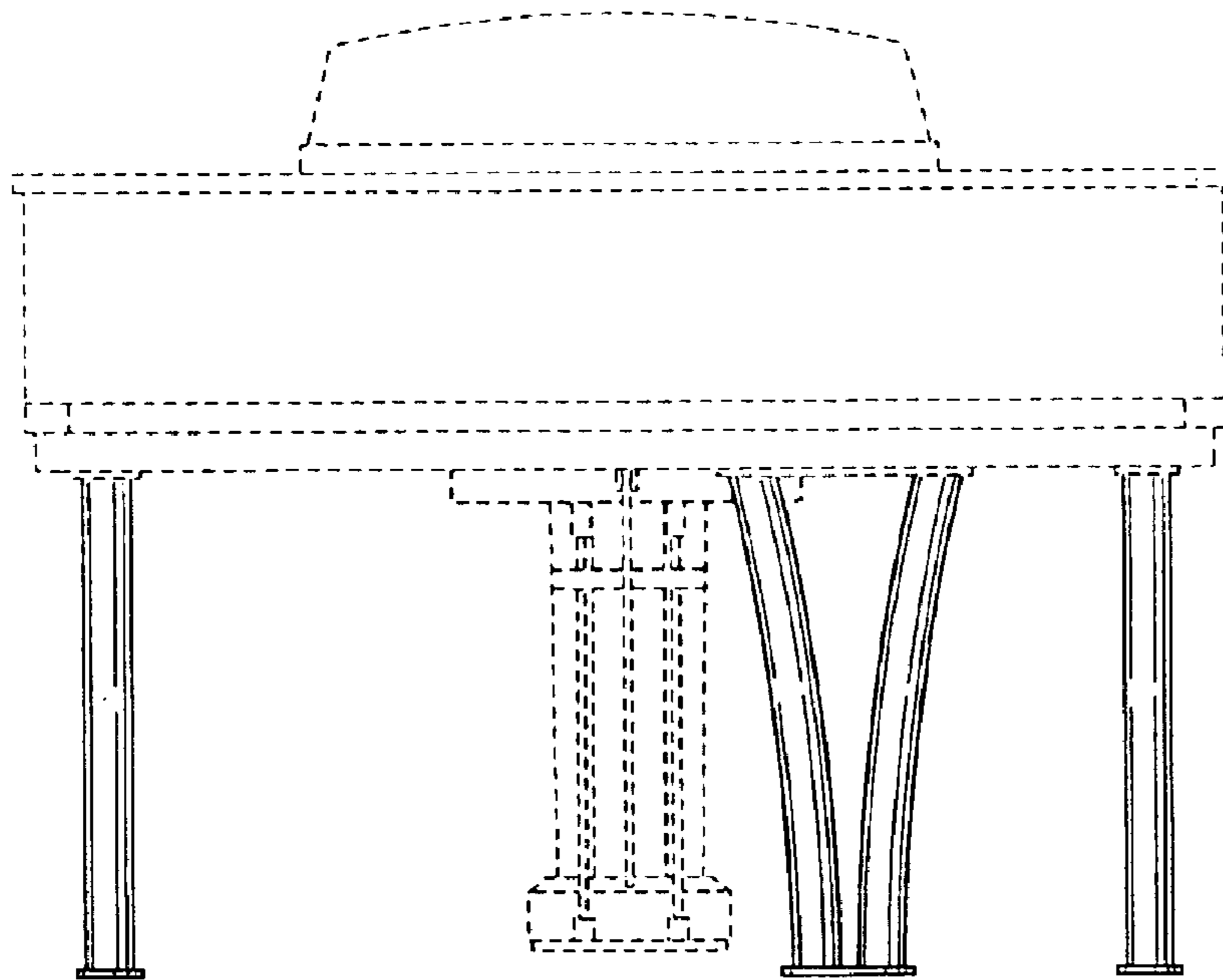


FIG. 14

