

US00D507290S

(12) **United States Design Patent**
Nishiwaki

(10) **Patent No.:** **US D507,290 S**
(45) **Date of Patent:** **** Jul. 12, 2005**

(54) **VIDEO CAMERA WITH VIDEO TAPE RECORDER**

(75) Inventor: **Kenji Nishiwaki, Saijo (JP)**

(73) Assignee: **Matsushita Electric Industrial Co., Ltd., Osaka (JP)**

(**) Term: **14 Years**

(21) Appl. No.: **29/207,679**

(22) Filed: **Jun. 16, 2004**

(30) **Foreign Application Priority Data**

Dec. 25, 2003 (JP) 2003-038147

(51) **LOC (8) Cl.** **16-01**

(52) **U.S. Cl.** **D16/202**

(58) **Field of Search** D16/200-206,
D16/208; 348/373-376; 358/906, 909.1;
396/535-541

(56) **References Cited**

U.S. PATENT DOCUMENTS

- 5,499,052 A * 3/1996 Nakanishi et al. 348/373
- D394,075 S 5/1998 Ninomiya et al.
- D406,157 S 2/1999 Goto
- D408,042 S 4/1999 Onoda et al.
- D408,043 S 4/1999 Goto et al.
- D408,428 S 4/1999 Ninomiya et al.
- D410,016 S * 5/1999 Maeyama D16/202
- D410,017 S 5/1999 Goto et al.
- D413,910 S 9/1999 Onoda et al.
- D413,911 S 9/1999 Goto et al.
- D418,852 S 1/2000 Onoda et al.
- D419,169 S 1/2000 Masano

- D423,541 S * 4/2000 Ohwada D16/202
- D429,742 S * 8/2000 Fukushima D16/202
- D467,601 S * 12/2002 Kojima et al. D16/202
- D469,793 S 2/2003 Onoda et al.
- D469,794 S 2/2003 Onoda et al.
- D471,218 S * 3/2003 Sekine D16/202
- D487,763 S * 3/2004 Miyashita D16/202

FOREIGN PATENT DOCUMENTS

- JP D1148210 7/2002
- JP D1149265 8/2002
- JP D1182522 8/2003
- JP D1182523 8/2003
- JP D1182689 8/2003
- JP D1192950 12/2003

* cited by examiner

Primary Examiner—Adir Aronovich

(74) *Attorney, Agent, or Firm*—Brinks Hofer Gilson & Lione

(57) **CLAIM**

The ornamental design for a video camera with video tape recorder, as shown and described.

DESCRIPTION

FIG. 1 is a top front perspective view of a video camera with video tape recorder of the present invention; FIG. 2 is a top rear perspective view thereof; FIG. 3 is a front view thereof; FIG. 4 is a first side view thereof; FIG. 5 is a rear view thereof; FIG. 6 is a second side view thereof; FIG. 7 is a top view thereof; and, FIG. 8 is a bottom view thereof.

1 Claim, 4 Drawing Sheets

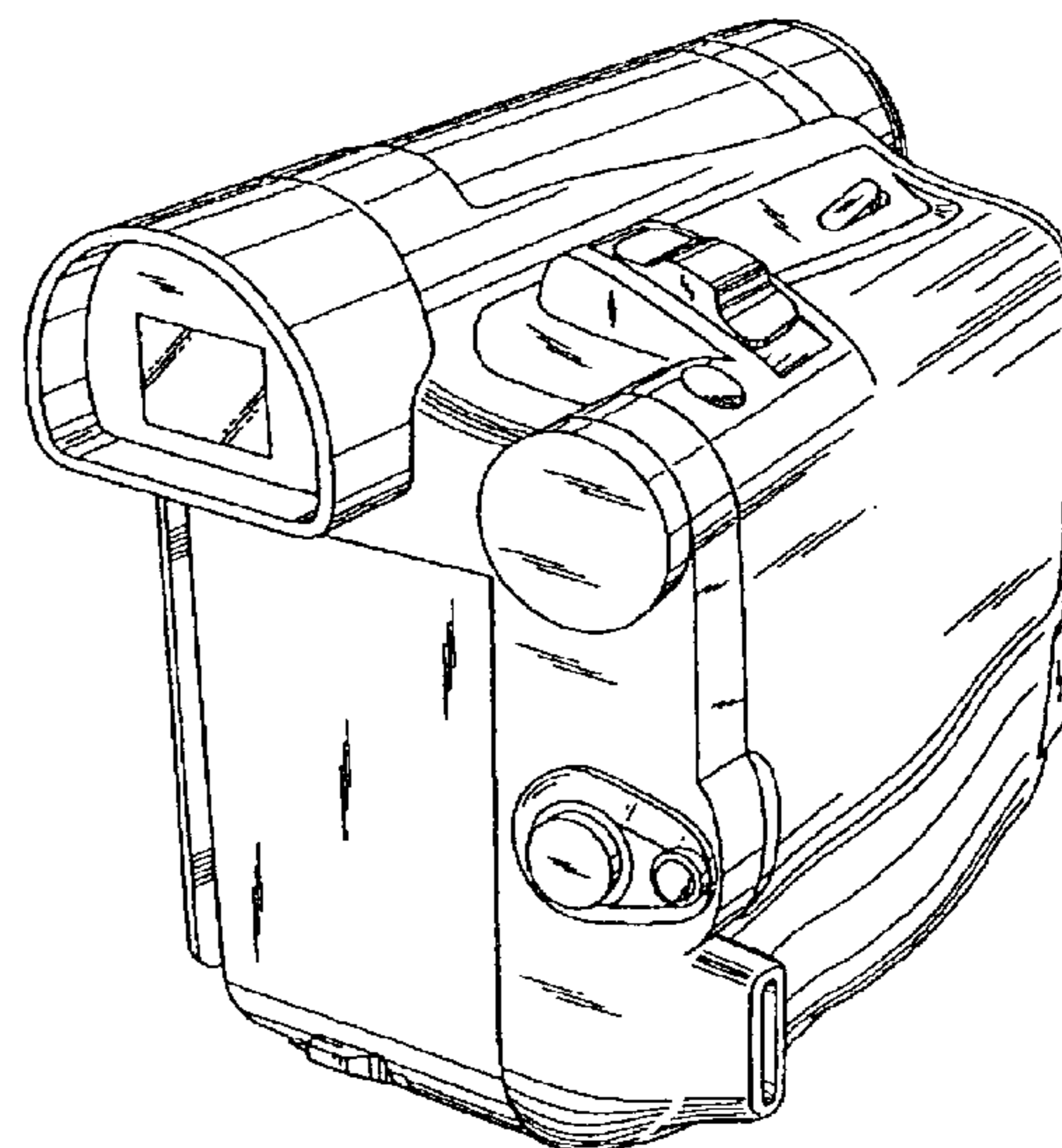
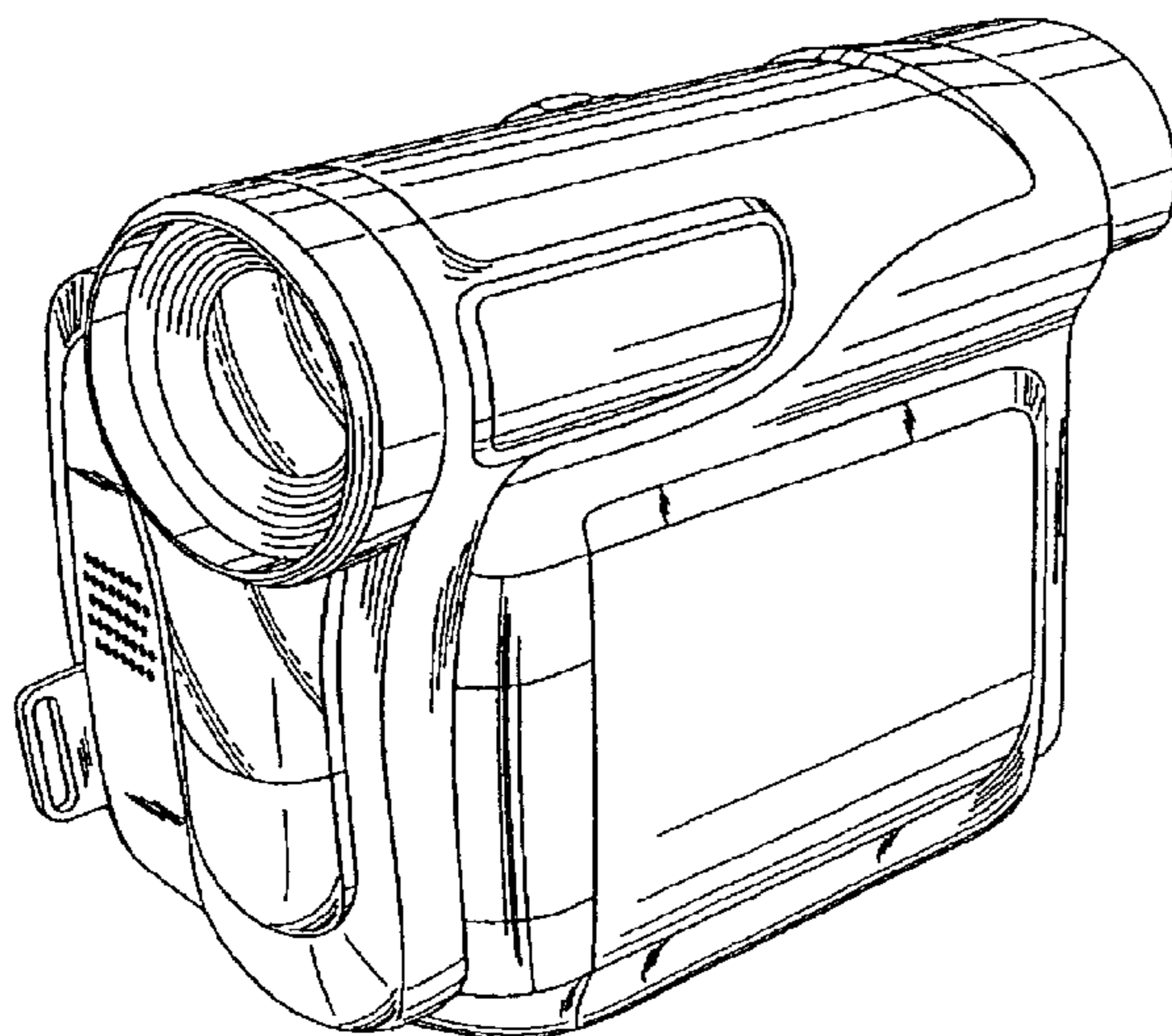


Fig. 1

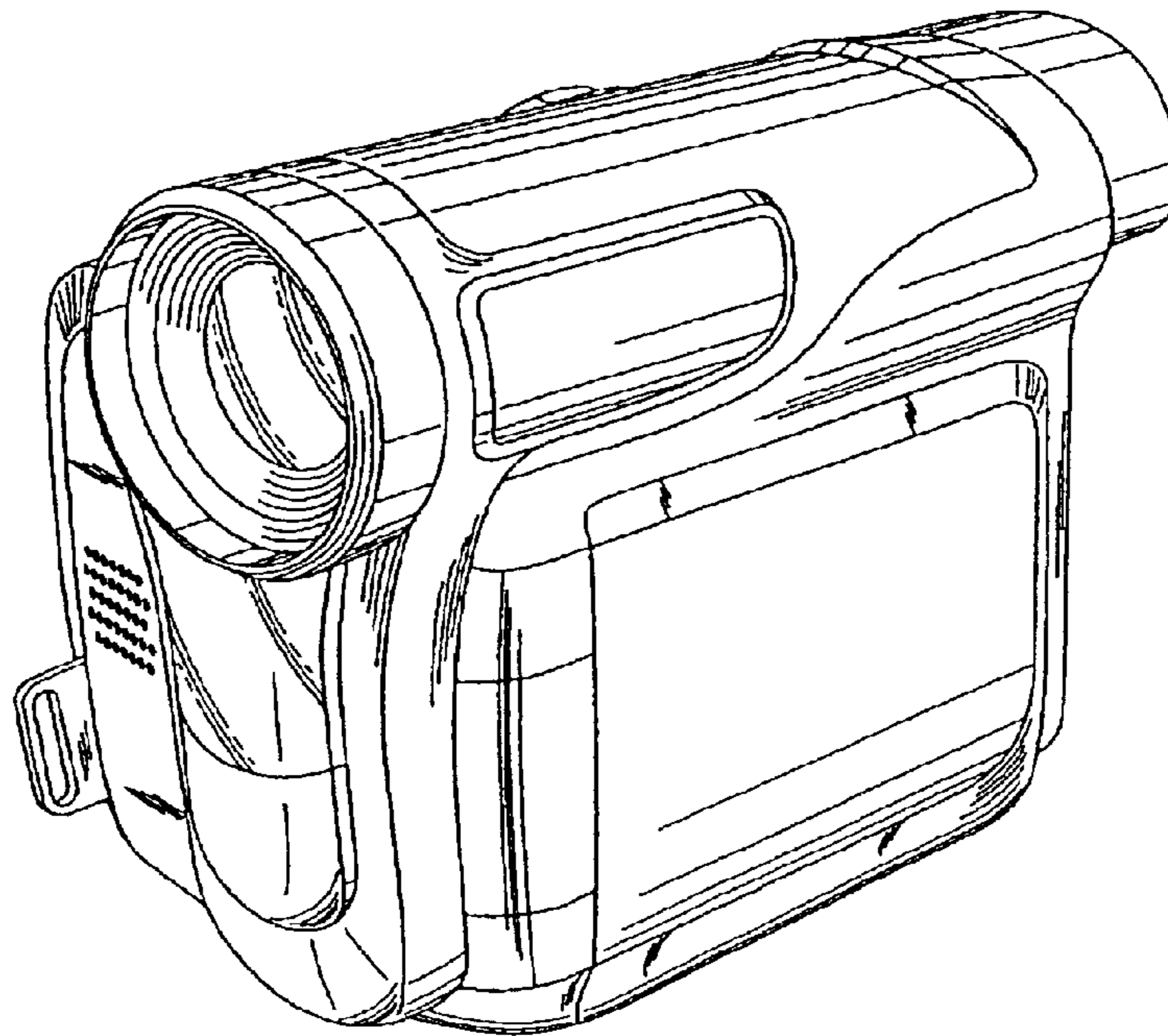


Fig. 2

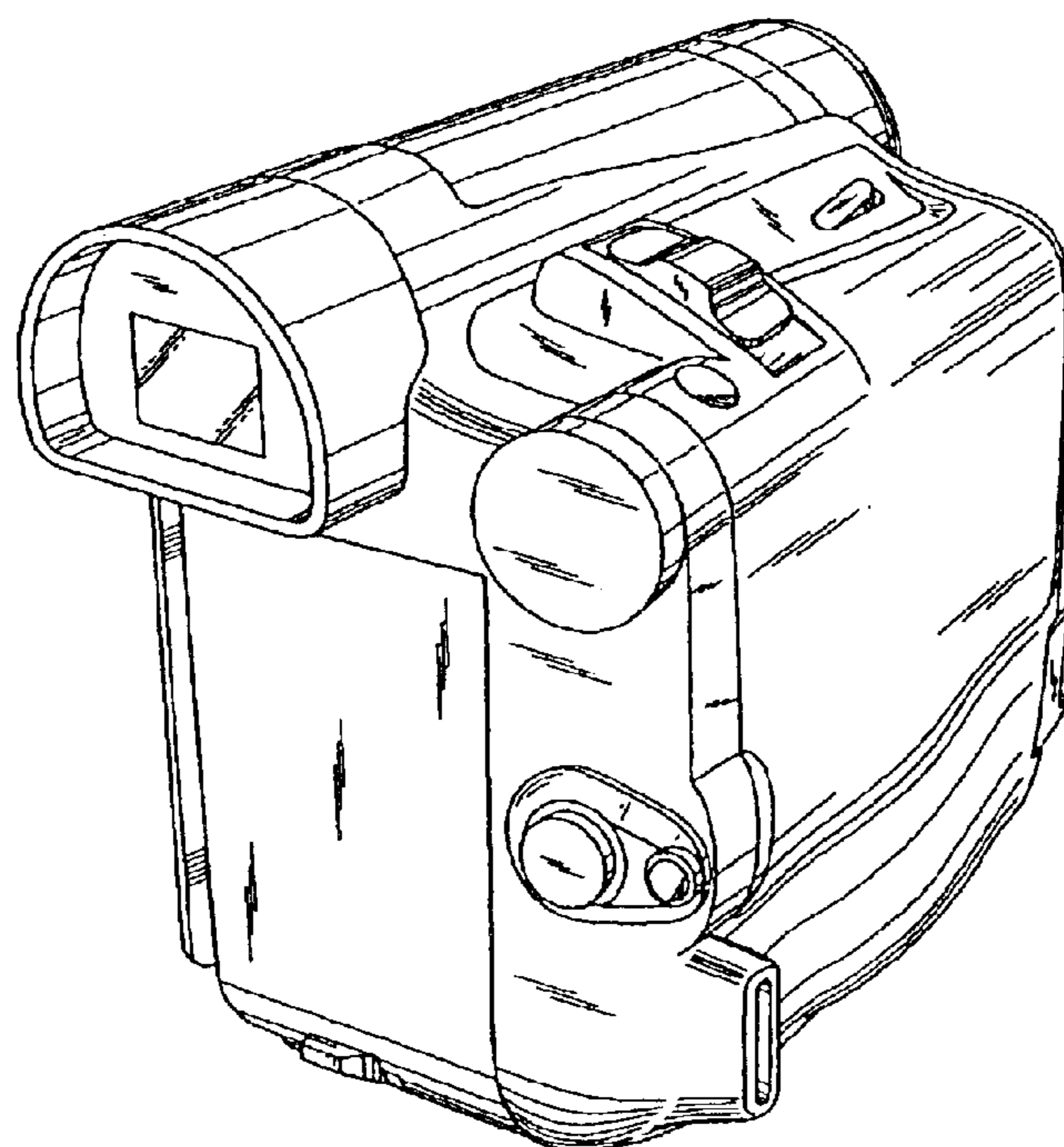


Fig.3

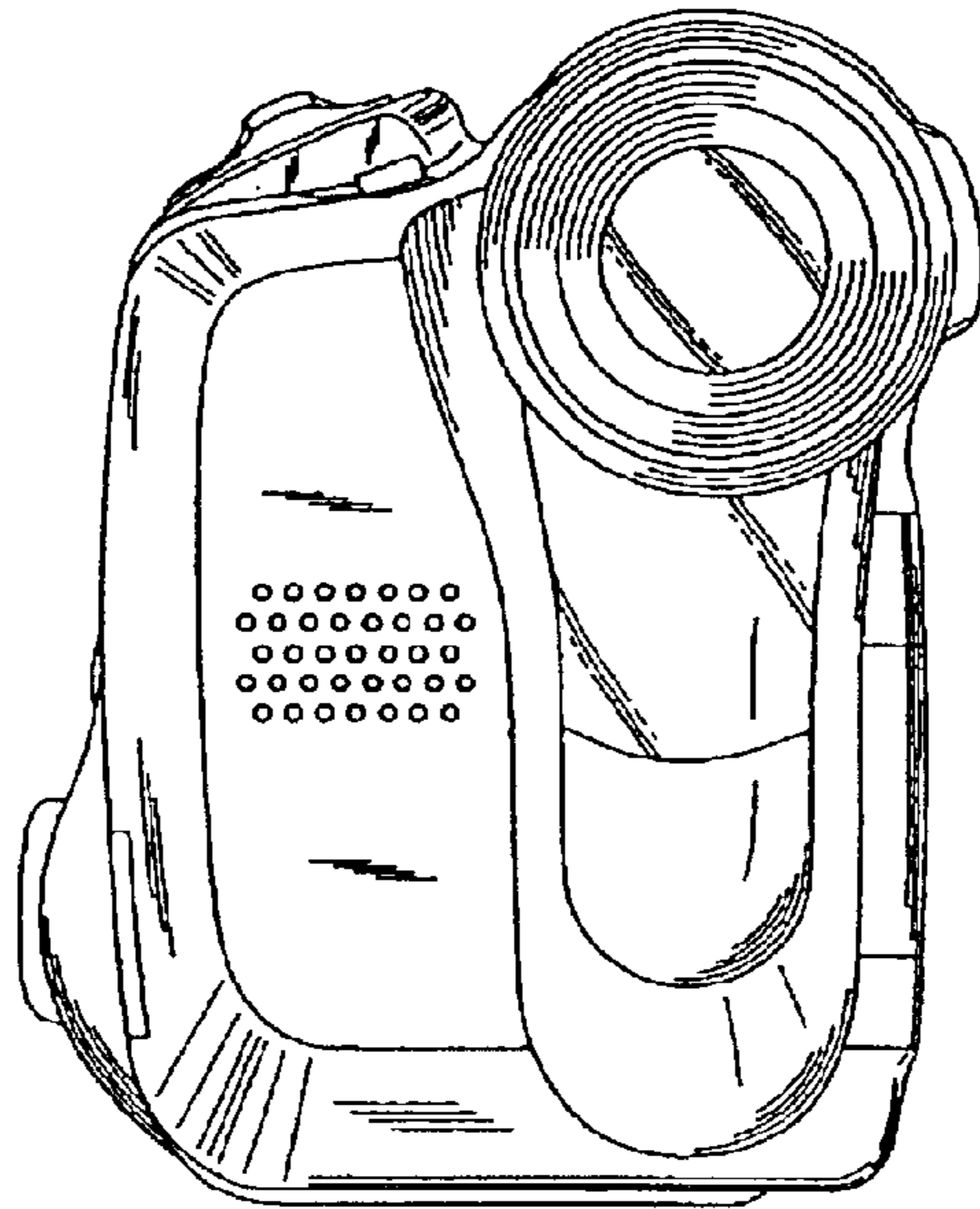


Fig.4

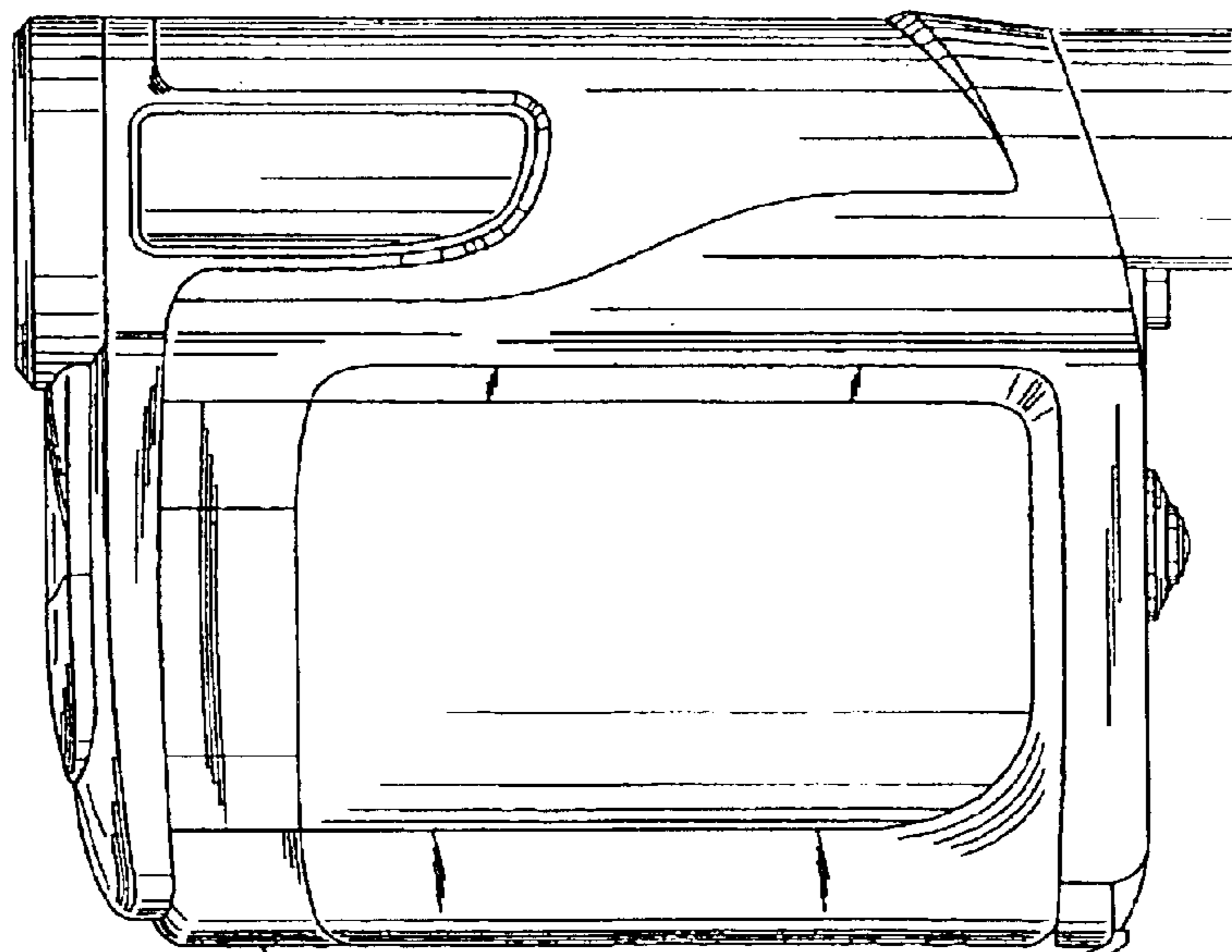


Fig.5

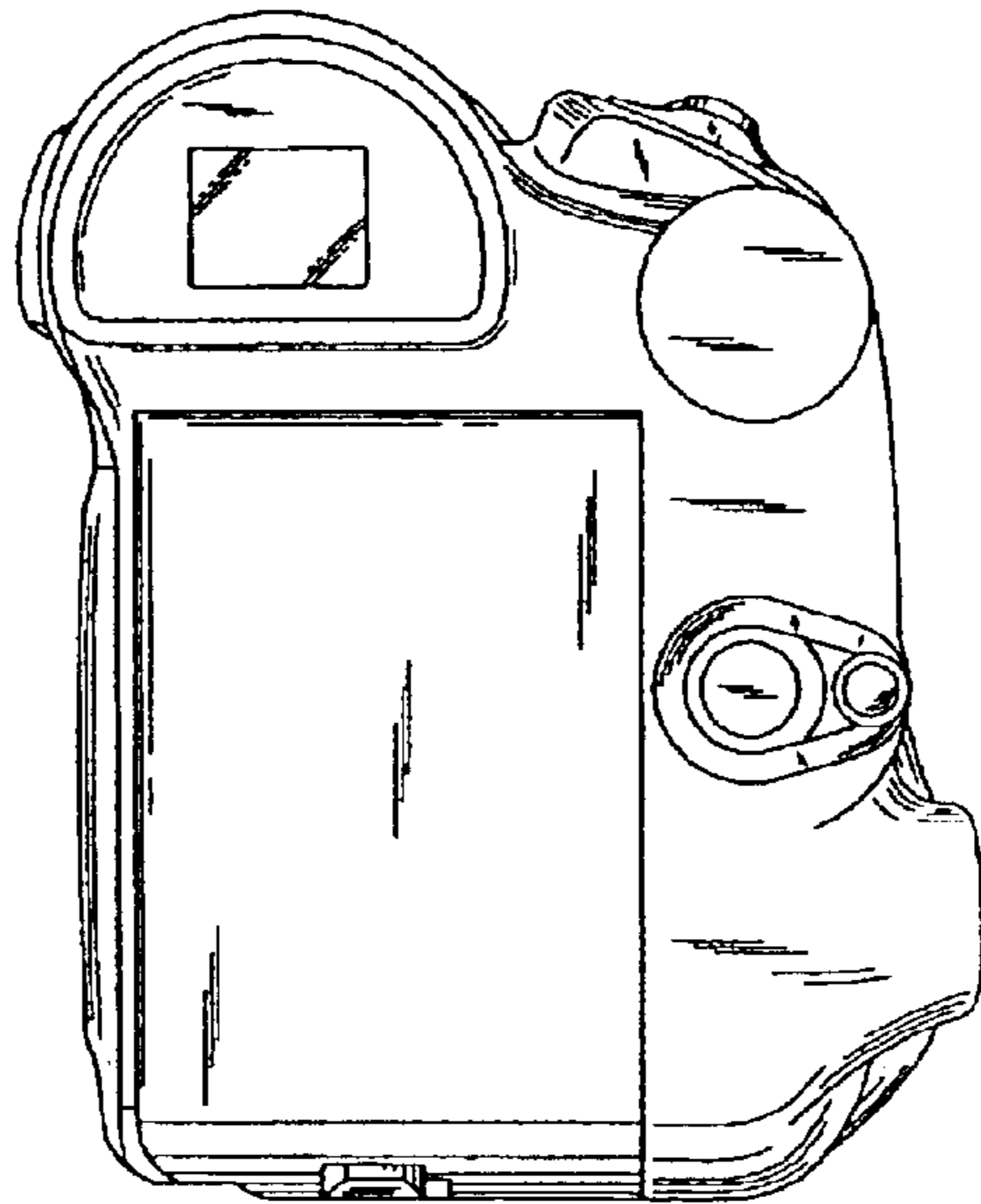


Fig.6

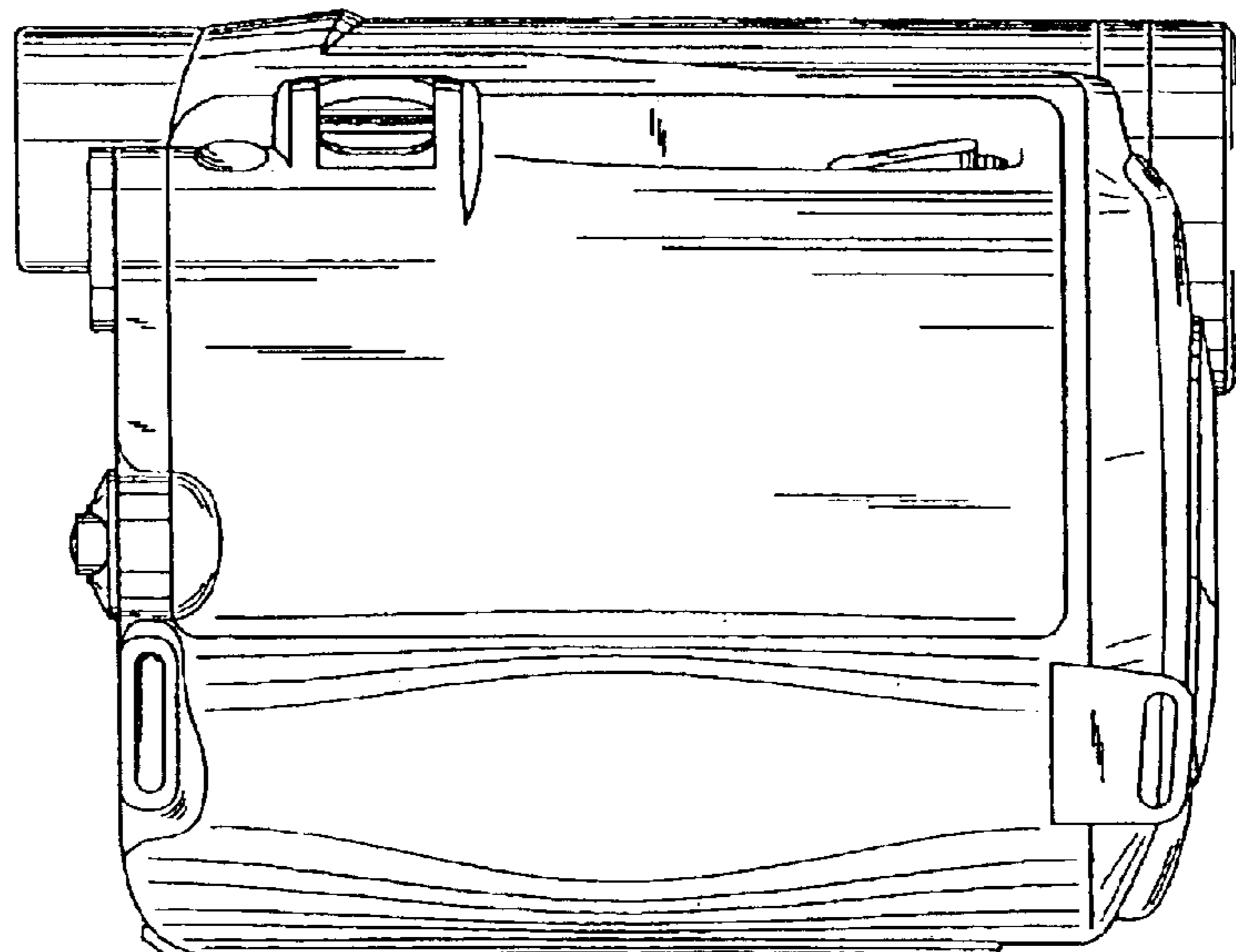


Fig7

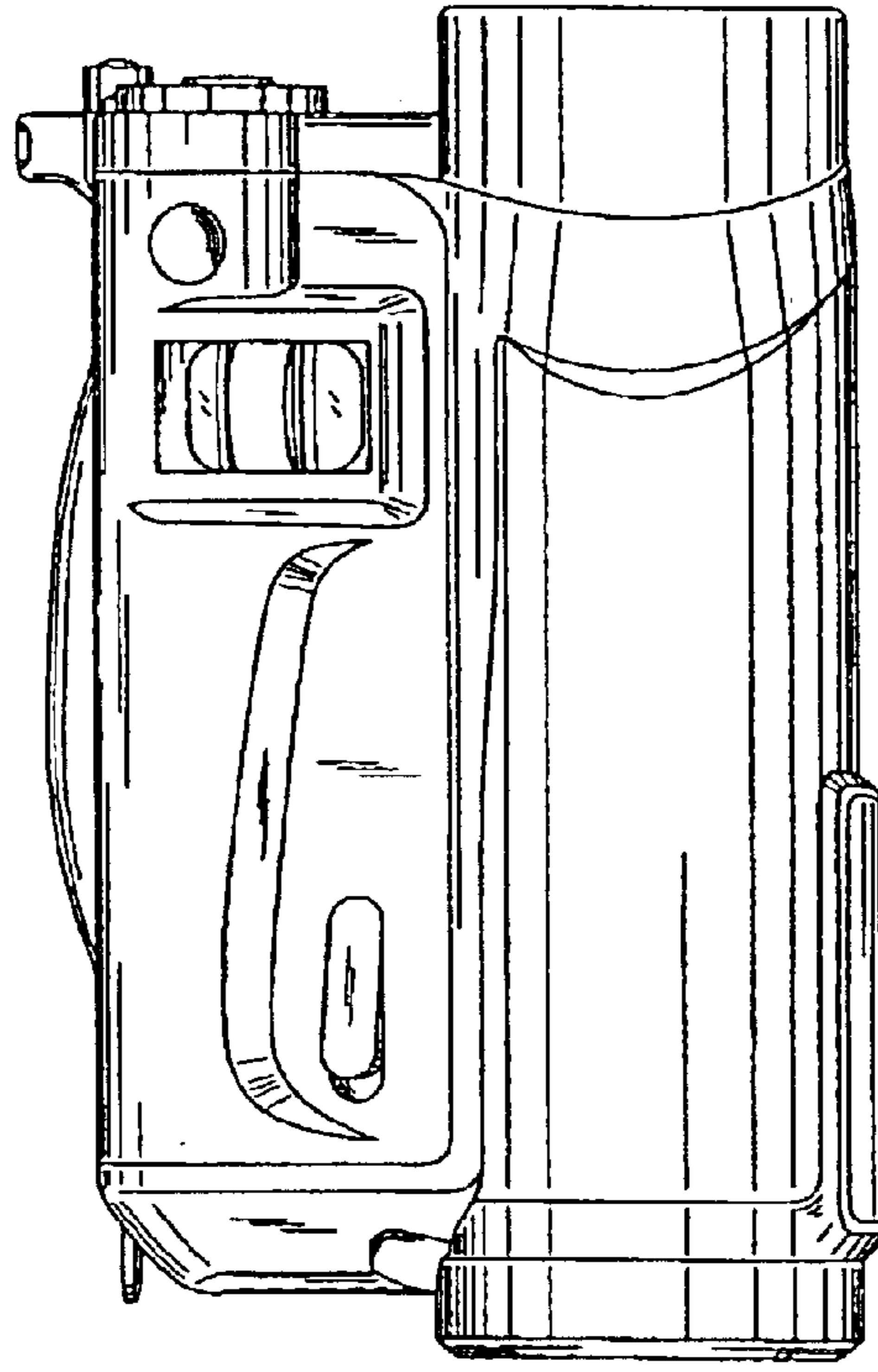


Fig8

