

US00D507288S

(12) **United States Design Patent**
Mok

(10) **Patent No.: US D507,288 S**

(45) **Date of Patent: ** Jul. 12, 2005**

(54) **EYEPIECE LENS HOLDER FOR TELESCOPE/SPOTTING SCOPE**

(76) **Inventor: Kwok Hoo Mok**, 1530 Eastwood Centre, 5 A Kung Ngam Village Road, Shaukeiwan, Hong Kong (CN)

(**) **Term: 14 Years**

(21) **Appl. No.: 29/208,660**

(22) **Filed: Jun. 30, 2004**

(51) **LOC (8) Cl. 16-06**

(52) **U.S. Cl. D16/132**

(58) **Field of Search** D16/130, 132, D16/134; D22/109, 108, 110; 42/122, 130, 143; 359/422, 428, 363, 372, 381, 384, 385, 391, 398, 835, 375, 513, 821, 656

(56) **References Cited**

U.S. PATENT DOCUMENTS

- 905,633 A * 12/1908 Bausch 359/821
- 3,507,561 A * 4/1970 Esmay 359/381
- 3,565,512 A * 2/1971 Peck 359/656
- D235,800 S * 7/1975 Van Exel D16/132
- 4,168,881 A * 9/1979 Rosenberger 359/381
- 4,451,126 A * 5/1984 Riesenberget al. 359/381

- 4,770,520 A * 9/1988 Hoogesteger 359/513
- 4,961,636 A * 10/1990 Gaul et al. 359/381
- 5,337,177 A * 8/1994 Toyoda et al. 359/384
- 6,236,503 B1 * 5/2001 Kaczynski et al. 359/391

* cited by examiner

Primary Examiner—Paula A. Greene

(74) *Attorney, Agent, or Firm*—Alix, Yale & Ristas, LLP

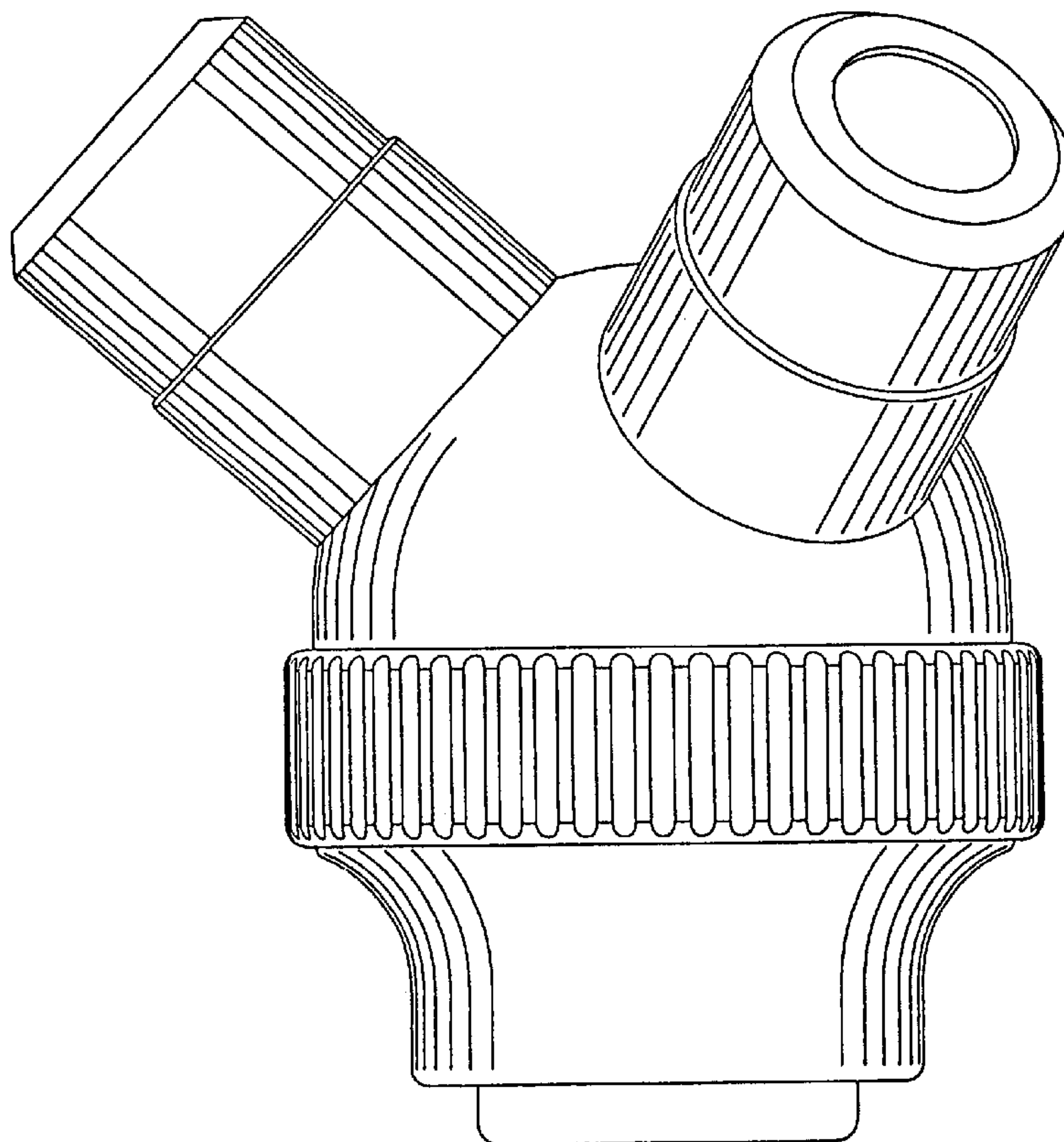
(57) **CLAIM**

The ornamental design for an eyepiece lens holder for telescope/spotting scope, as shown and described.

DESCRIPTION

FIG. 1 is a front view of the eyepiece lens holder for telescope/spotting scope showing my new design;
 FIG. 2 is a rear view of the eyepiece lens holder for telescope/spotting scope of FIG. 1;
 FIG. 3 is a left side view of the eyepiece lens holder for telescope/spotting scope of FIG. 1;
 FIG. 4 is a right side view of the eyepiece lens holder for telescope/spotting scope of FIG. 1;
 FIG. 5 is a top plan view of the eyepiece lens holder for telescope/spotting scope of FIG. 1; and,
 FIG. 6 is a bottom plan view of the eyepiece lens holder for telescope/spotting scope of FIG. 1.

1 Claim, 3 Drawing Sheets



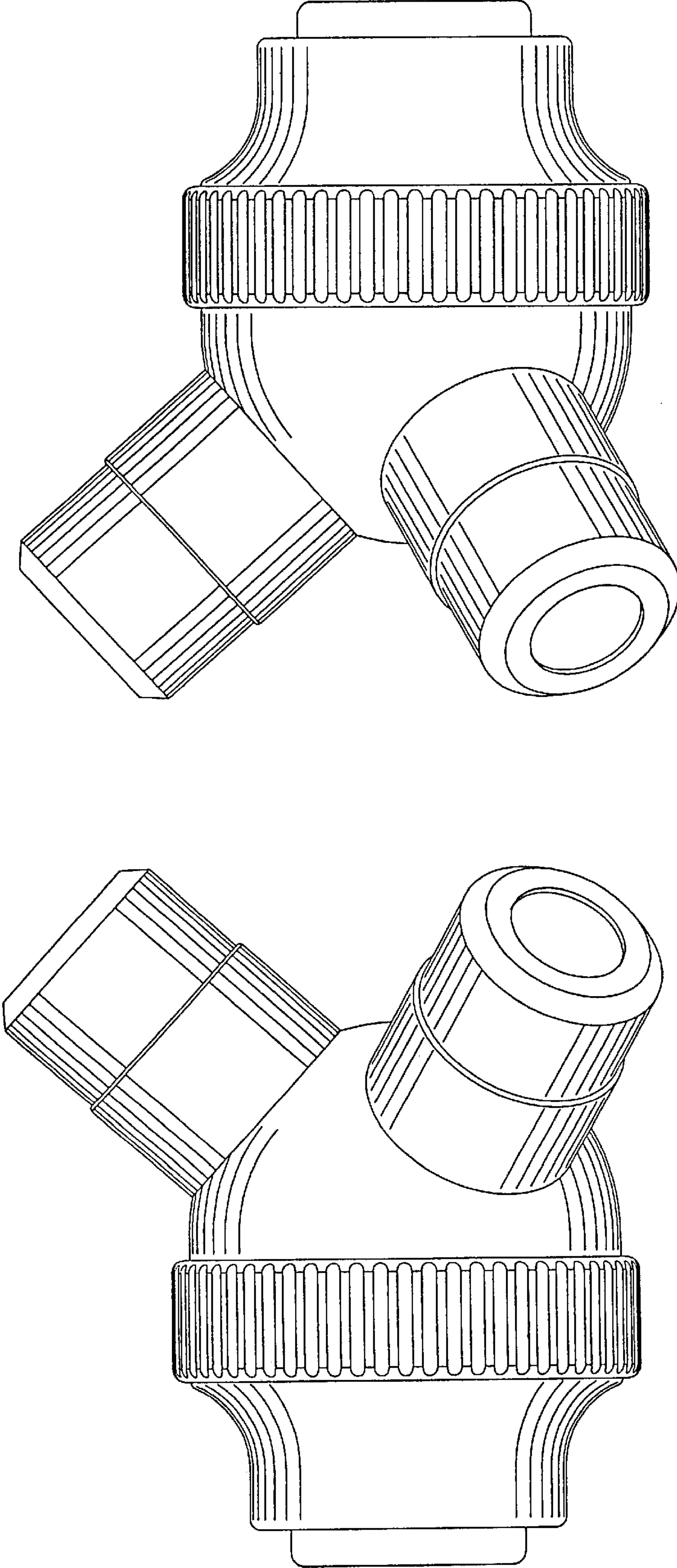


Fig. 2

Fig. 1

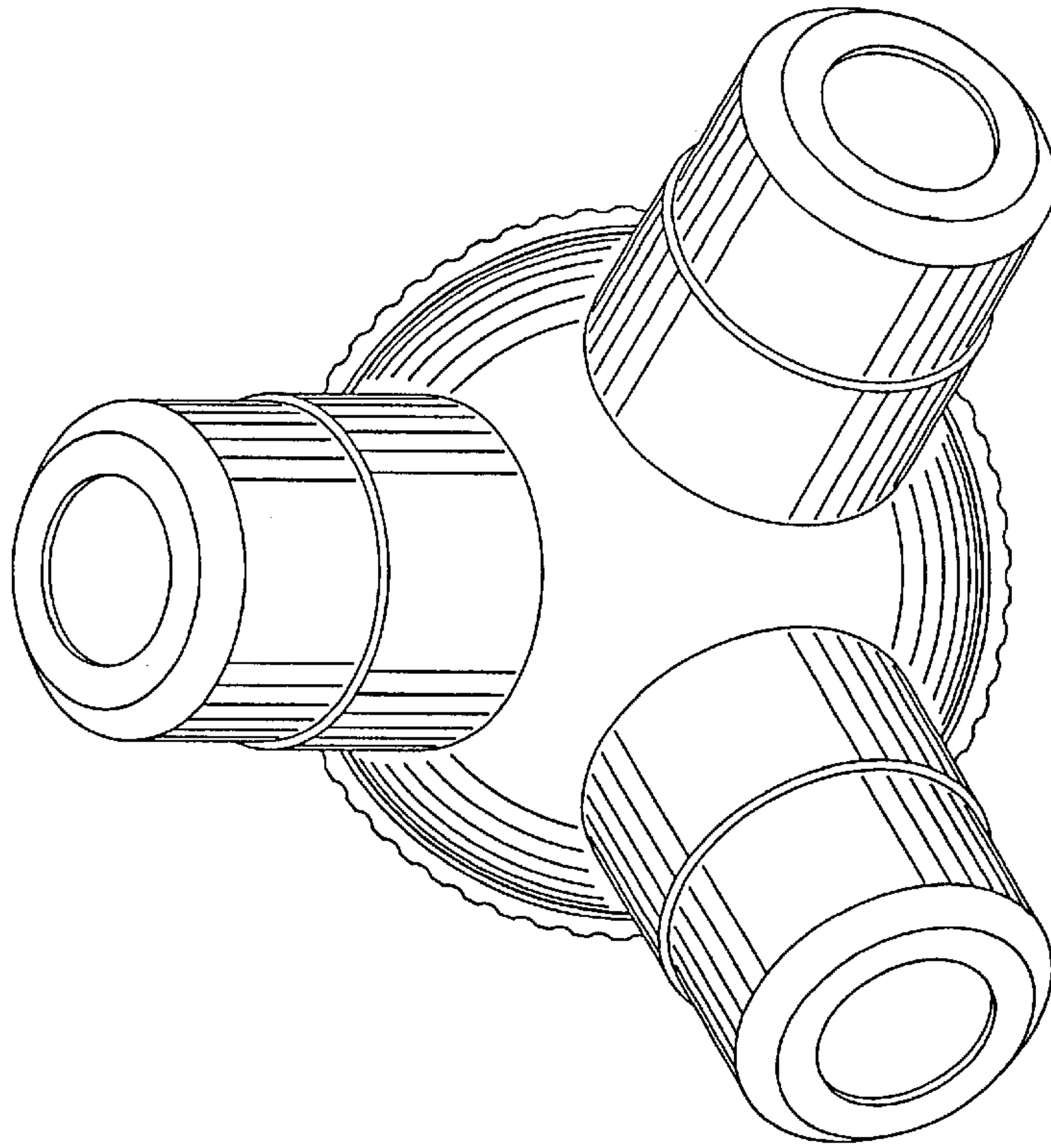


Fig. 4

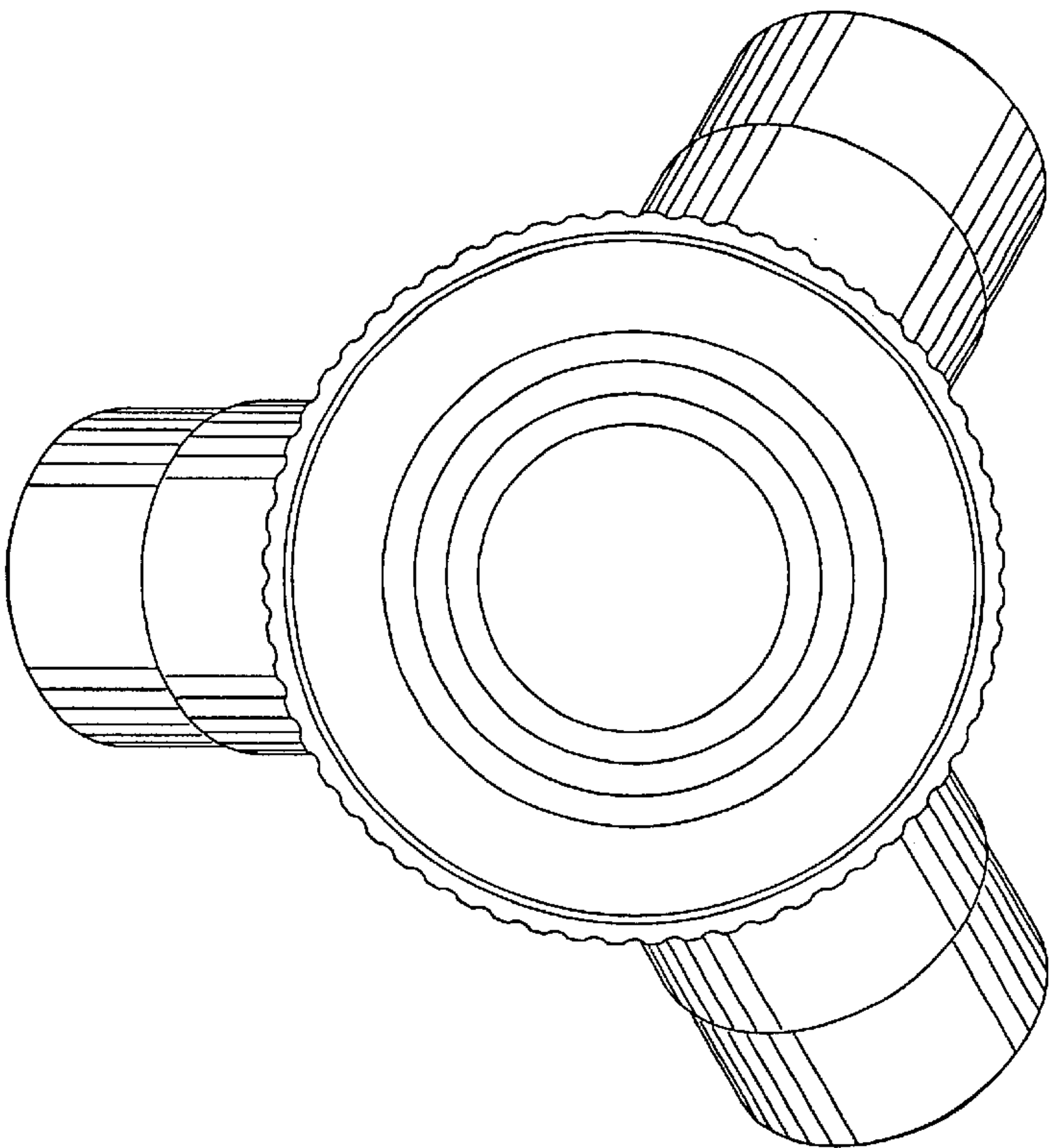


Fig. 3

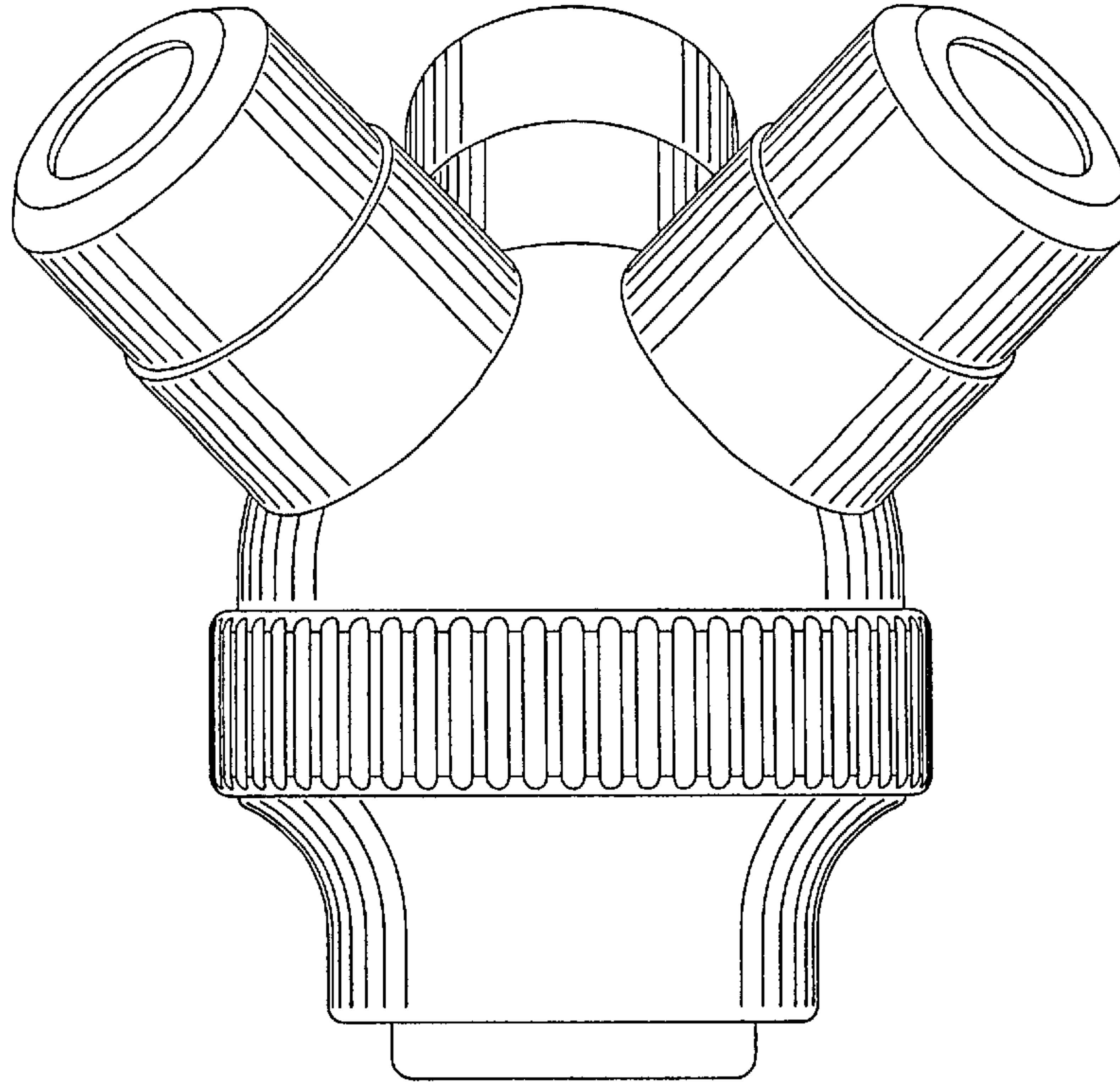


Fig. 6

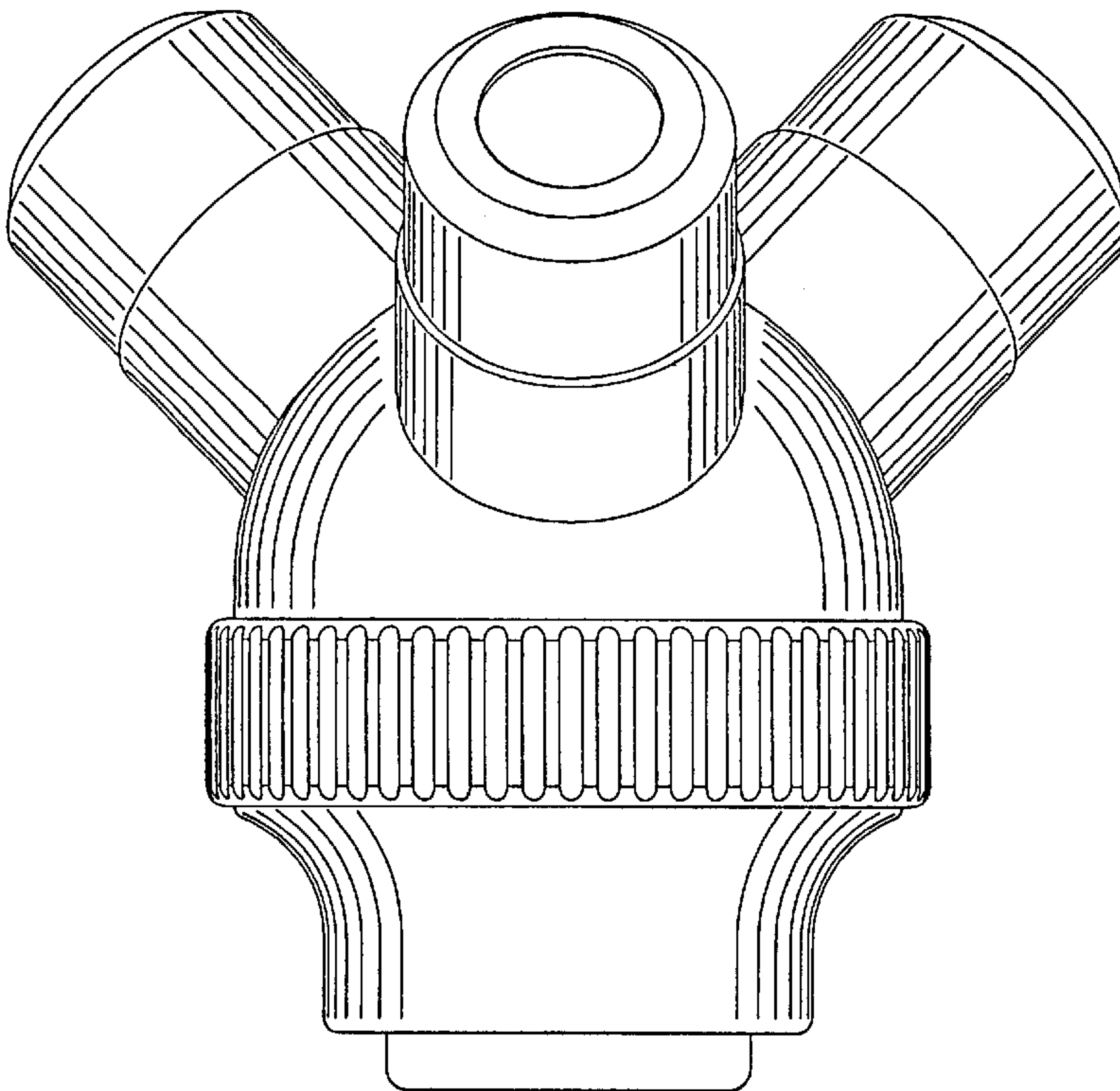


Fig. 5