

US00D507287S

(12) **United States Design Patent**
Saidman

(10) **Patent No.:** **US D507,287 S**
(45) **Date of Patent:** **** Jul. 12, 2005**

(54) **MODULE FOR DISPENSING ADHESIVES AND SEALANTS**

(75) **Inventor:** **Laurence B. Saidman, Duluth, GA (US)**

(73) **Assignee:** **Nordson Corporation, Westlake, OH (US)**

(**) **Term:** **14 Years**

(21) **Appl. No.:** **29/197,263**

(22) **Filed:** **Jan. 13, 2004**

(51) **LOC (8) Cl.** **15-09**

(52) **U.S. Cl.** **D15/144**

(58) **Field of Search** D15/144, 144.1, D15/144.2; 222/146.2, 48, 568; 239/128-135, 587.1, 587.5

(56) **References Cited**

U.S. PATENT DOCUMENTS

D354,295 S	*	1/1995	Walsh et al.	D15/144.2
D354,296 S	*	1/1995	Walsh	D15/144.2
D365,830 S	*	1/1996	Hubbard et al.	D15/144.2
D401,600 S	*	11/1998	Byerly et al.	D15/144.2
5,887,757 A	*	3/1999	Jenkins et al.	222/146.2
6,036,106 A	*	3/2000	Peet	239/135
6,125,787 A	*	10/2000	Mochizuki	239/537
6,149,076 A	*	11/2000	Riney	239/135

OTHER PUBLICATIONS

HME-500 gun. Hot-melt dot and line application gun (2 pg. brochure); Published at least as of Oct. 10, 2002; HHS Leimauftrags-Systeme GmbH; Germany.

Photo of the HME-500 Gun.

Drawing of a module of the HME-500 Gun.

* cited by examiner

Primary Examiner—Antoine D. Davis

(74) *Attorney, Agent, or Firm*—Raymond J. Slattery, III

(57) **CLAIM**

The ornamental design for a module for dispensing adhesives and sealants, as shown and described.

DESCRIPTION

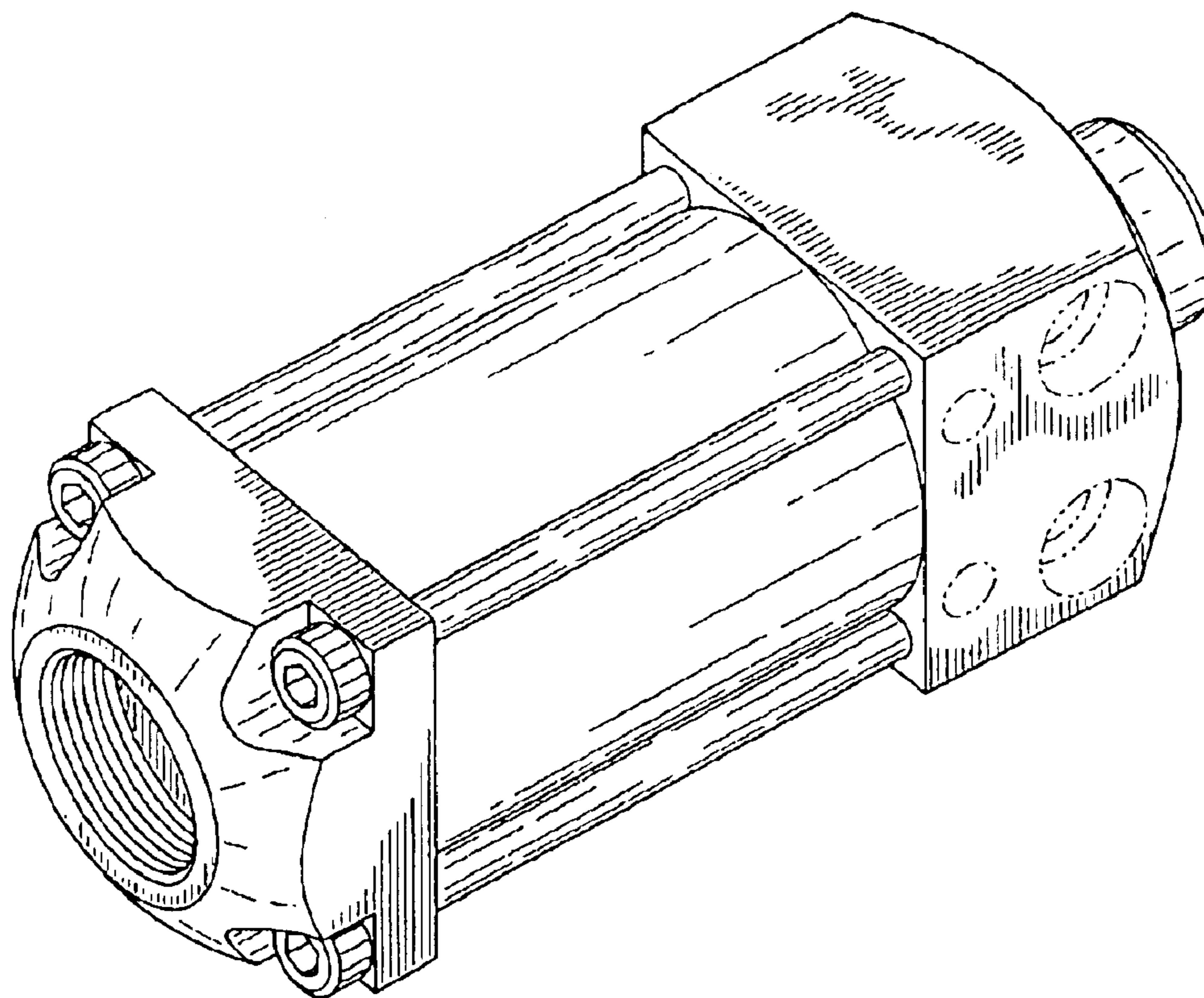
FIG. 1 is a perspective view of the new design for a module for dispensing adhesives and sealants;

FIG. 2 is a top plan view of the module as oriented in FIG. 1 wherein the bottom and back views are identical to that shown;

FIG. 3 is a front view of the module as oriented in FIG. 1; FIG. 4 is a left side elevational view of the module as oriented in FIG. 3; and,

FIG. 5 is a right side elevational view of the module as oriented in FIG. 3.

1 Claim, 2 Drawing Sheets



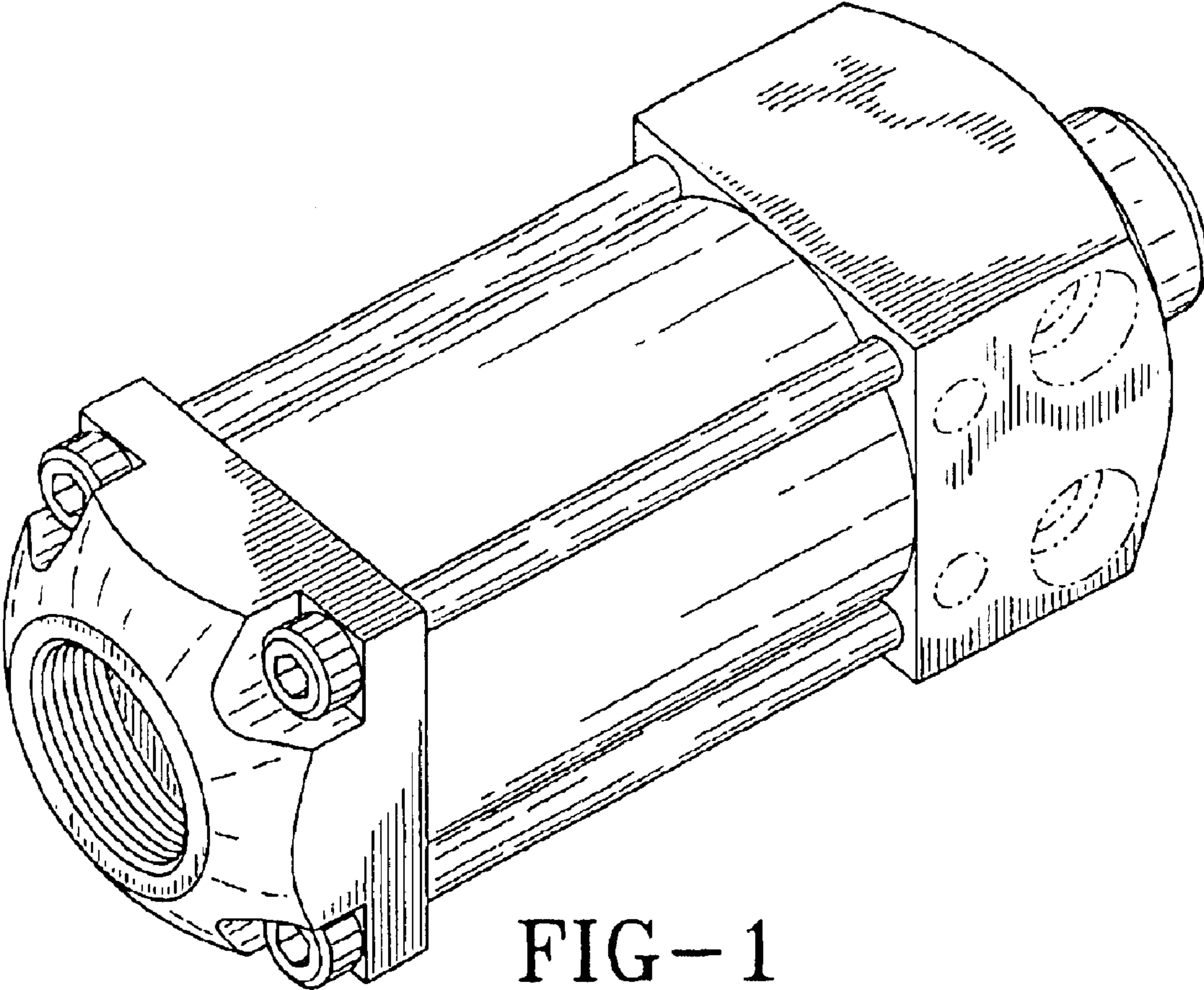


FIG-1

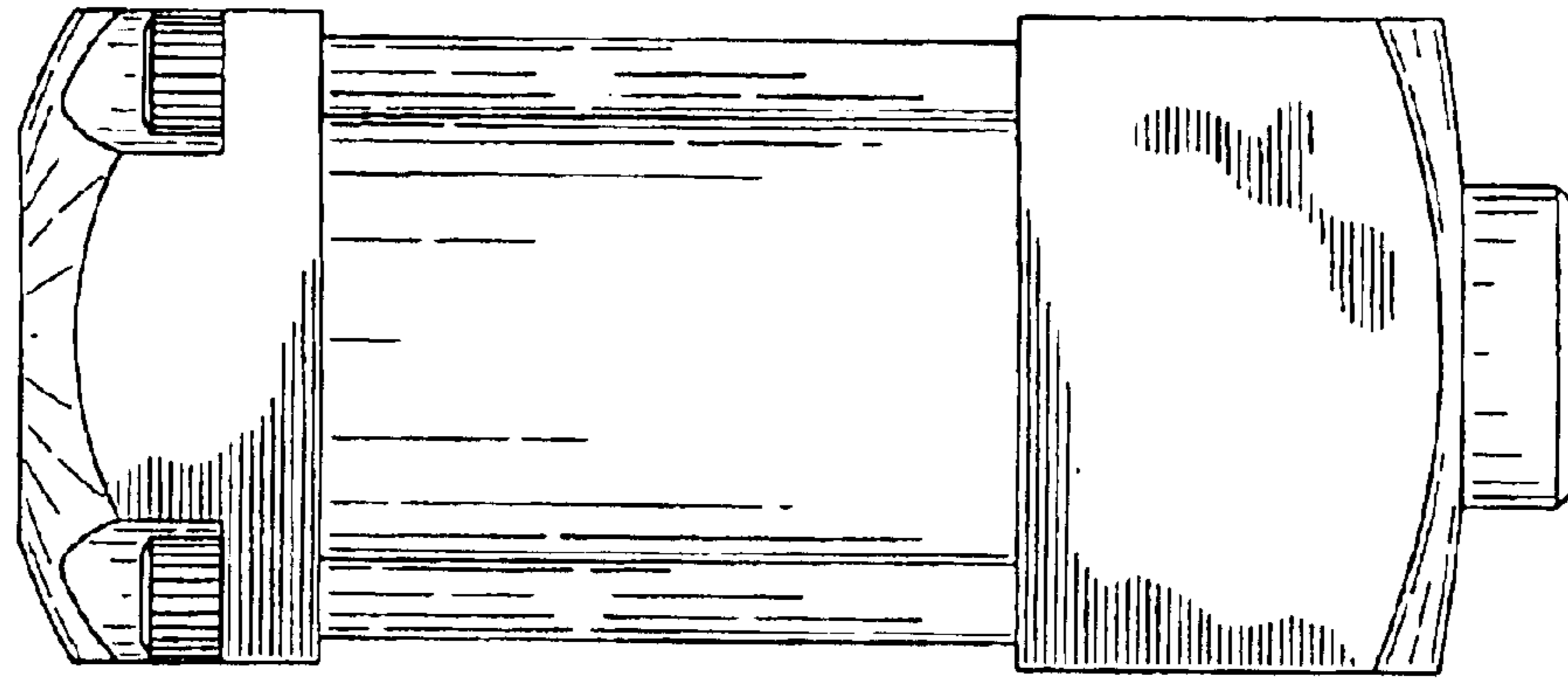


FIG-2

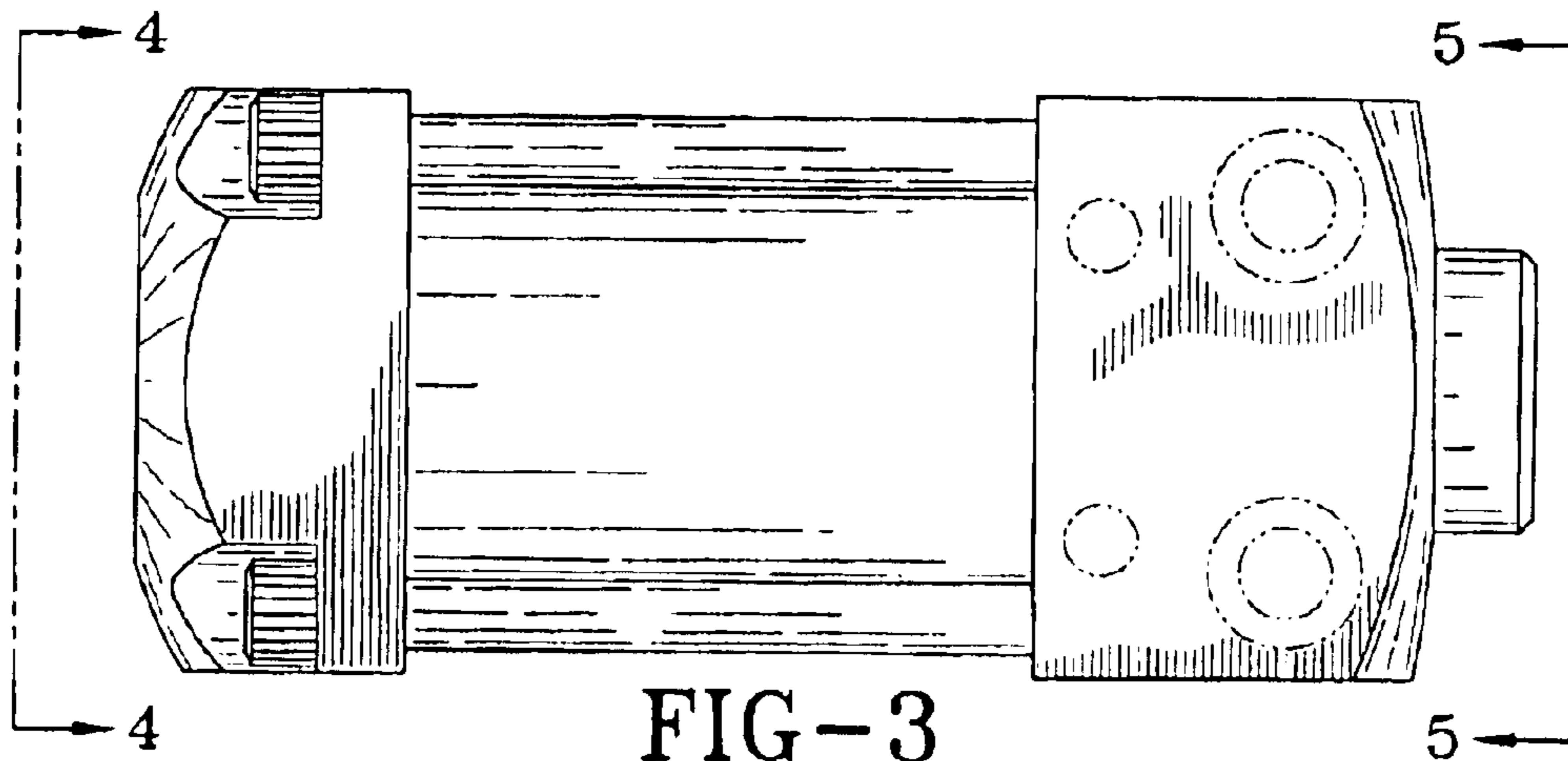


FIG-3

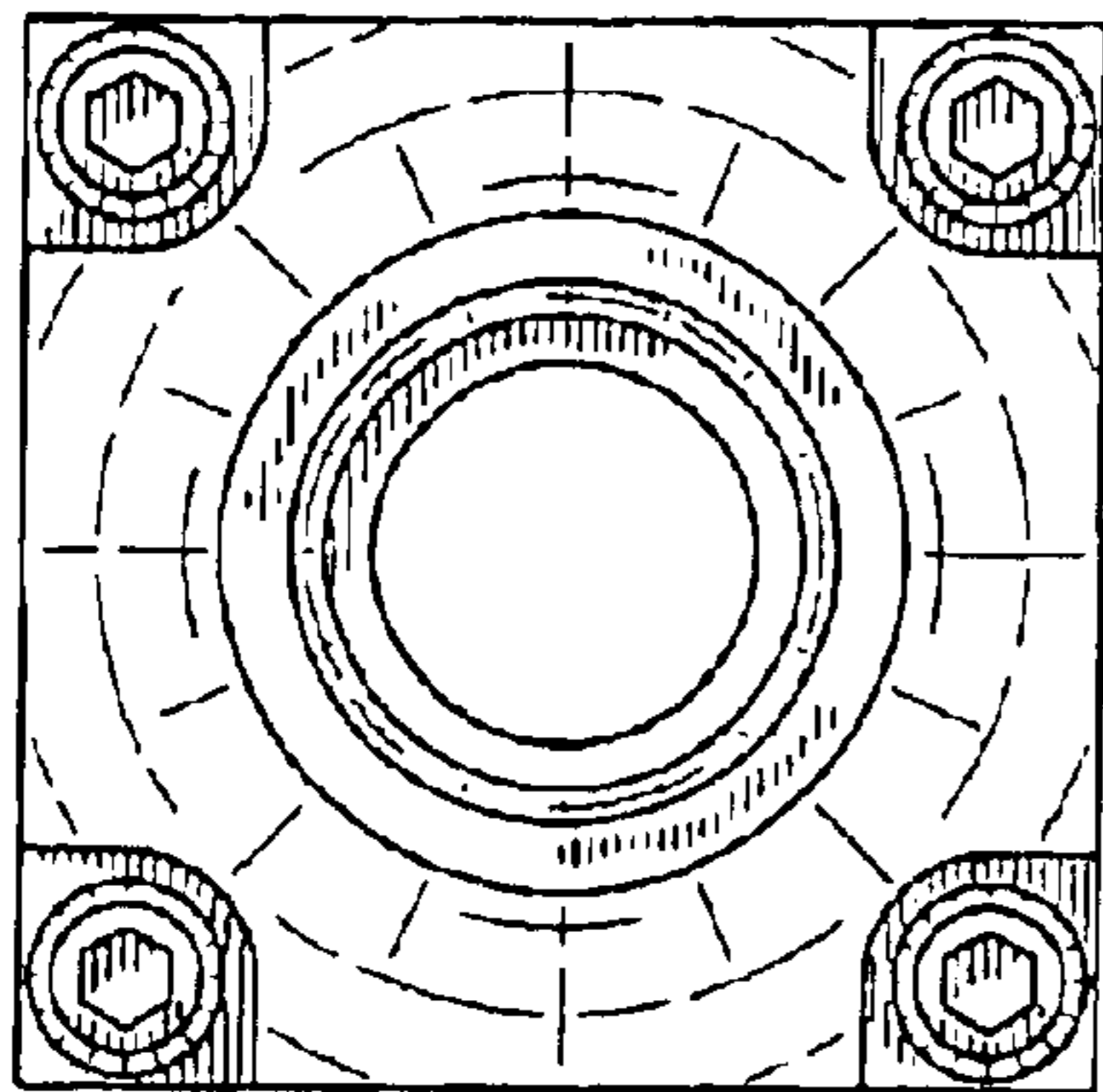


FIG-4

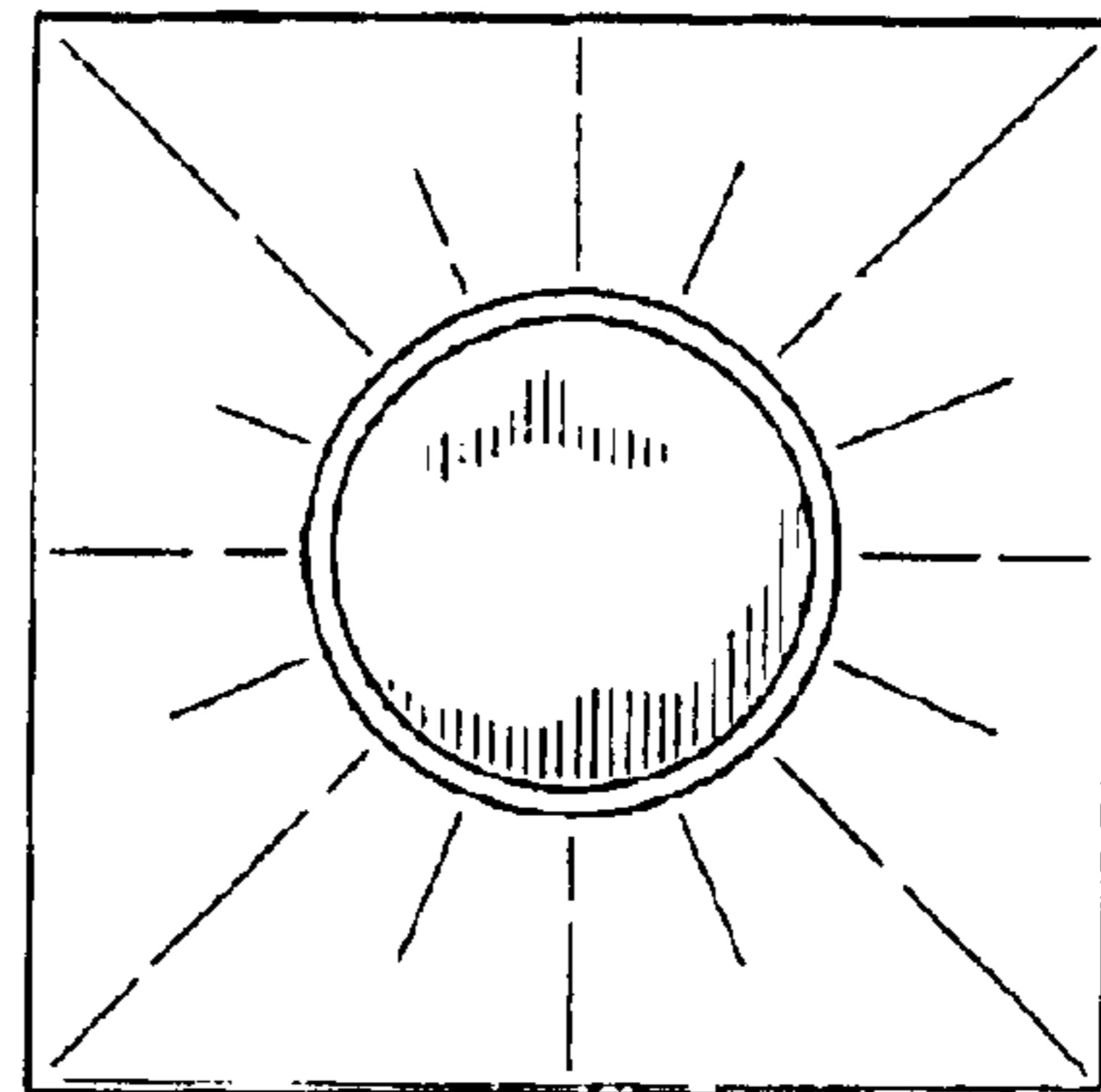


FIG-5