

US00D507286S

(12) **United States Design Patent** (10) **Patent No.:** **US D507,286 S**
Ceroll et al. (45) **Date of Patent:** **** Jul. 12, 2005**

(54) **PORTIONS OF A TABLE SAW**

(75) Inventors: **Warren A. Ceroll**, Owings Mill, MD (US); **Robert S. Gehret**, Hampstead, MD (US); **Daniel Puzio**, Baltimore, MD (US); **Frederick R. Bean**, Finksburg, MD (US); **Michael L. O'Banion**, Westminster, MD (US); **David A. Porter**, Hanover, PA (US); **Daniel A. Ferrara, Jr.**, Bantam, CT (US)

(73) Assignee: **Black & Decker Inc.**, Newark, DE (US)

(**) Term: **14 Years**

(21) Appl. No.: **29/204,050**

(22) Filed: **Apr. 23, 2004**

Related U.S. Application Data

(63) Continuation of application No. 29/182,798, filed on Jun. 2, 2003, now Pat. No. Des. 492,707, which is a continuation of application No. 29/166,880, filed on Sep. 5, 2002, now Pat. No. Des. 478,917, which is a continuation of application No. 29/153,581, filed on Jan. 9, 2002, now Pat. No. Des. 466,913, which is a continuation of application No. 29/140,610, filed on Apr. 20, 2001, now Pat. No. Des. 458,281, which is a continuation of application No. 29/126,986, filed on Jul. 27, 2000, now Pat. No. Des. 444,485, which is a continuation of application No. 29/118,568, filed on Feb. 9, 2000, now Pat. No. Des. 445,119, which is a continuation of application No. 29/105,292, filed on May 21, 1999, now Pat. No. Des. 425,918, which is a continuation of application No. 29/096,838, filed on Nov. 20, 1998, now Pat. No. Des. 414,786, which is a continuation of application No. 29/090,751, filed on Jul. 15, 1998, now Pat. No. Des. 407,725, which is a continuation of application No. 29/083,053, filed on Jan. 20, 1998, now Pat. No. Des. 410,474, which is a continuation of application No. 29/070,477, filed on May 8,

1997, now Pat. No. Des. 395,322, which is a continuation of application No. 29/057,853, filed on Aug. 1, 1996, now Pat. No. Des. 394,071, which is a continuation of application No. 29/051,851, filed on Mar. 1, 1996, now abandoned.

(51) **LOC (8) CI.** **15-09**
(52) **U.S. CI.** **D15/133**
(58) **Field of Search** D15/133; 83/432, 83/435, 477, 477.2, 478, 522.3, 522.1; 269/318, 165, 180

(56) **References Cited**

U.S. PATENT DOCUMENTS

D395,322 S * 6/1998 Ceroll et al. D15/133
D425,529 S * 5/2000 Svetlik D15/133
D437,605 S * 2/2001 Schoene et al. D15/133
D461,833 S * 8/2002 Gist et al. D15/133

* cited by examiner

Primary Examiner—Antoine D. Davis

(74) *Attorney, Agent, or Firm*—Adan Ayala

(57) **CLAIM**

The ornamental design for portions of a table saw, as shown and described.

DESCRIPTION

FIG. 1 is a right side elevational view portions of a table saw showing our new design. FIG. 2 is a rear elevational view of the portions; and, FIG. 3 is a front perspective view from the left side of the portions. In the above drawings, any broken line illustration is not part of the design sought to be patented. In addition, any views not shown thereof do not form a part of the invention.

1 Claim, 3 Drawing Sheets

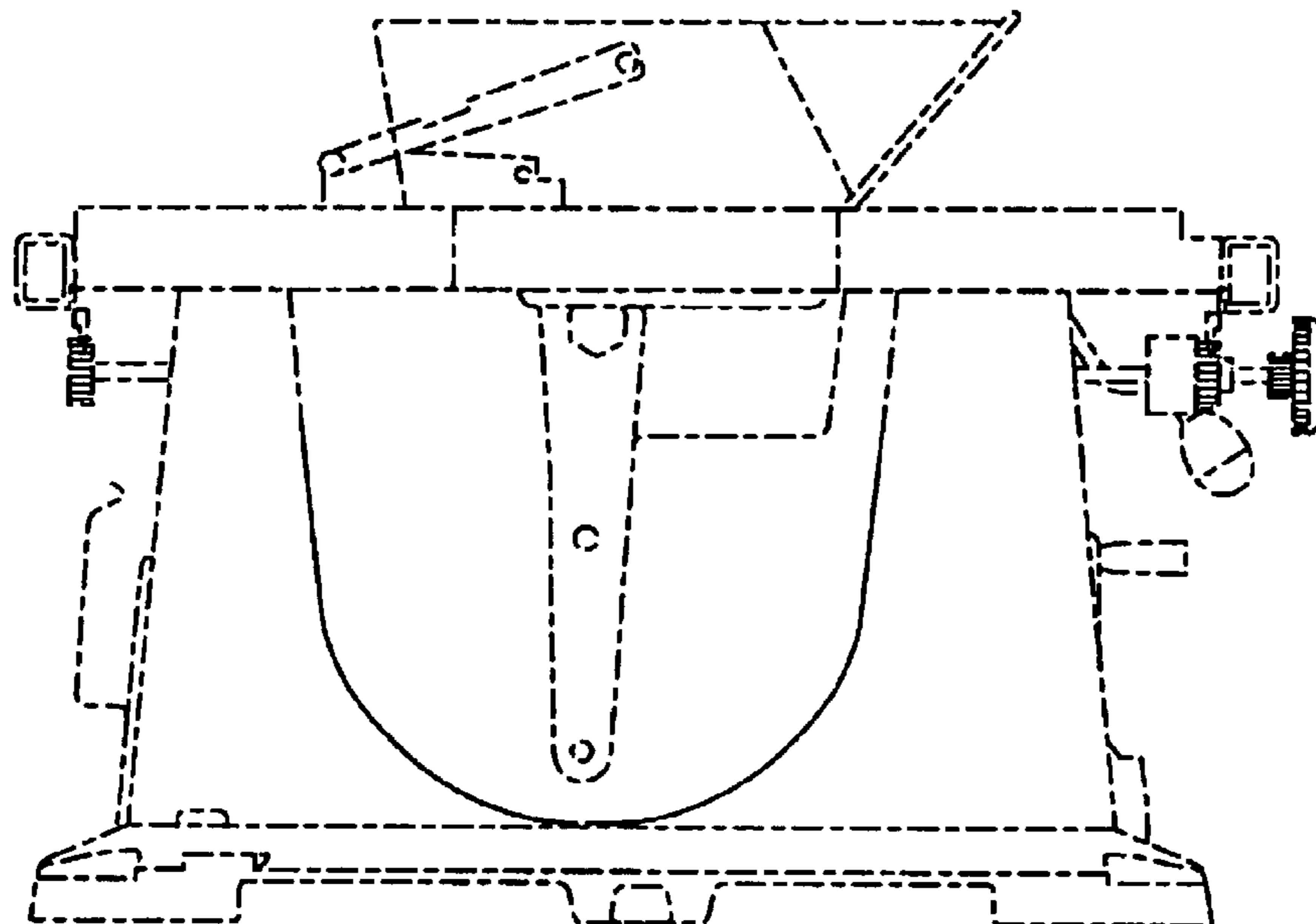


FIG. 1

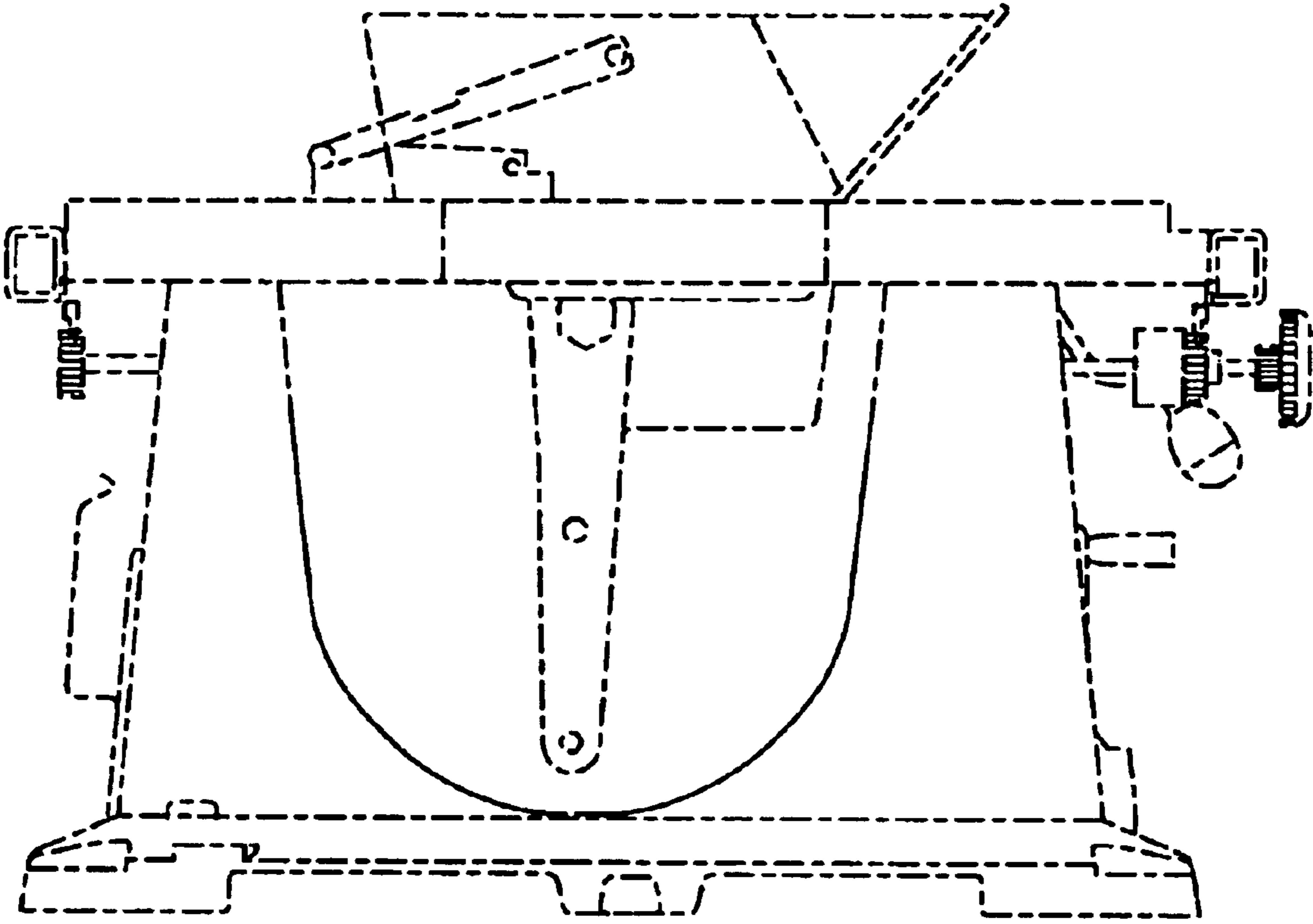


FIG. 2

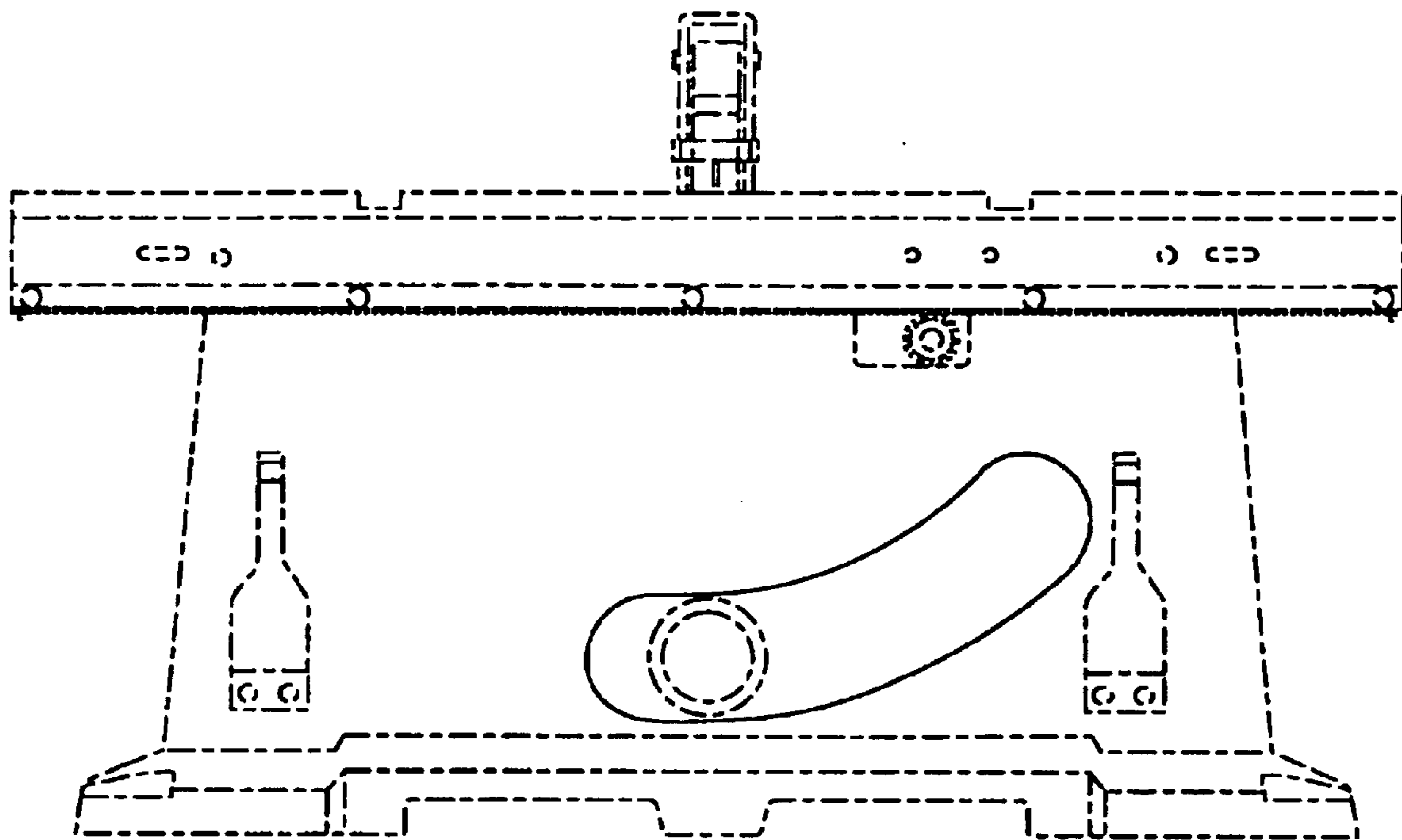


FIG. 3

