

US00D507281S

(12) **United States Design Patent**
Komatsu et al.

(10) **Patent No.: US D507,281 S**
(45) **Date of Patent: ** Jul. 12, 2005**

(54) **CRAWLER TRACTOR**

(75) Inventors: **Masakazu Komatsu, Osaka (JP);
Kazuhisa Yokoyama, Osaka (JP);
Mitsuyuki Hatanaka, Osaka (JP)**

(73) Assignee: **Yanmar Co., Ltd., Osaka (JP)**

(**) Term: **14 Years**

(21) Appl. No.: **29/216,855**

(22) Filed: **Nov. 10, 2004**

Related U.S. Application Data

(63) Continuation of application No. 29/197,817, filed on Jan. 22, 2004, now Pat. No. Des. 499,748.

(51) **LOC (8) Cl. 15-03**

(52) **U.S. Cl. D15/30**

(58) **Field of Search D15/22-26, 30,
D15/33; 180/89.1, 89.12, 900**

(56) **References Cited**

U.S. PATENT DOCUMENTS

D345,741 S * 4/1994 Mullett et al. D15/23
D364,879 S * 12/1995 Bastian et al. D15/24
D386,769 S * 11/1997 Gibbons D15/23

D450,067 S * 11/2001 Murakami et al. D15/25
D474,481 S * 5/2003 Hara D15/25
D481,398 S * 10/2003 Tokach et al. D15/30
D483,043 S * 12/2003 Akashima et al. D15/24
D487,100 S * 2/2004 Tokach et al. D15/30
D499,748 S * 12/2004 Komatsu et al. D15/24

* cited by examiner

Primary Examiner—Mitchell Siegel

(74) *Attorney, Agent, or Firm*—Sterne, Kessler, Goldstein & Fox PLLC

(57) **CLAIM**

The ornamental design for a crawler tractor, as shown and described.

DESCRIPTION

FIG. 1 is a perspective view of a crawler tractor showing a new design;

FIG. 2 is a right side view thereof;

FIG. 3 is a left side view thereof;

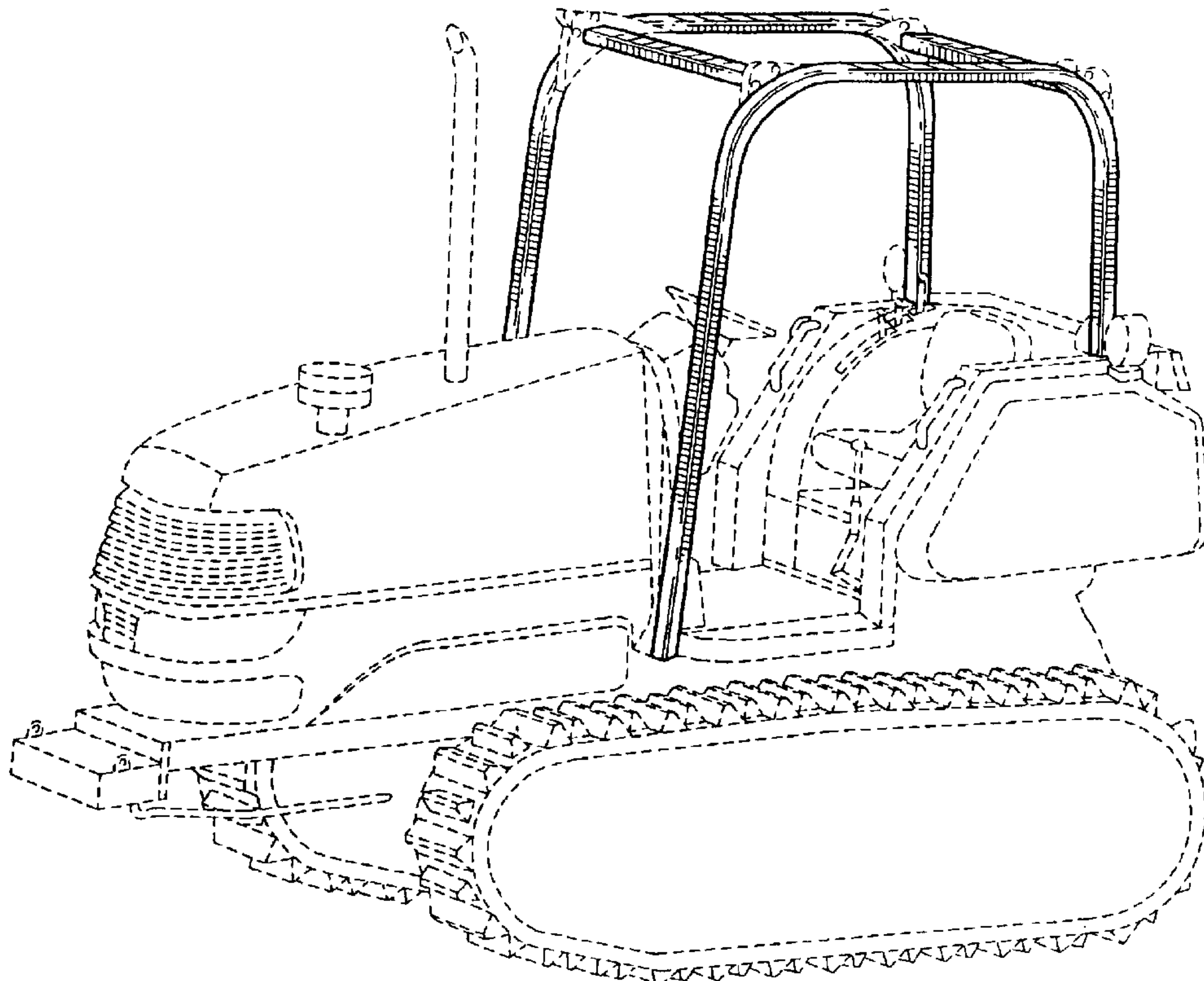
FIG. 4 is a front side view thereof;

FIG. 5 is a rear side view thereof; and,

FIG. 6 is a top plan view thereof.

The broken line is environmental only and forms no part of the claimed design.

1 Claim, 6 Drawing Sheets



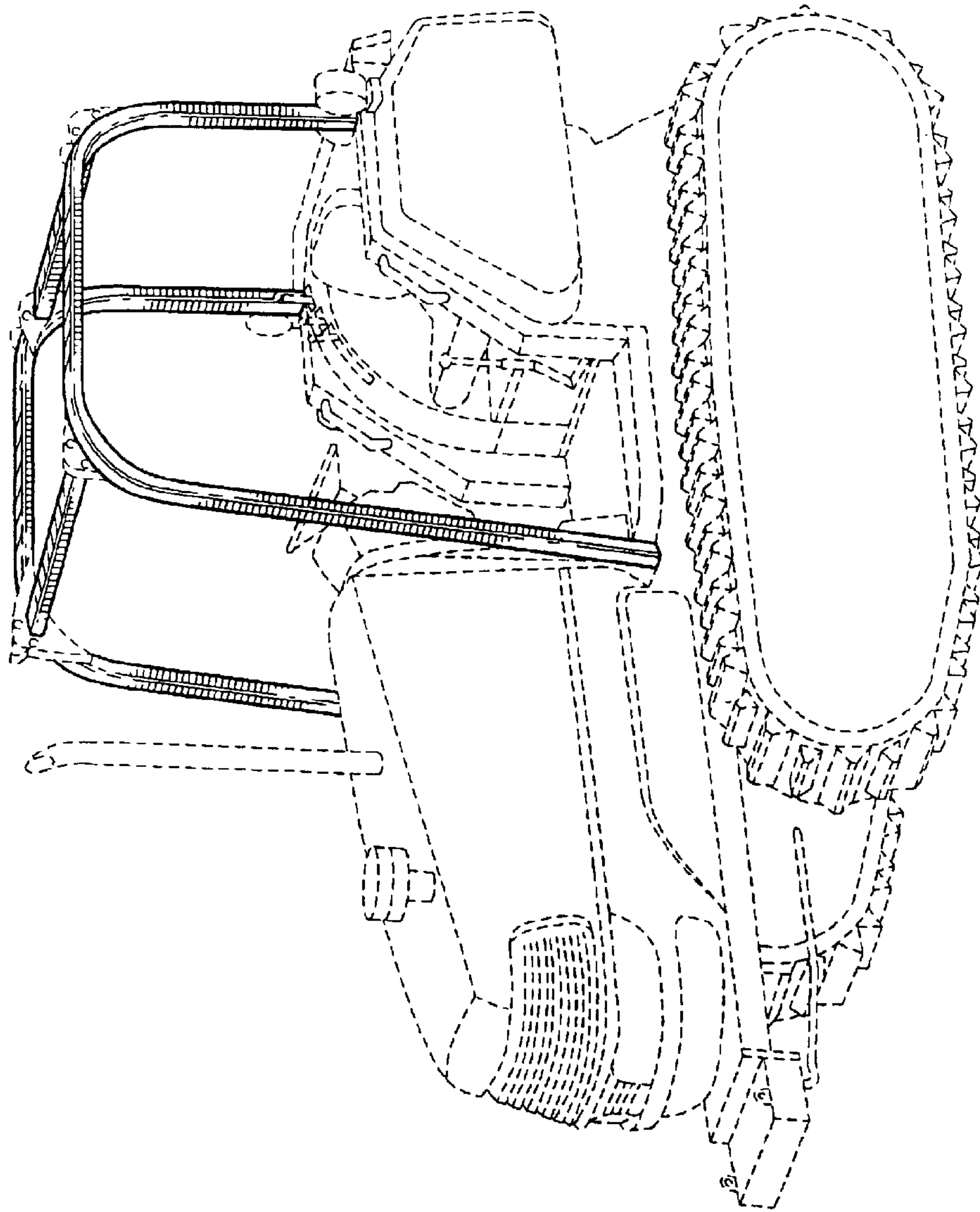


FIG. 1

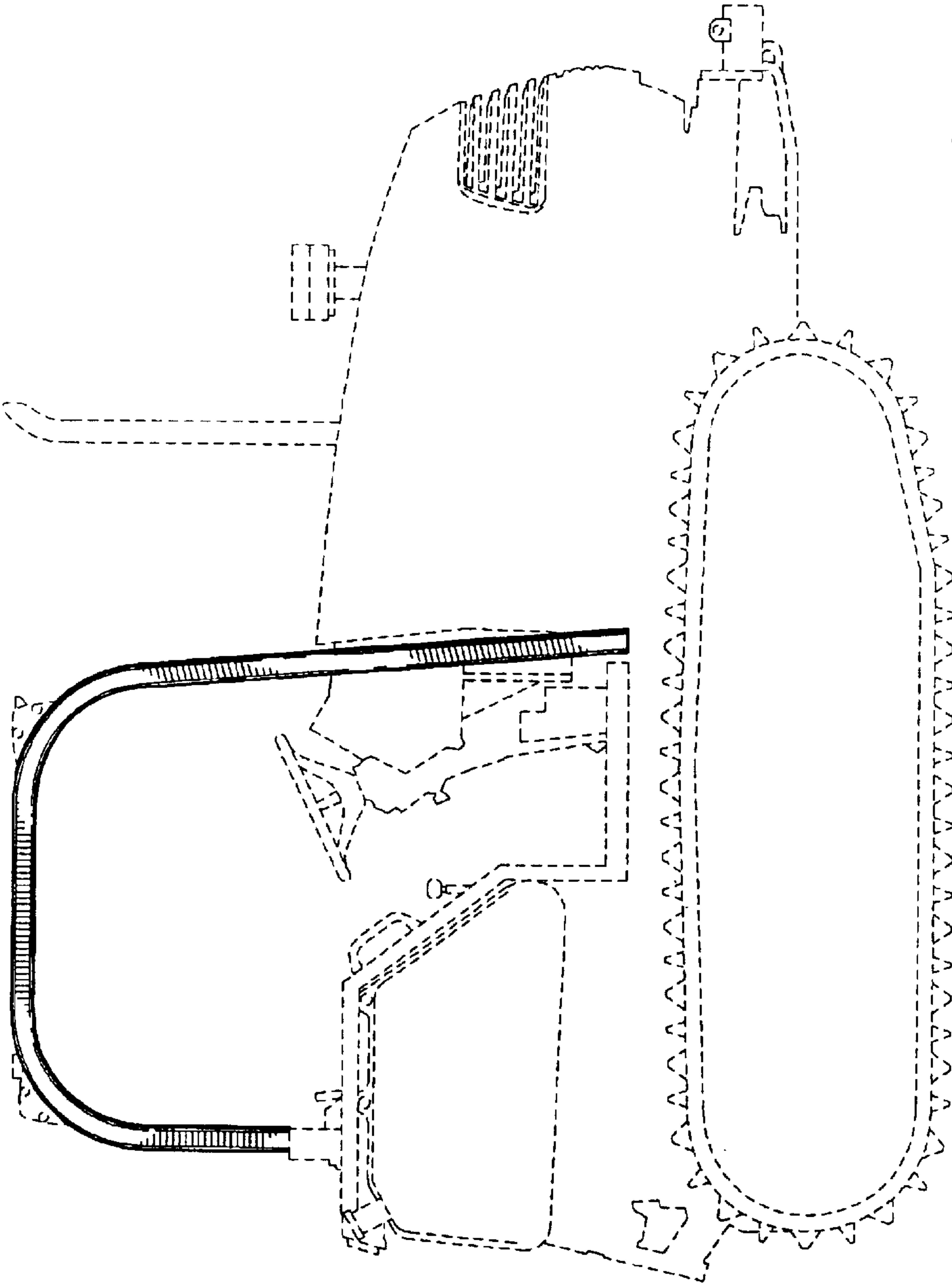


FIG.2

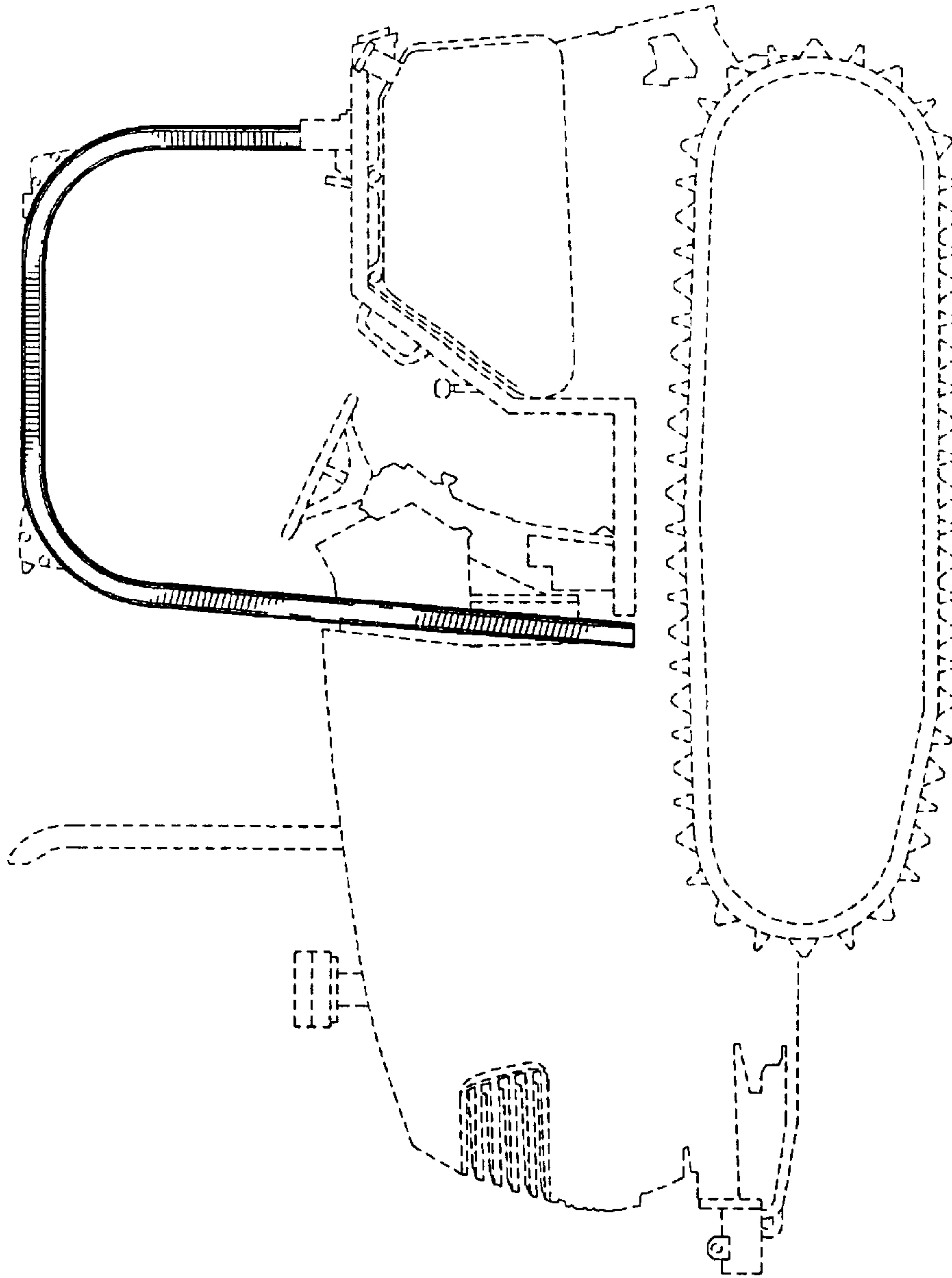


FIG.3

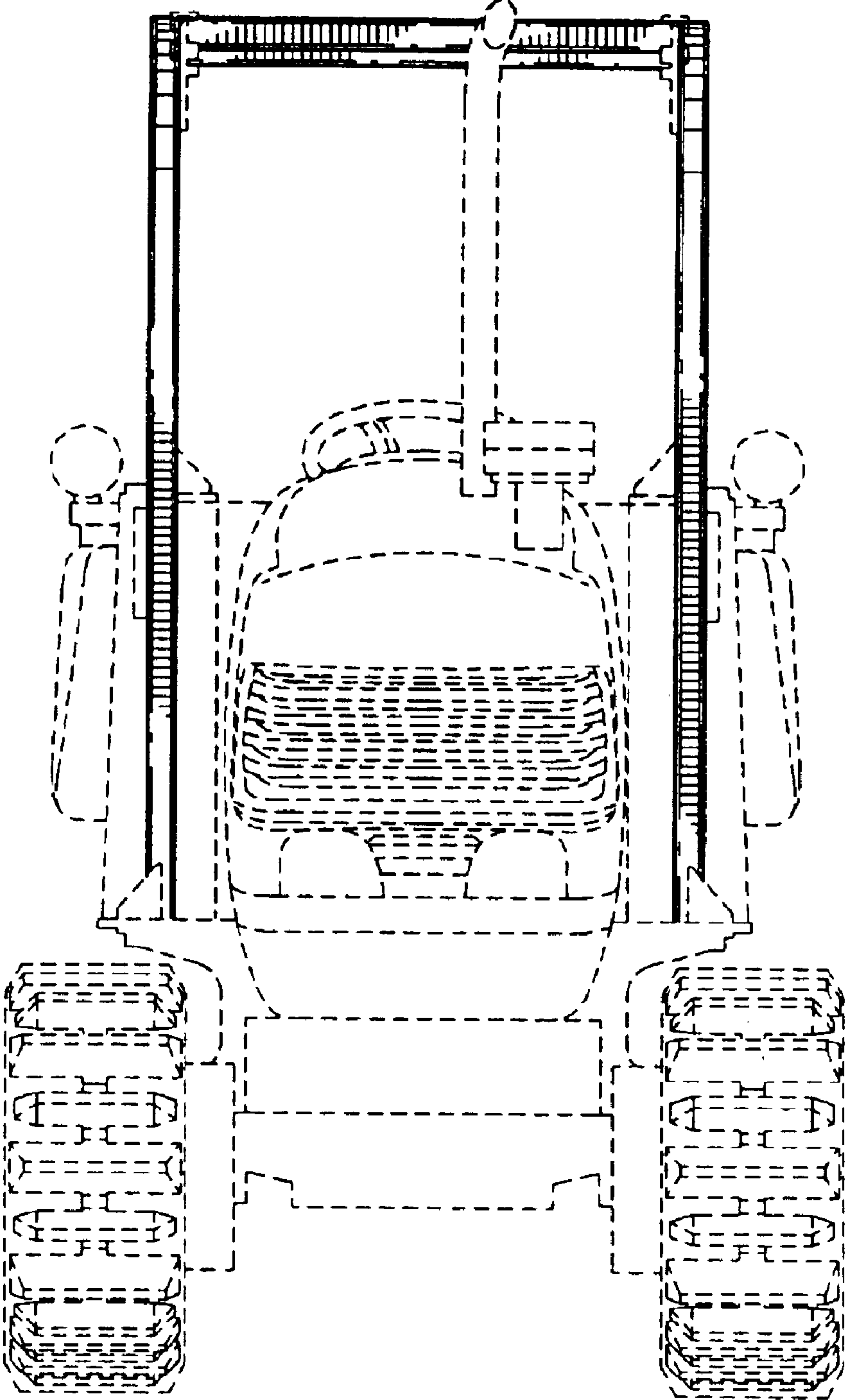


FIG. 4

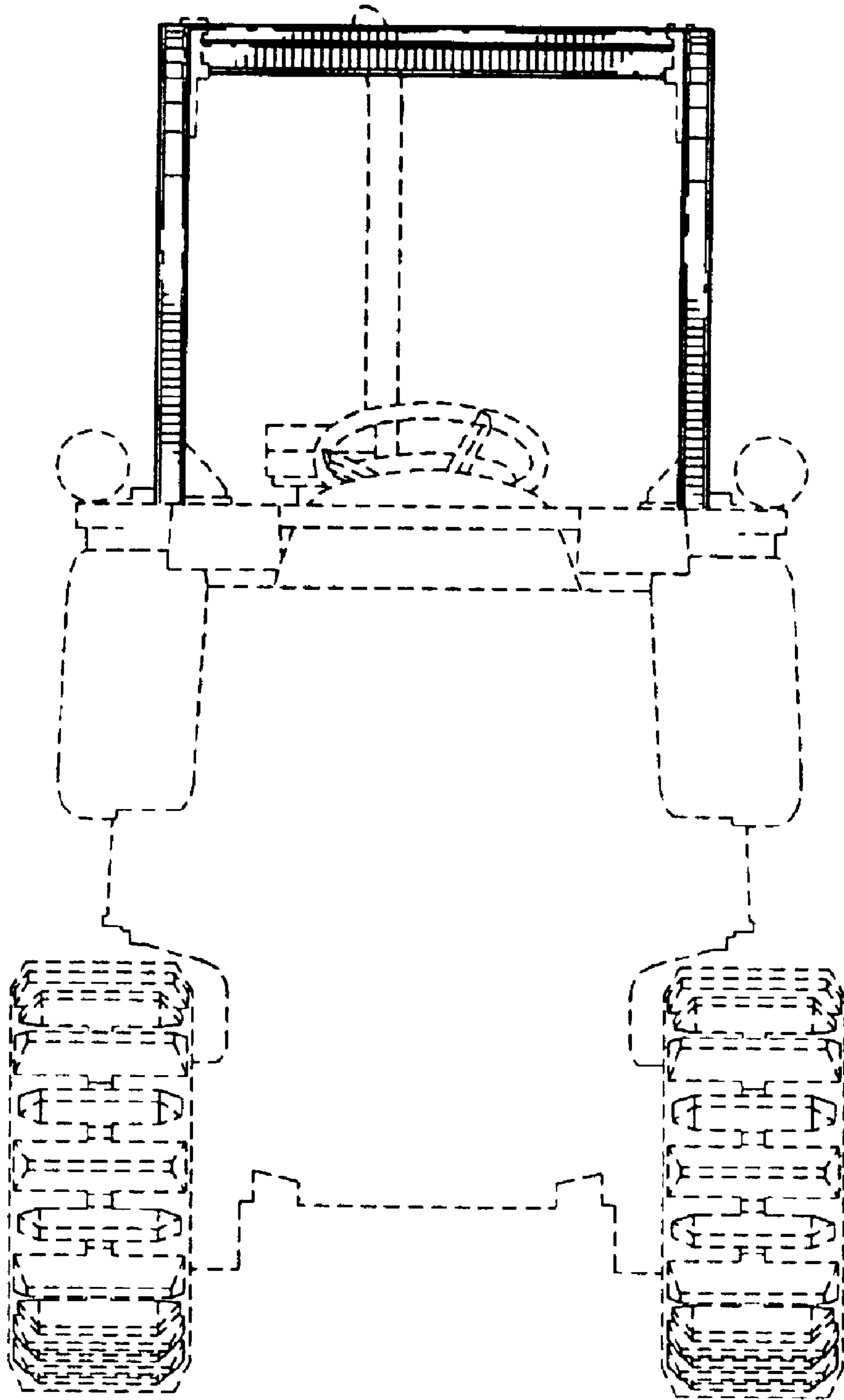


FIG. 5

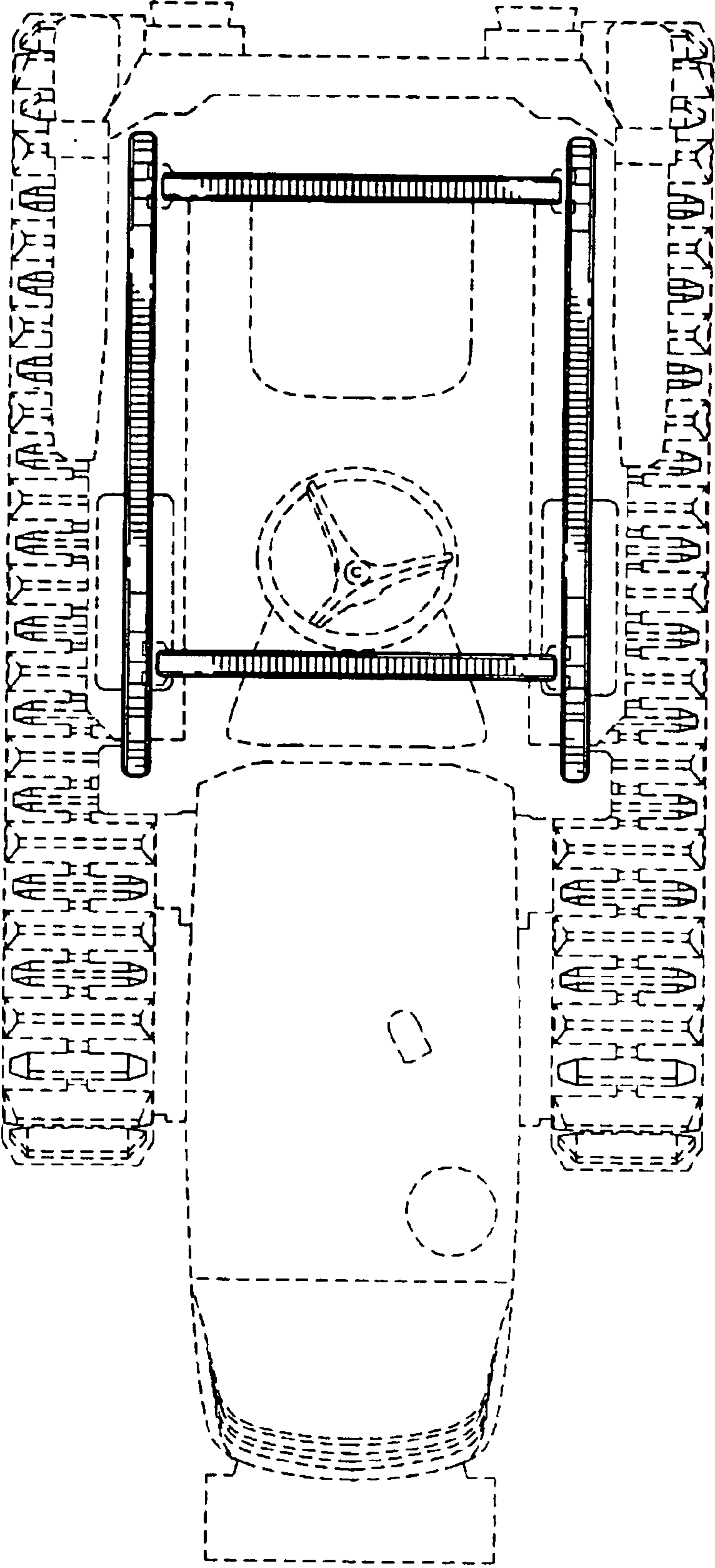


FIG. 6