

US00D507280S

(12) **United States Design Patent**
Chu et al.

(10) **Patent No.:** **US D507,280 S**

(45) **Date of Patent:** **** Jul. 12, 2005**

(54) **END CAP FOR AIR COMPRESSOR**

D349,710 S * 8/1994 Moro D15/7
D490,819 S * 6/2004 Wahlberg D15/7
D494,192 S * 8/2004 Hirakawa et al. D15/7

(76) Inventors: **Henry C. Chu**, 135 N., Lemon St.,
Orange, CA (US) 92866; **Taek Kyun
Nam**, 112-1403, Bugok Daewoo
Apartment, Bugok-2-Dong,
Keum-Jung-Gu, Busan (KR); **Hyun
Yoon**, 114-1704, Hyundai I-Park,
Samgye-Dong, Kimhae-City,
Kyungsangnam Do (KR)

* cited by examiner

Primary Examiner—Ralf Seifert
(74) *Attorney, Agent, or Firm*—Charles E. Baxley

(**) **Term:** **14 Years**

(57) **CLAIM**

The ornamental design for an end cap for air compressor, as shown and described.

(21) **Appl. No.:** **29/214,016**

DESCRIPTION

(22) **Filed:** **Sep. 27, 2004**

(51) **LOC (8) Cl.** **15-02**

(52) **U.S. Cl.** **D15/9**

(58) **Field of Search** D15/7-9; 417/321,
417/410, 413.1, 415, 423.3, 486, 521, 534;
415/148

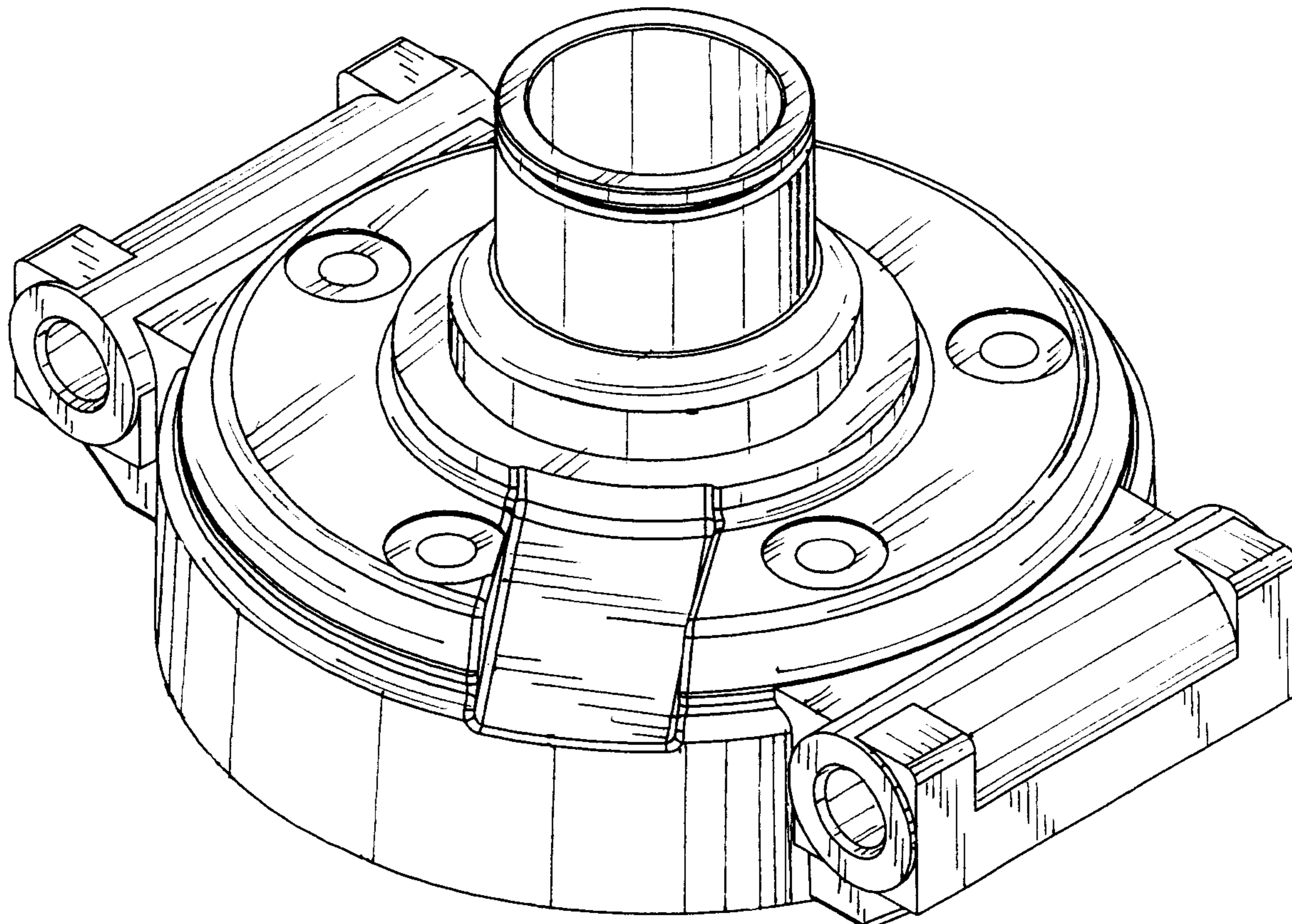
FIG. 1 is a perspective view of an end cap for air compressor showing my new design;
FIG. 2 is a front elevational view thereof;
FIG. 3 is a rear elevational view thereof;
FIG. 4 is a top plan view thereof;
FIG. 5 is a bottom plan view thereof;
FIG. 6 is a left side elevational view thereof; and,
FIG. 7 is a right side elevational view thereof.

(56) **References Cited**

U.S. PATENT DOCUMENTS

D223,686 S * 5/1972 Sadler et al. D15/7

1 Claim, 5 Drawing Sheets



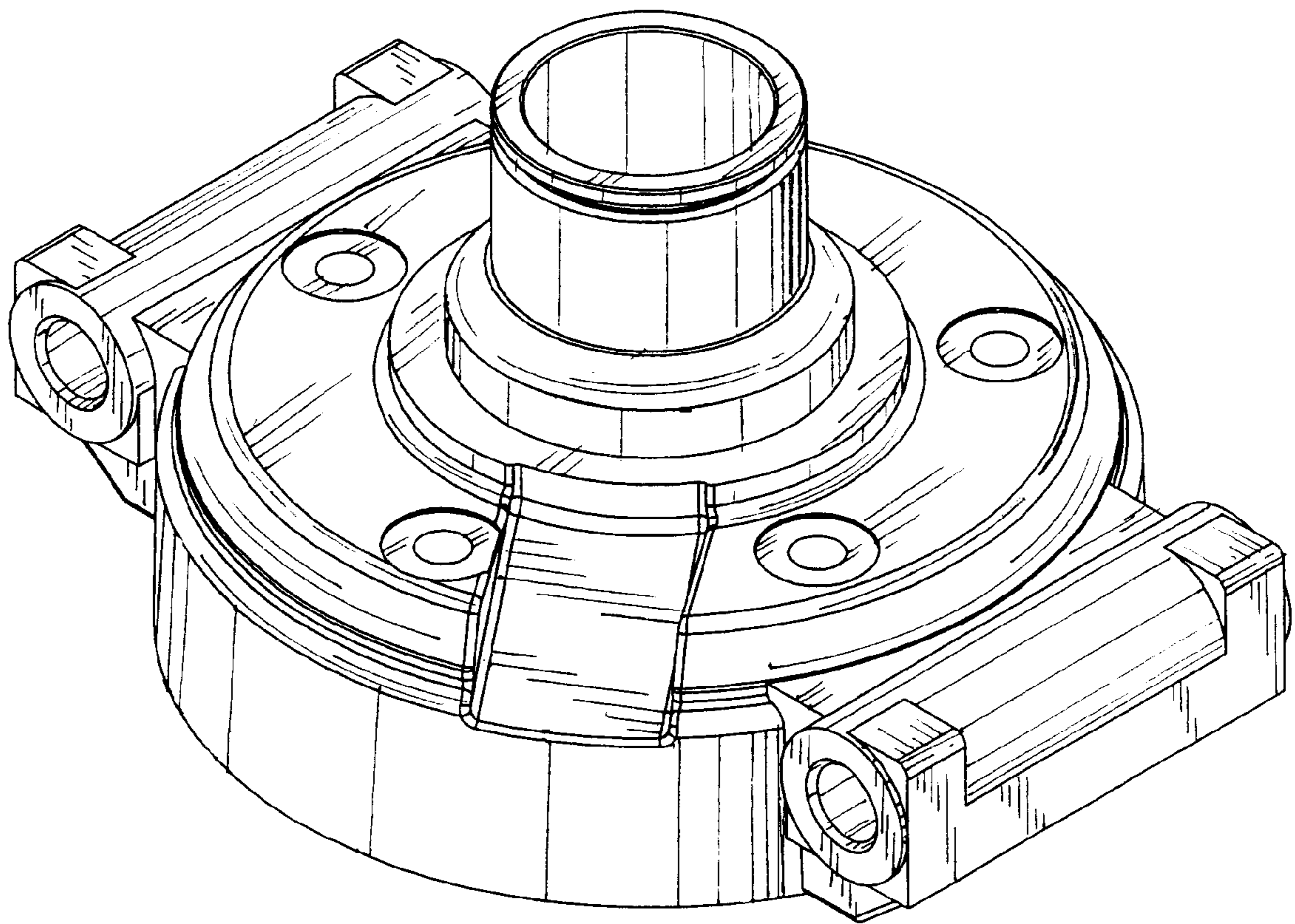


FIG. 1

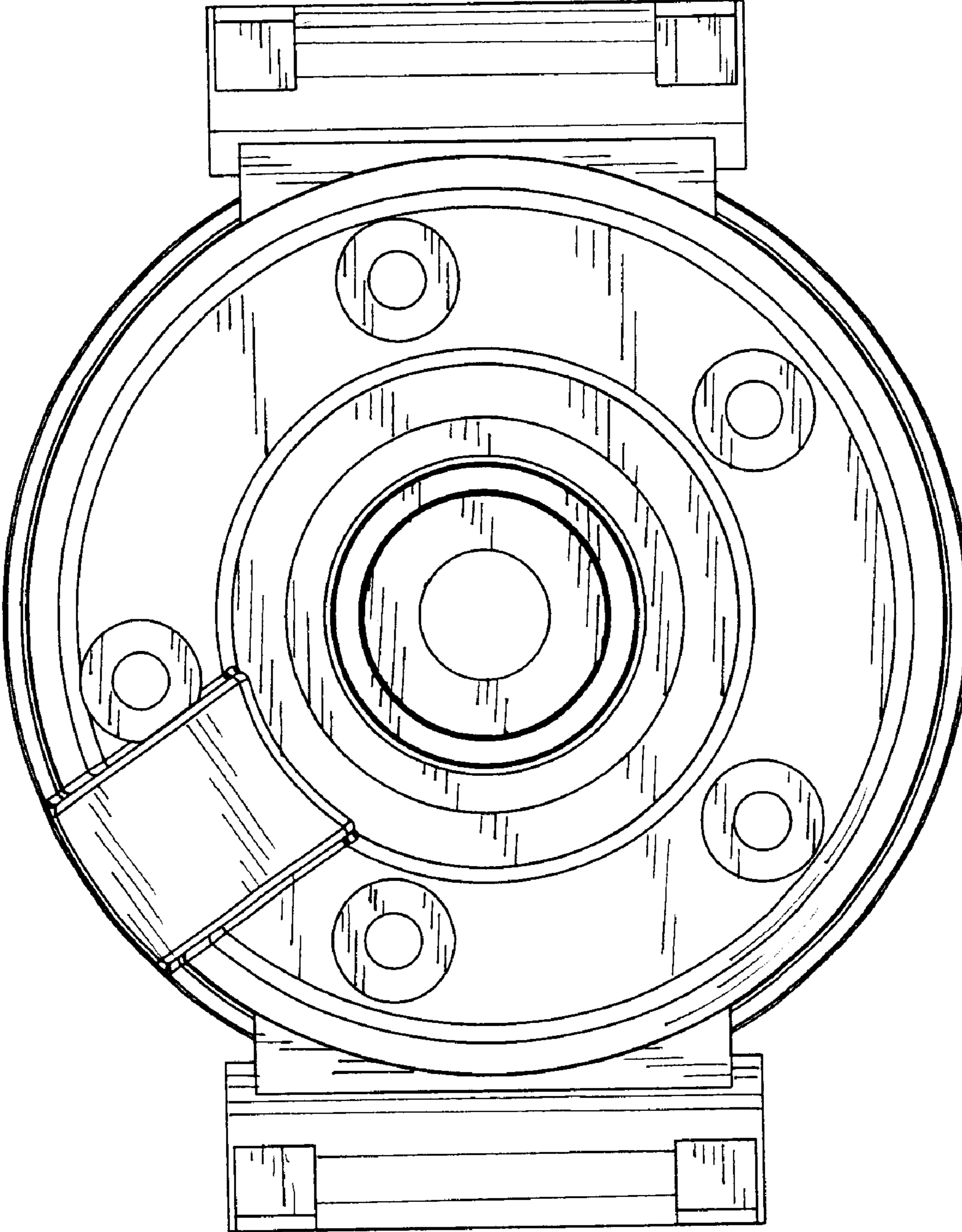


FIG. 2

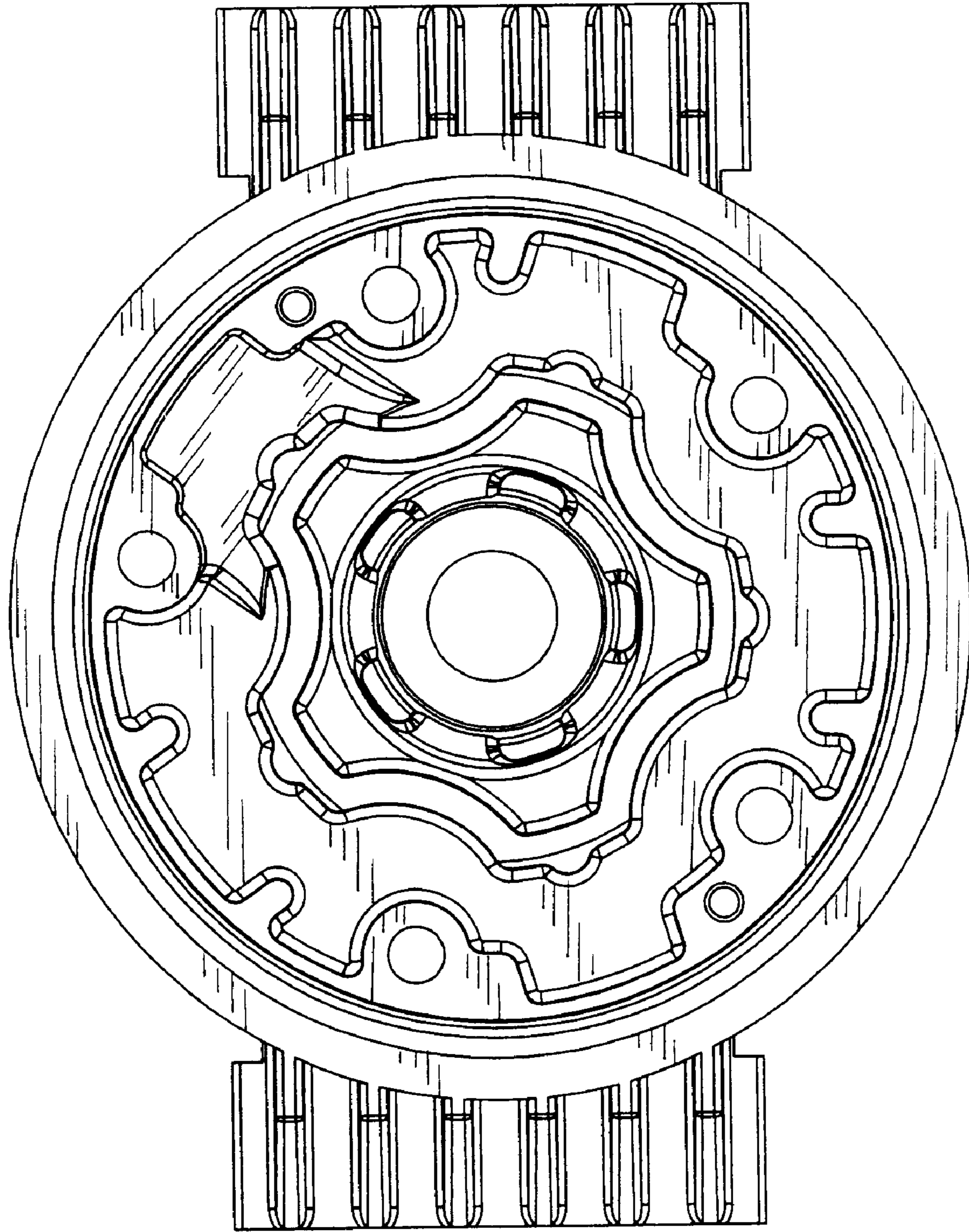


FIG. 3

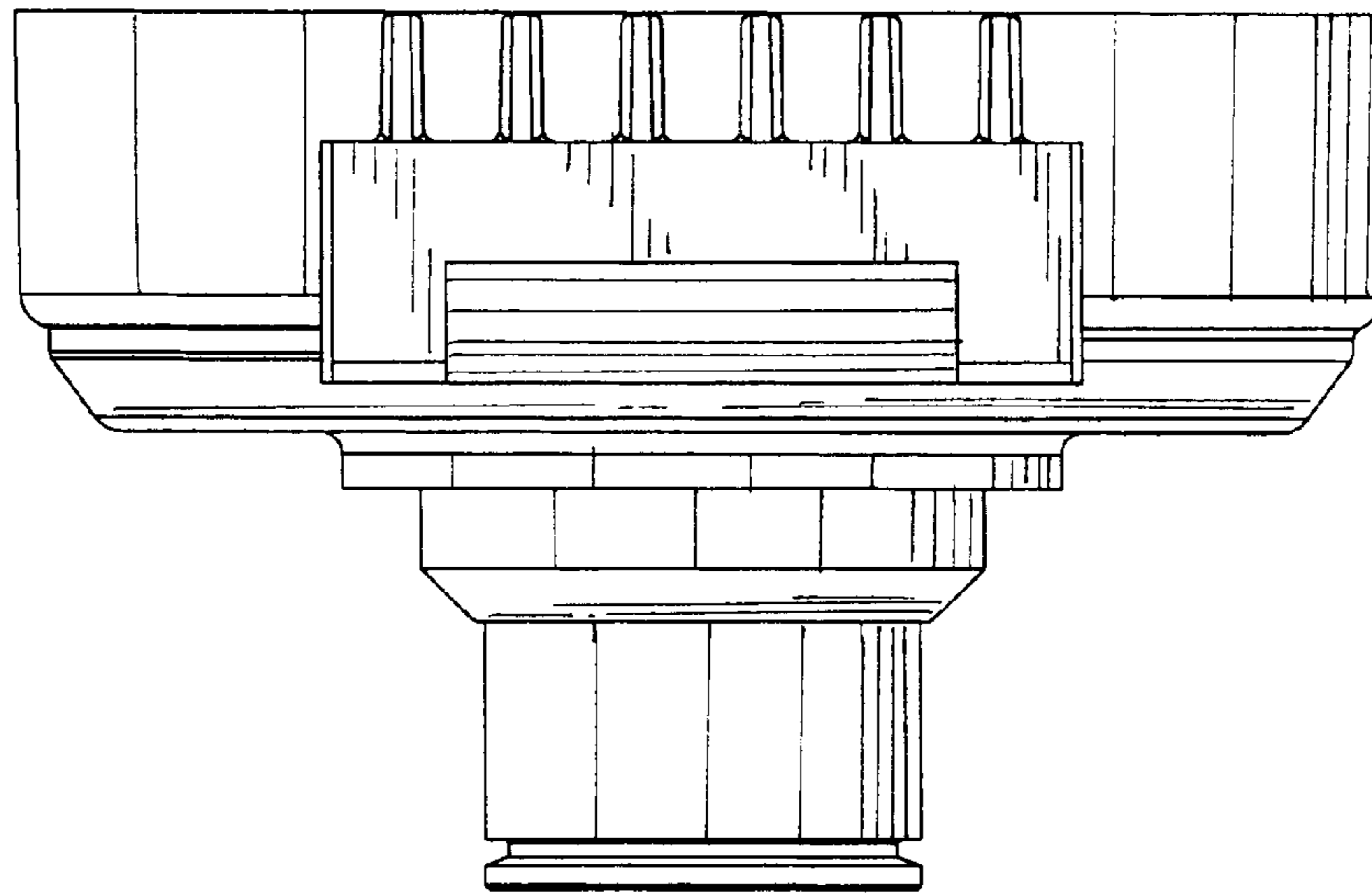


FIG. 4

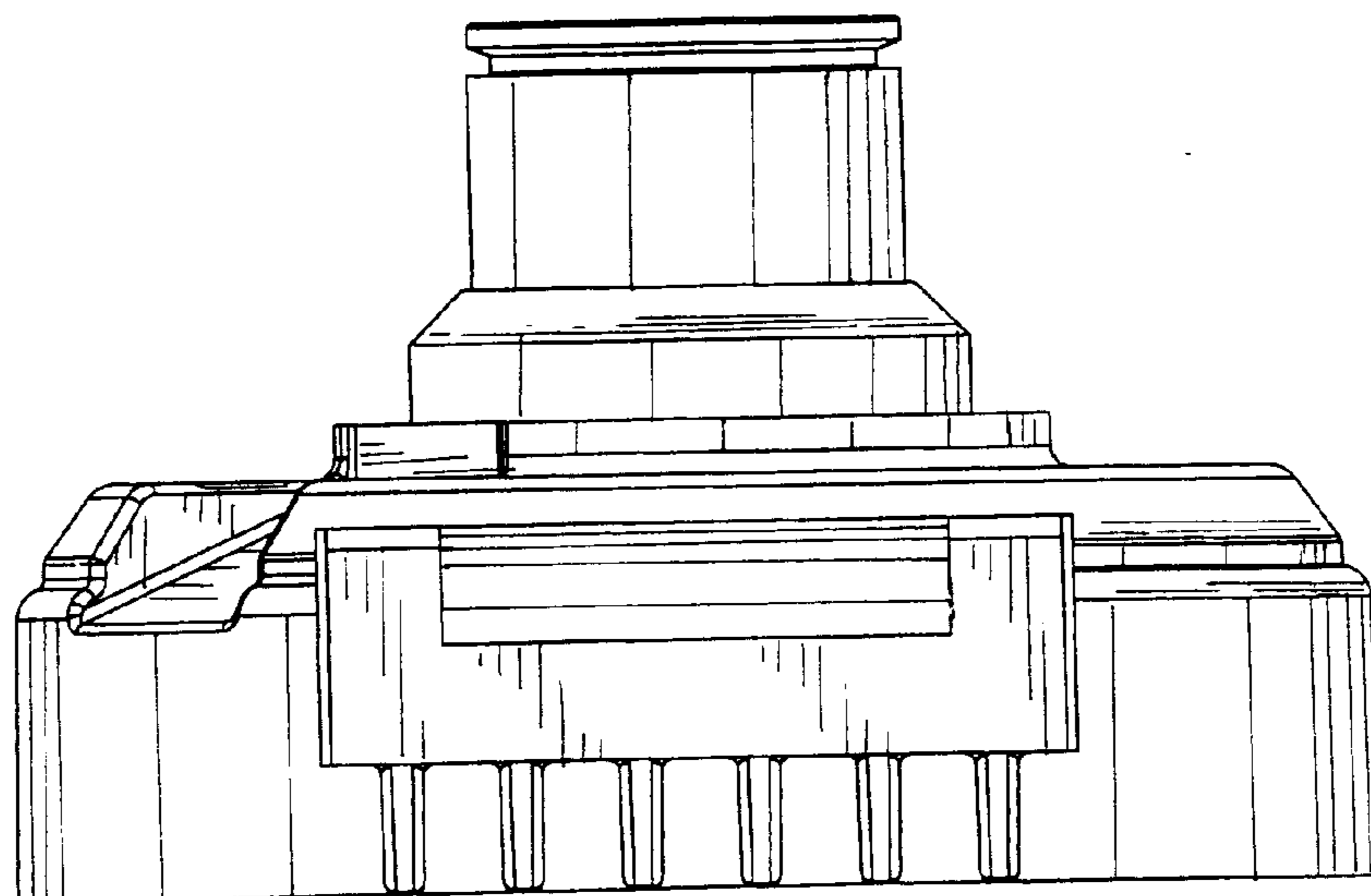


FIG. 5

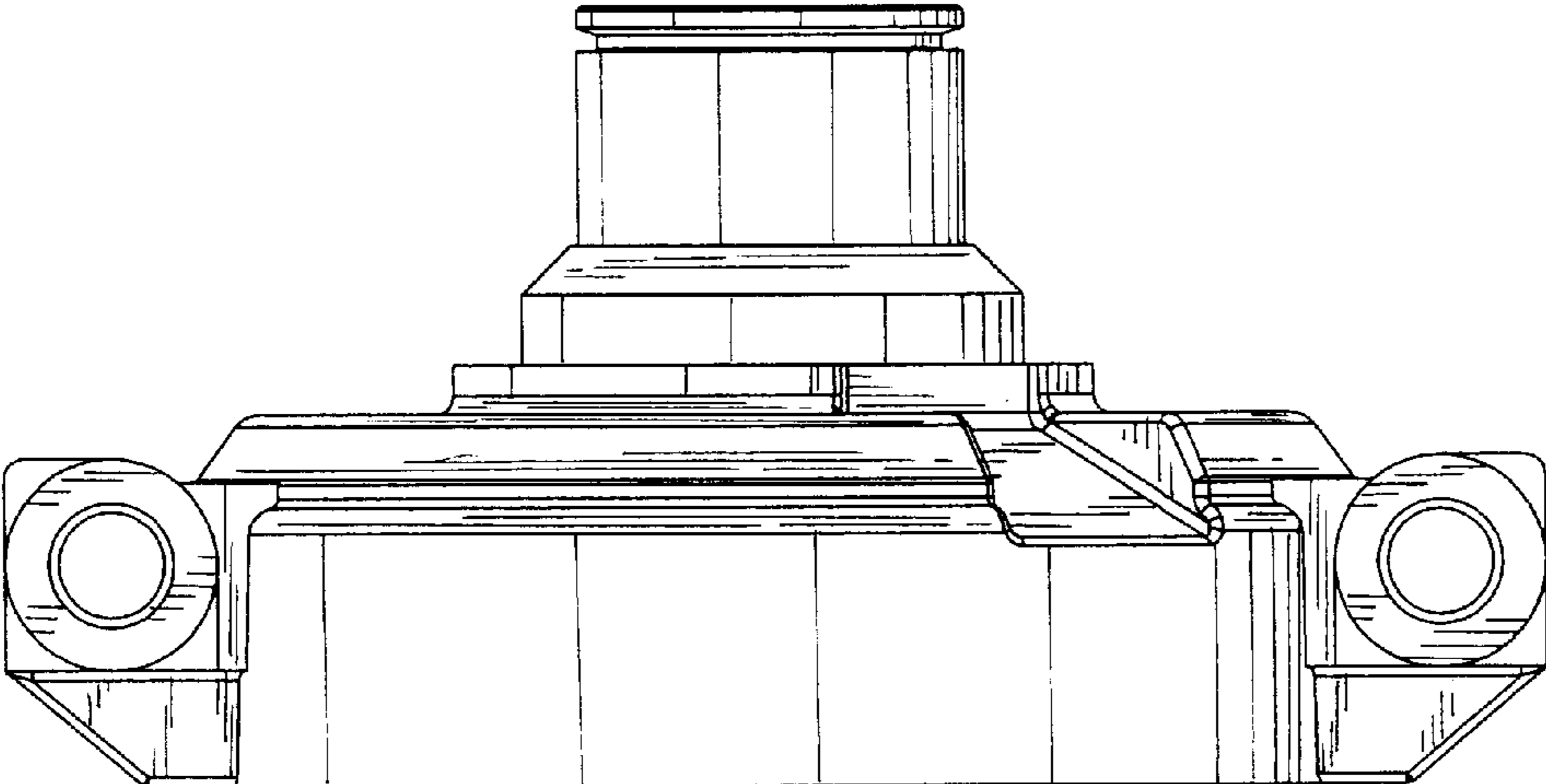


FIG. 6

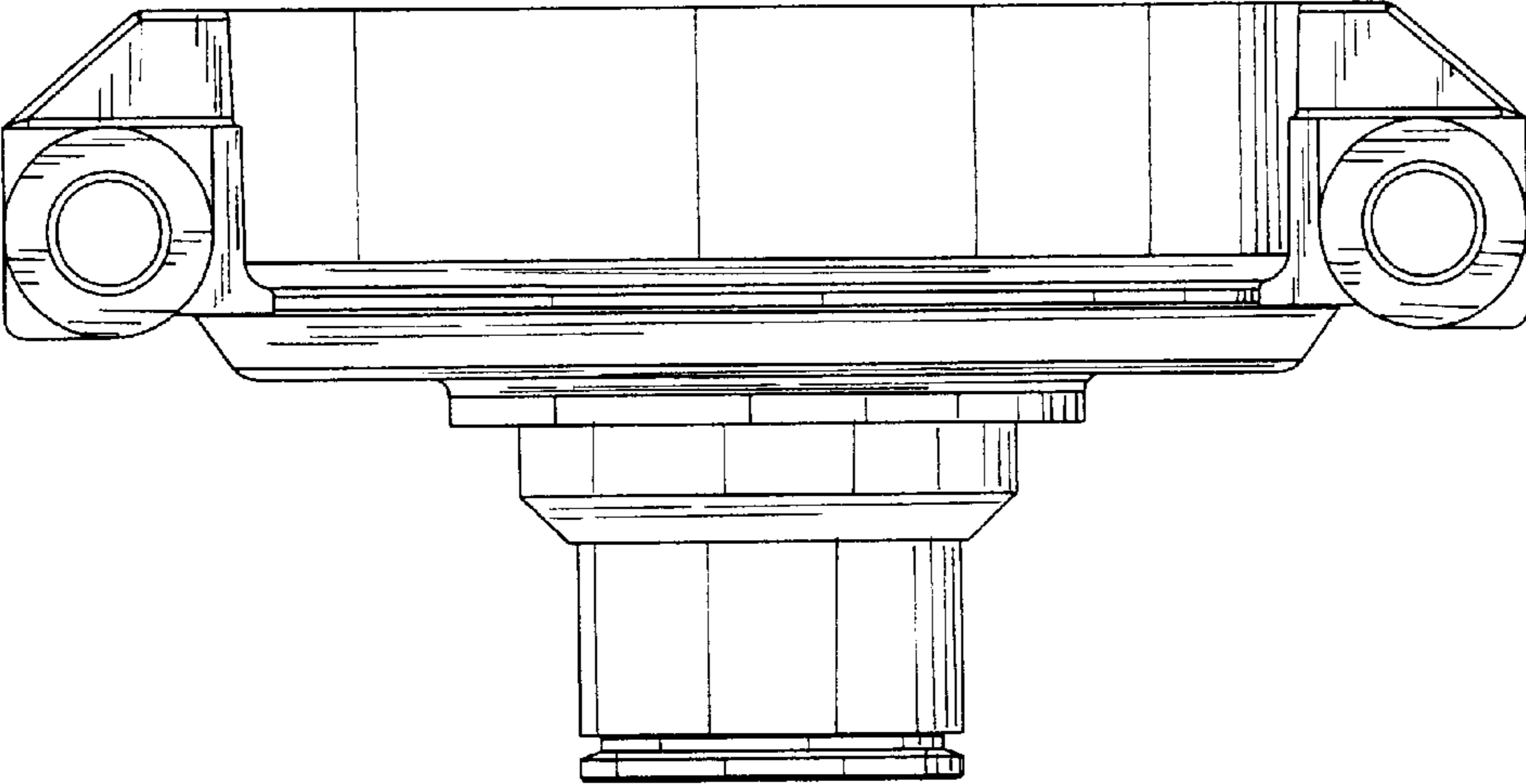


FIG. 7