



US00D507278S

(12) **United States Design Patent**
Moser, III

(10) **Patent No.:** **US D507,278 S**

(45) **Date of Patent:** **** Jul. 12, 2005**

(54) **COMPRESSOR**

D419,567 S * 1/2000 Weiss D15/7
D486,835 S * 2/2004 Hsiao D15/9

(75) **Inventor:** **John J. Moser, III**, Scottsdale, AZ
(US)

* cited by examiner

(73) **Assignee:** **Q Industries, Inc.**, Denver, CO (US)

Primary Examiner—Ralf Seifert

(74) *Attorney, Agent, or Firm*—Malloy & Malloy, P.A.

(**) **Term:** **14 Years**

(57) **CLAIM**

(21) **Appl. No.:** **29/206,872**

The ornamental design for compressor, as shown and described.

(22) **Filed:** **Jun. 4, 2004**

DESCRIPTION

(51) **LOC (8) Cl.** **15-02**

(52) **U.S. Cl.** **D15/9**

(58) **Field of Search** D15/7-9; D23/231,
D23/232; 417/410.4, 359, 415, 410.3, 234,
229, 321, 265, 405

FIG. 1 is a side perspective view illustrating my design for a compressor;

FIG. 2 is a front view thereof;

FIG. 3 is a left side view thereof;

FIG. 4 is a top view thereof;

FIG. 5 is a right side view thereof;

FIG. 6 is a rear view thereof; and,

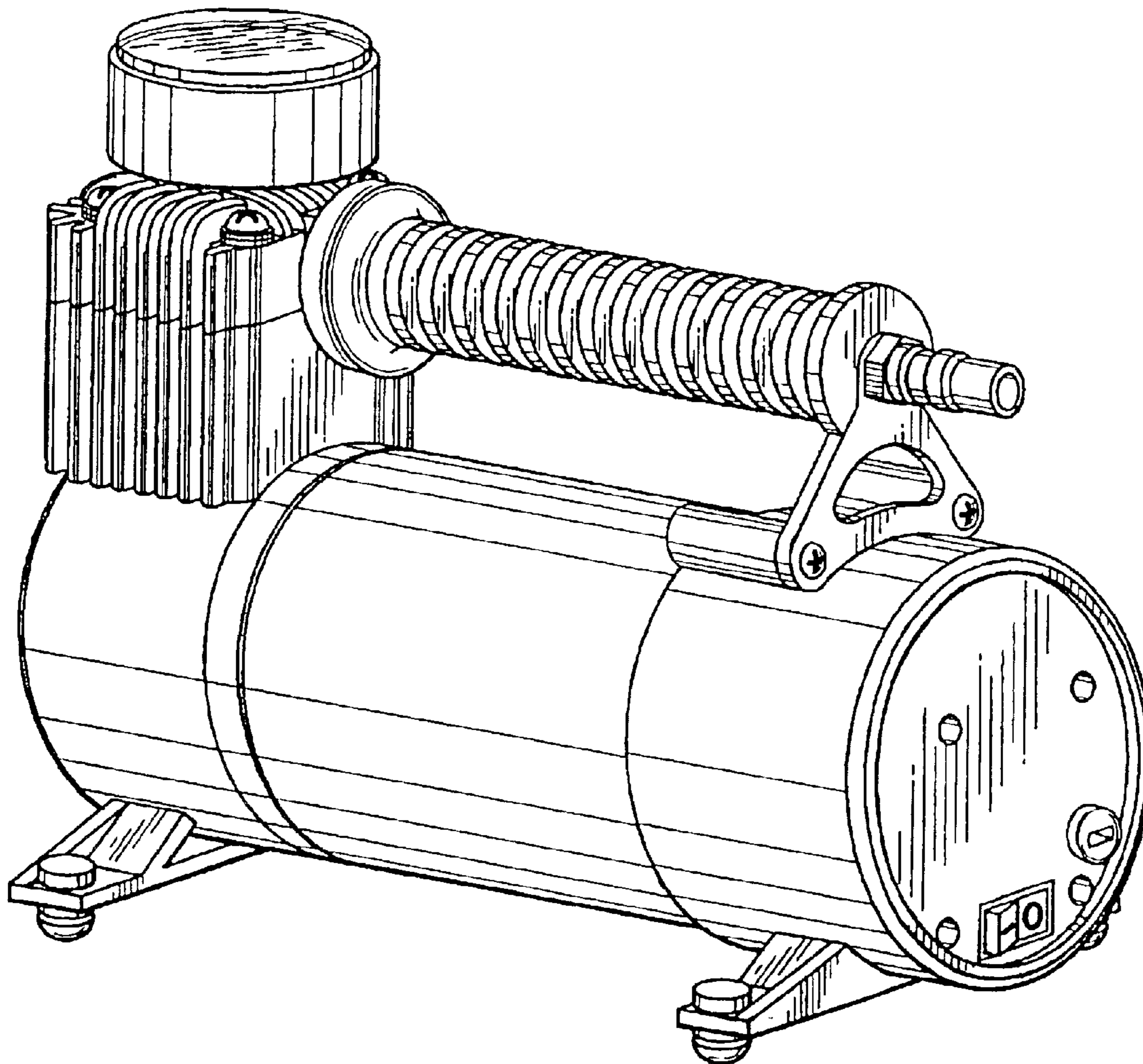
FIG. 7 is a bottom view thereof.

(56) **References Cited**

U.S. PATENT DOCUMENTS

D303,394 S * 9/1989 Mariol D15/9

1 Claim, 6 Drawing Sheets



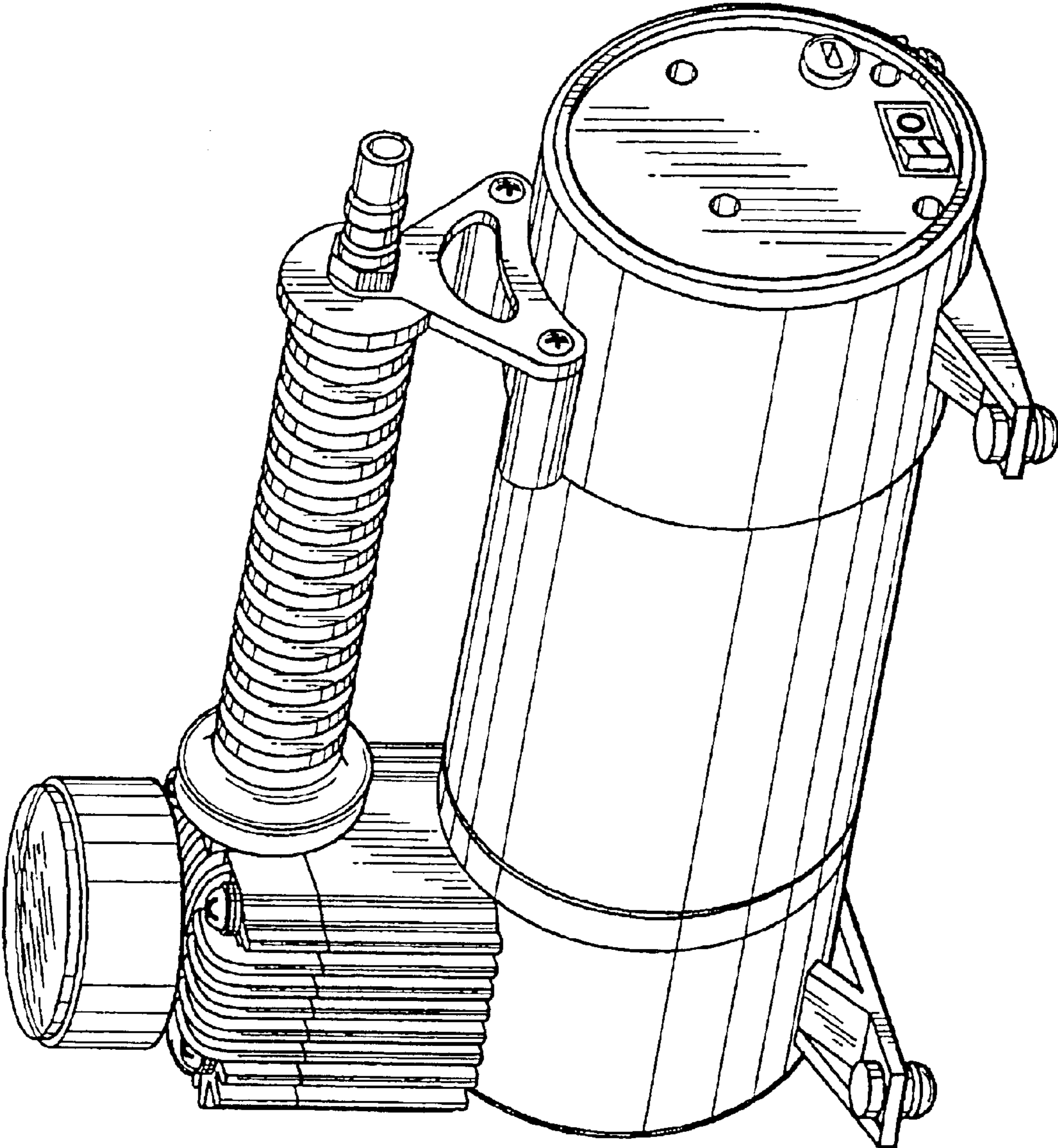


FIG. 1

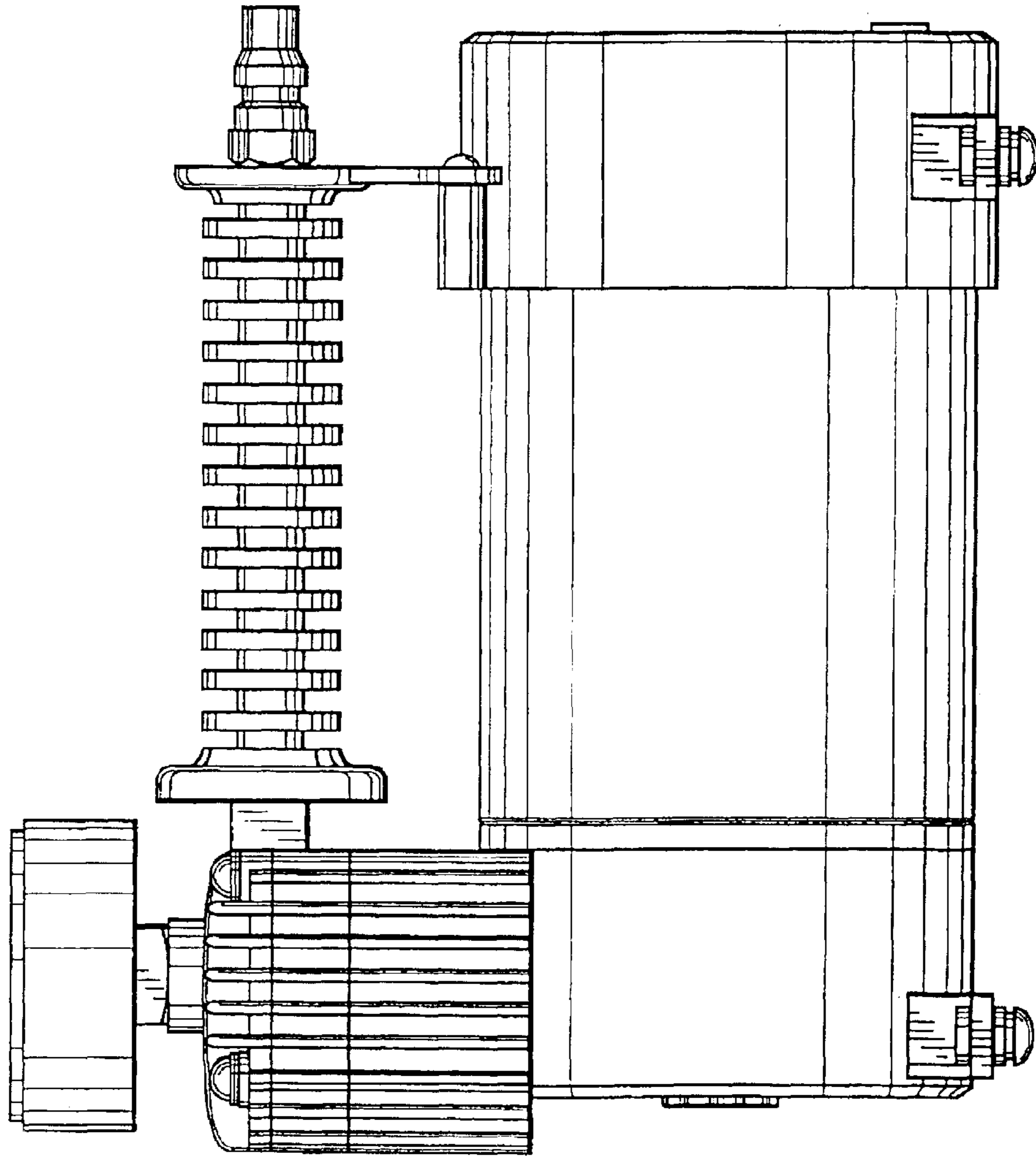


FIG. 2

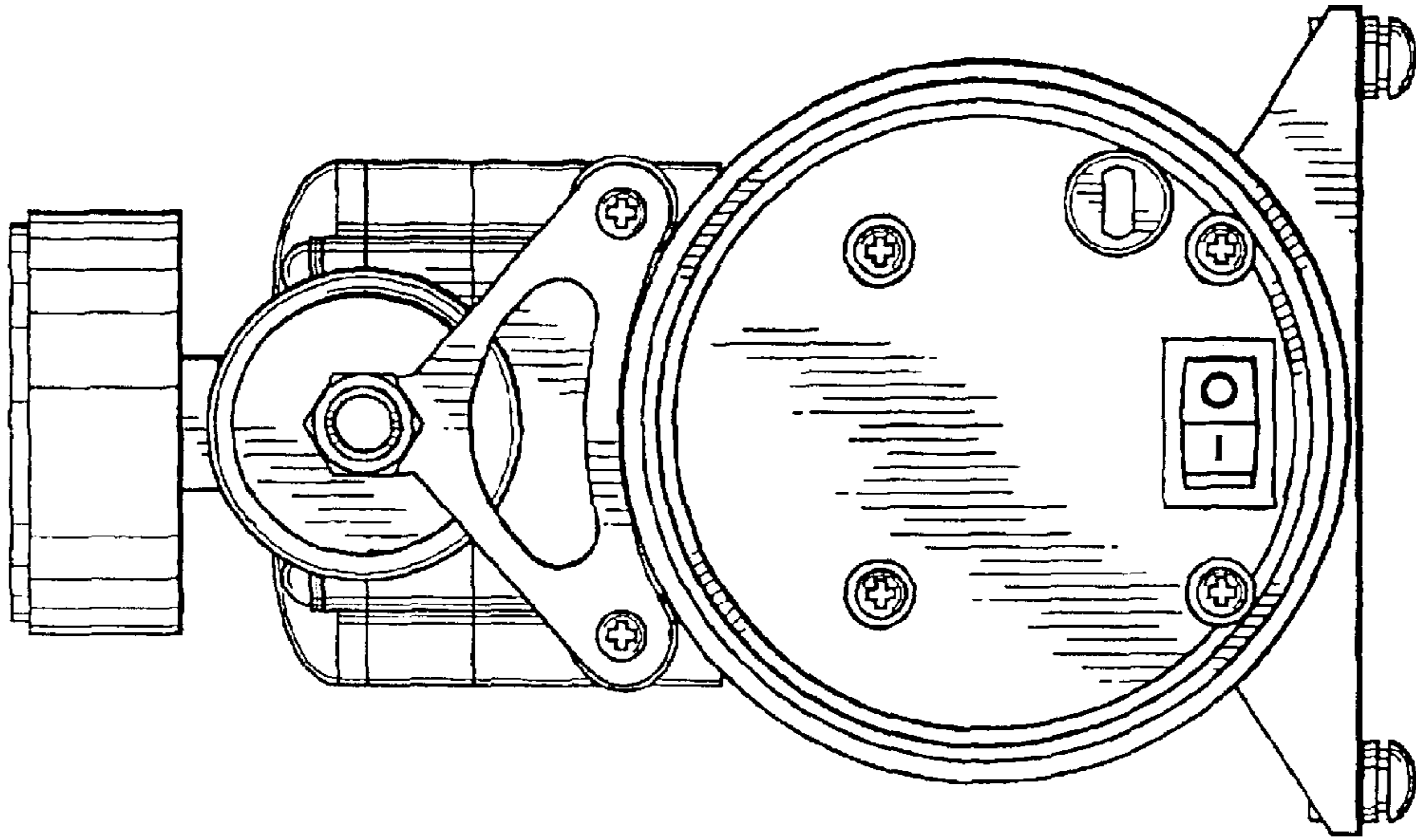


FIG. 5

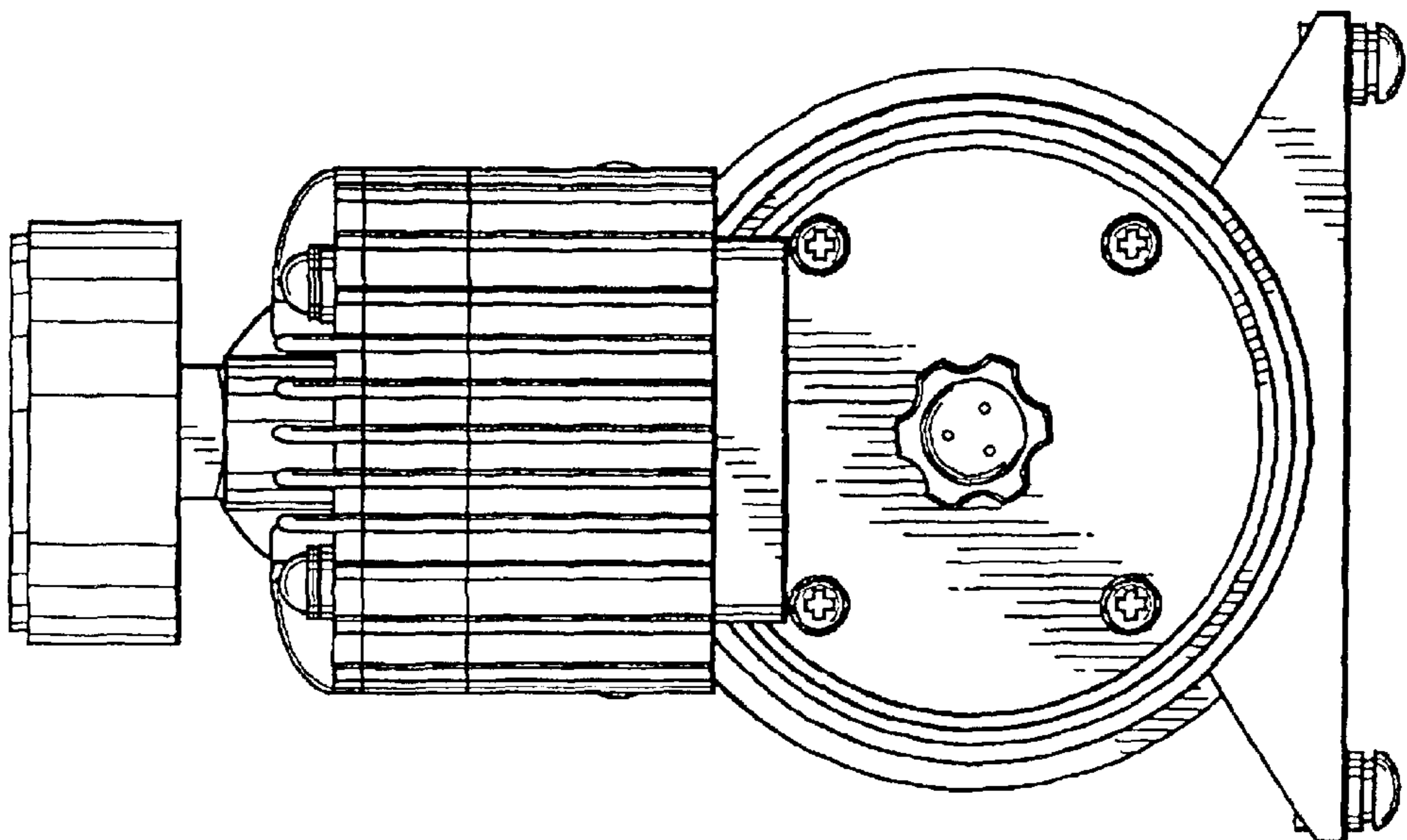


FIG. 3

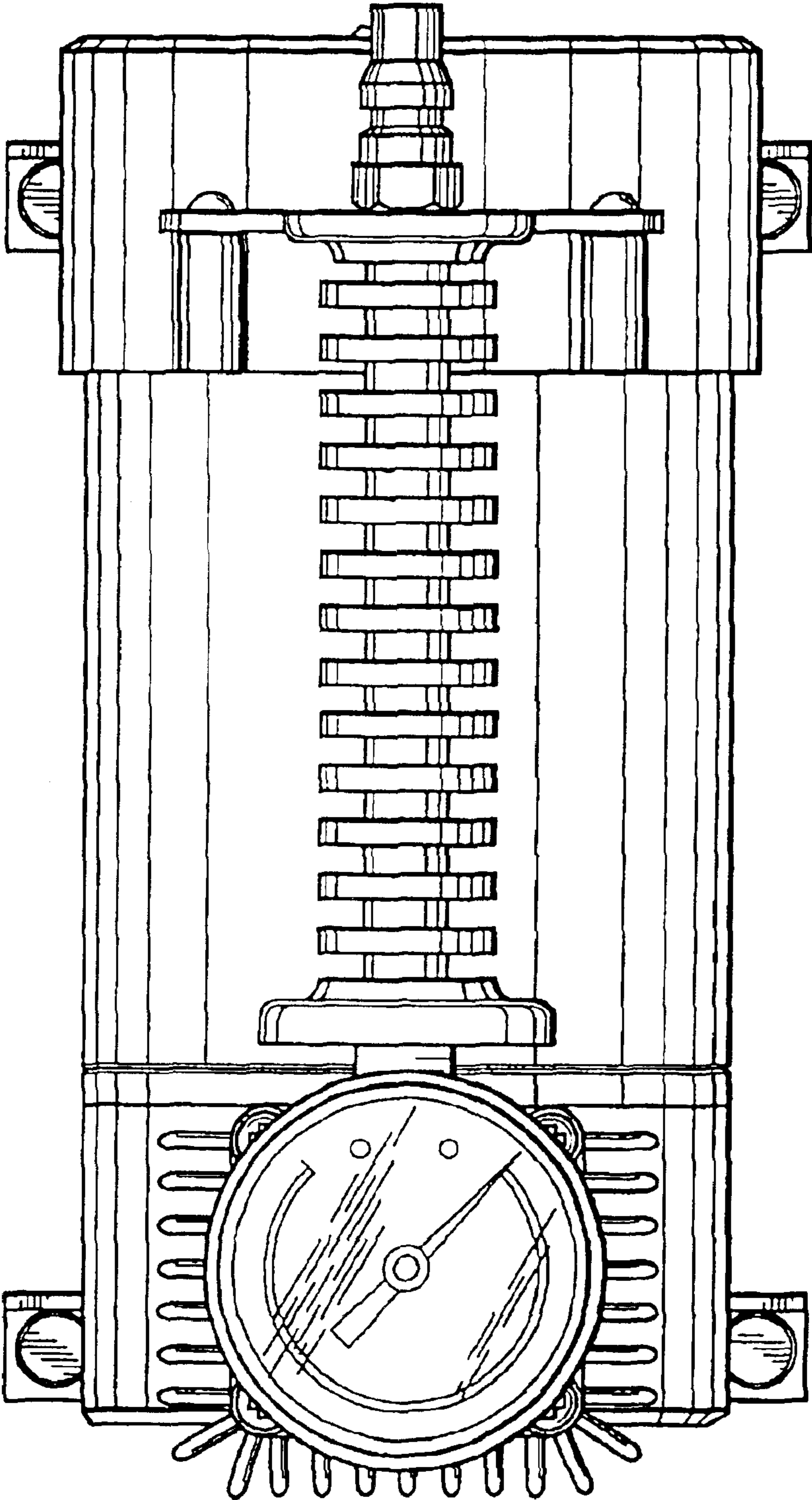


FIG. 4

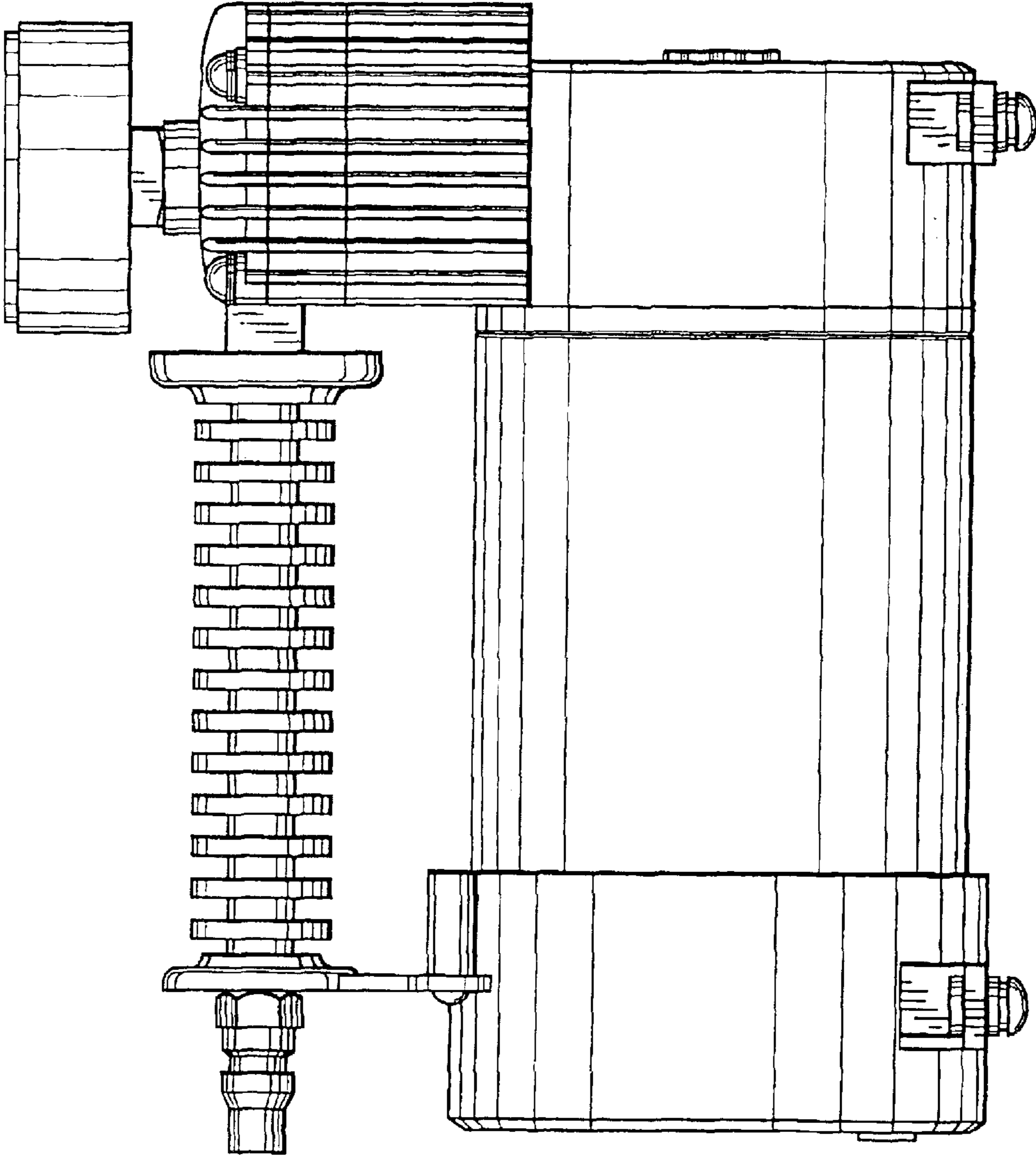


FIG. 6

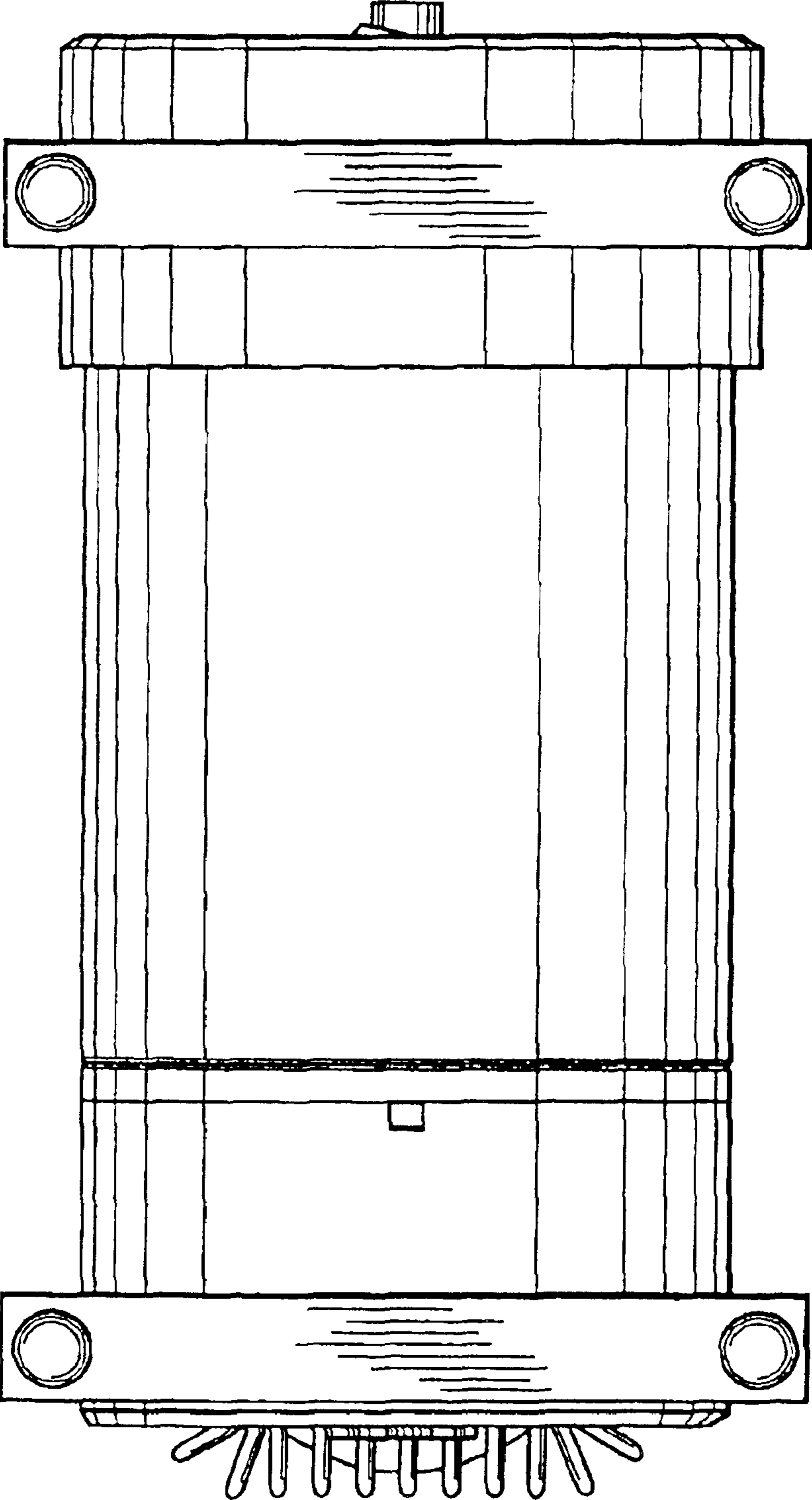


FIG. 7