

US00D507277S

(12) **United States Design Patent**
Sitoh

(10) **Patent No.:** **US D507,277 S**
(45) **Date of Patent:** **** Jul. 12, 2005**

(54) **MEDIA PLAYER**

(75) Inventor: **Yu Weng Alvin Sitoh**, Singapore (SG)

(73) Assignee: **Creative Technology Ltd.**, Singapore (SG)

(**) Term: **14 Years**

(21) Appl. No.: **29/208,129**

(22) Filed: **Jun. 23, 2004**

(51) **LOC (8) Cl.** **14-01**

(52) **U.S. Cl.** **D14/496**

(58) **Field of Search** D14/496, 483,
D14/156-158, 135, 136, 160-165, 192,
217, 474; 369/75.1, 75.2, 77.1, 77.2, 2,
24, 25; 455/344-351; 370/342-344; 273/148 B;
463/1, 43-47

(56) **References Cited**

U.S. PATENT DOCUMENTS

5,661,632	A	*	8/1997	Register	361/683
6,122,526	A	*	9/2000	Parulski et al.	455/556.1
6,238,291	B1	*	5/2001	Fujimoto et al.	463/44
6,254,477	B1	*	7/2001	Sasaki et al.	463/1
D452,250	S	*	12/2001	Chan	D14/496
6,595,860	B1	*	7/2003	Yamamoto et al.	463/43
D486,813	S	*	2/2004	Chun	D14/156
D488,483	S	*	4/2004	Hu	D14/496
D490,068	S	*	5/2004	Chen	D14/156
D494,188	S	*	8/2004	Huang	D14/496

D497,618	S	*	10/2004	Andre et al.	D14/496
D499,423	S	*	12/2004	Bahroocha et al.	D14/496
D499,424	S	*	12/2004	Bahroocha	D14/496

* cited by examiner

Primary Examiner—Prabhakar Deshmukh

(74) *Attorney, Agent, or Firm*—P. Francois de Villiers

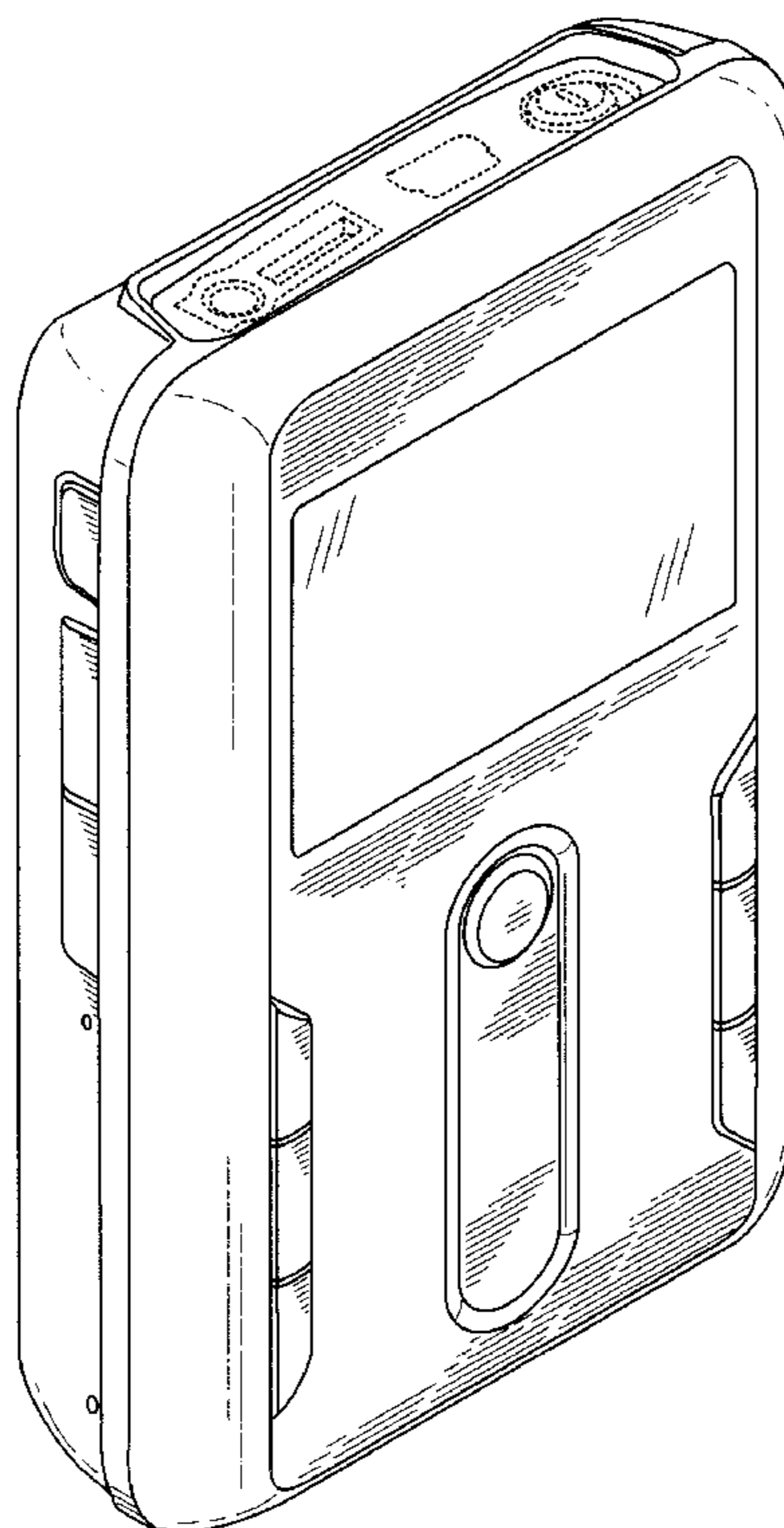
(57) **CLAIM**

The ornamental design for a media player, substantially as shown and described.

DESCRIPTION

FIG. 1 is a perspective front view of a media player in accordance with the present design;
 FIG. 2 is a perspective back view of the media player shown in FIG. 1;
 FIG. 3 is a front view of the media player shown in FIG. 1;
 FIG. 4 is a back view of the media player shown in FIG. 1;
 FIG. 5 is a left side view of the media player shown in FIG. 1;
 FIG. 6 is a right side view of the media player shown in FIG. 1;
 FIG. 7 is a bottom view of the media player shown in FIG. 1; and,
 FIG. 8 is a top view of the media player shown in FIG. 1.
 Features illustrated in phantom using dashed lines (broken lines) are shown for exemplary purposes only and form no part of the claimed design.

1 Claim, 3 Drawing Sheets



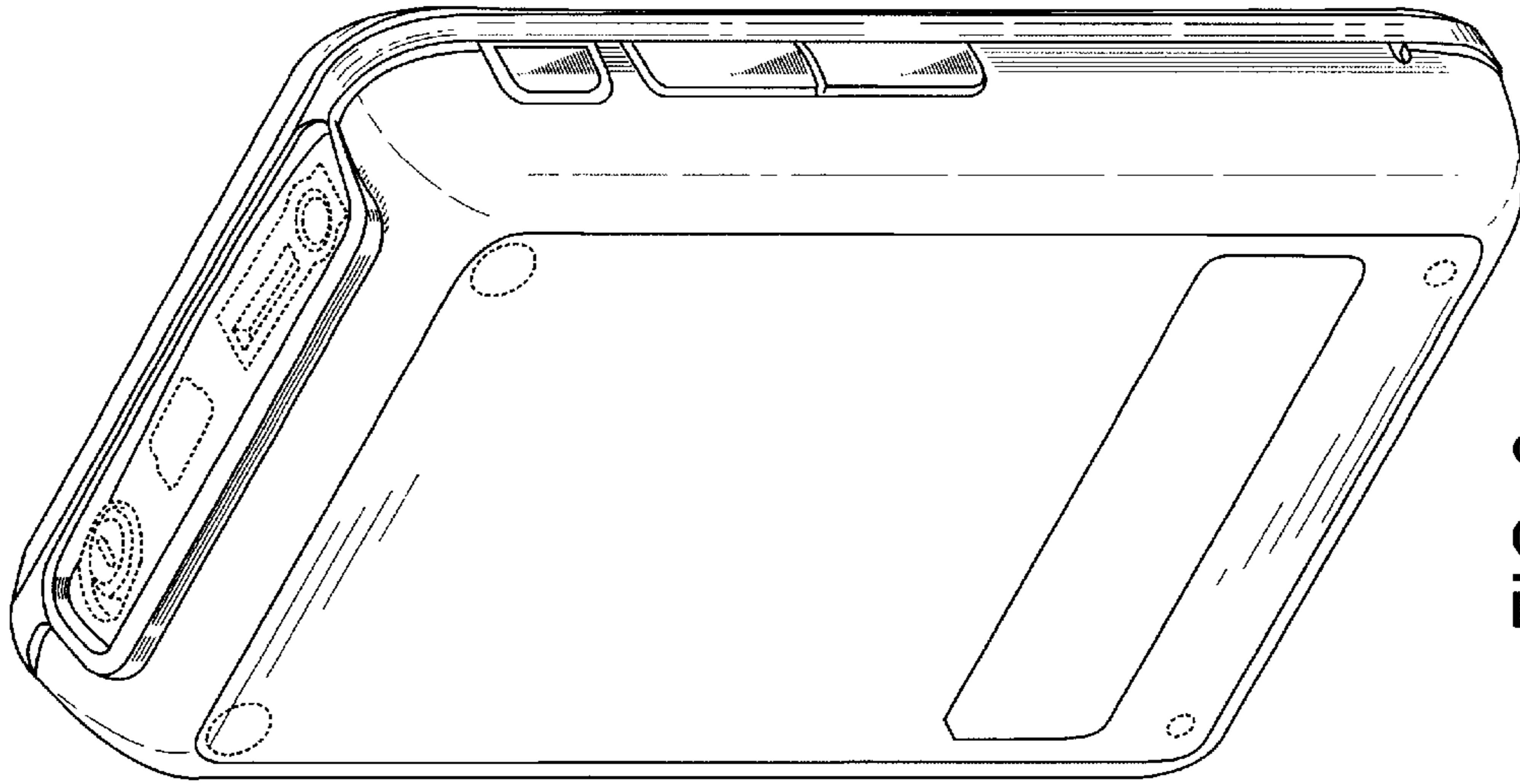


FIG. 2

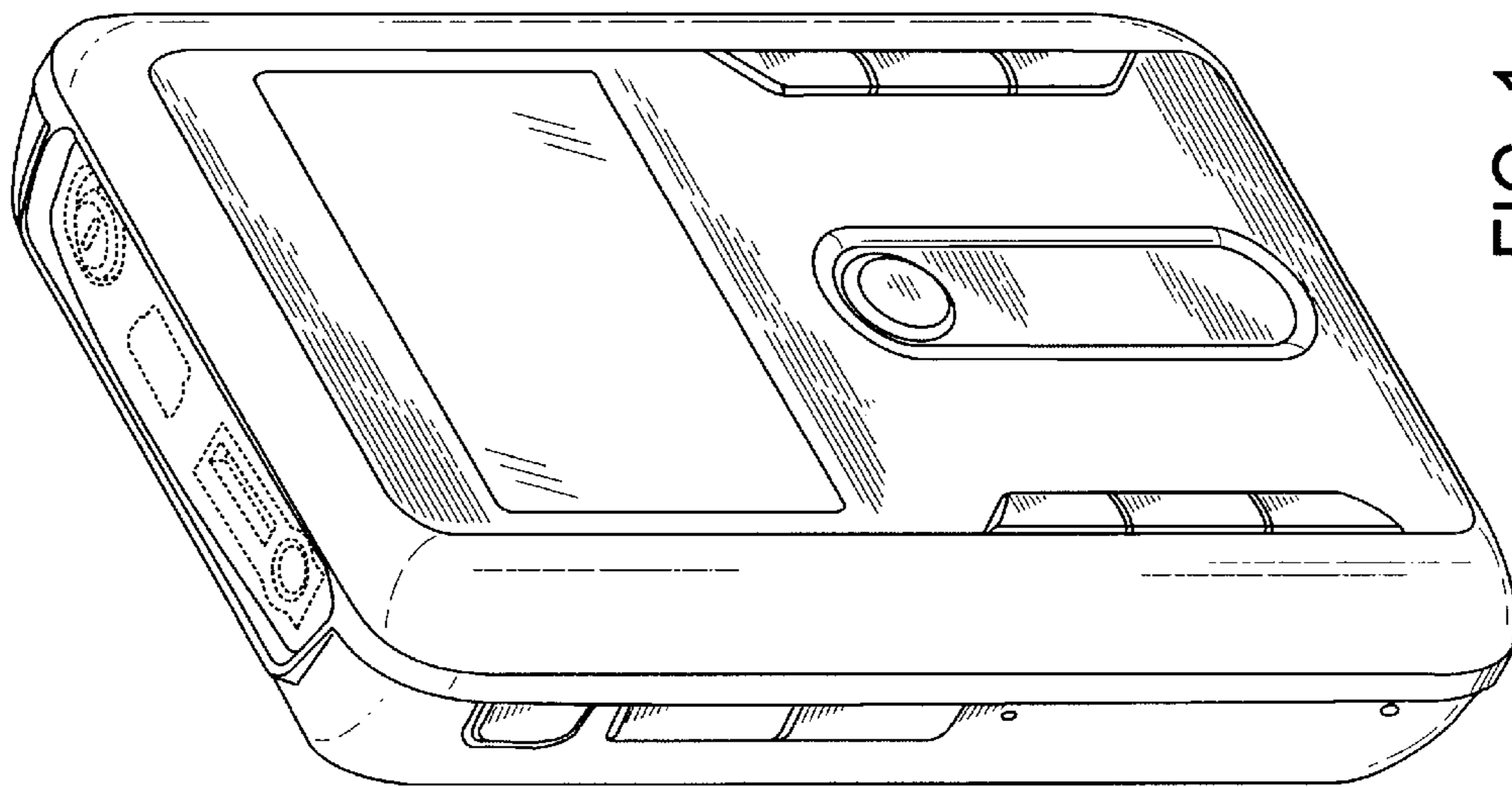


FIG. 1

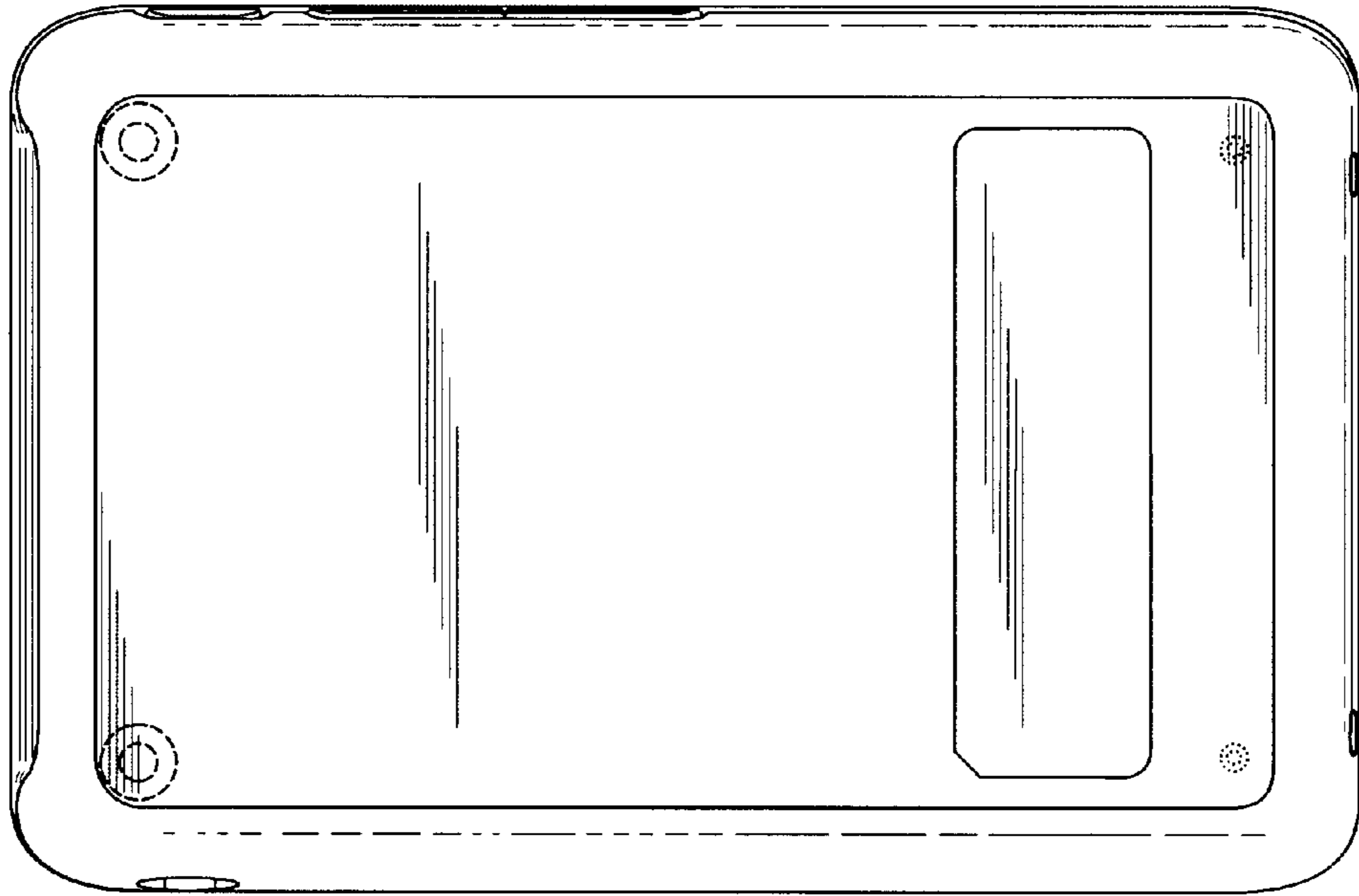


FIG. 4

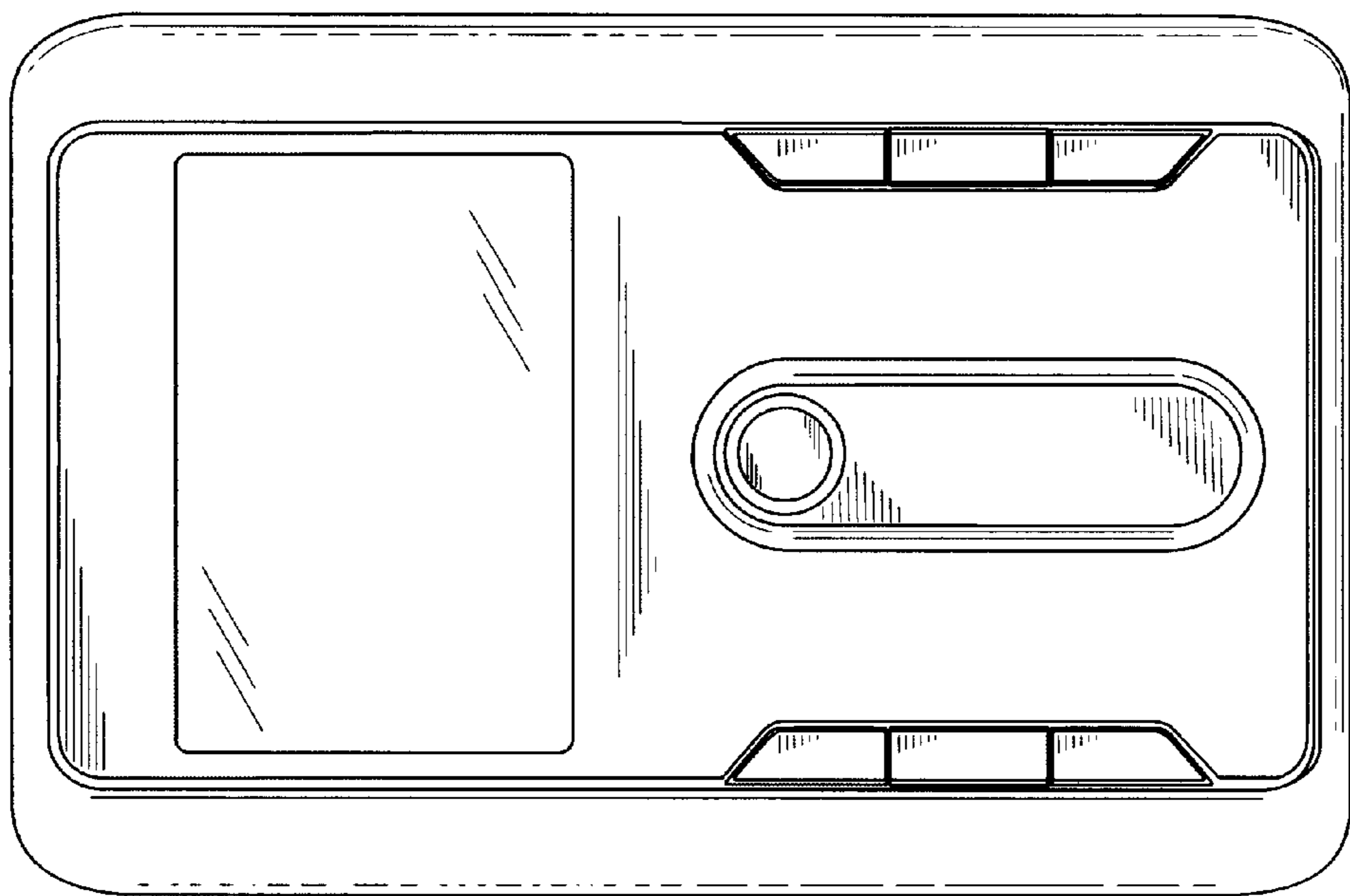


FIG. 3

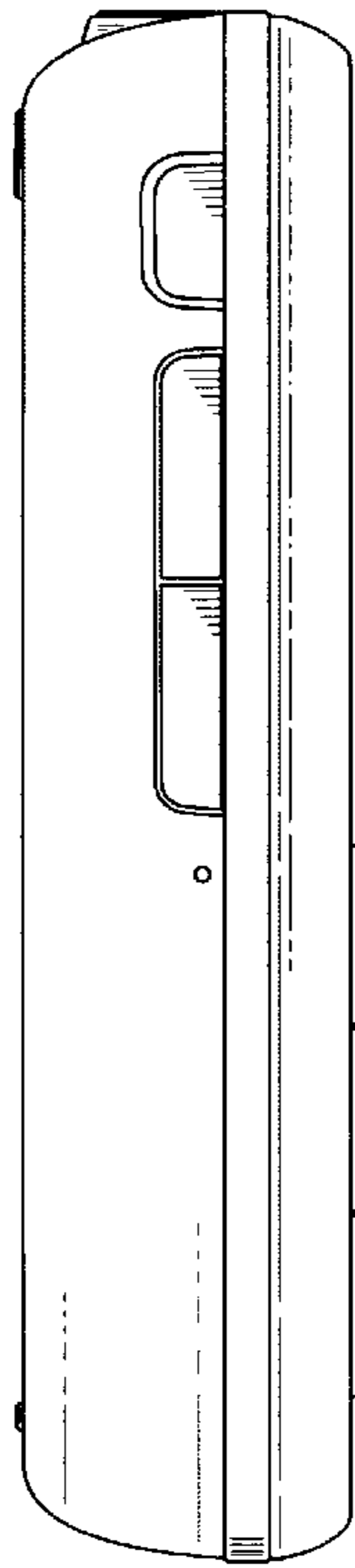


FIG. 5

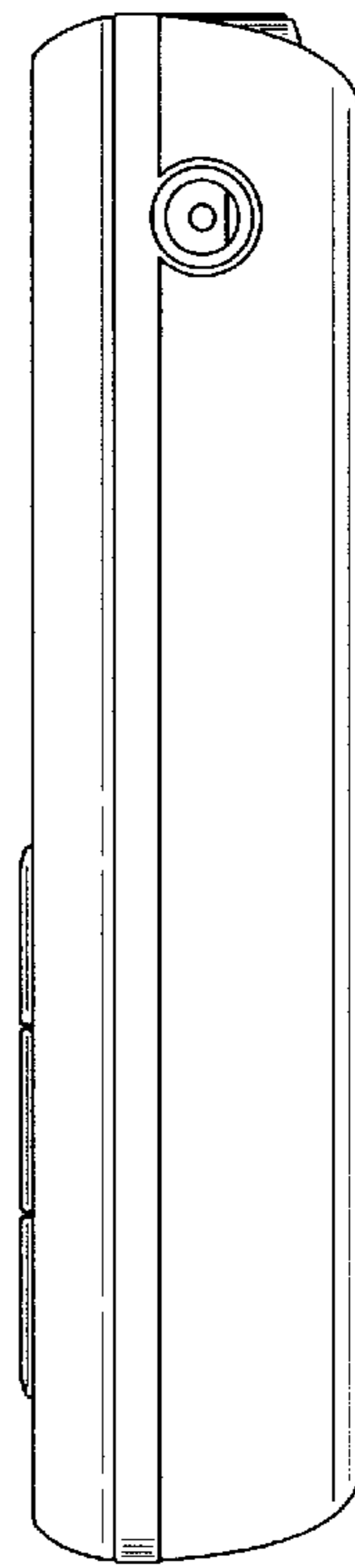


FIG. 6

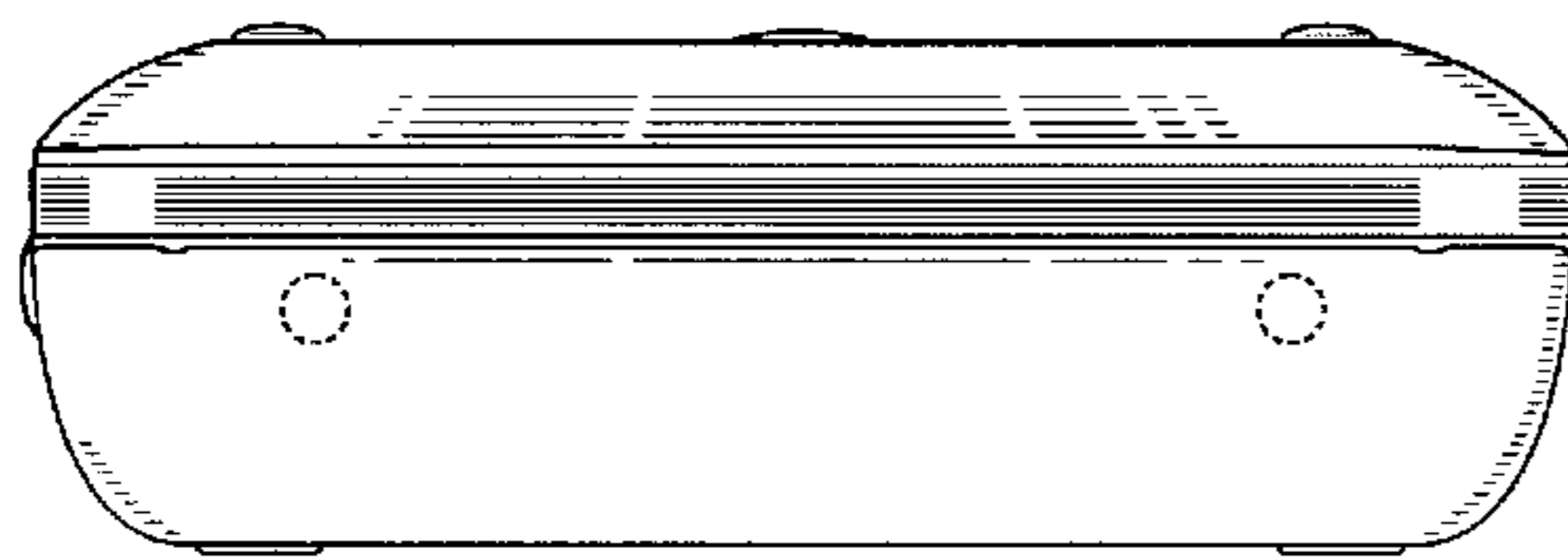


FIG. 7

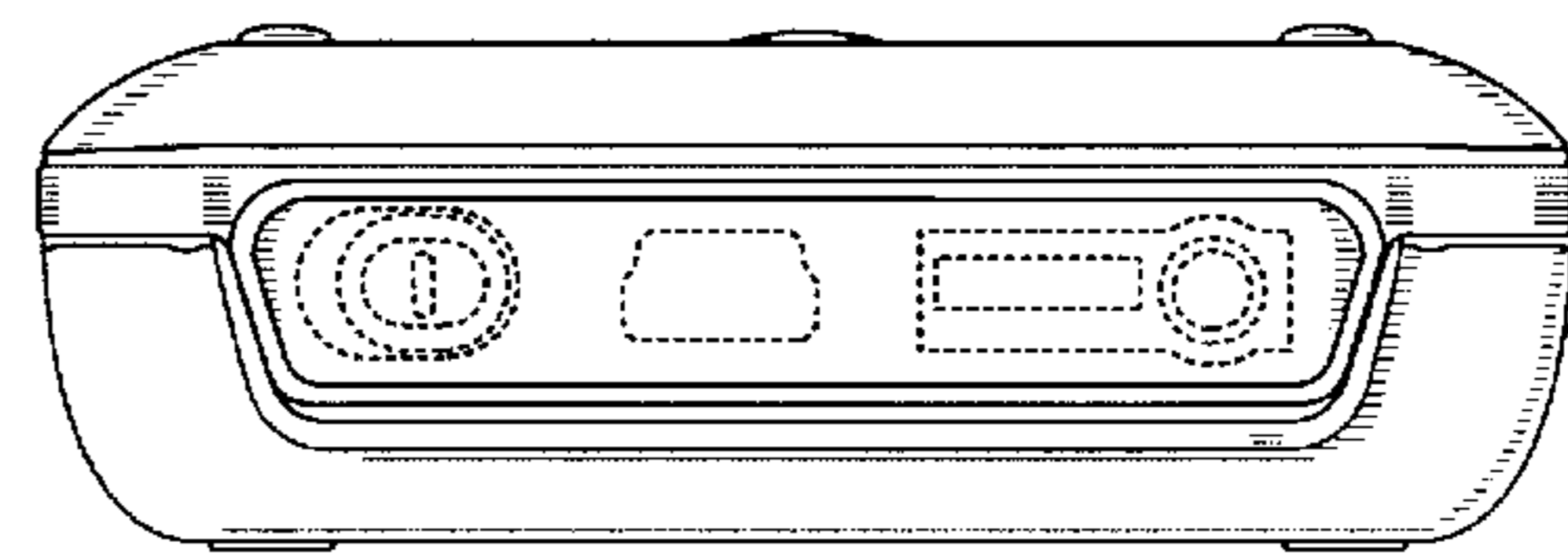


FIG. 8