

US00D507275S

(12) **United States Design Patent**
Matsushima

(10) **Patent No.:** **US D507,275 S**
(45) **Date of Patent:** **** Jul. 12, 2005**

- (54) **FACSIMILE MACHINE**
- (75) **Inventor:** **Takashi Matsushima, Kyoto-fu (JP)**
- (73) **Assignee:** **Sharp Kabushiki Kaisha, Osaka (JP)**
- (**) **Term:** **14 Years**
- (21) **Appl. No.:** **29/211,154**
- (22) **Filed:** **Aug. 12, 2004**
- (30) **Foreign Application Priority Data**
Apr. 9, 2004 (JP) 2004-010941
- (51) **LOC (8) Cl. 16-03**
- (52) **U.S. Cl. D14/467**
- (58) **Field of Search D14/462-471;**
358/400, 401; D18/36, 37

- D376,793 S 12/1996 Satoh et al.
- D383,742 S 9/1997 Sawada et al.
- D385,266 S 10/1997 Matsushima
- D386,490 S 11/1997 Fujimoto
- D390,842 S * 2/1998 Matsushima et al. D14/467
- D407,083 S 3/1999 Yamamizu
- 5,905,782 A * 5/1999 Lee et al. 379/100.01
- D410,915 S * 6/1999 Suzuki D14/467
- D411,531 S 6/1999 Hatanaka
- 6,040,919 A 3/2000 Iwata et al.
- D428,419 S 7/2000 Nakamura
- D434,045 S 11/2000 Nakamura
- D434,046 S 11/2000 Nakamura
- D438,869 S 3/2001 Nakamura
- D442,604 S 5/2001 Nakamura
- D443,620 S 6/2001 Nakamura et al.
- D448,774 S * 10/2001 Benedetto et al. D14/467
- D453,165 S 1/2002 Takahashi et al.

* cited by examiner

Primary Examiner—Prabhakar Deshmukh
(74) *Attorney, Agent, or Firm*—Nixon & Vanderhye

(56) **References Cited**
U.S. PATENT DOCUMENTS

- 4,872,061 A 10/1989 Uchiyama
- D304,724 S * 11/1989 Hashimoto et al. D14/467
- 4,914,281 A 4/1990 Benton et al.
- D322,608 S 12/1991 Makidera
- D323,159 S 1/1992 Iwasaki et al.
- D332,094 S 12/1992 Sawada et al.
- 5,172,243 A 12/1992 Hayashi et al.
- 5,183,431 A 2/1993 Todokoro
- D339,333 S 9/1993 Sawada et al.
- D345,155 S 3/1994 Hiroki et al.
- 5,317,422 A * 5/1994 Fujimoto 358/476
- 5,337,165 A 8/1994 Rioussset et al.
- D355,178 S 2/1995 Sawada et al.
- D355,179 S 2/1995 Sawada et al.
- D357,677 S 4/1995 Sawada et al.
- D361,994 S 9/1995 Sawada et al.
- D363,713 S 10/1995 Kanari et al.

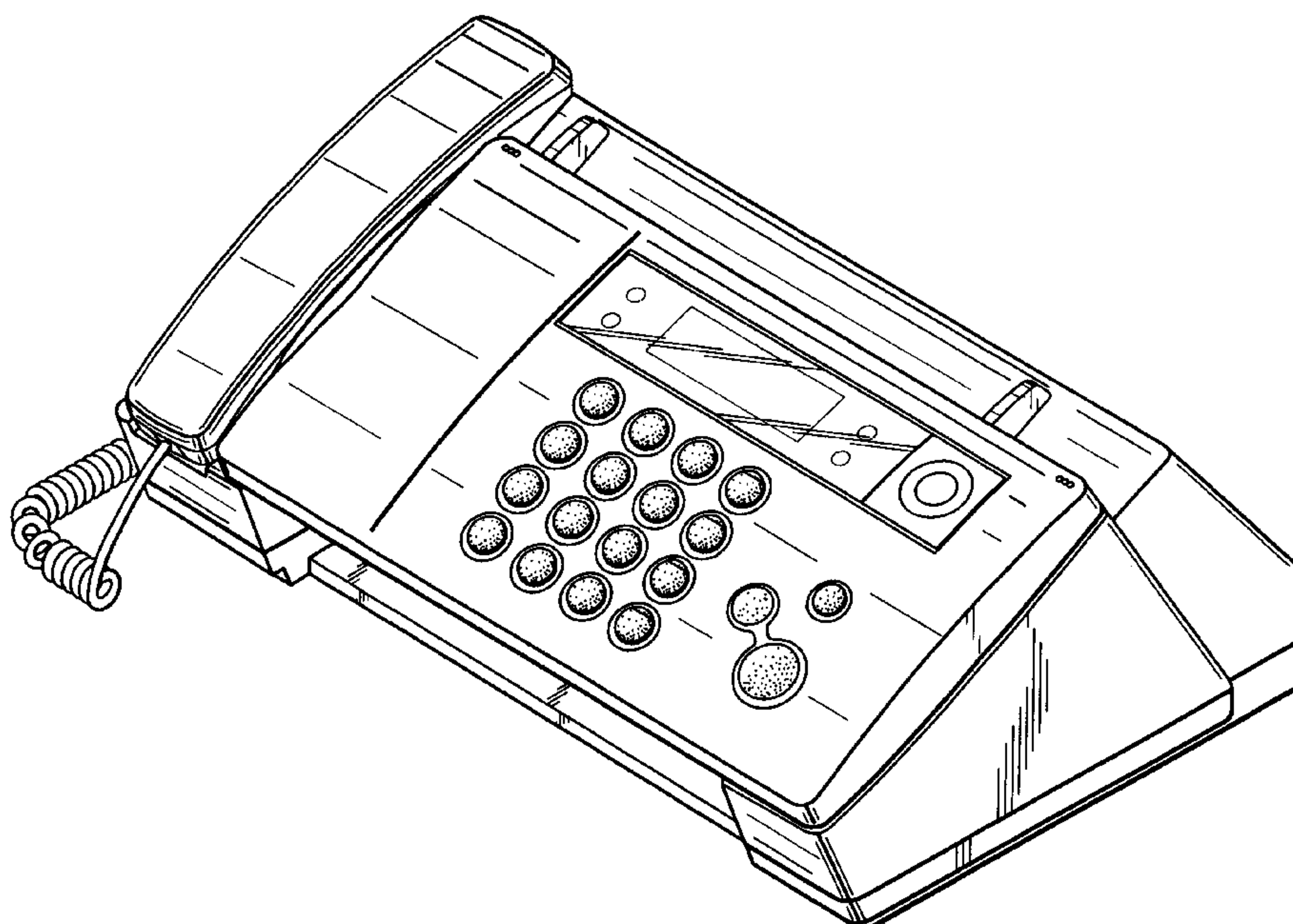
(57) **CLAIM**

The ornamental design for a “facsimile machine,” as shown and described.

DESCRIPTION

FIG. 1 is a top, front and right side perspective view of a facsimile machine according to my design;
FIG. 2 is a top plan view thereof;
FIG. 3 is a bottom plan view thereof;
FIG. 4 is a front elevational view thereof.
FIG. 5 is a rear elevational view thereof;
FIG. 6 is a left side elevational view thereof; and,
FIG. 7 is a right side elevational view thereof.

1 Claim, 6 Drawing Sheets



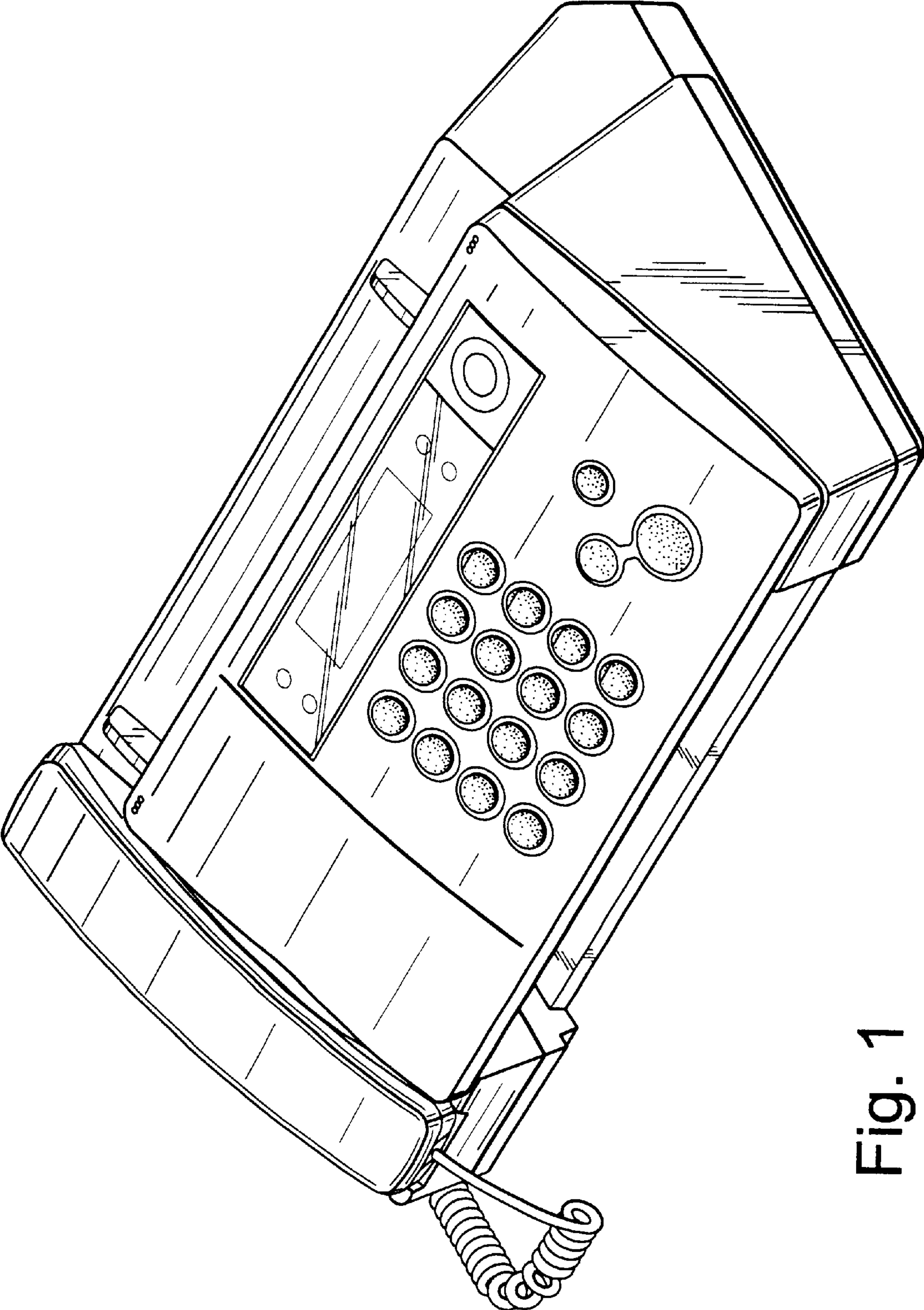


Fig. 1

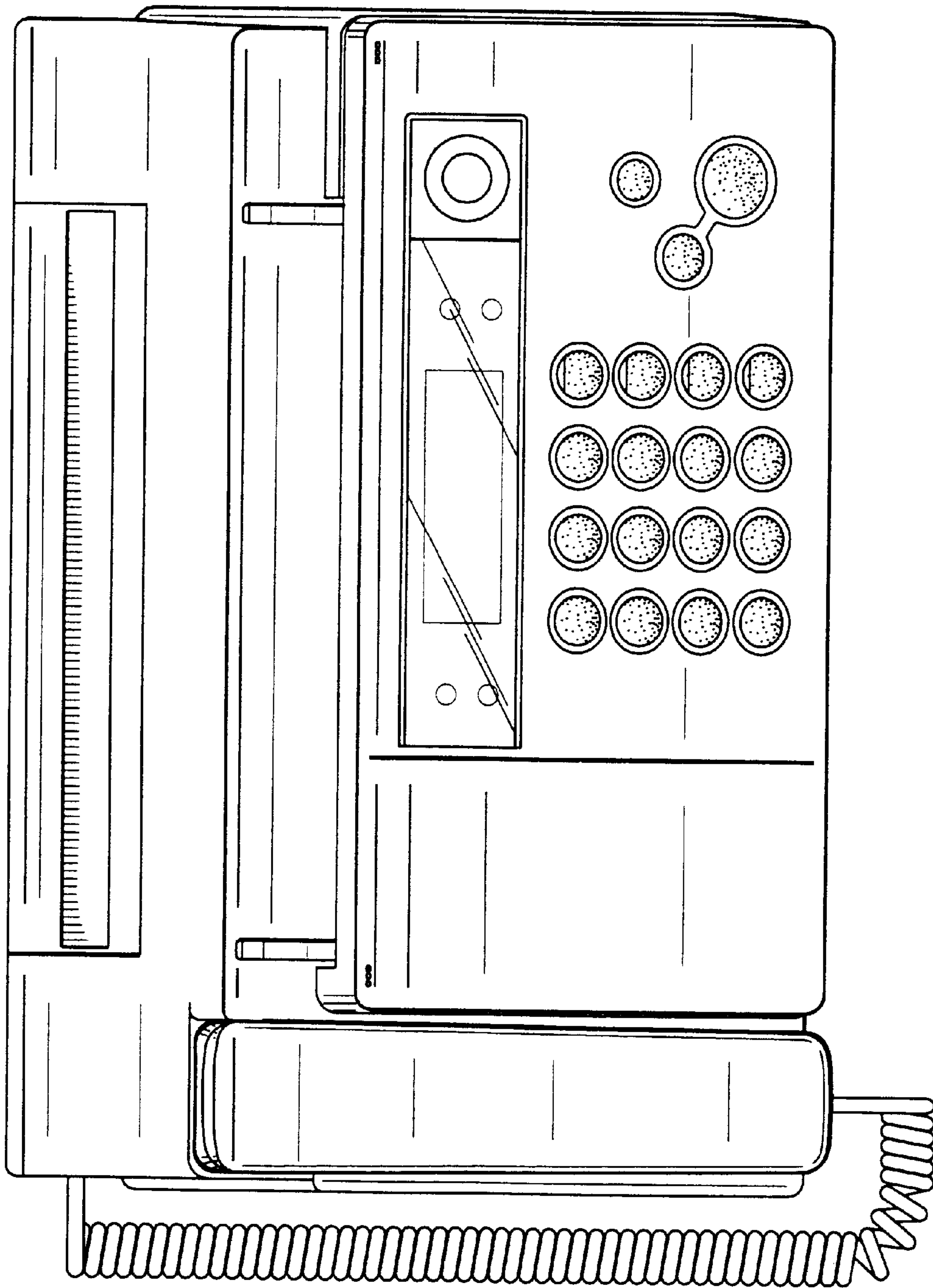


Fig. 2

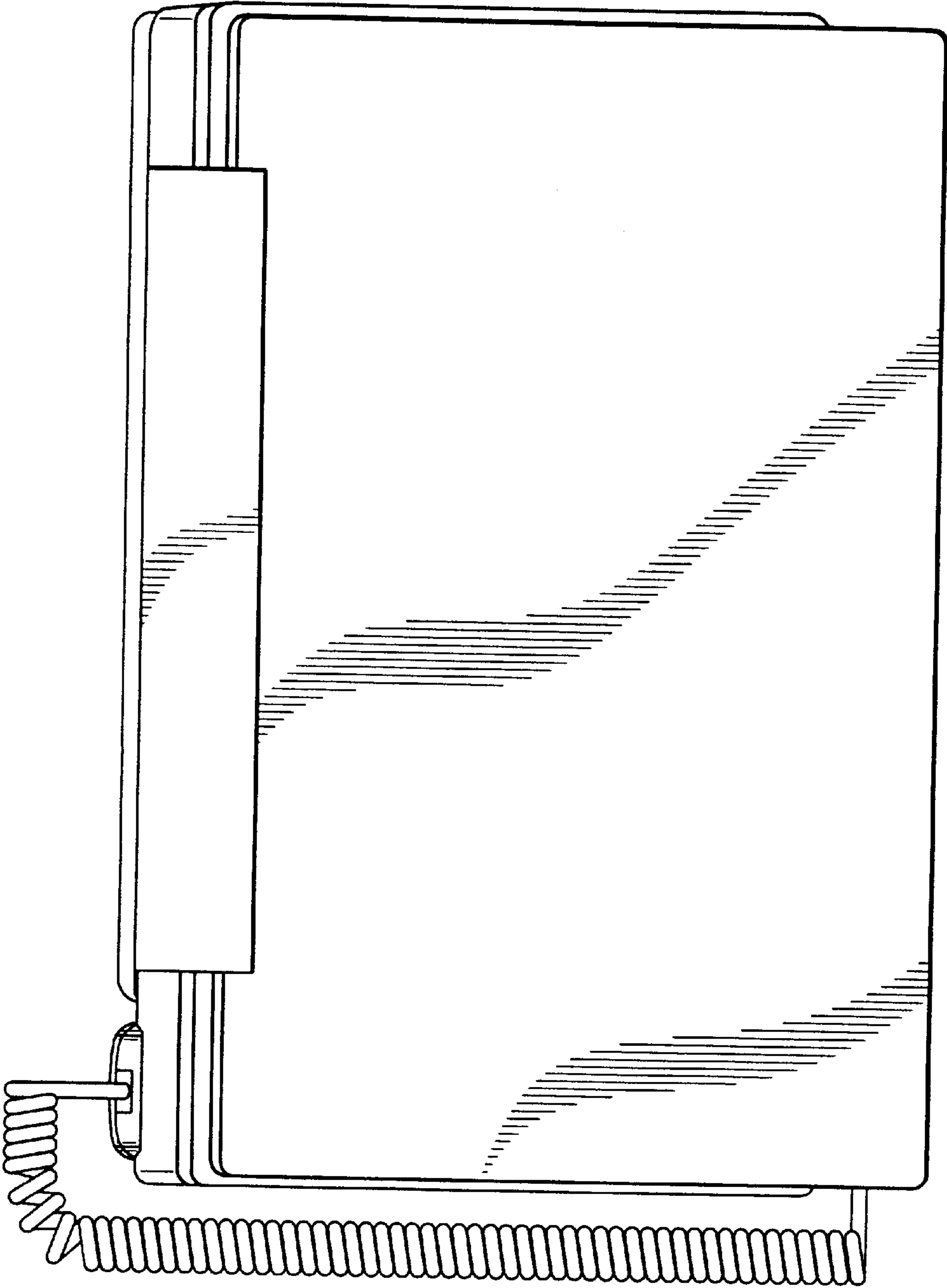


Fig. 3

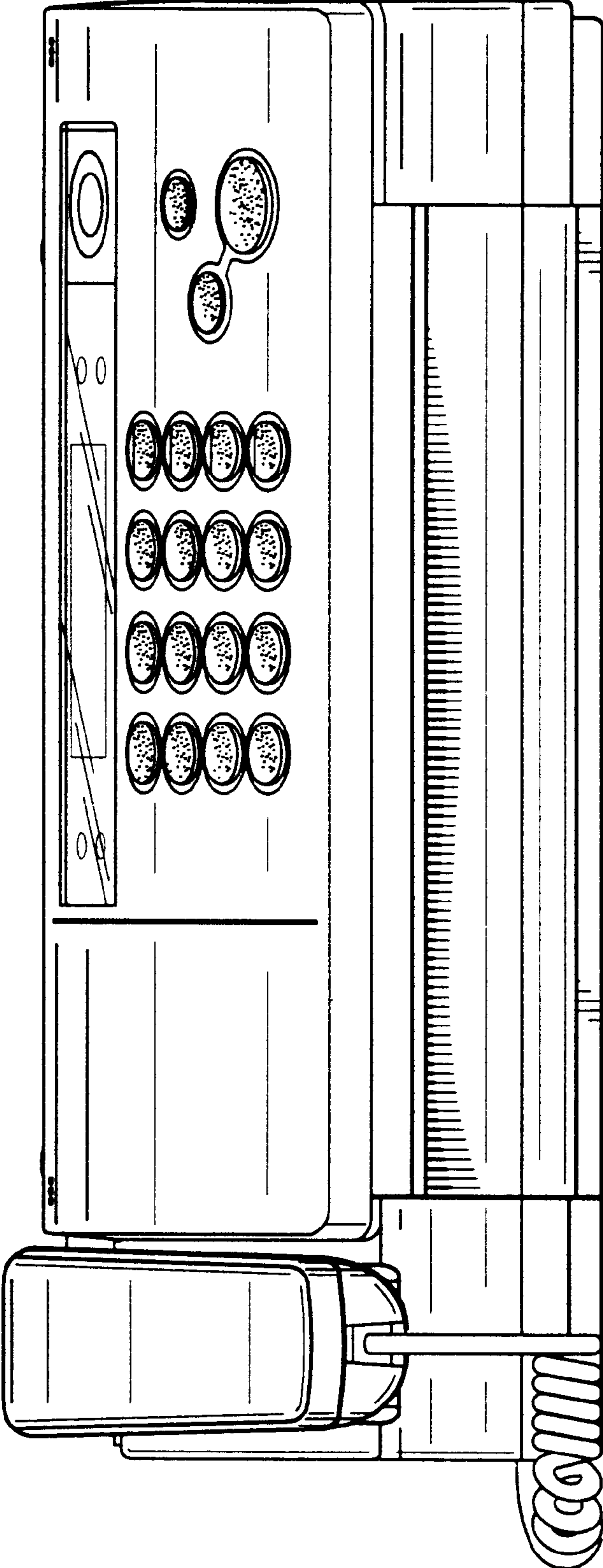


Fig. 4

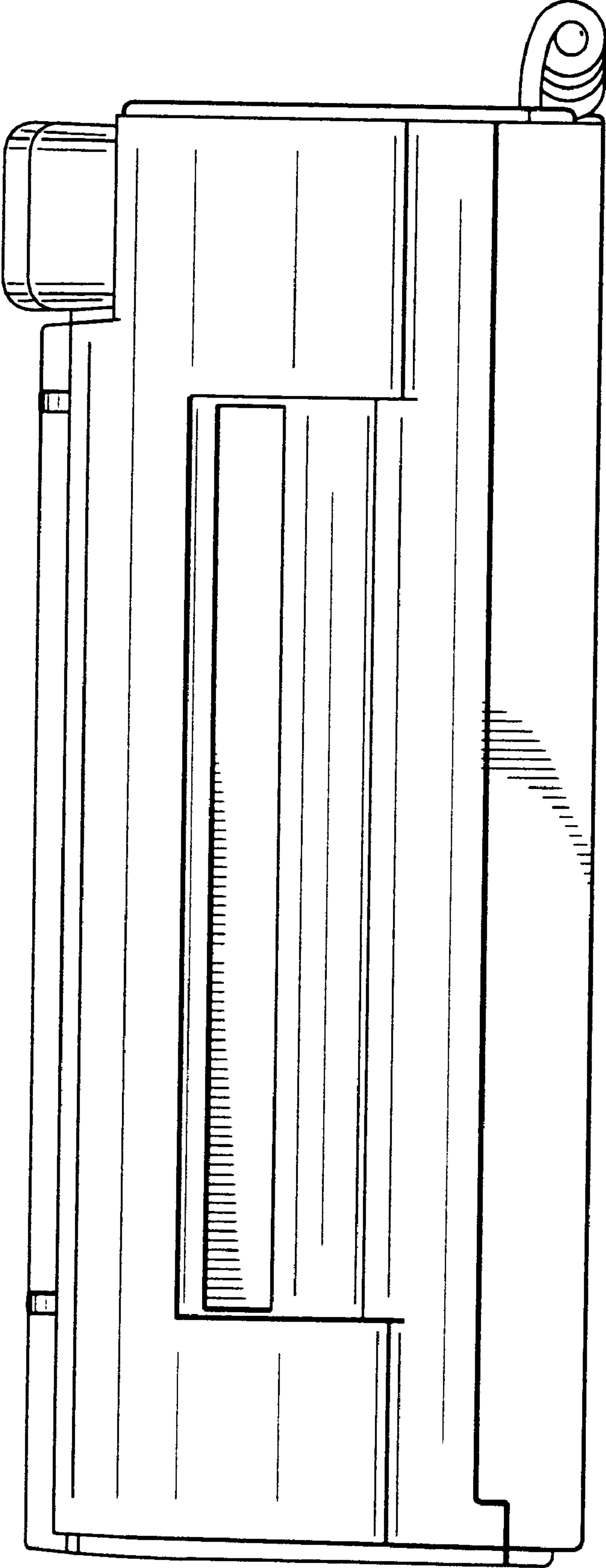


Fig. 5

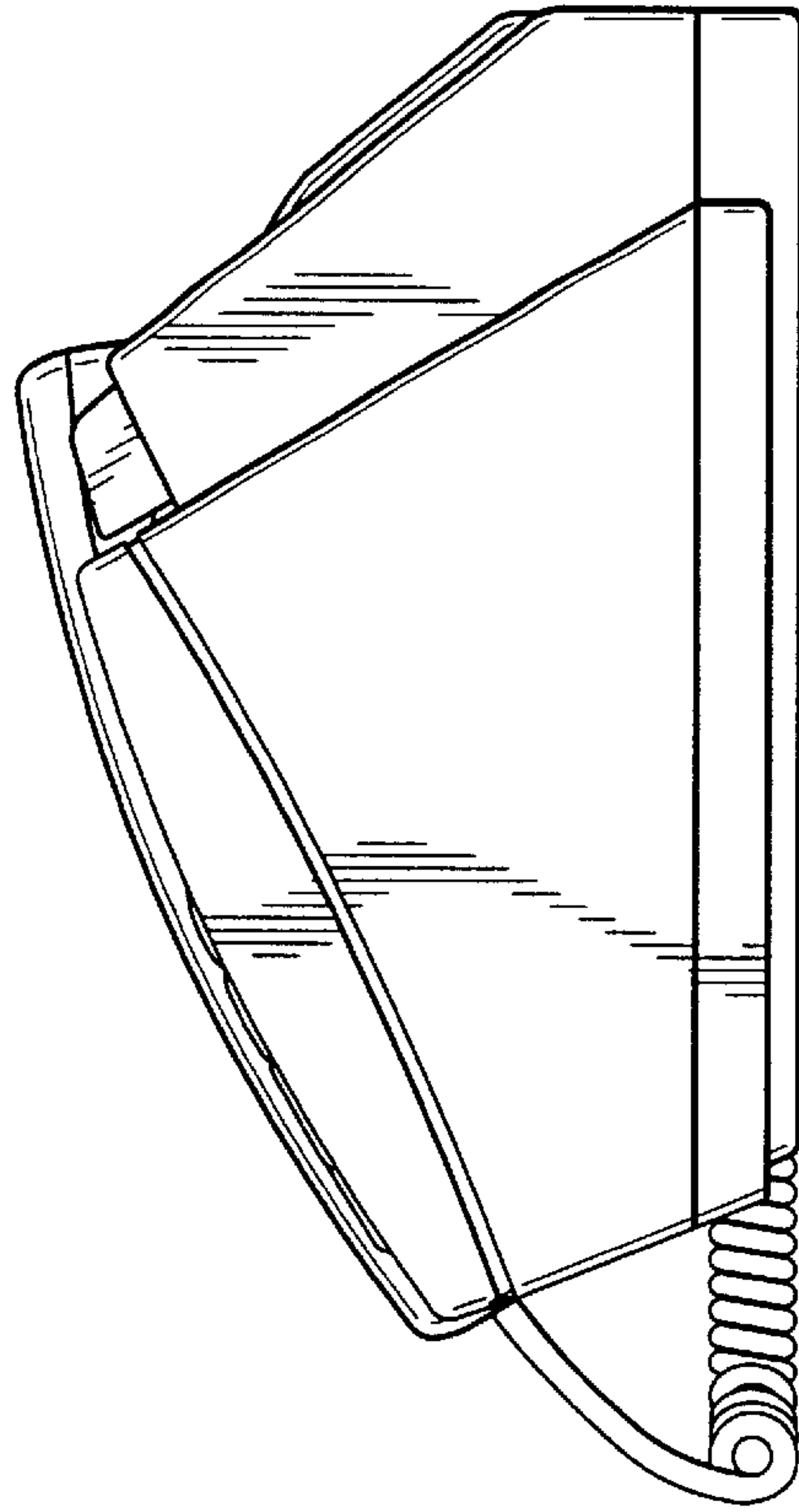


Fig. 7

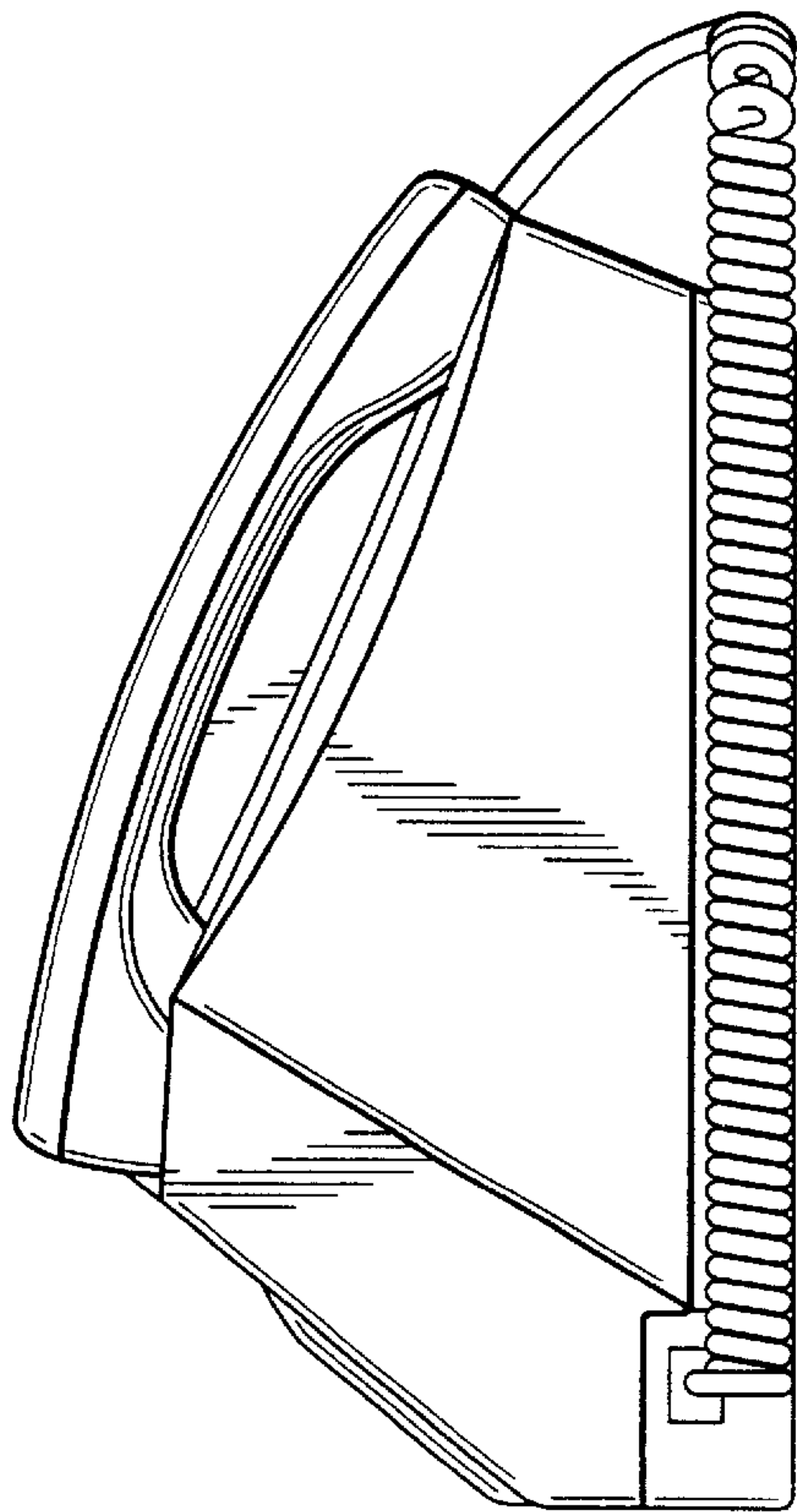


Fig. 6