

US00D507273S

(12) **United States Design Patent**
Ibuki

(10) **Patent No.: US D507,273 S**
(45) **Date of Patent: ** Jul. 12, 2005**

(54) **WIRELESS COMMUNICATION ADAPTER
FOR GAME MACHINE**

(75) Inventor: **Masato Ibuki**, Kyoto (JP)

(73) Assignee: **Nintendo Co., Ltd.**, Kyoto (JP)

(**) Term: **14 Years**

(21) Appl. No.: **29/200,897**

(22) Filed: **Mar. 8, 2004**

(30) **Foreign Application Priority Data**

Sep. 9, 2003 (JP) 2003-026258

(51) **LOC (8) Cl.** **14-02**

(52) **U.S. Cl.** **D14/433; D21/333**

(58) **Field of Search** D14/435-8; D21/324,
D21/333, 385; 273/148 B; 463/1, 46-7,
30, 35; 345/156-6; 369/1-3, 83, 292

(56) **References Cited**

U.S. PATENT DOCUMENTS

- D369,352 S * 4/1996 Iwakami D14/433
- D415,131 S * 10/1999 Chang D14/433
- D459,300 S 6/2002 Kawanobe et al.
- D460,494 S 7/2002 Sugino
- D462,724 S 9/2002 Sugino
- 6,522,552 B1 * 2/2003 Lee 361/752

- D490,072 S * 5/2004 Chan D14/240
- D490,080 S * 5/2004 Alviar et al. D14/433
- D490,404 S * 5/2004 Chan D14/240
- D490,814 S * 6/2004 Kim D14/435
- D491,187 S * 6/2004 Mambakkam et al. D14/433
- D491,565 S * 6/2004 Petit D14/435
- D493,175 S * 7/2004 Schmidt et al. D14/433

* cited by examiner

Primary Examiner—M. H. Tung

(74) *Attorney, Agent, or Firm*—Nixon & Vanderhye P.C.

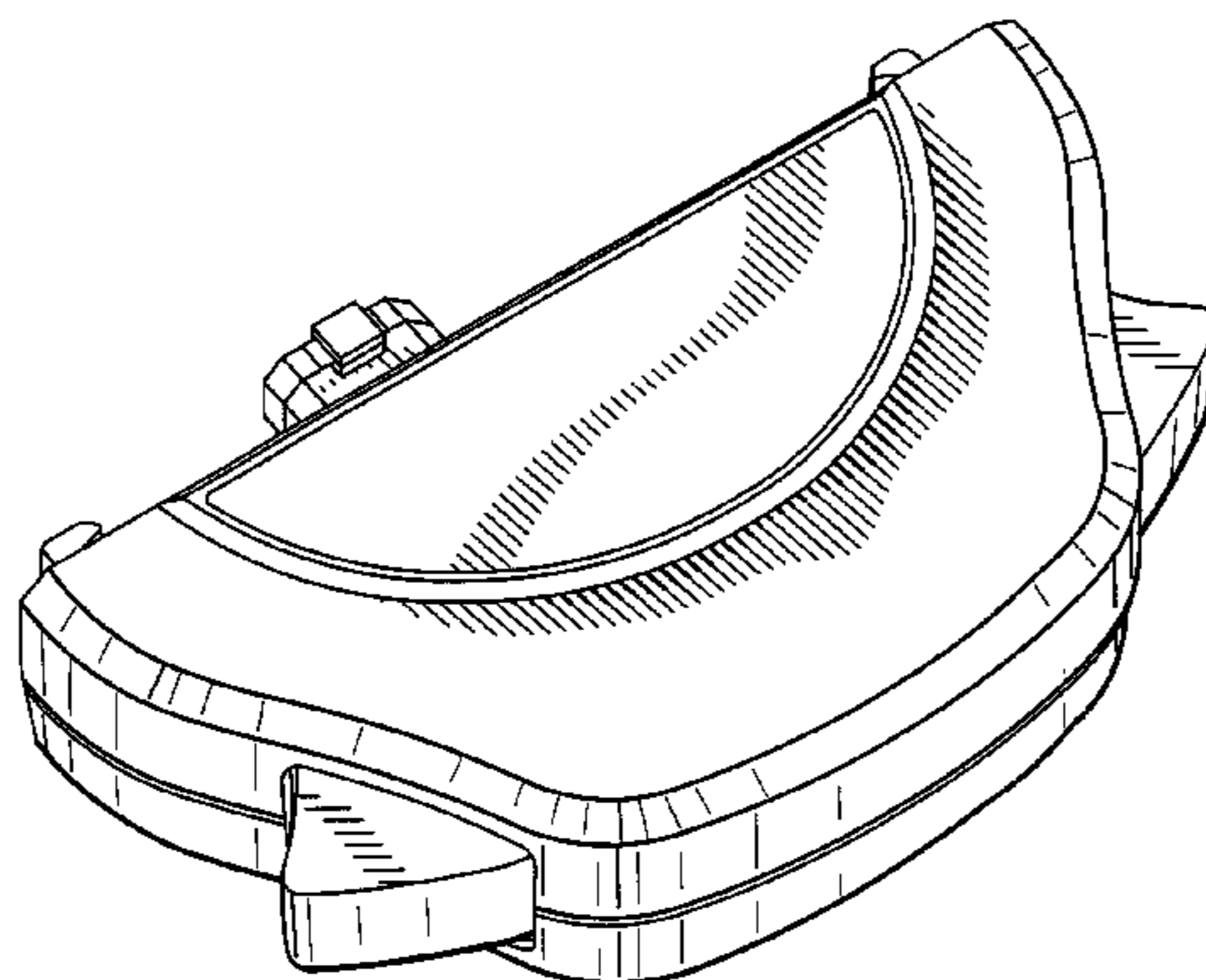
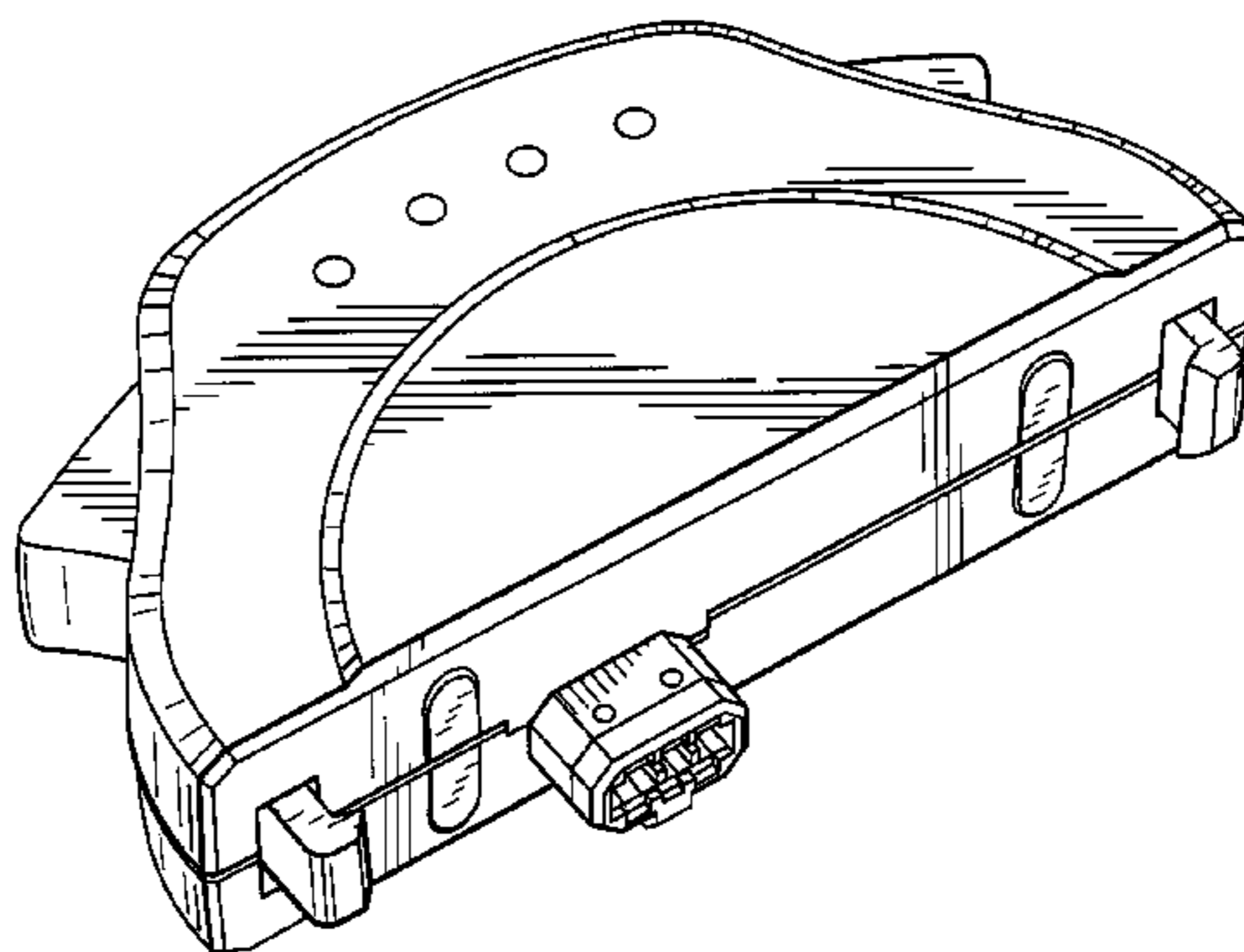
(57) **CLAIM**

The ornamental design for a “wireless communication adapter for game machine,” as shown and described.

DESCRIPTION

FIG. 1 is a top plan view of a wireless communication adapter for game machine;
 FIG. 2 is a front elevational view thereof;
 FIG. 3 is a bottom plan view thereof;
 FIG. 4 is a rear elevational view thereof;
 FIG. 5 is a right side elevational view thereof, the left side is a mirror image thereof;
 FIG. 6 is a top, front and left side perspective view thereof;
 and,
 FIG. 7 is a bottom, rear and left side perspective view.

1 Claim, 4 Drawing Sheets



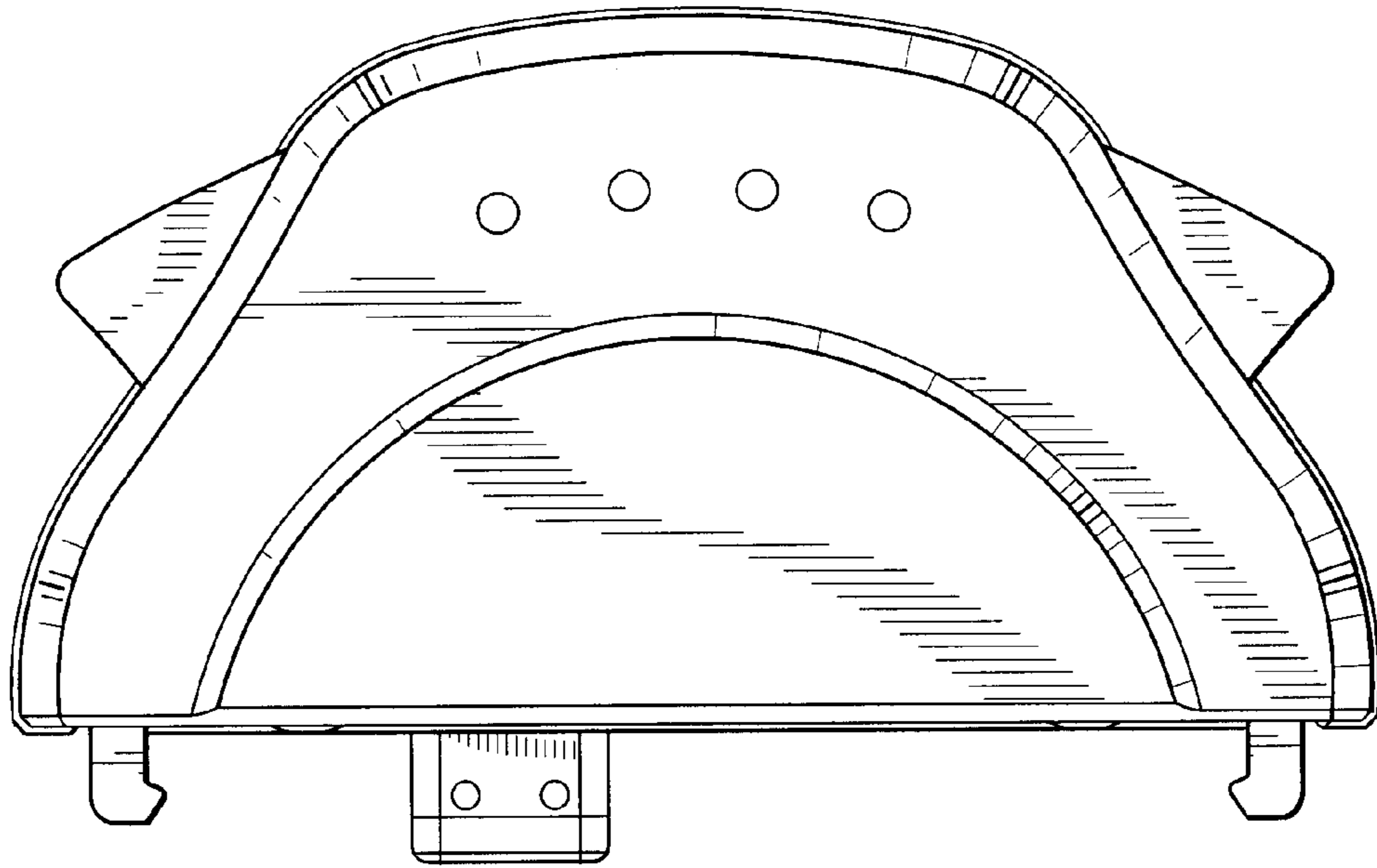


Fig. 1

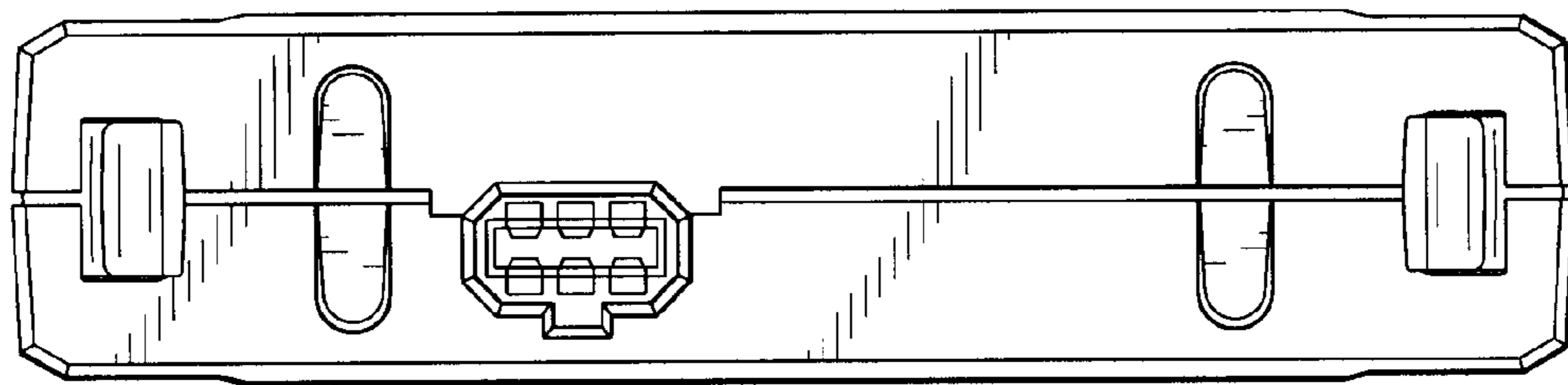


Fig. 2

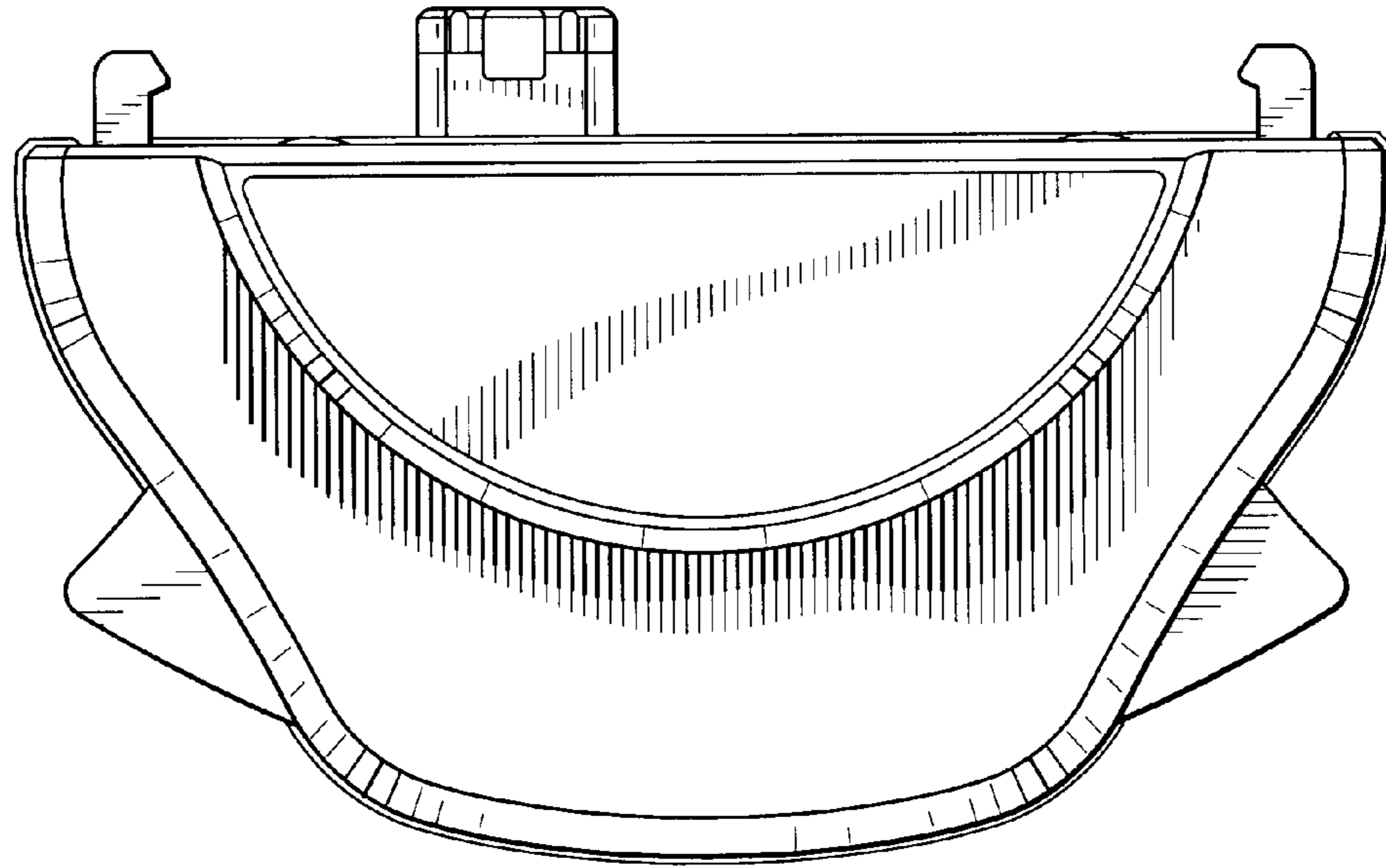


Fig. 3

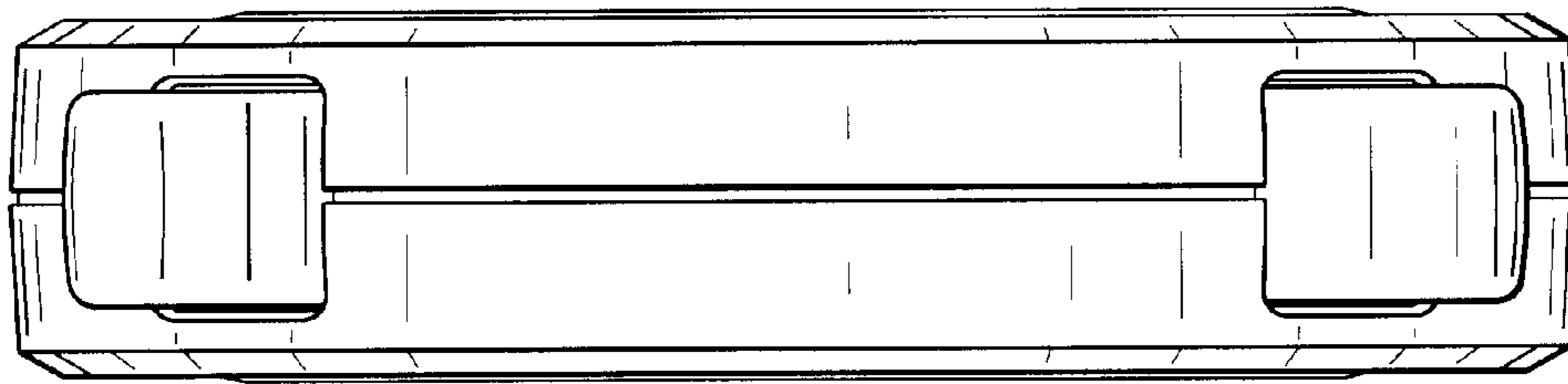


Fig. 4

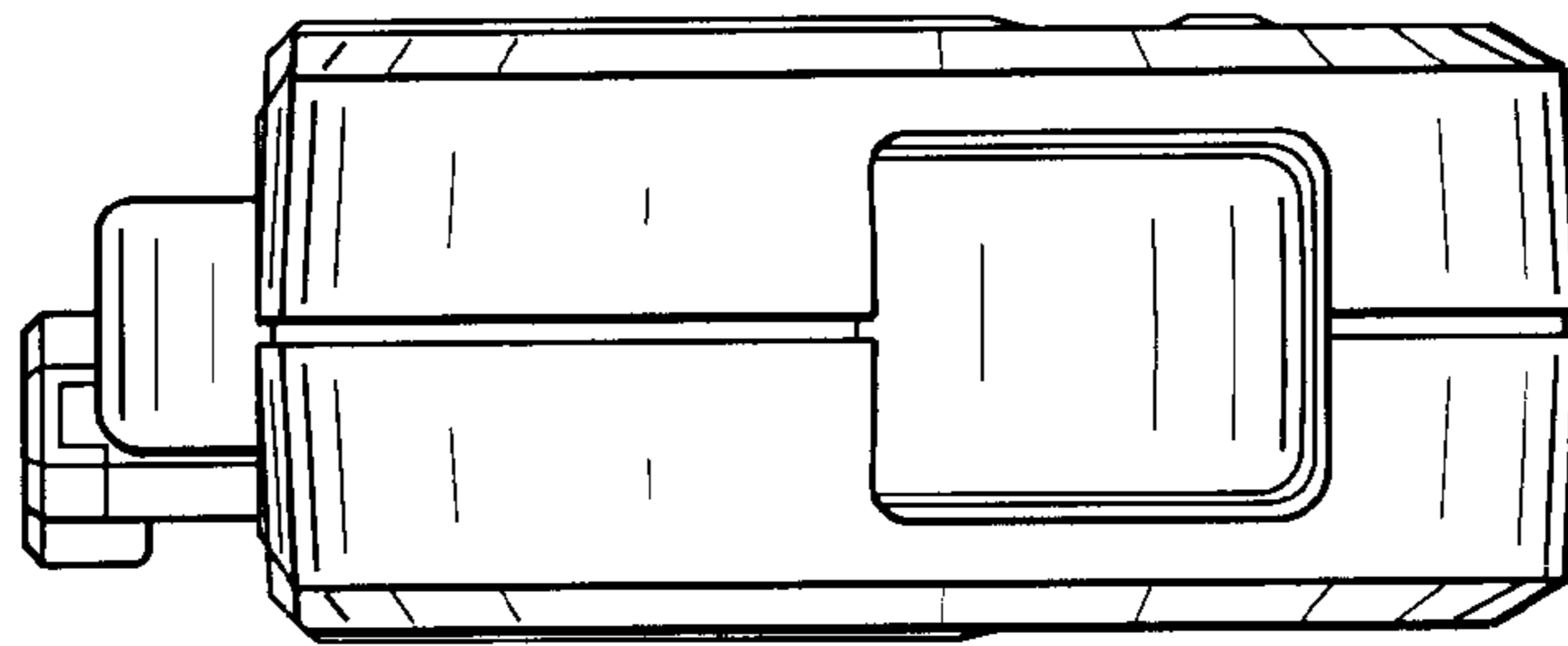


Fig. 5

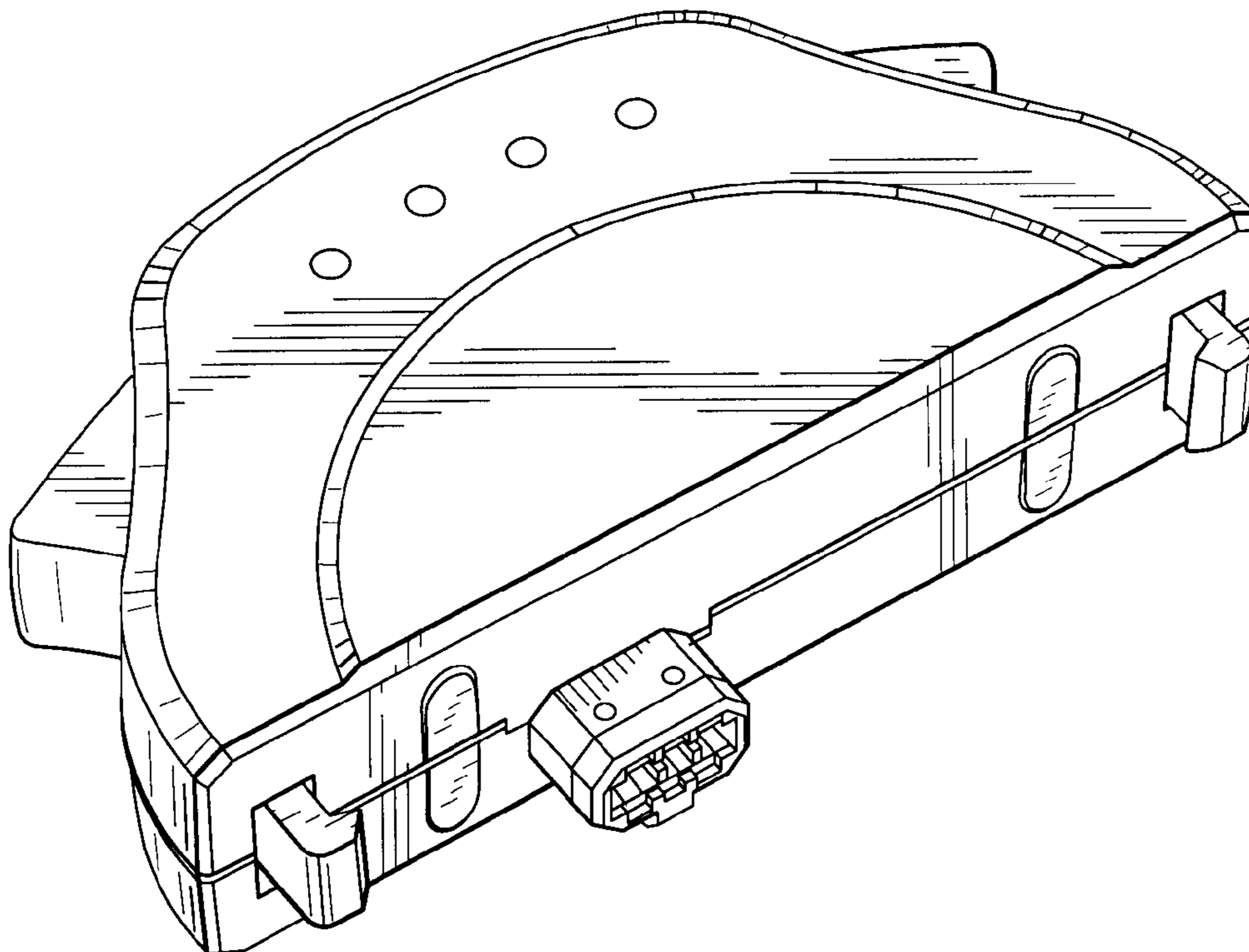


Fig. 6

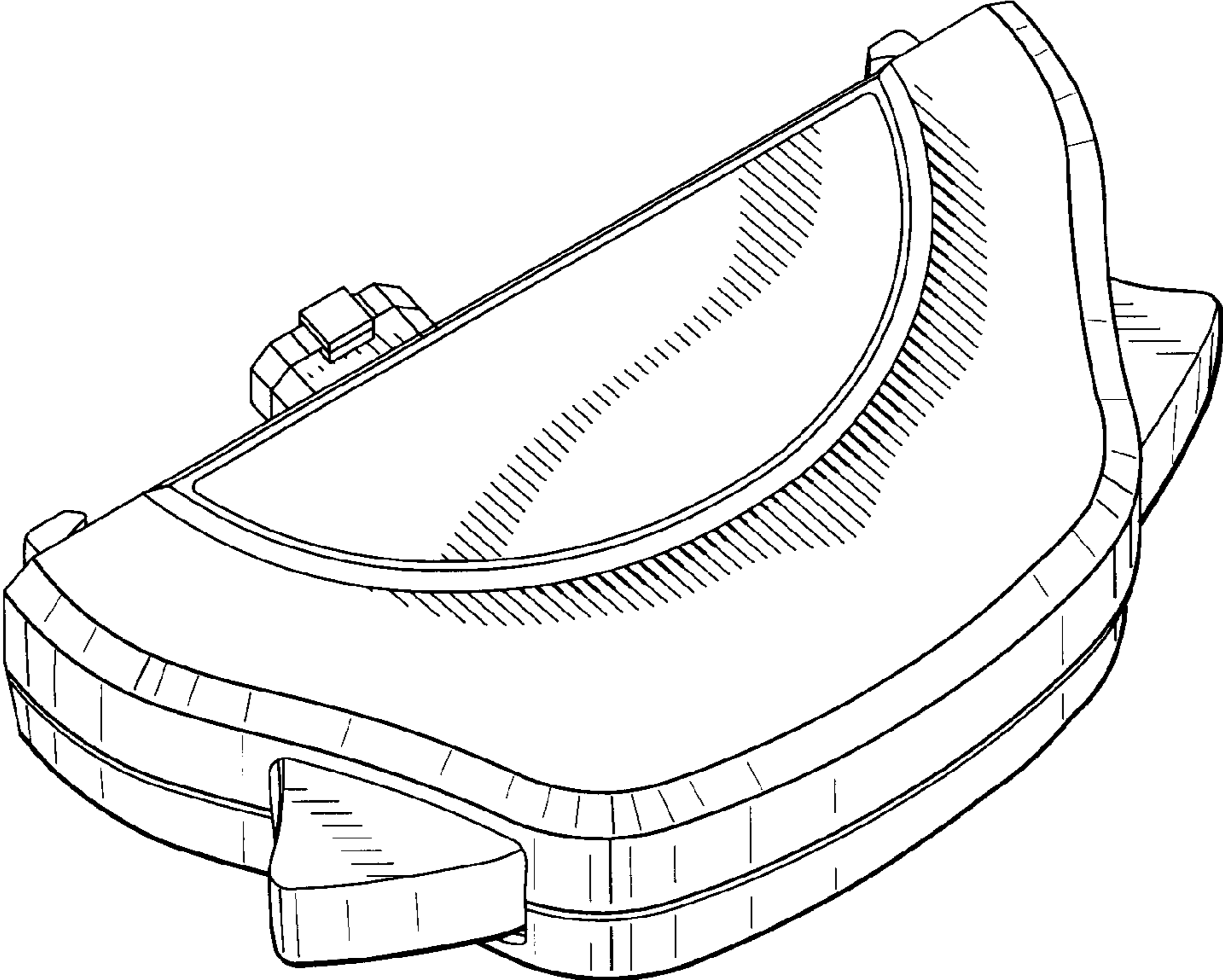


Fig. 7