



US00D507266S

(12) **United States Design Patent**
Phillips et al.

(10) **Patent No.:** **US D507,266 S**
(45) **Date of Patent:** **** Jul. 12, 2005**

(54) **MODULAR COMPUTER WORKSTATION**

(75) Inventors: **Jim Phillips**, Vancouver, WA (US);
Rob Baumgartner, Beaverton, OR (US);
Chris Sautter, Portland, OR (US);
Scott Hartley, Portland, OR (US)

(73) Assignee: **Planar Systems, Inc.**, Beaverton, OR (US)

(**) Term: **14 Years**

(21) Appl. No.: **29/174,845**

(22) Filed: **Jan. 24, 2003**

(51) **LOC (8) Cl.** **14-02**

(52) **U.S. Cl.** **D14/307**

(58) **Field of Search** D14/307, 336,
D14/337, 371, 125-129; 345/104, 156,
168, 173; 348/180, 184, 325, 739; 349/1,
2, 11, 62; 341/12

(56) **References Cited**

U.S. PATENT DOCUMENTS

D434,033 S	*	11/2000	Ho	D14/337
D442,951 S		5/2001	Hill et al.		
D446,208 S	*	8/2001	Zachl	D14/302
6,366,453 B1		4/2002	Wang et al.		
D457,882 S	*	5/2002	Harcisztark	D14/337

* cited by examiner

Primary Examiner—Freda S. Nunn

(74) *Attorney, Agent, or Firm*—Stoel Rives LLP

(57) **CLAIM**

We claim the ornamental design for a modular computer workstation, as shown and described.

DESCRIPTION

FIG. 1 is a perspective view of a modular computer workstation in accordance with a first embodiment of the invention, shown with the display and computer processor por-

tions of the modular computer workstation coupled together as an integrated unit;

FIG. 2 is a front elevation view of the modular computer workstation of FIG. 1;

FIG. 3 is a top plan view of the modular computer workstation of FIG. 1;

FIG. 4 is a bottom plan view of the modular computer workstation of FIG. 1;

FIG. 5 is a right side elevation view of the modular computer workstation of FIG. 1;

FIG. 6 is a left side elevation view of the modular computer workstation of FIG. 1;

FIG. 7 is a left rear perspective view of the modular computer workstation of FIG. 1;

FIG. 8 is a front perspective view of a modular computer workstation in accordance with a second embodiment of the invention;

FIG. 9 is a rear perspective view of the modular computer workstation of FIG. 8 with a cosmetic panel removed to show mounting features, which form no part of the claimed design;

FIG. 10 is a front perspective view of the modular computer workstation of FIG. 8 shown in a first alternative configuration with a display portion of the modular computer workstation separated from a computer processor portion of the modular computer workstation; and,

FIG. 11 is a view of the modular computer workstation of FIG. 8 shown in a second alternative configuration with the display portion separated from the computer processor portion and both the display and computer processor portions may be mounted to a wall surface.

The broken lines are shown in the views for illustrative purposes only and form no part of the claimed design.

1 Claim, 6 Drawing Sheets

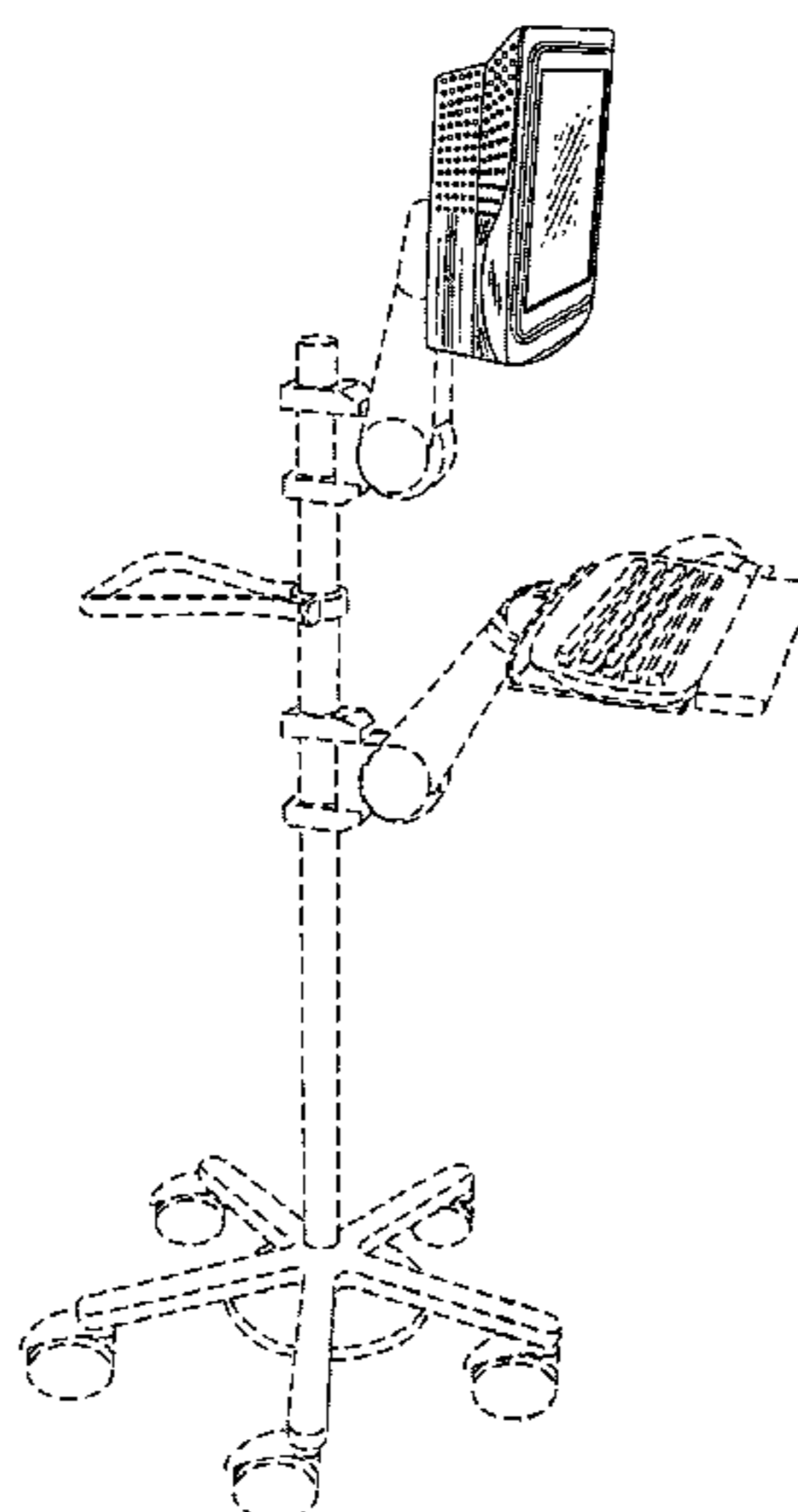
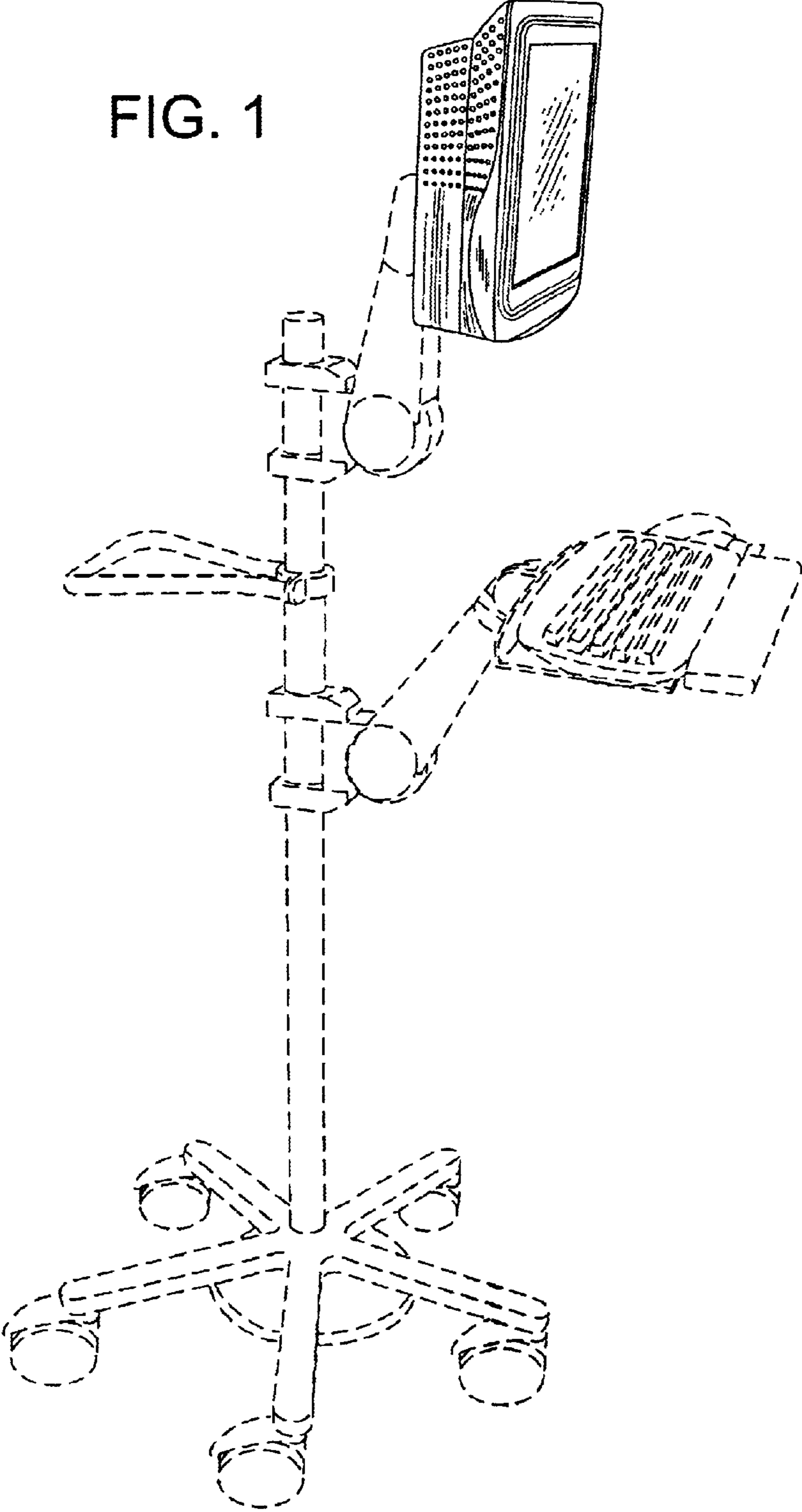


FIG. 1



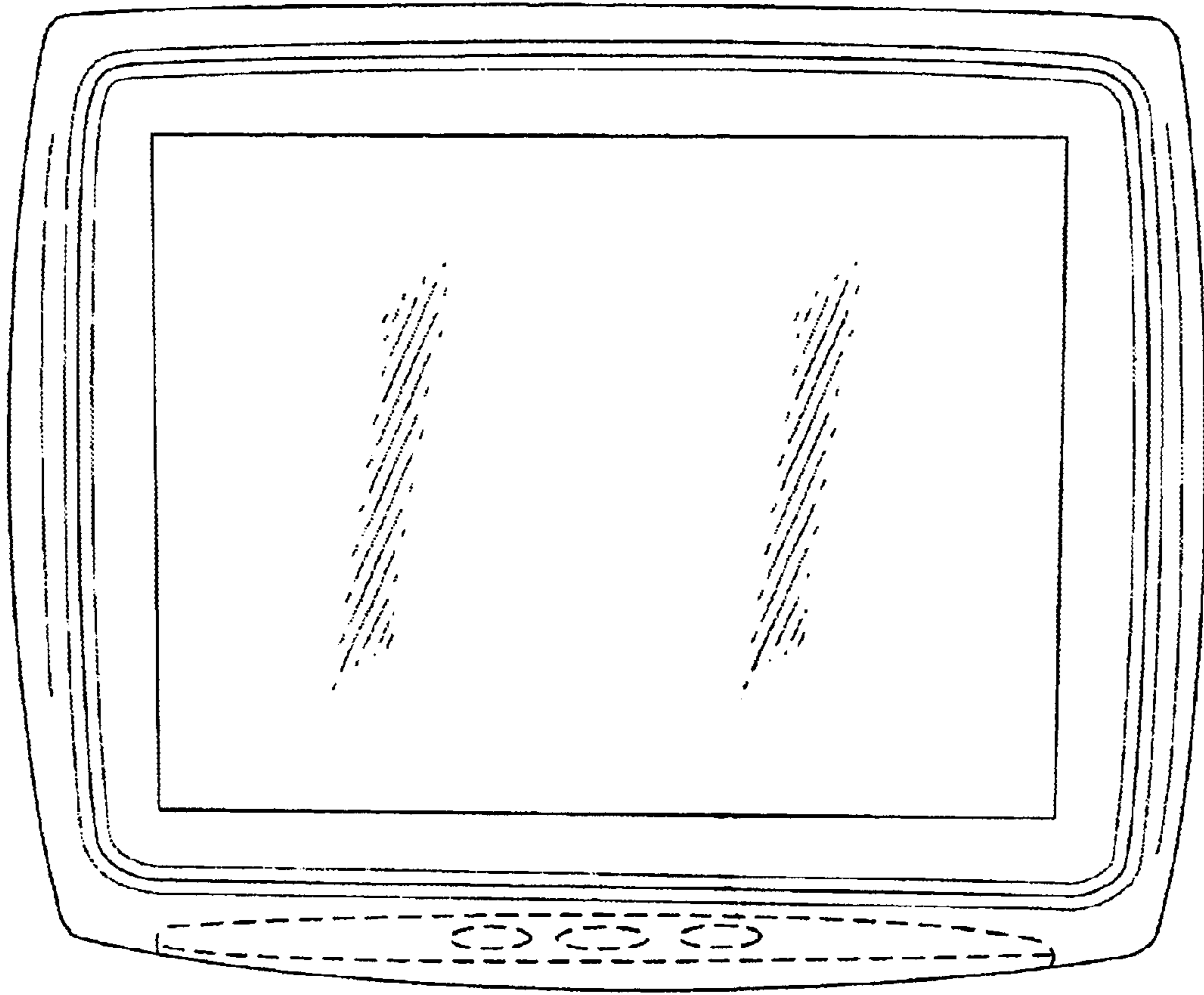


FIG. 2

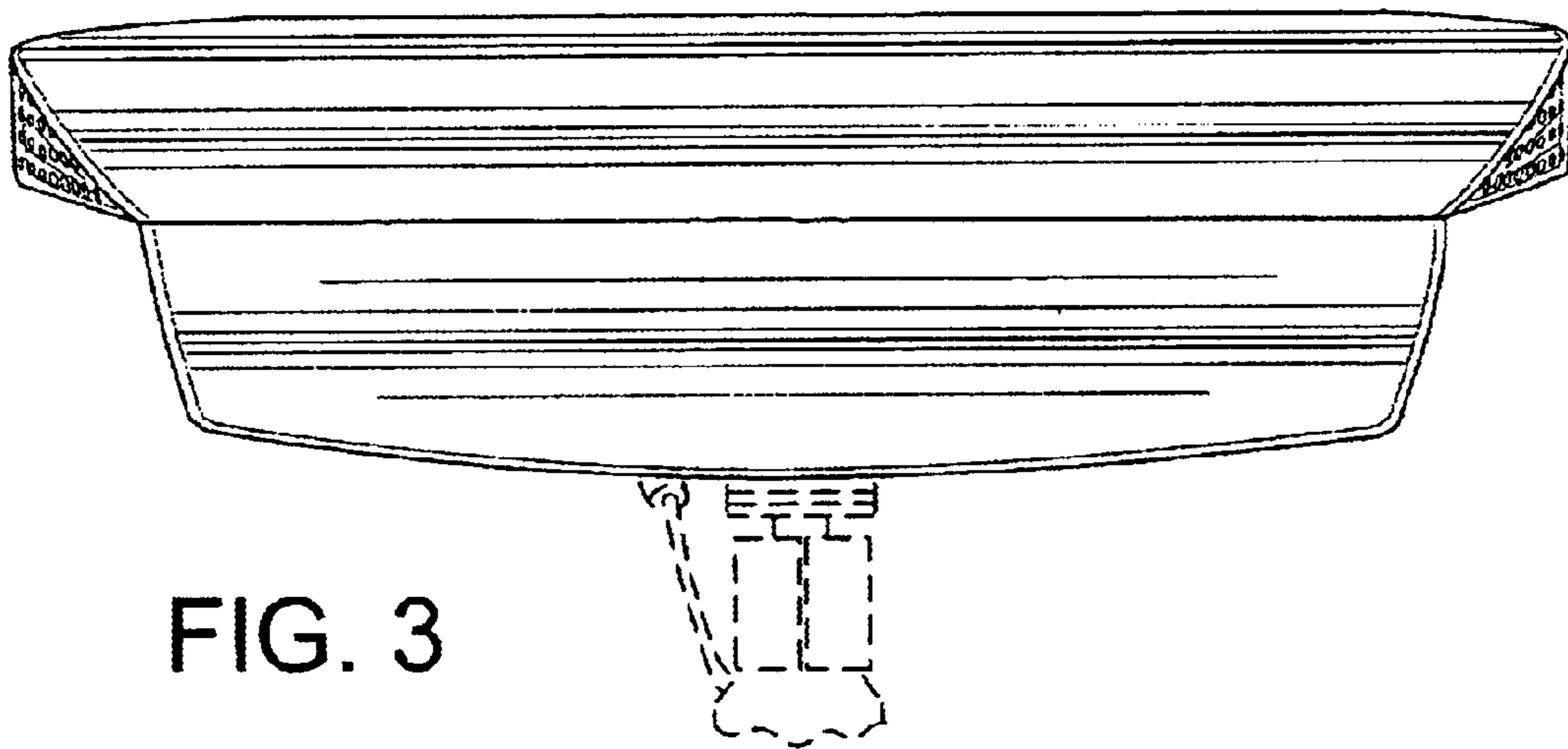


FIG. 3

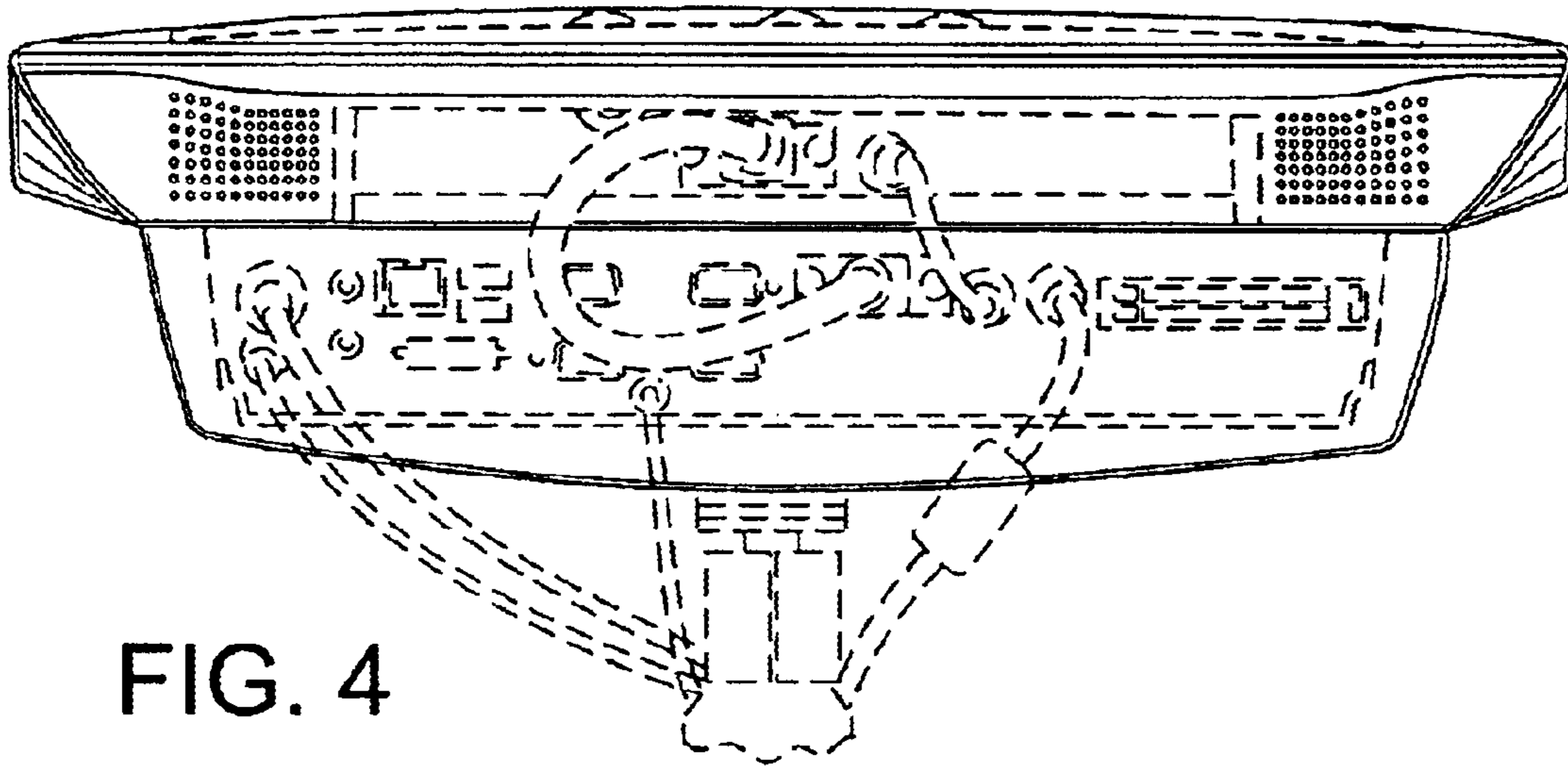


FIG. 5

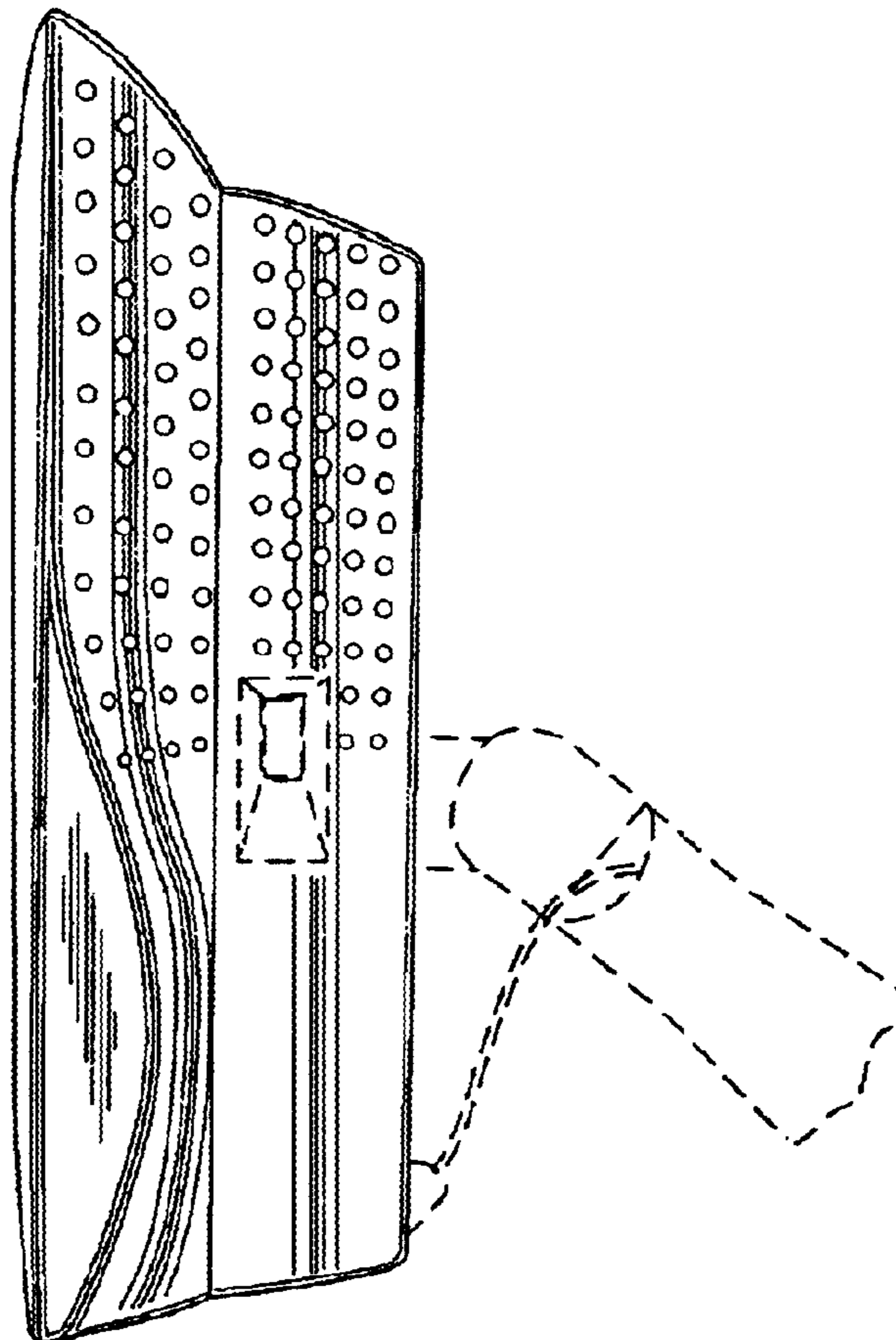


FIG. 6

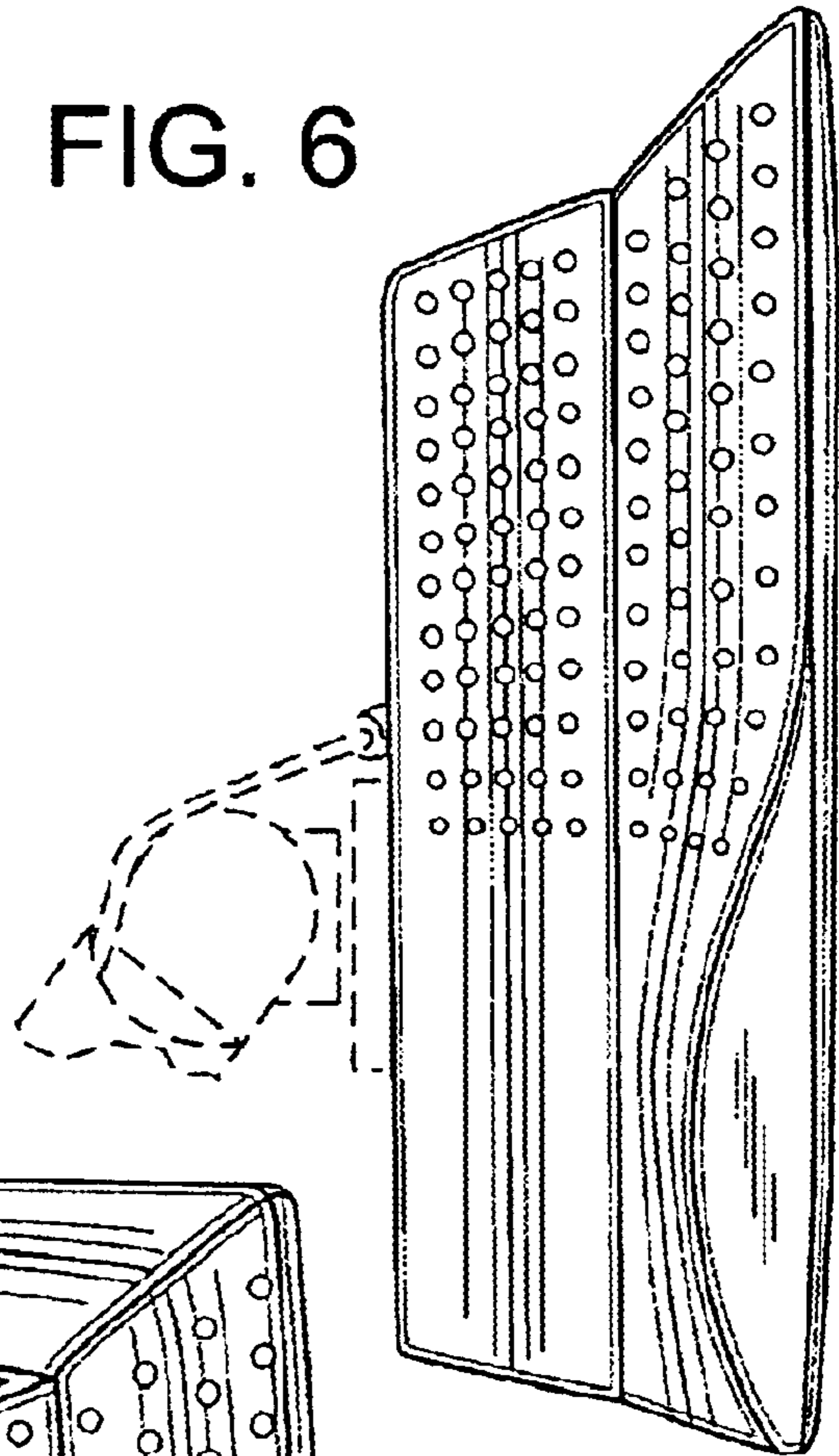


FIG. 7

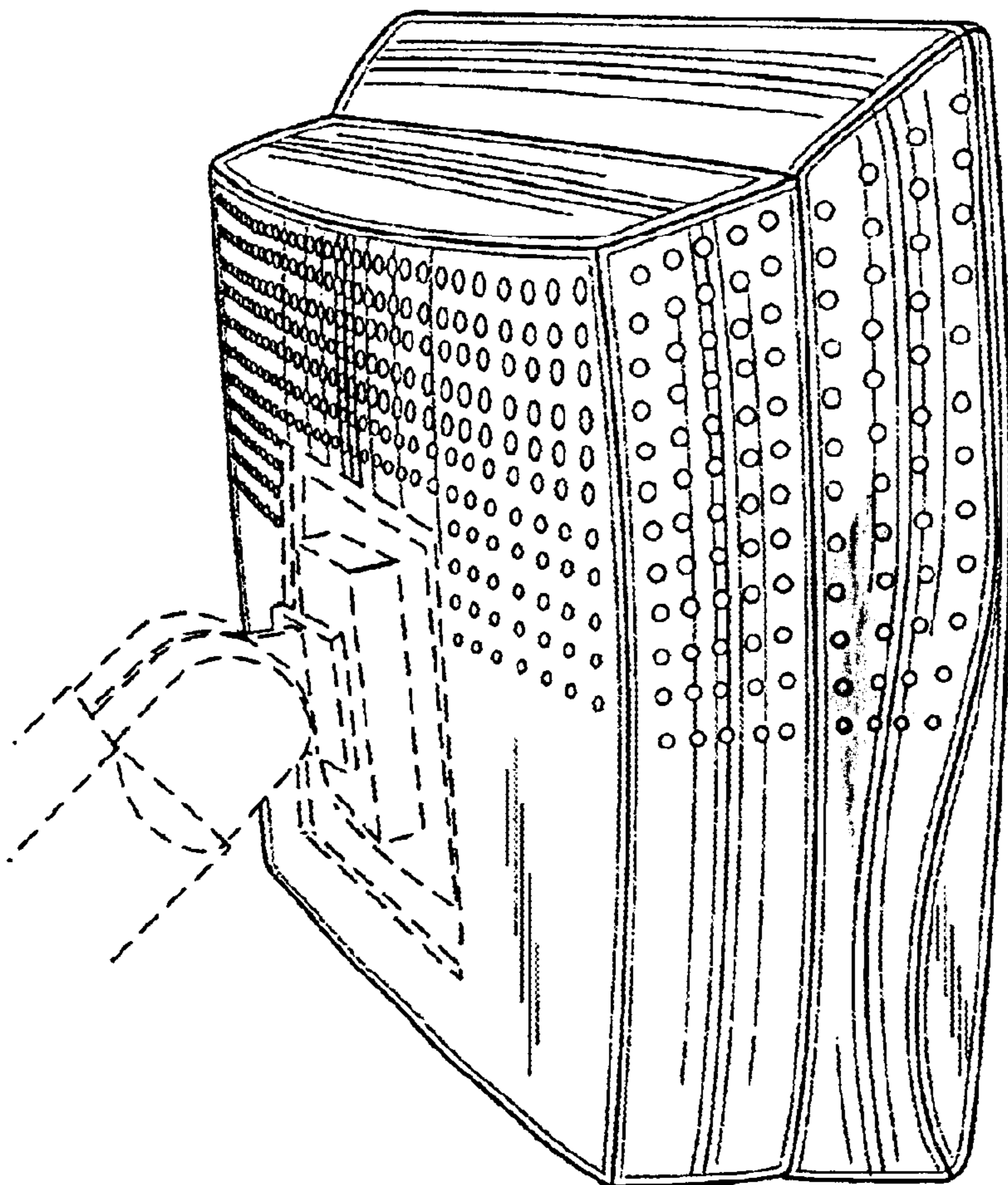


FIG. 8

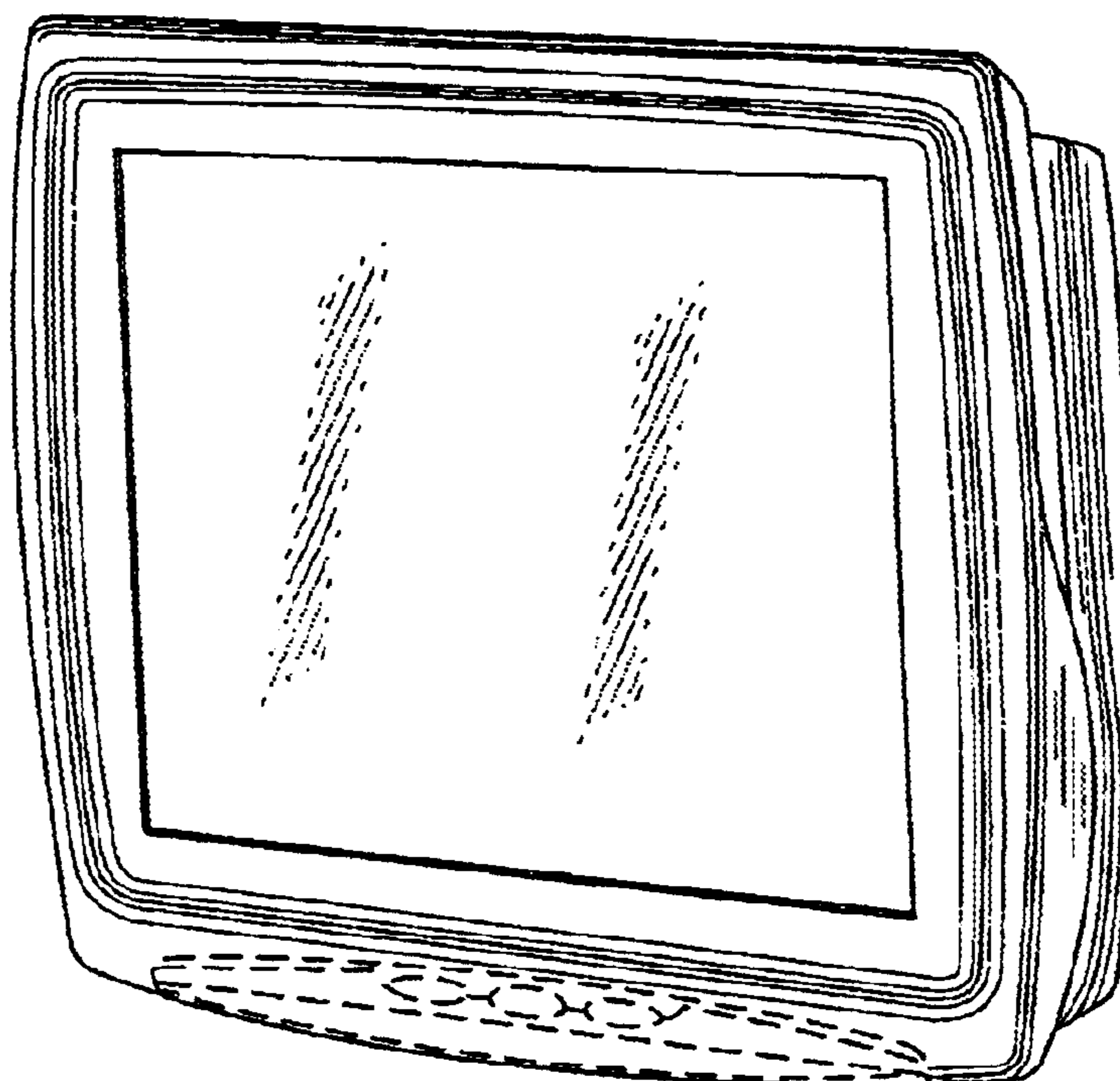


FIG. 9

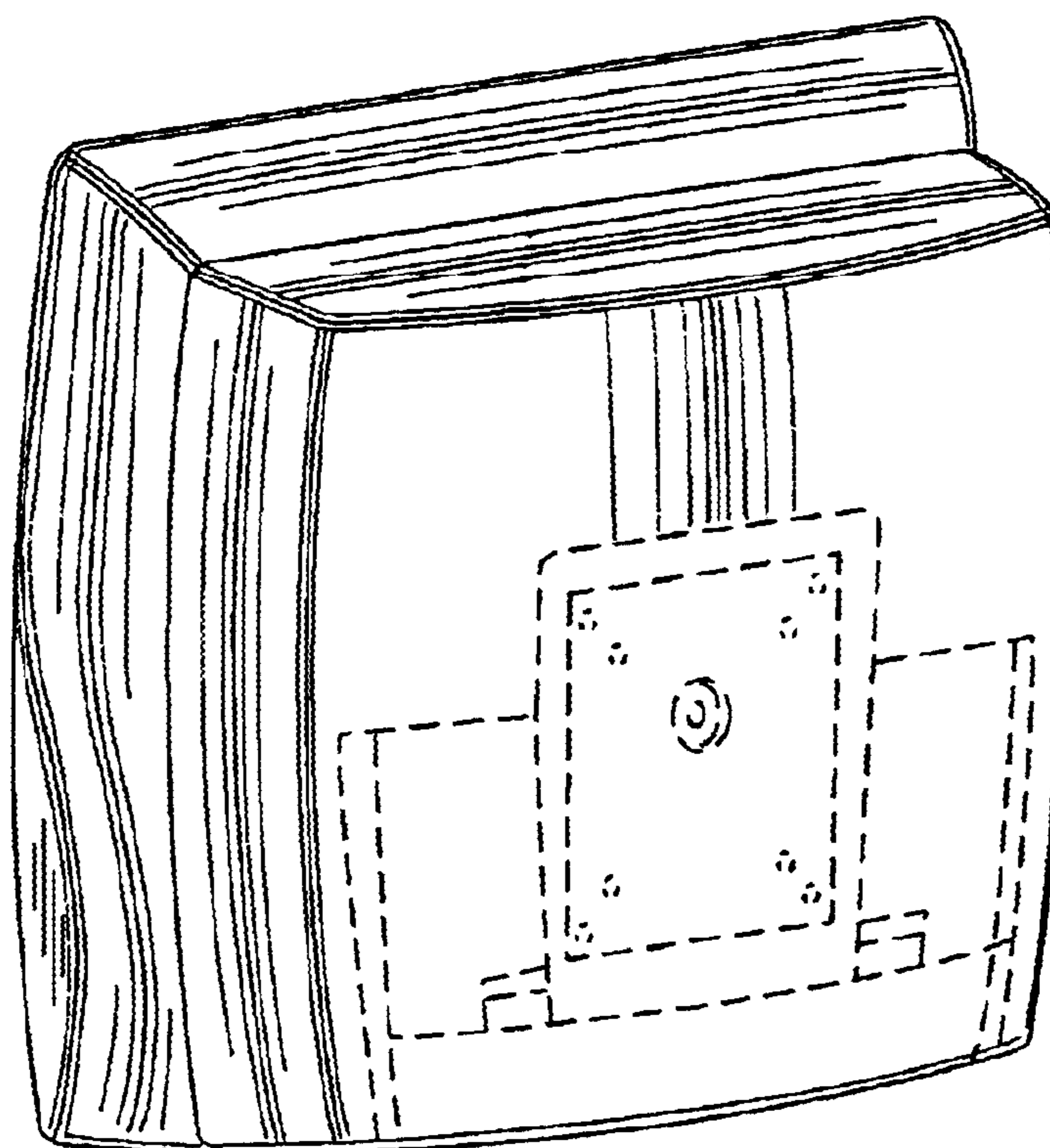


FIG. 10

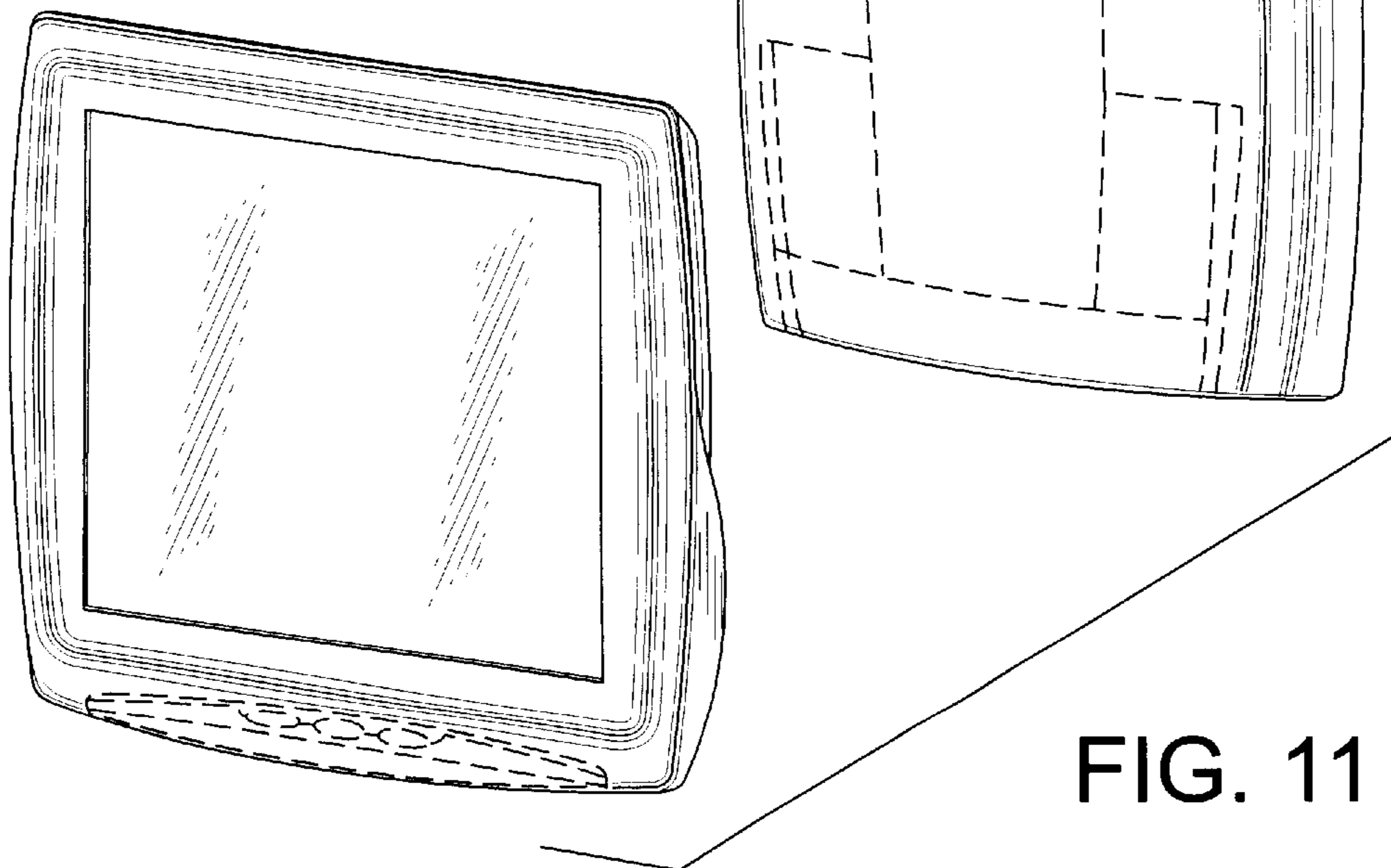
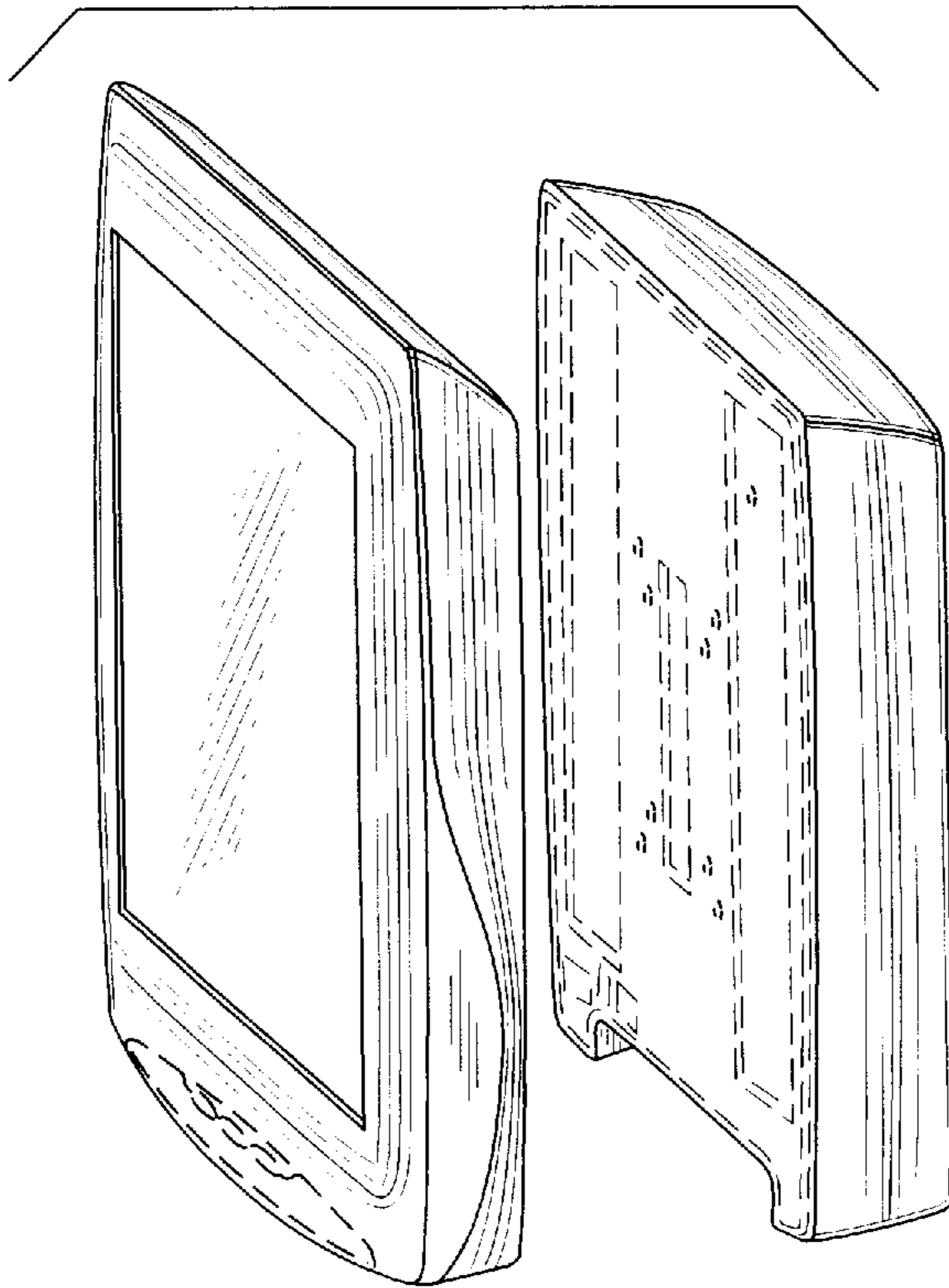


FIG. 11