

US00D507265S

(12) **United States Design Patent**  
**Koike**

(10) **Patent No.:** **US D507,265 S**  
(45) **Date of Patent:** **\*\* Jul. 12, 2005**

(54) **PICKUP FOR DISC PLAYER**

(75) Inventor: **Hiroki Koike**, Tokyo (JP)

(73) Assignee: **Sony Corporation**, Tokyo (JP)

(\*\*) Term: **14 Years**

(21) Appl. No.: **29/195,878**

(22) Filed: **Dec. 19, 2003**

(51) **LOC (8) Cl.** ..... **14-03**

(52) **U.S. Cl.** ..... **D14/260**

(58) **Field of Search** ..... D14/260, 366,  
D14/217, 156, 299, 239; 720/606, 659,  
661, 664, 665, 671, 681, 684, 691, 694;  
369/264

(56) **References Cited**

**U.S. PATENT DOCUMENTS**

5,119,362	A *	6/1992	Yanagisawa	720/665
5,177,731	A *	1/1993	Tanaka et al.	720/700
5,633,850	A *	5/1997	Park	720/608
5,886,977	A *	3/1999	Ota et al.	720/665
D433,676	S	11/2000	Yamada et al.	
6,219,327	B1 *	4/2001	Kim et al.	720/671
D443,874	S *	6/2001	Asaga et al.	D14/260
6,250,169	B1 *	6/2001	Weisser	74/89.17
6,266,311	B1 *	7/2001	Song et al.	720/609
6,430,143	B1 *	8/2002	Kajiyama et al.	720/671
6,445,674	B1 *	9/2002	Morita	720/671
6,449,224	B1 *	9/2002	Lee et al.	369/44.14
6,452,887	B2 *	9/2002	Nakayama et al.	720/664
6,496,472	B1 *	12/2002	Liao et al.	369/264
D475,365	S	6/2003	Yamamoto	
6,614,748	B2 *	9/2003	Shiomi et al.	720/697
6,744,723	B2 *	6/2004	Kirinoe	720/684
6,751,182	B1 *	6/2004	Shiomi et al.	369/219.1

D500,760	S *	1/2005	Kirii et al.	D14/260
2001/0022771	A1 *	9/2001	Muto et al.	369/219
2002/0154594	A1 *	10/2002	Lee	369/264
2002/0186640	A1 *	12/2002	Shimizu et al.	369/75.2
2003/0185132	A1 *	10/2003	Ariyoshi	369/75.2
2003/0193872	A1 *	10/2003	Kagawa	369/75.2
2004/0017765	A1 *	1/2004	Arase	369/244
2004/0017766	A1 *	1/2004	Monden et al.	369/263
2004/0095856	A1 *	5/2004	Nogami	369/44.23
2004/0111735	A1 *	6/2004	Yang	720/671
2004/0143837	A1 *	7/2004	Kim	720/611
2004/0144189	A1 *	7/2004	Nakamura et al.	74/89.18
2004/0194121	A1 *	9/2004	Liao et al.	720/694
2004/0233564	A1 *	11/2004	Kim	360/39
2004/0255316	A1 *	12/2004	Ryu	720/672
2004/0268372	A1 *	12/2004	Liu	720/601
2005/0010940	A1 *	1/2005	Guo et al.	720/659

\* cited by examiner

*Primary Examiner*—Joel A. Sincavage

*Assistant Examiner*—Austin Murphy

(74) *Attorney, Agent, or Firm*—Rader, Fishman & Grauer PLLC

(57) **CLAIM**

The ornamental design for a pickup for disc player, as shown.

**DESCRIPTION**

FIG. 1 is a perspective view of a pickup for disc player showing my new design;  
FIG. 2 is a front elevational view thereof;  
FIG. 3 is a rear elevational view thereof;  
FIG. 4 is a left side elevational view thereof;  
FIG. 5 is a right side elevational view thereof;  
FIG. 6 is a top plan view thereof; and,  
FIG. 7 is a bottom plan view thereof.

**1 Claim, 4 Drawing Sheets**

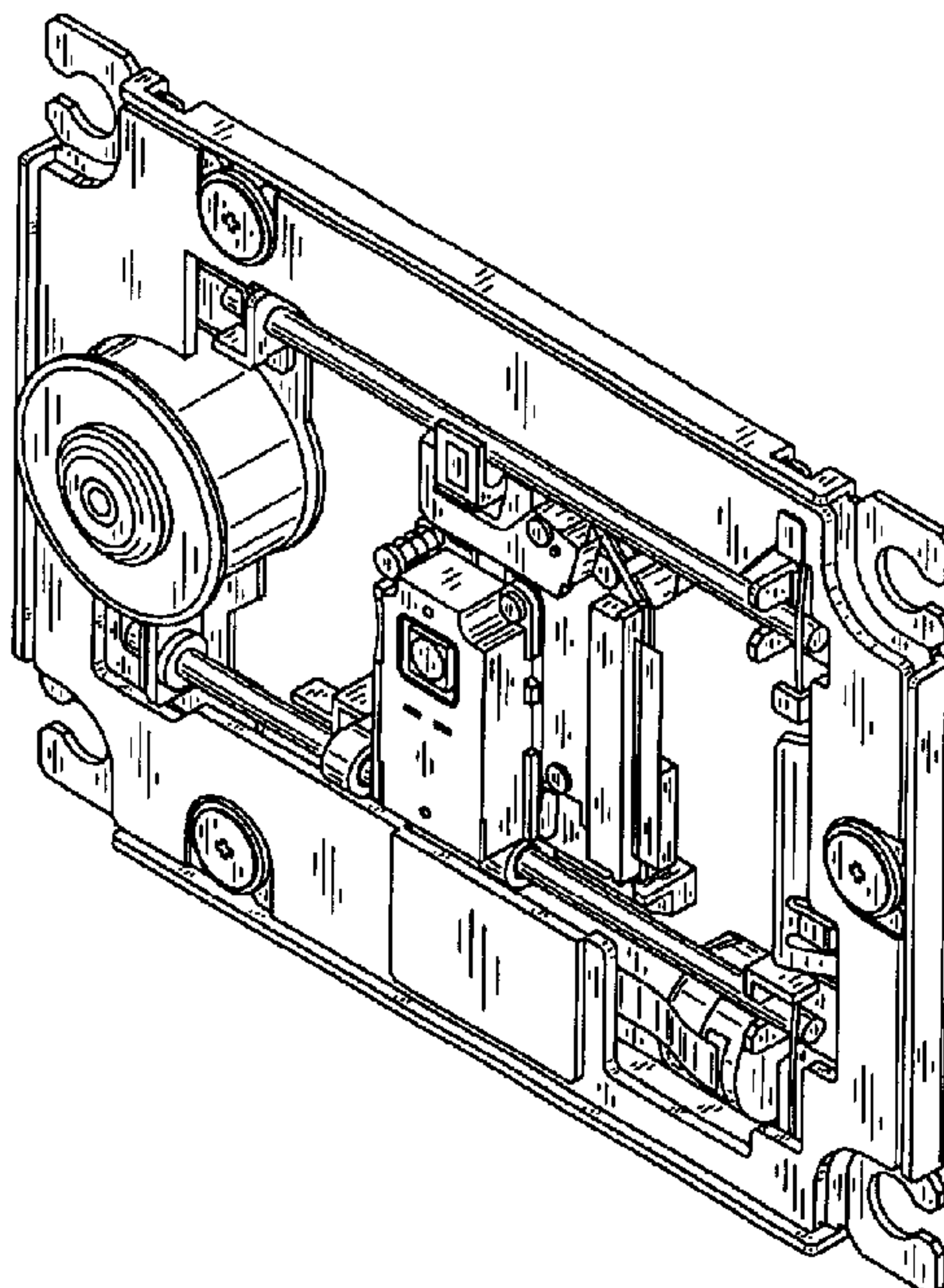


Fig. 1

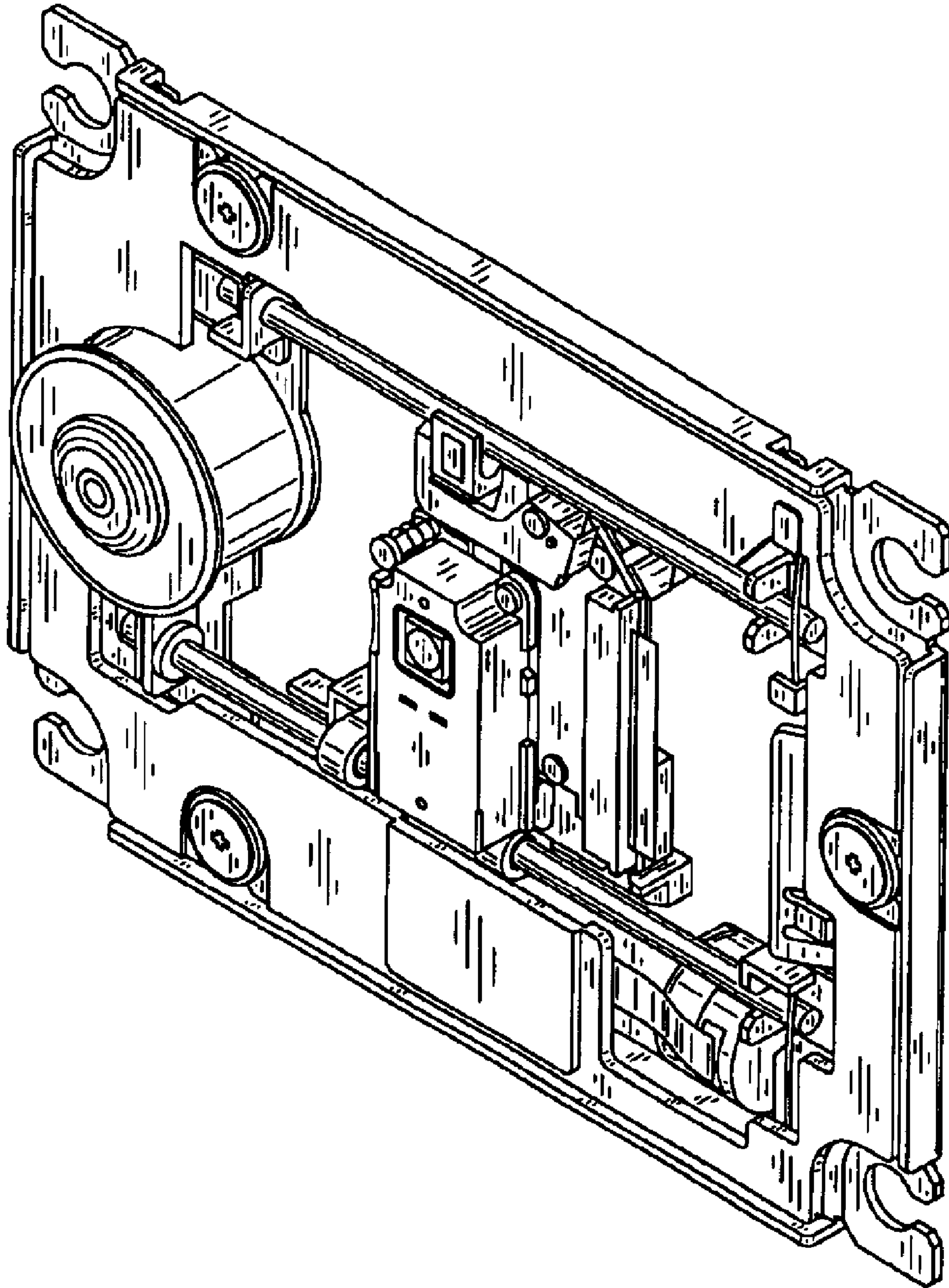


Fig.2

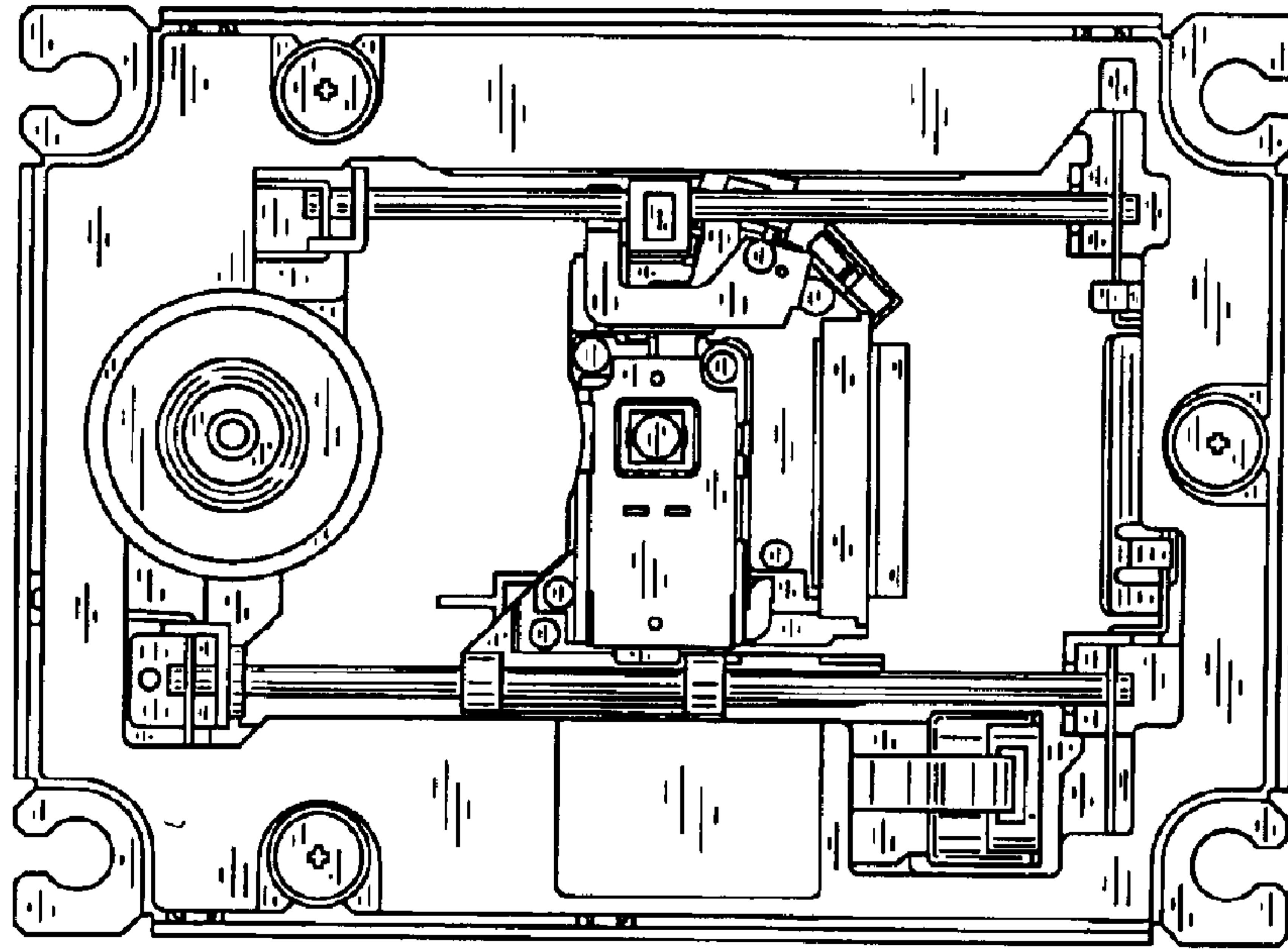


Fig.3

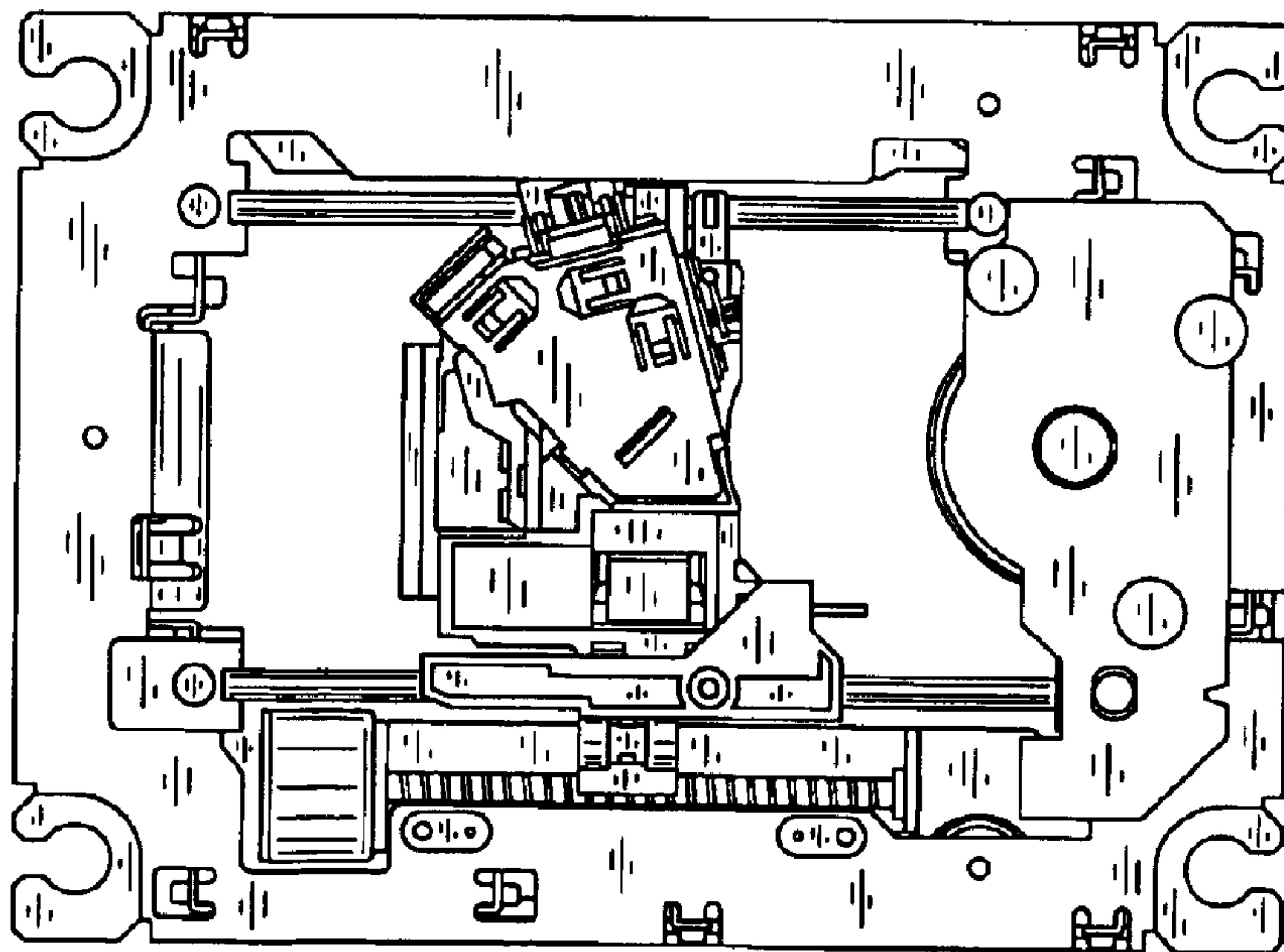


Fig.4

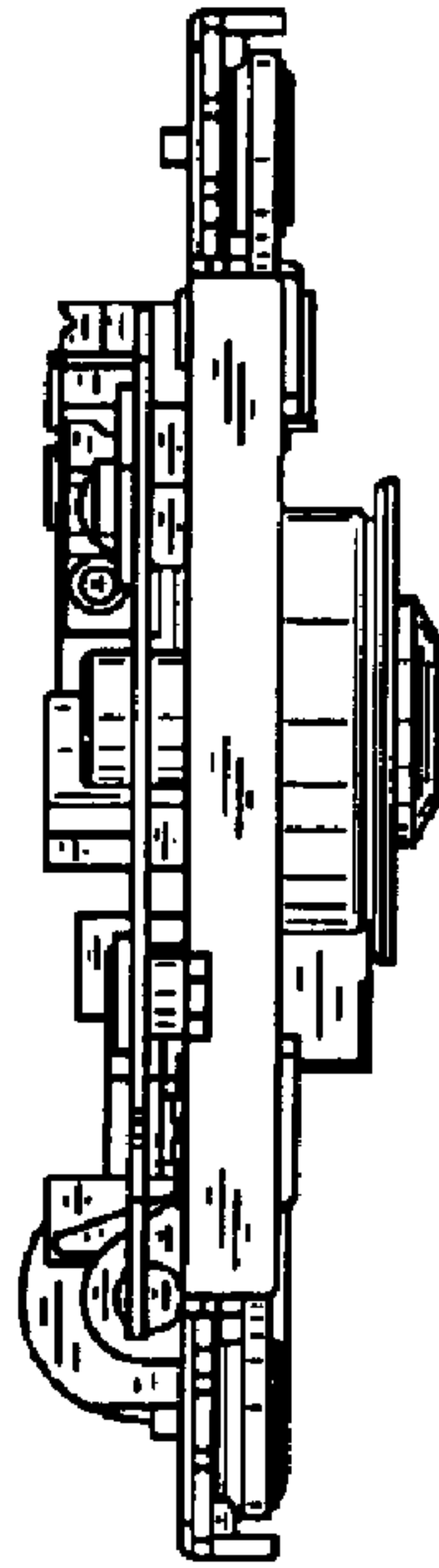


Fig.5

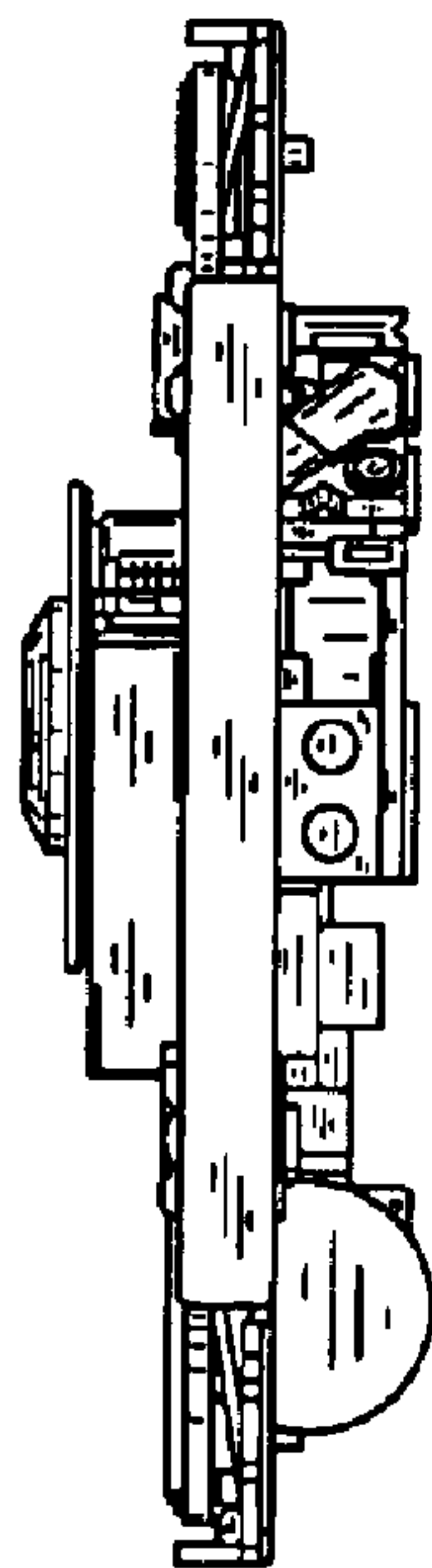




Fig.6

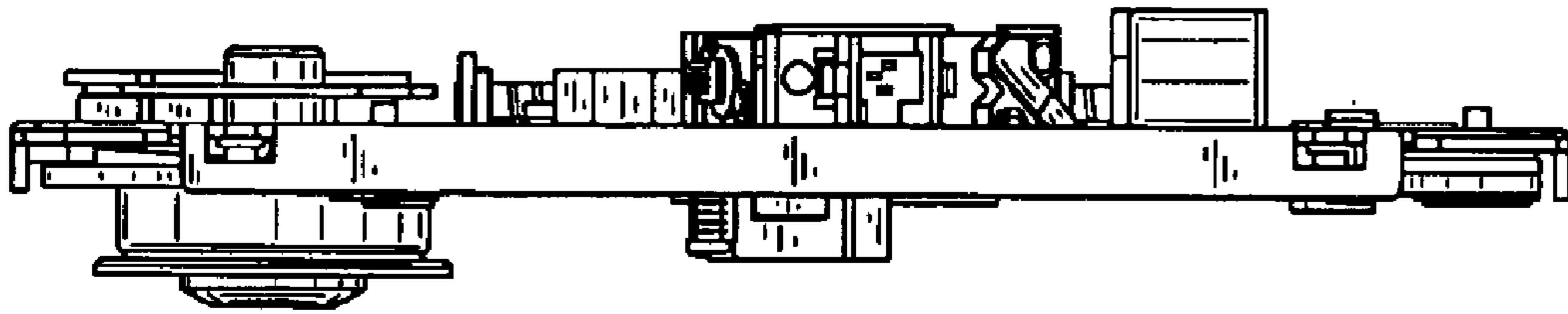


Fig.7

