



US00D507264S

(12) **United States Design Patent**
Miyamoto et al.

(10) **Patent No.:** **US D507,264 S**
(45) **Date of Patent:** **** Jul. 12, 2005**

(54) **MAGNETIC HEAD SUSPENSION**

(75) Inventors: **Makoto Miyamoto**, Hyogo (JP);
Hideki Kuwajima, Kyoto (JP);
Kenichi Sakamoto, Osaka (JP)

(73) Assignee: **Matsushita Electric Industrial Co., Ltd.**, Osaka (JP)

(**) Term: **14 Years**

(21) Appl. No.: **29/178,544**

(22) Filed: **Mar. 25, 2003**

(30) **Foreign Application Priority Data**

Sep. 26, 2002 (JP) 2002-026332

(51) **LOC (8) Cl.** **14-99**

(52) **U.S. Cl.** **D14/260**

(58) **Field of Search** D14/156, 217,
D14/239, 260, 260.1, 262, 264; 242/333.6,
356; 360/244.6, 245, 245.1, 245.5, 245.9,
264.4, 244.8, 265.7; 29/603.03, 603.04;
369/13.17

(56) **References Cited**

U.S. PATENT DOCUMENTS

5,126,904 A * 6/1992 Sakurai 360/244.2
5,677,815 A * 10/1997 Chan 360/265.7

5,936,802 A * 8/1999 Koizumi et al. 360/245.9
D437,846 S * 2/2001 Kabasawa et al. D14/260
6,330,209 B1 * 12/2001 Hatam-Tabrizi et al. . 369/13.17
6,512,657 B2 * 1/2003 Heist et al. 360/244.6

FOREIGN PATENT DOCUMENTS

JP 1005527 7/1998
JP 1070660 5/2000
JP 1070938 5/2000

* cited by examiner

Primary Examiner—Nanda Bondade

(74) *Attorney, Agent, or Firm*—Christensen O'Connor Johnson Kindness PLLC

(57) **CLAIM**

The ornamental design for a magnetic head suspension, as shown and described.

DESCRIPTION

FIG. 1 is a perspective view of the front, bottom and left side of a magnetic head suspension showing our new design; FIG. 2 is a front view thereof; FIG. 3 is a rear view thereof; FIG. 4 is a left side view thereof; FIG. 5 is a right side view thereof; FIG. 6 is a top plan view thereof; and, FIG. 7 is a bottom view thereof.

1 Claim, 3 Drawing Sheets

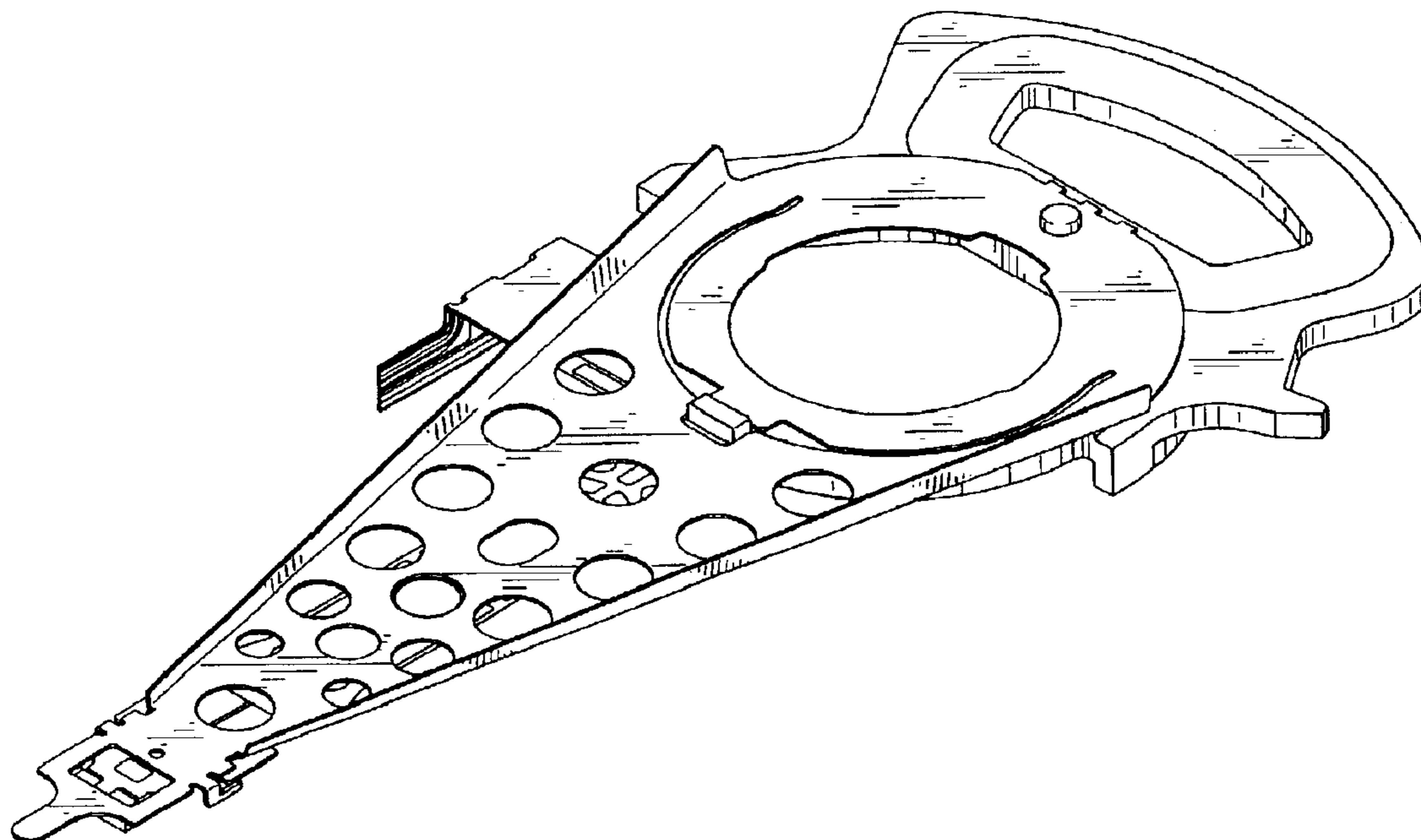


FIG. 1

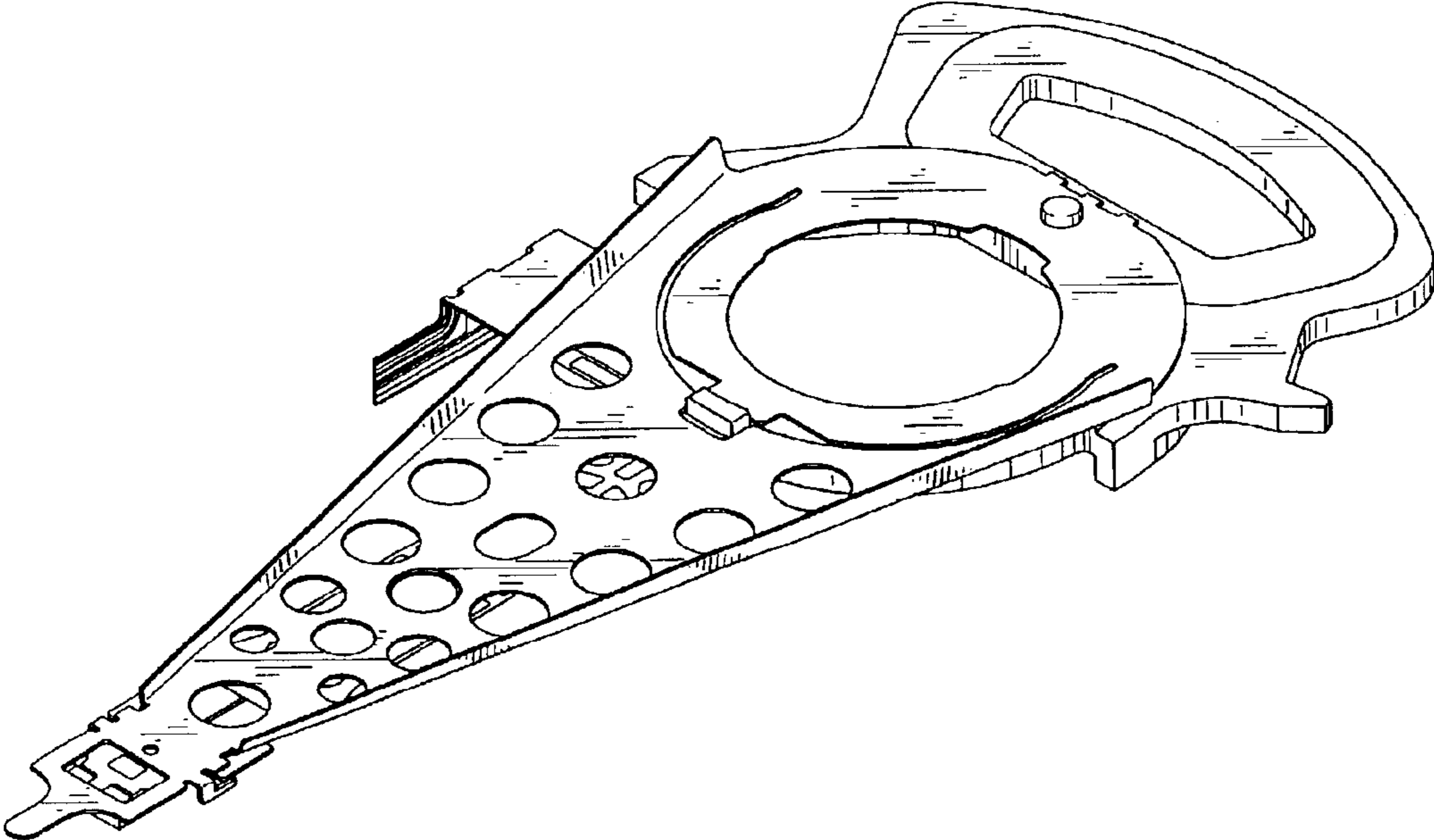


FIG. 2

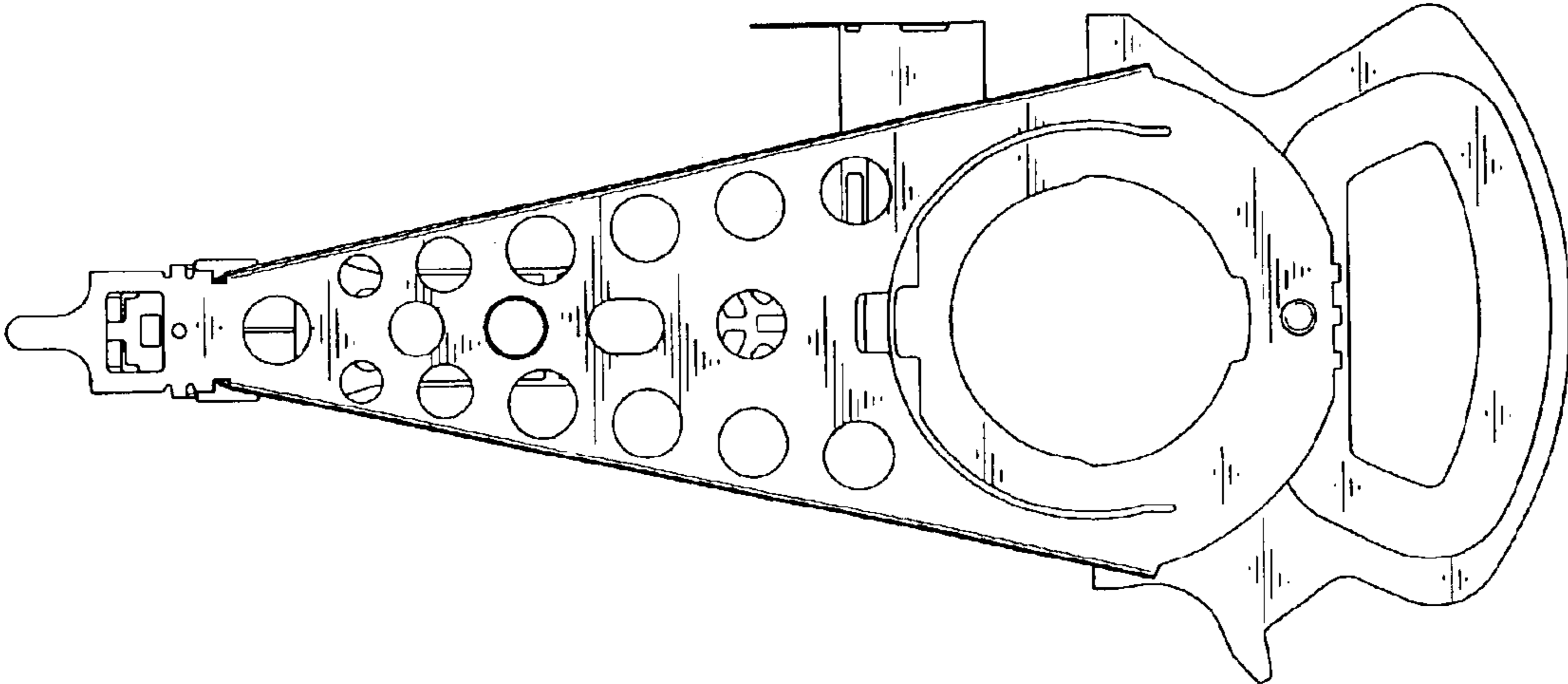


FIG. 3

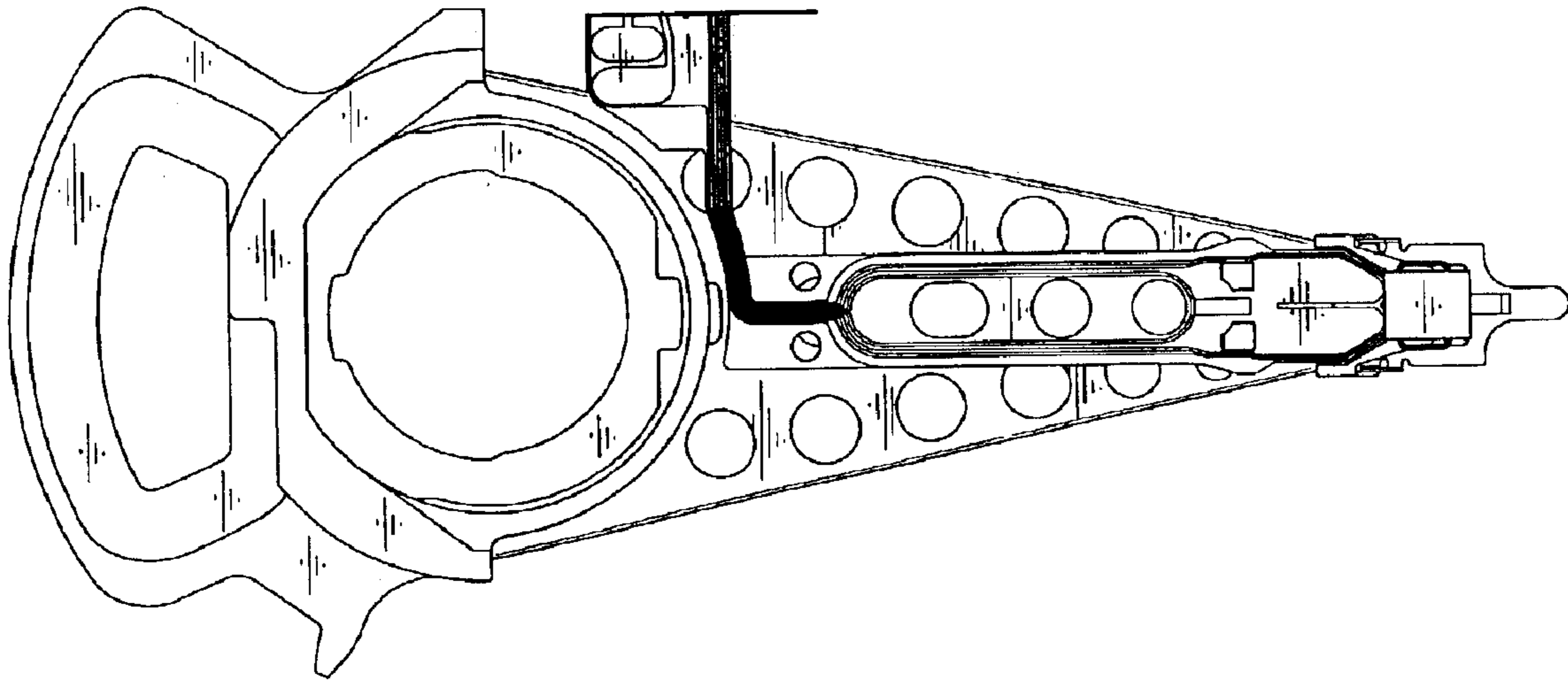


FIG. 4

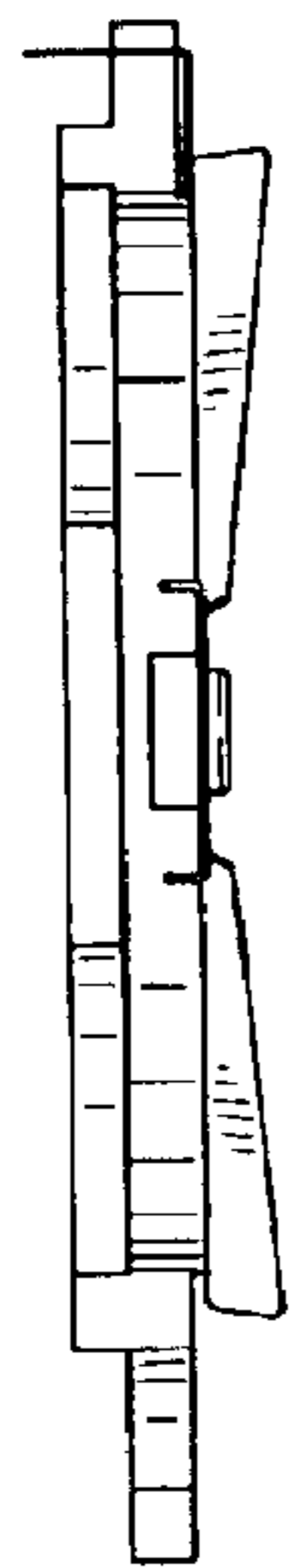


FIG. 5

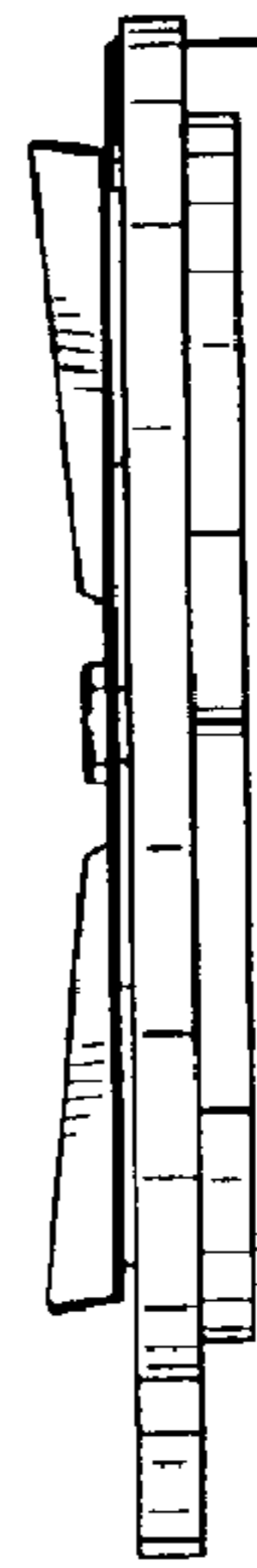


FIG. 6

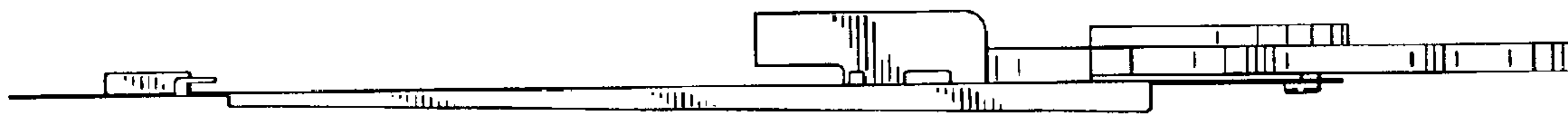
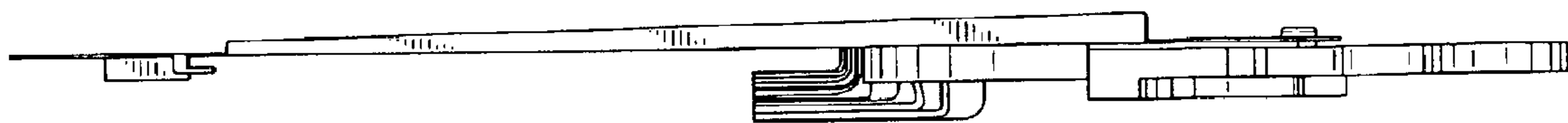


FIG. 7



UNITED STATES PATENT AND TRADEMARK OFFICE
CERTIFICATE OF CORRECTION

PATENT NO. : Des. 507,264 S
APPLICATION NO. : 29/178544
DATED : July 12, 2005
INVENTOR(S) : Miyamoto et al.

Page 1 of 4

It is certified that error appears in the above-identified patent and that said Letters Patent is hereby corrected as shown below:

Delete Title page illustrating a figure(s), and substitute therefor, new Title page illustrating a figure(s). (attached)

Delete drawing sheet 1 and 2, and substitute therefor drawing sheet 1 and 2. (attached)

Signed and Sealed this

Sixteenth Day of October, 2007

A handwritten signature in black ink on a light gray dotted background. The signature reads "Jon W. Dudas" in a cursive style.

JON W. DUDAS

Director of the United States Patent and Trademark Office

(12) **United States Design Patent** (10) Patent No.: **US D507,264 S**
 Miyamoto et al. (45) Date of Patent: ** **Jul. 12, 2005**

(54) **MAGNETIC HEAD SUSPENSION**

(75) Inventors: Makoto Miyamoto, Hyogo (JP);
 Hideki Kuwajima, Kyoto (JP);
 Kenichi Sakamoto, Osaka (JP)

(73) Assignee: Matsushita Electric Industrial Co.,
 Ltd., Osaka (JP)

(**) Term: 14 Years

(21) Appl. No.: 29/178,544

(22) Filed: Mar. 25, 2003

(30) Foreign Application Priority Data

Sep. 26, 2002 (JP) 2002-026332
 (51) LOC (8) Cl. 14-99
 (52) U.S. Cl. D14/260
 (58) Field of Search D14/156, 217,
 D14/239, 260, 260.1, 262, 264; 242/333.6,
 356; 360/244.6, 245, 245.1, 245.5, 245.9,
 264.4, 244.8, 265.7; 29/603.03, 603.04;
 369/13.17

(56) References Cited

U.S. PATENT DOCUMENTS

5,126,804 A * 6/1992 Sakurai 360/244.2
 5,677,815 A * 10/1997 Chan 360/265.7

5,936,802 A * 8/1999 Kobzumi et al. 360/245.9
 D437,846 S * 2/2001 Kabasawa et al. D14/260
 6,330,209 B1 * 12/2001 Hatam-Tabrizi et al. , 369/13.17
 6,512,657 B2 * 1/2003 Heist et al. 360/244.6

FOREIGN PATENT DOCUMENTS

JP	1005527	7/1998
JP	1070660	5/2000
JP	1070938	5/2000

* cited by examiner

Primary Examiner—Nanda Bordade

(74) Attorney, Agent, or Firm—Christensen O'Connor
 Johnson Kindness PLLC

(57) CLAIM

The ornamental design for a magnetic head suspension, as shown and described.

DESCRIPTION

FIG. 1 is a perspective view of the front, bottom and left side of a magnetic head suspension showing our new design;
 FIG. 2 is a front view thereof;
 FIG. 3 is a rear view thereof;
 FIG. 4 is a left side view thereof;
 FIG. 5 is a right side view thereof;
 FIG. 6 is a top plan view thereof; and,
 FIG. 7 is a bottom view thereof.

1 Claim, 3 Drawing Sheets

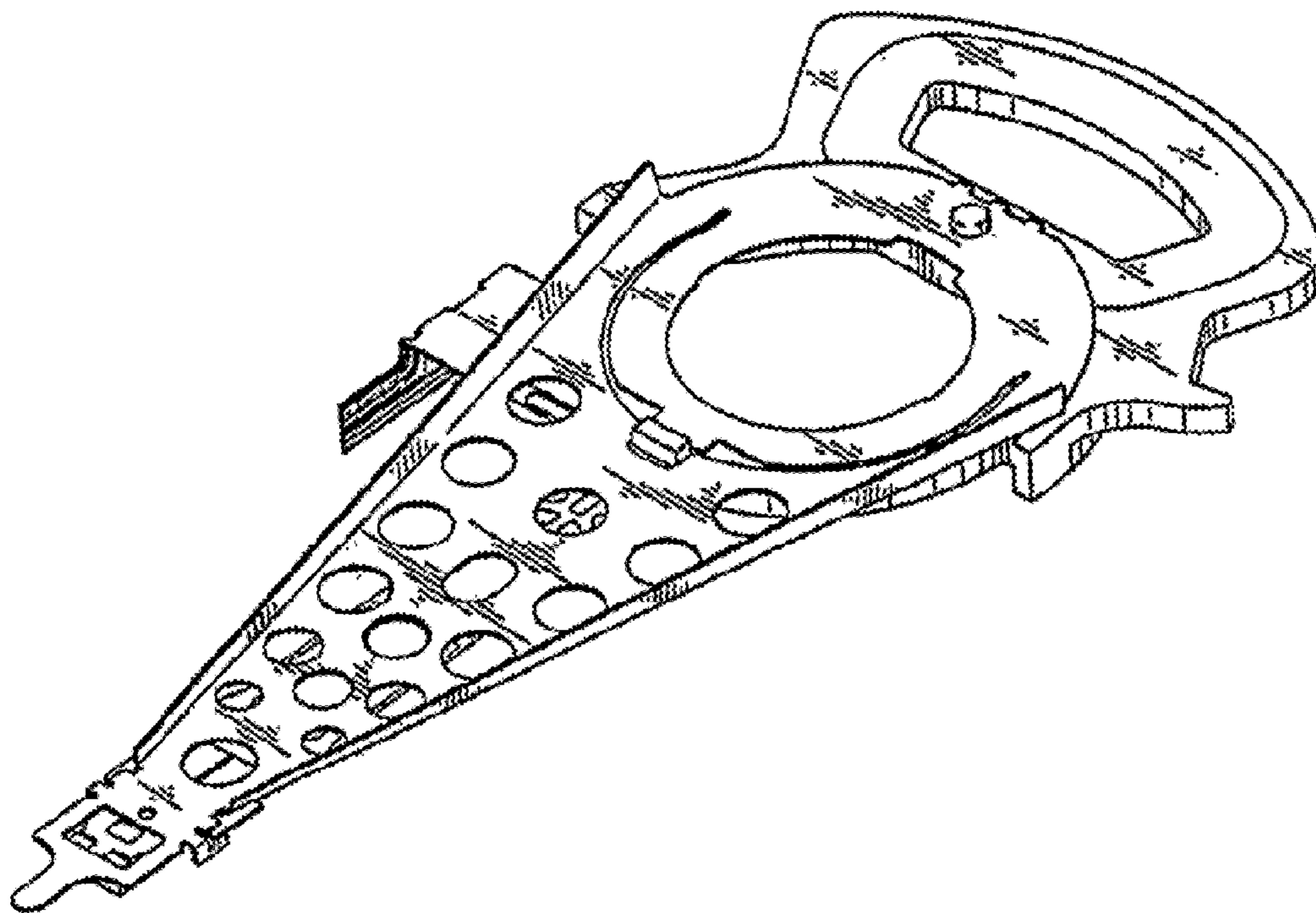


FIG. 1

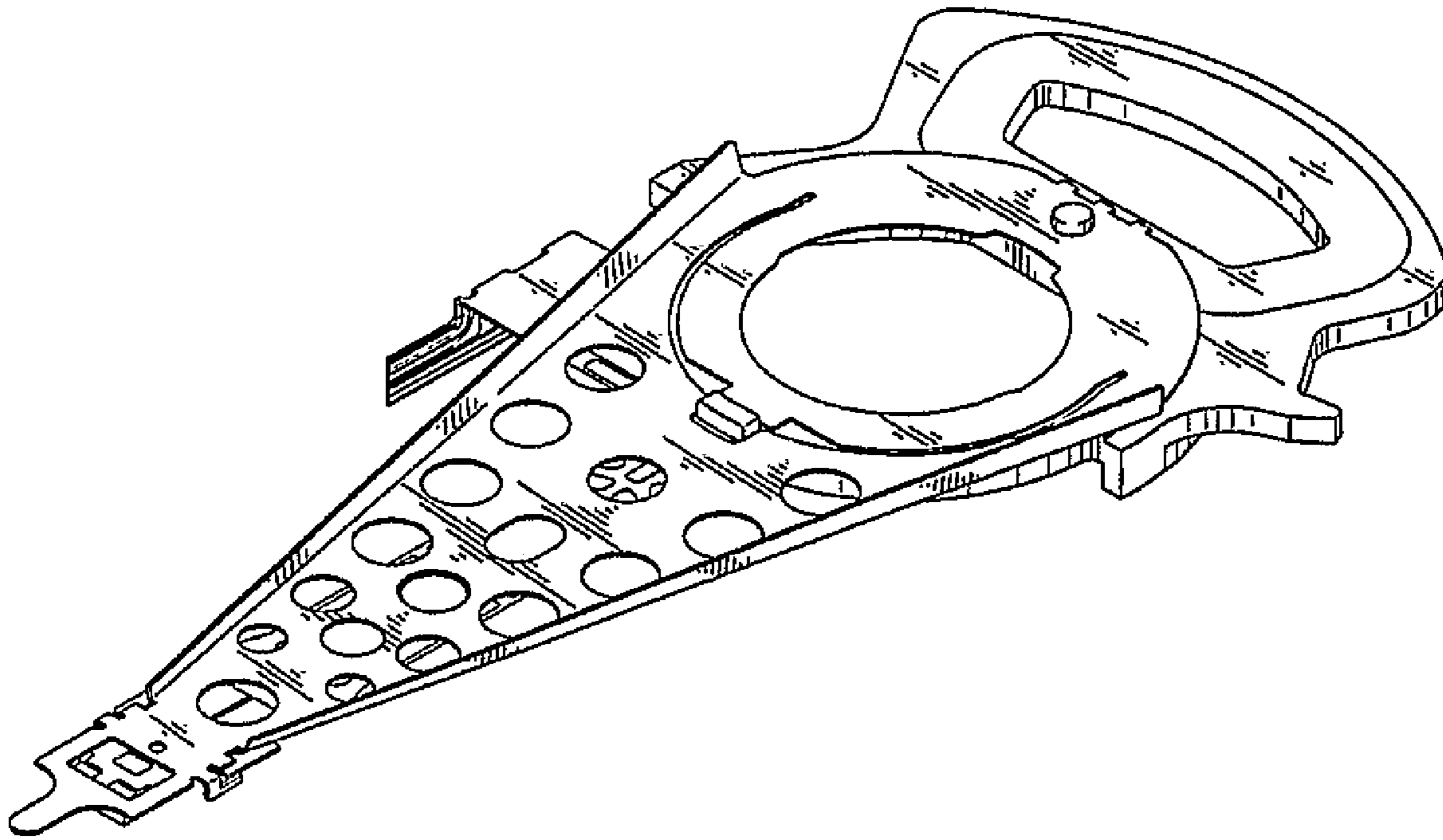


FIG. 2

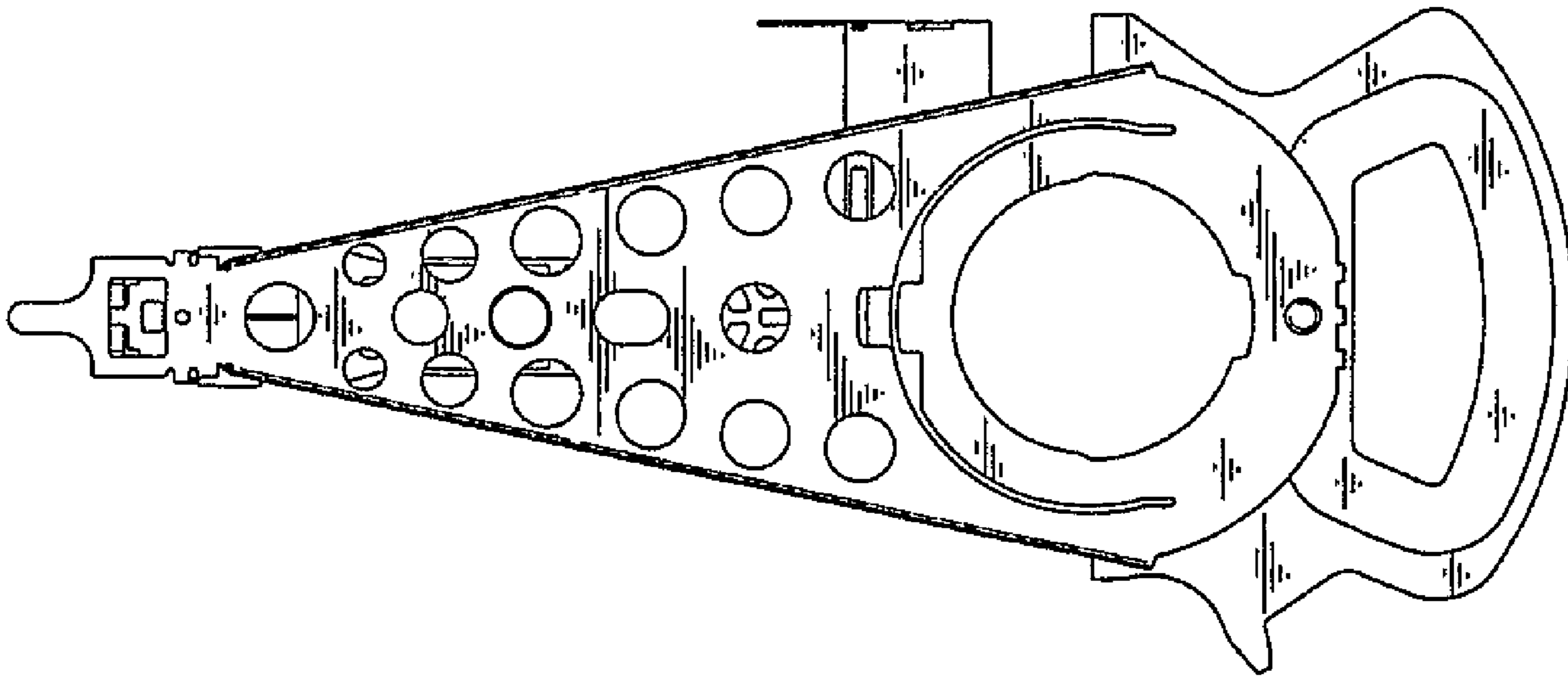


FIG. 3

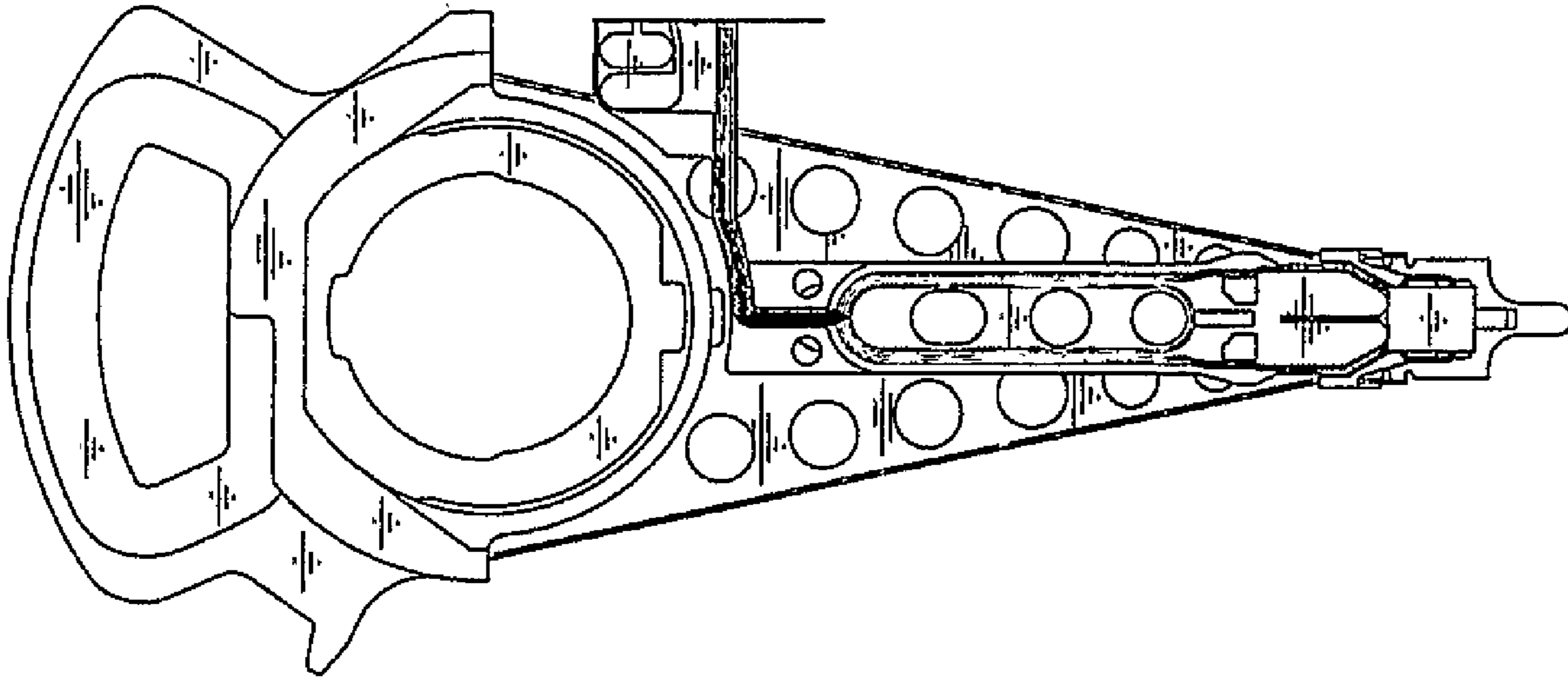


FIG. 4

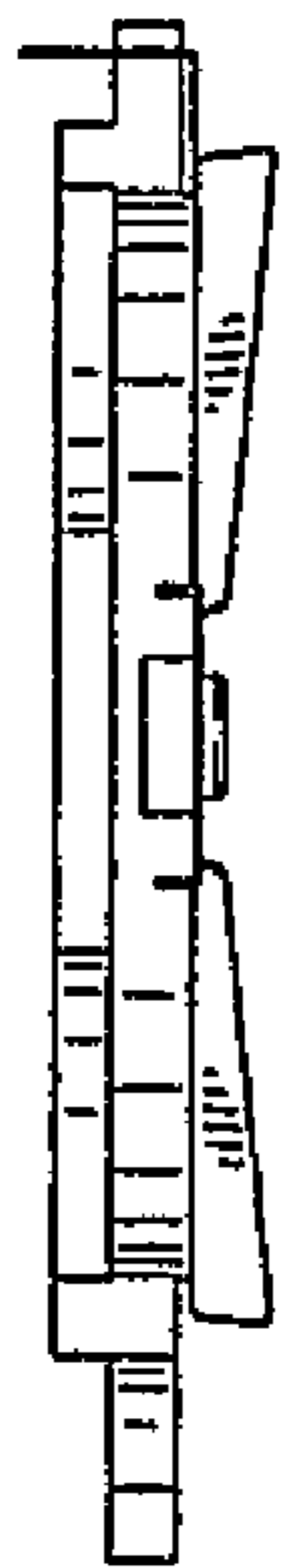


FIG. 5

