

US00D507258S

(12) **United States Design Patent**
Hussaini et al.

(10) **Patent No.:** **US D507,258 S**
(45) **Date of Patent:** **** Jul. 12, 2005**

(54) **SPEAKER ACCESSORY FOR ELECTRONIC DEVICE**

D367,476 S * 2/1996 Martin D14/214
D432,518 S * 10/2000 Muto D14/172
D440,556 S * 4/2001 Kobayashi et al. D14/215

(75) Inventors: **Saied Hussaini**, Miami, FL (US); **Marc Iacovelli**, Miami, FL (US)

* cited by examiner

(73) Assignee: **Intec, Inc.**, Miami, FL (US)

Primary Examiner—Nanda Bondade

(**) Term: **14 Years**

(74) *Attorney, Agent, or Firm*—Liniak, Berenato & White

(21) Appl. No.: **29/190,421**

(57) **CLAIM**

(22) Filed: **Sep. 22, 2003**

The ornamental design for a speaker accessory for electronic device, as shown and described.

(51) **LOC (8) Cl.** **14-01**

DESCRIPTION

(52) **U.S. Cl.** **D14/214**

(58) **Field of Search** D14/204, 207,
D14/209–216, 356; 181/143–144, 147–148,
150, 157, 198–199, 151, 153; 381/300–302,
306, 333, 345, 361–364, 386–388, 332,
336

FIG. 1 is a top view of the speaker accessory for electronic device according to the present invention;
FIG. 2 is a top view thereof, in an alternate configuration;
FIG. 3 is an enlarged right side view of FIG. 1;
FIG. 4 is an enlarged left side view of FIG. 1;
FIG. 5 is an enlarged left side view of FIG. 1, in an alternate configuration;
FIG. 6 is a bottom view of FIG. 1;
FIG. 7 is a rear view of FIG. 1;
FIG. 8 is a front view of FIG. 1; and,
FIG. 9 is a perspective view according to the present invention.

(56) **References Cited**

U.S. PATENT DOCUMENTS

D304,033 S * 10/1989 Villanueva et al. D14/224
D360,637 S * 7/1995 Arie D14/214
D366,478 S * 1/1996 Daniels et al. D14/213
5,481,616 A * 1/1996 Freadman 381/333

1 Claim, 7 Drawing Sheets

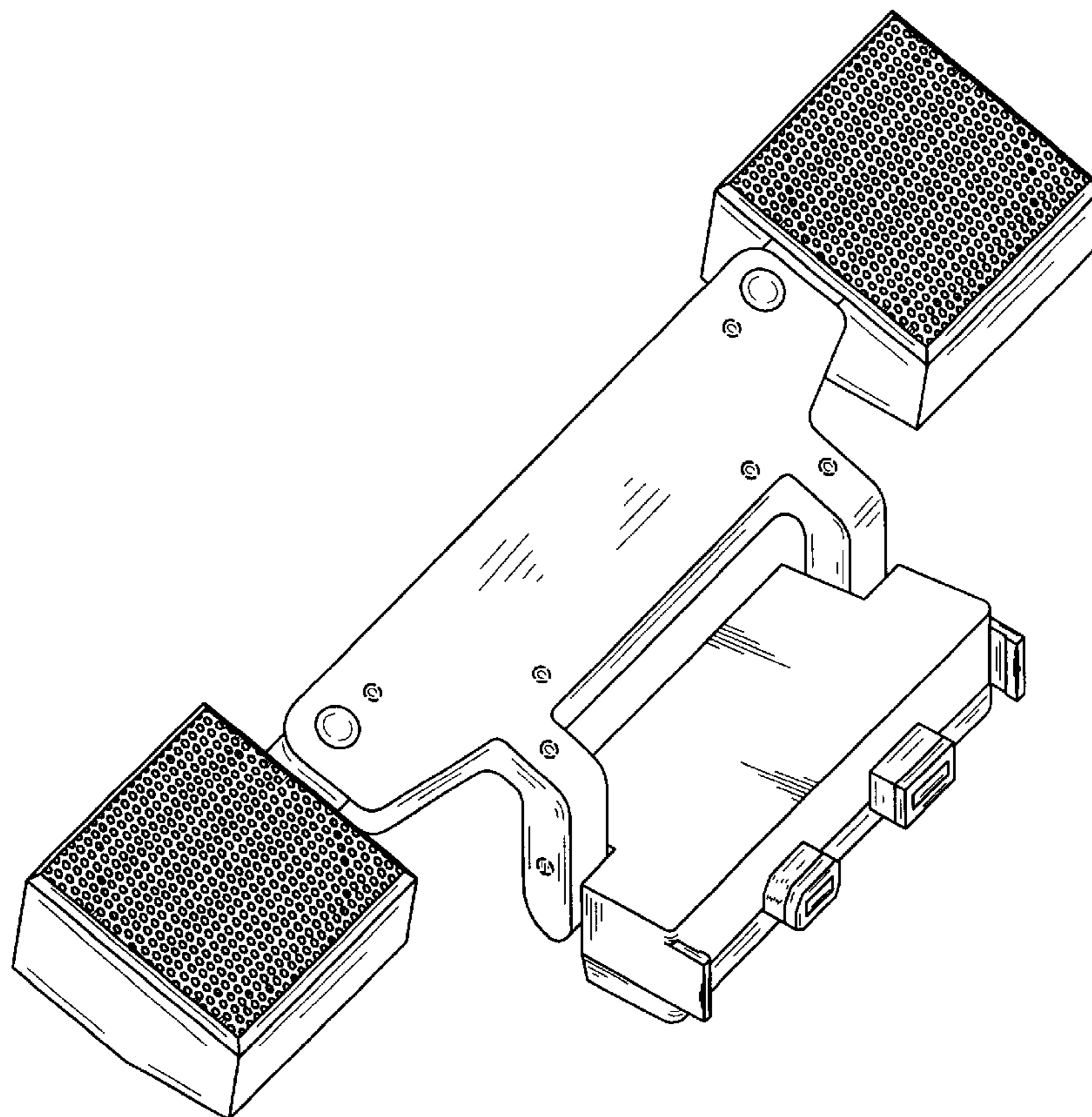


Fig. 1

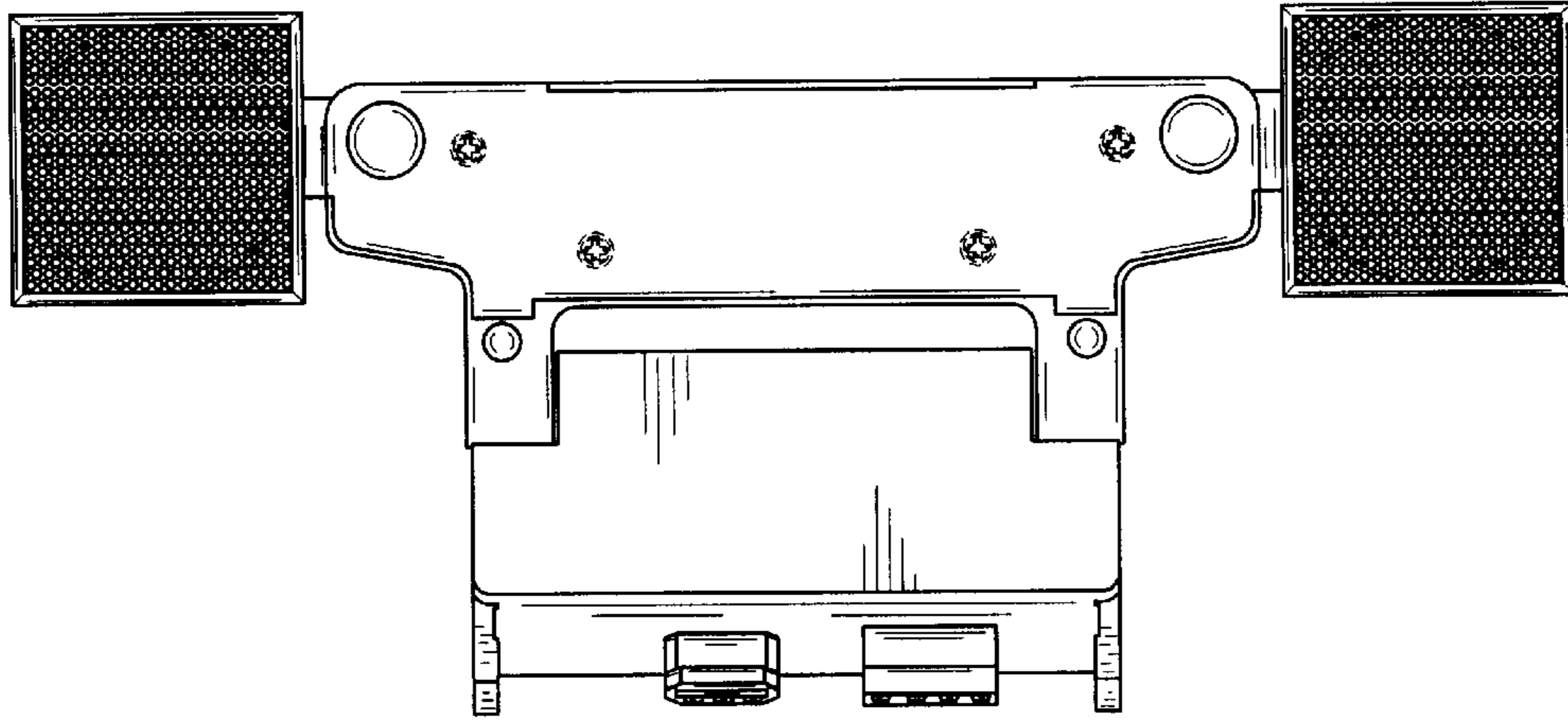


Fig. 2

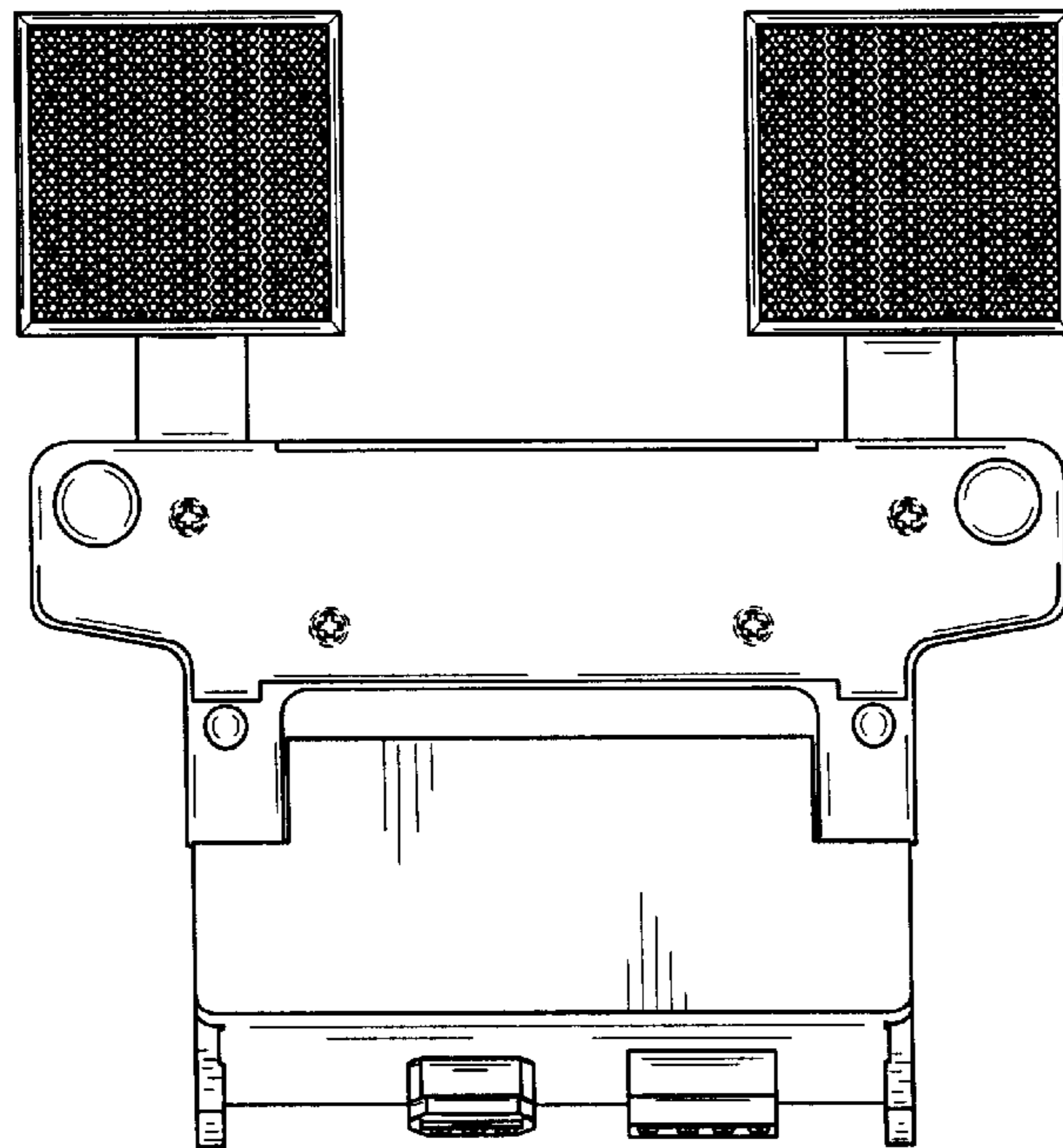


Fig. 3

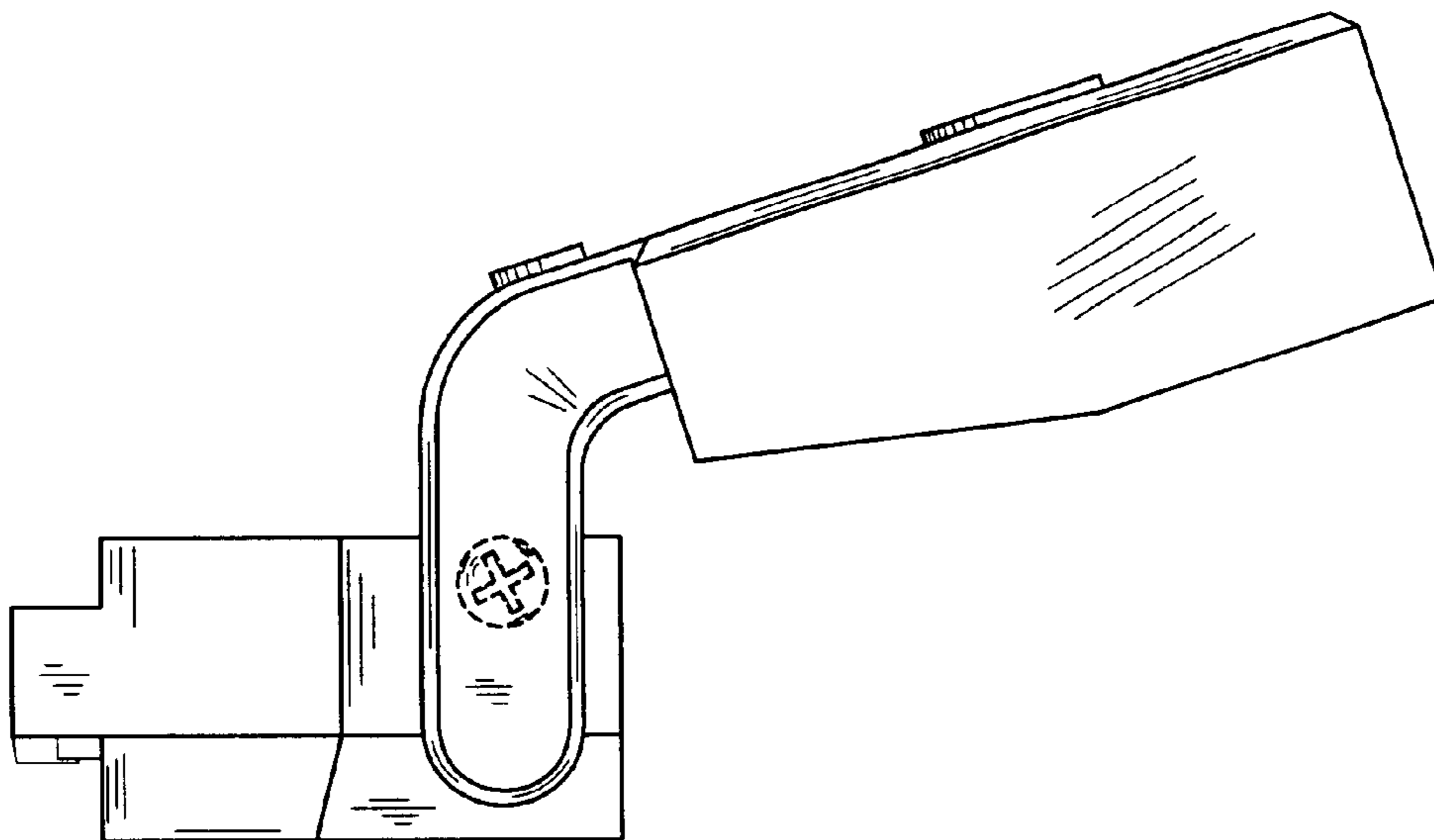


Fig. 4

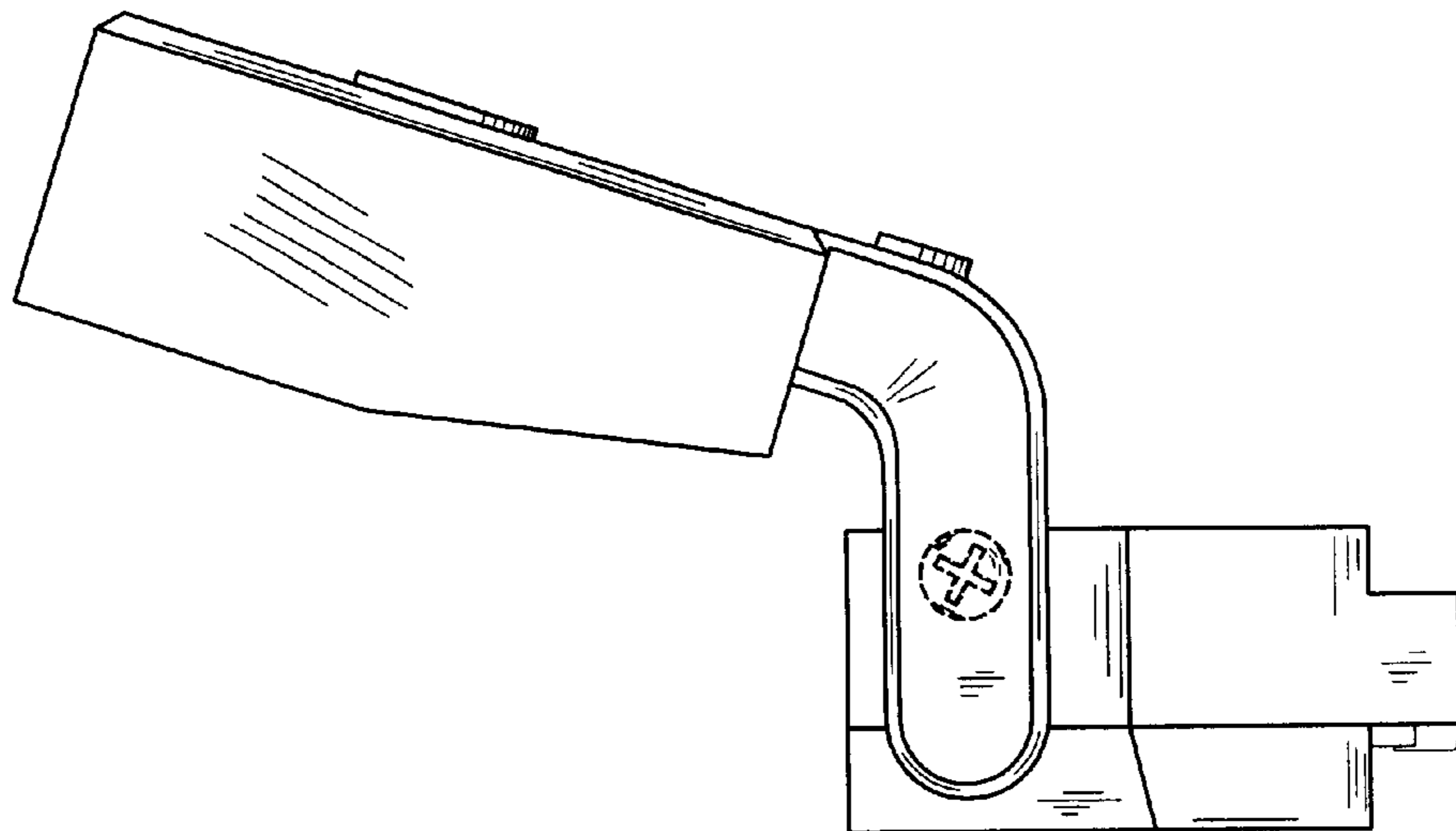


Fig. 5

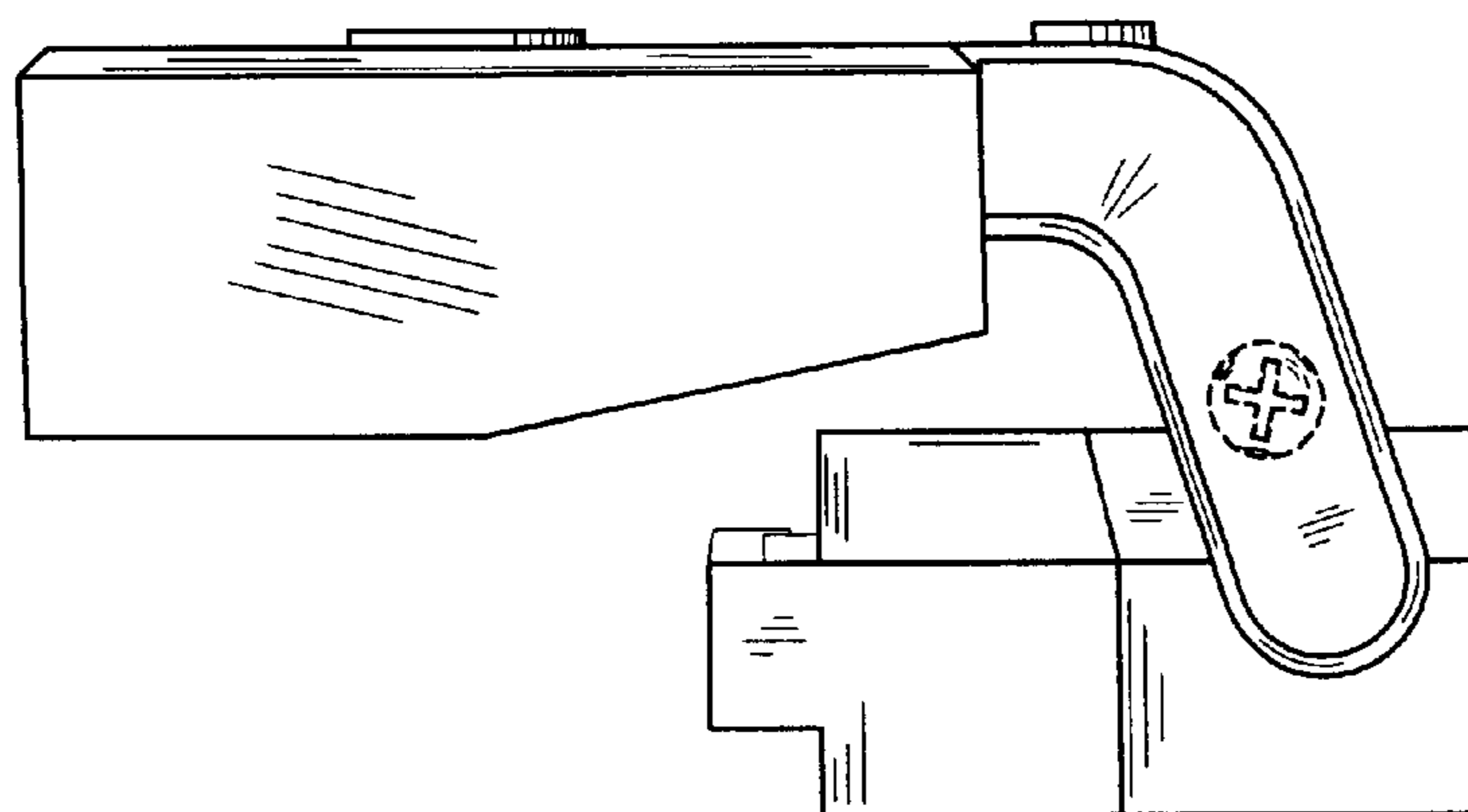


Fig. 6

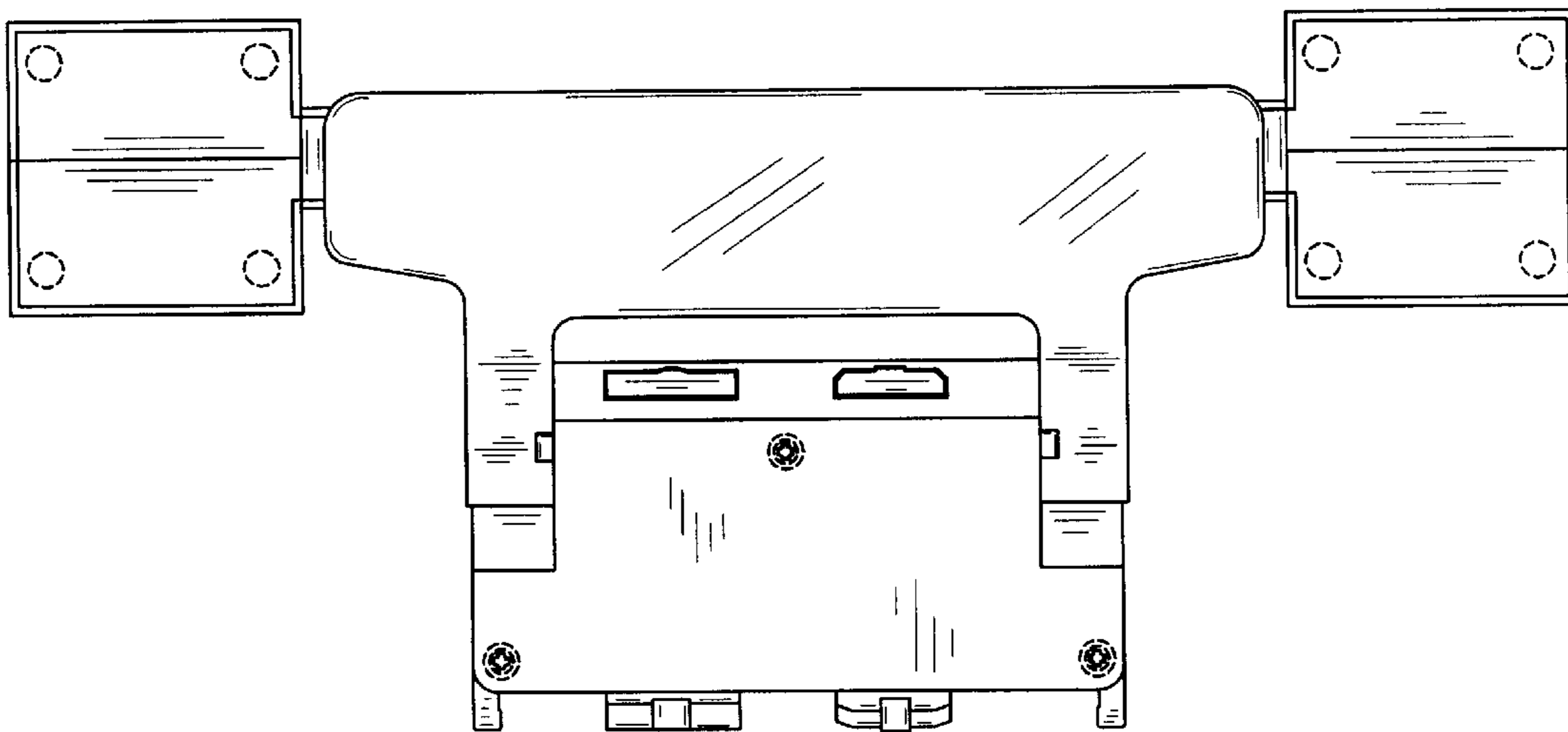


Fig. 7

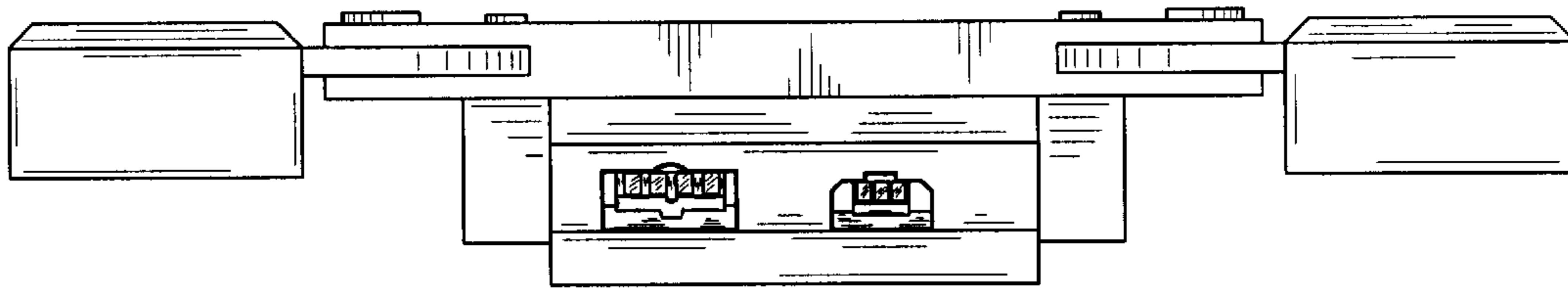


Fig. 8

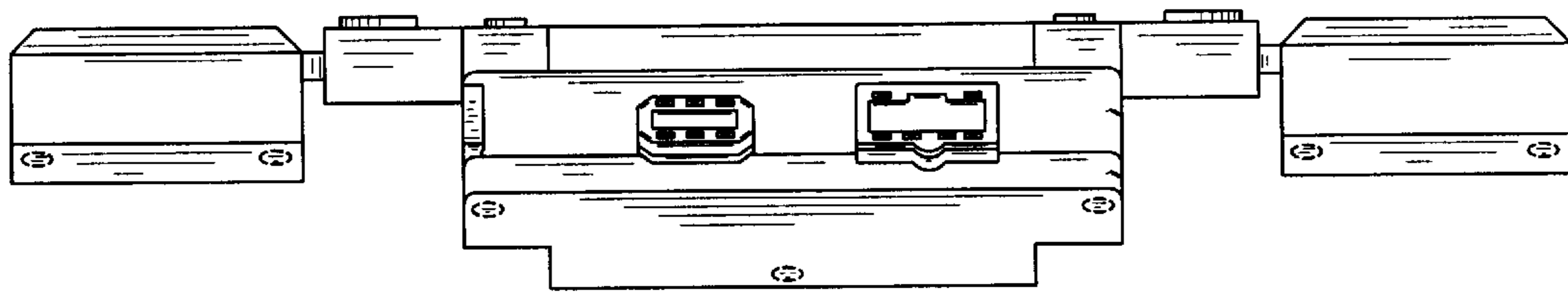


Fig. 9

