

US00D507255S

(12) **United States Design Patent** (10) **Patent No.:** **US D507,255 S**
Watanabe et al. (45) **Date of Patent:** **** Jul. 12, 2005**

(54) **PORTABLE WIRELESS TELEPHONE**

(75) Inventors: **Jun Watanabe**, Tokyo (JP); **Toshiyuki Tamaru**, Tokyo (JP); **Jin Kuramoto**, Tokyo (JP)

(73) Assignee: **NEC Corporation**, Tokyo (JP)

(**) Term: **14 Years**

(21) Appl. No.: **29/213,744**

(22) Filed: **Sep. 23, 2004**

(30) **Foreign Application Priority Data**

Mar. 24, 2004 (JP) 2004-008824

(51) **LOC (8) Cl.** **14-03**

(52) **U.S. Cl.** **D14/138**

(58) **Field of Search** D14/137, 138, D14/147-148, 247-248, 144, 341-347; 379/433.01-433.13, 434; 455/550.1-90.3, 575.3, 566, 575.1; D21/517

(56) **References Cited**

U.S. PATENT DOCUMENTS

D440,955 S	*	4/2001	Tanaka et al.	D14/138
D446,201 S	*	8/2001	Kim	D14/138
D447,128 S	*	8/2001	Lee et al.	D14/138
D454,550 S	*	3/2002	Hayasaka et al.	D14/138
D456,378 S	*	4/2002	Fujimoto	D14/138
D476,635 S	*	7/2003	Nagai et al.	D14/138
D477,296 S	*	7/2003	Minamide	D14/138
D485,818 S	*	1/2004	Yabe et al.	D14/138
D486,809 S	*	2/2004	Hwang	D14/138
D487,444 S	*	3/2004	Yoon	D14/138
D488,454 S	*	4/2004	Lee	D14/138
D489,345 S	*	5/2004	Shimamura et al.	D14/138
D489,699 S	*	5/2004	Hwang et al.	D14/138

D491,157 S	*	6/2004	Terashima et al.	D14/138
D491,906 S	*	6/2004	Okamatsu	D14/138
D491,907 S	*	6/2004	Ogawa	D14/138
D494,946 S	*	8/2004	Rausch et al.	D14/138
D495,673 S	*	9/2004	Wada	D14/138
D496,018 S	*	9/2004	Koo et al.	D14/138
D496,347 S	*	9/2004	Choi et al.	D14/191
D497,893 S	*	11/2004	Hwang et al.	D14/138
D501,190 S	*	1/2005	Watanabe et al.	D14/138
2001/0011029 A1	*	8/2001	Iwabuchi et al.	455/566
2002/0045467 A1	*	4/2002	Hama	455/567
2003/0030624 A1	*	2/2003	Aoyama	345/168
2004/0102225 A1	*	5/2004	Furuta et al.	455/566
2004/0132513 A1	*	7/2004	Taneda et al.	455/575.3
2004/0248625 A1	*	12/2004	Yoshida et al.	455/575.1

FOREIGN PATENT DOCUMENTS

JP	D1153259	*	9/2002
JP	D1183170	*	8/2003

* cited by examiner

Primary Examiner—Jeffrey Asch
(74) *Attorney, Agent, or Firm*—Sughrue Mion, PLLC

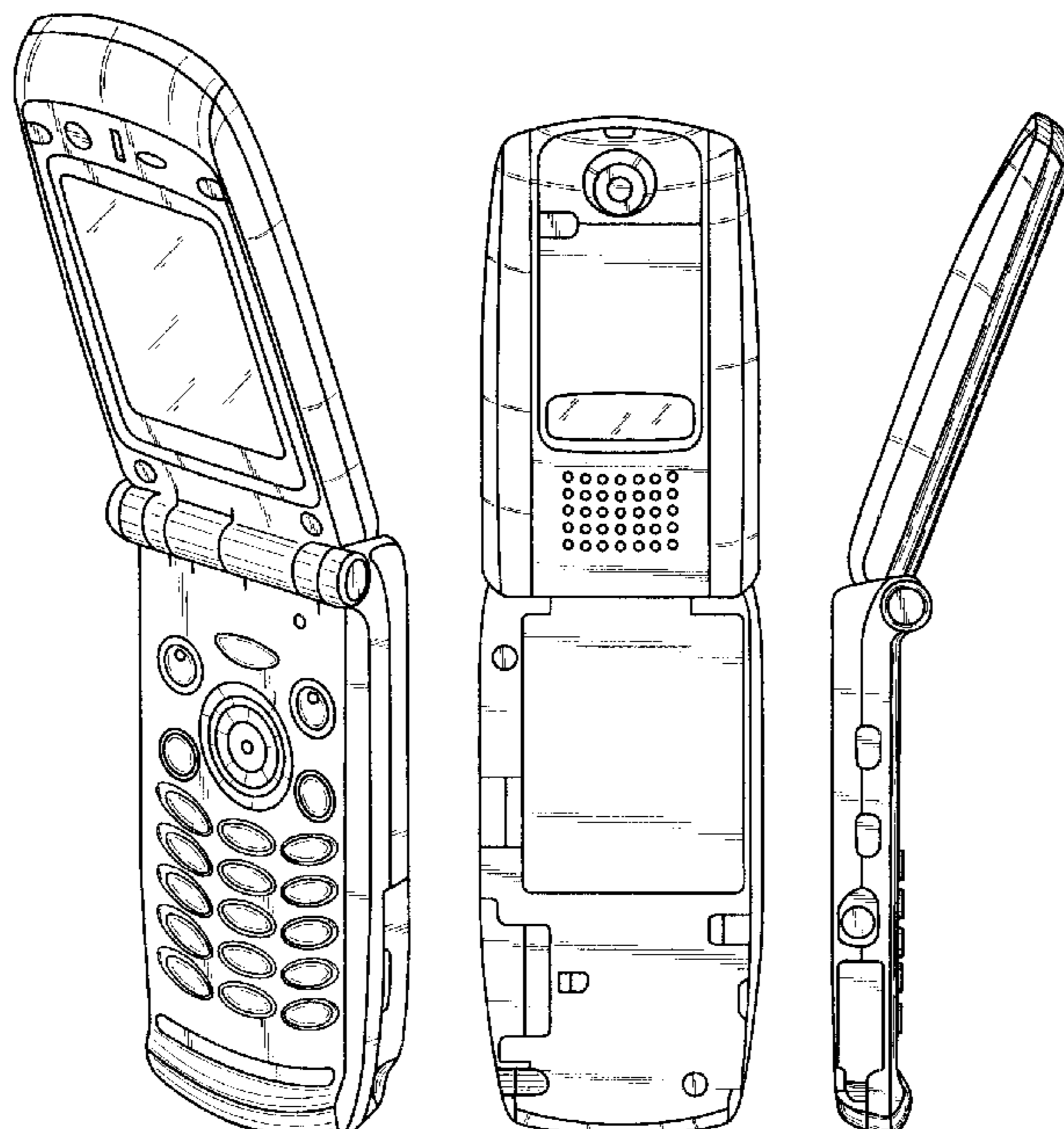
(57) **CLAIM**

The ornamental design for a portable wireless telephone, as shown.

DESCRIPTION

FIG. 1 is a perspective view of the top, front and right side of a portable wireless telephone showing our new design; FIG. 2 is a front elevational view thereof; FIG. 3 is a rear elevational view thereof; FIG. 4 is a left side elevational view thereof; FIG. 5 is a right side elevational view thereof; FIG. 6 is a top plan view thereof; and, FIG. 7 is a bottom plan view thereof.

1 Claim, 4 Drawing Sheets



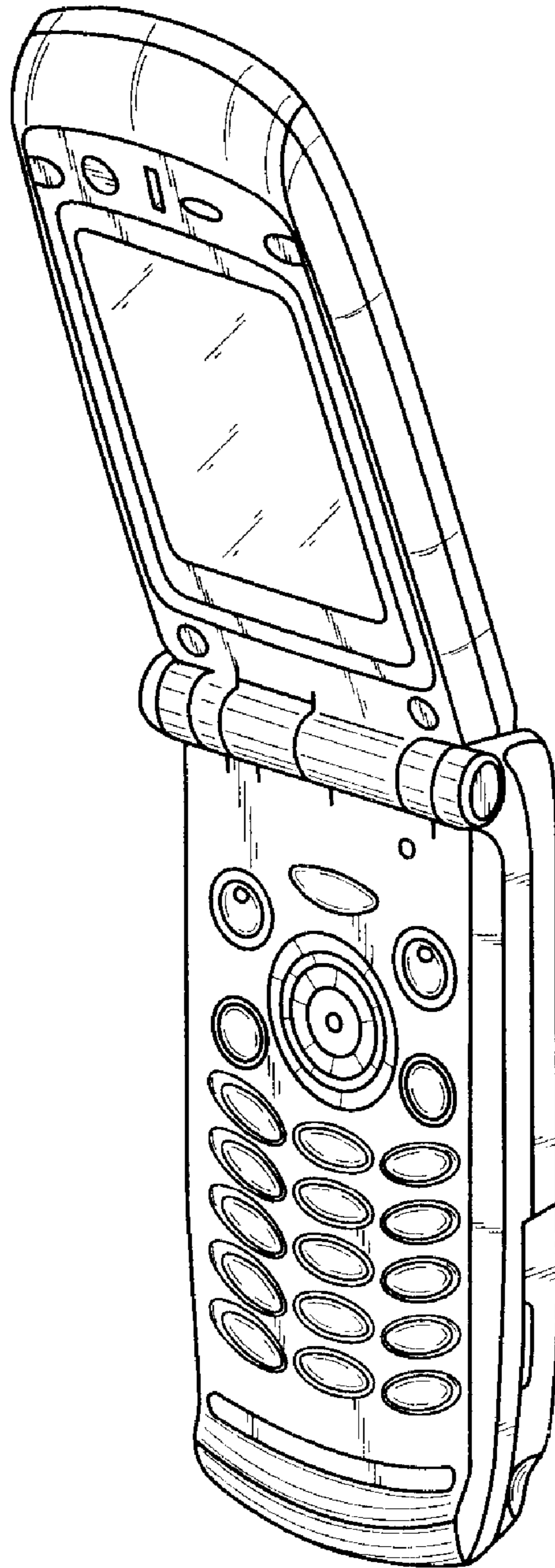


Fig. 1

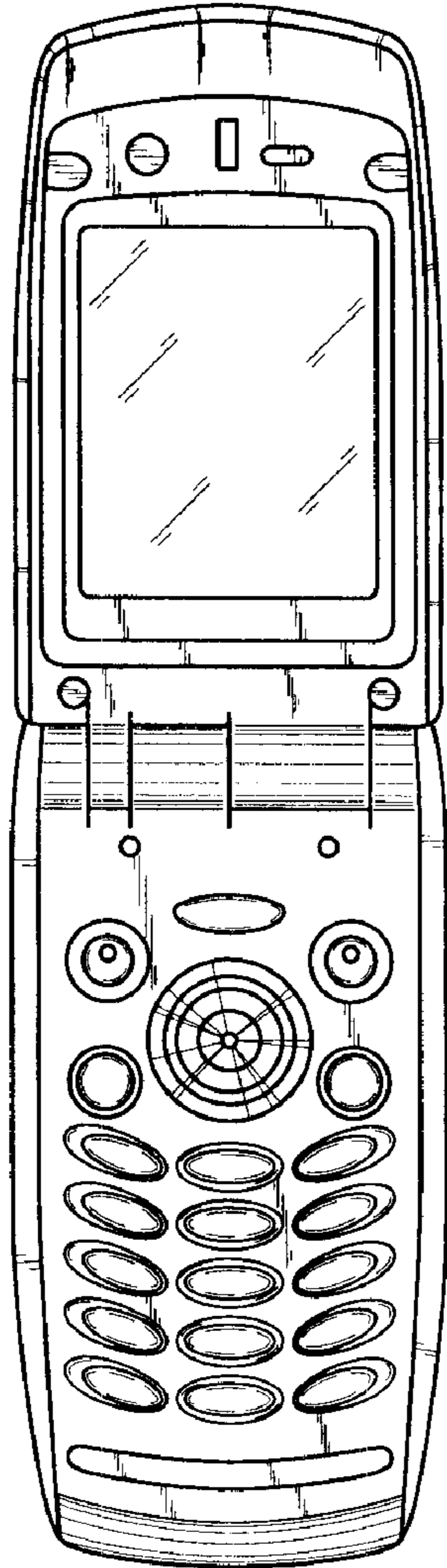


Fig. 2

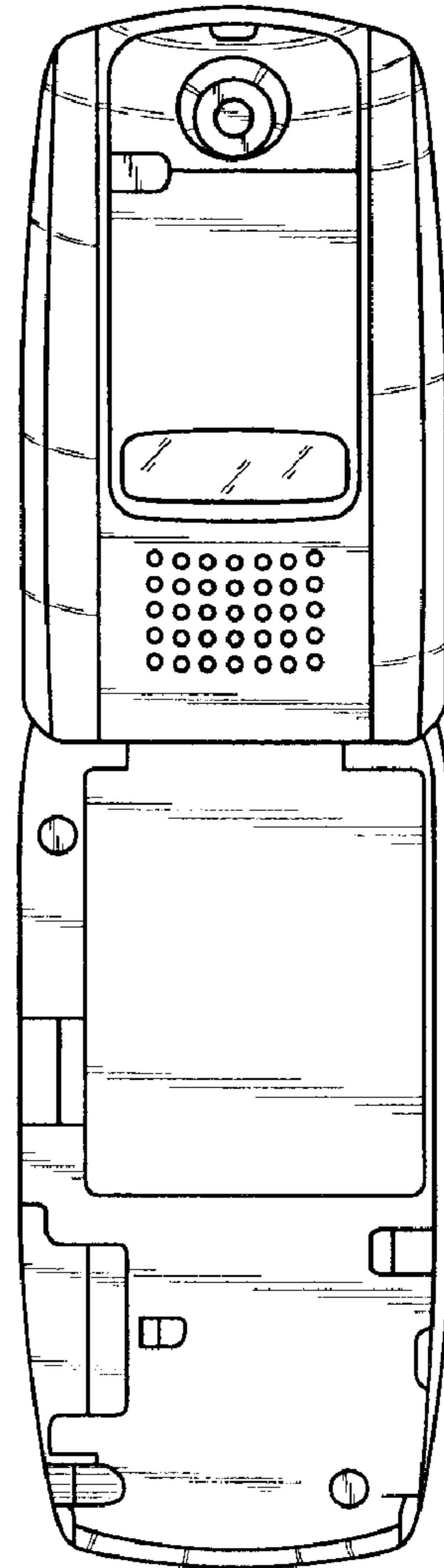


Fig. 3

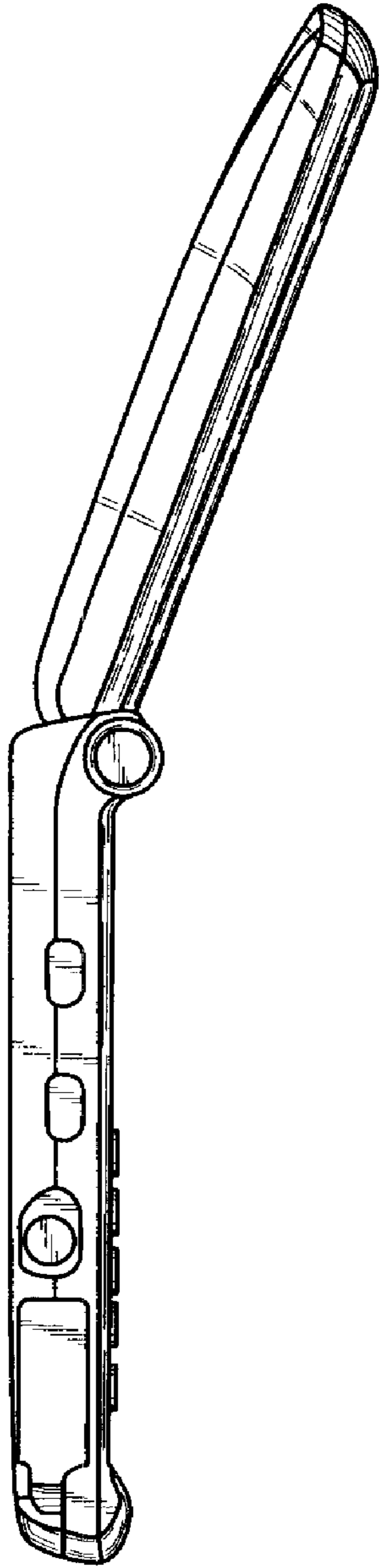


Fig. 4

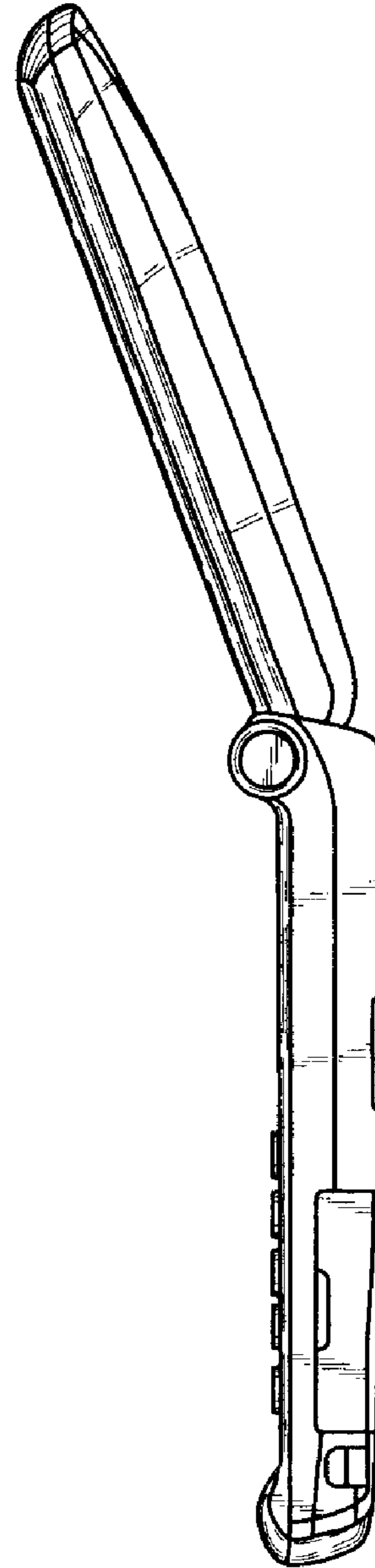


Fig. 5

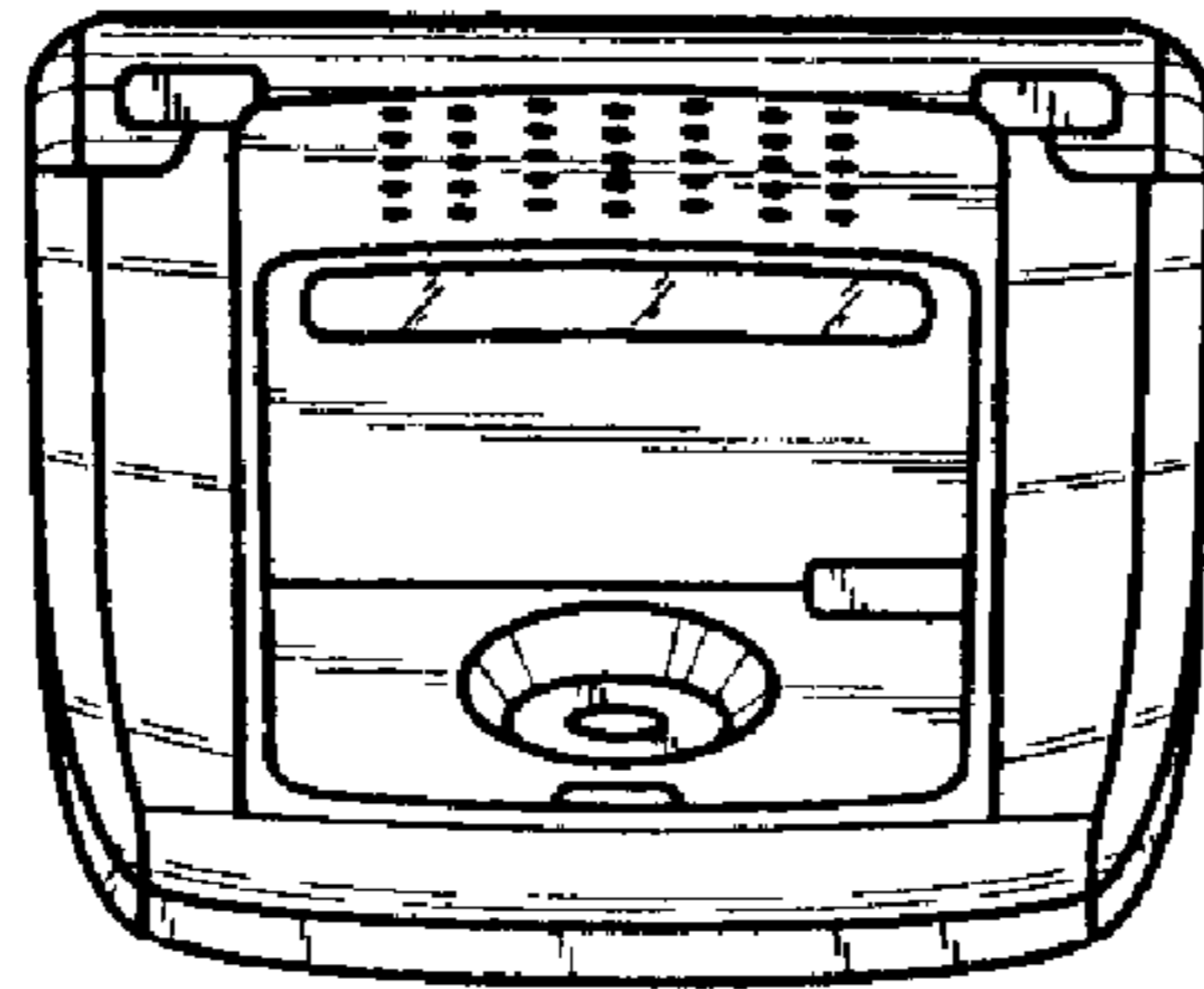


Fig. 6

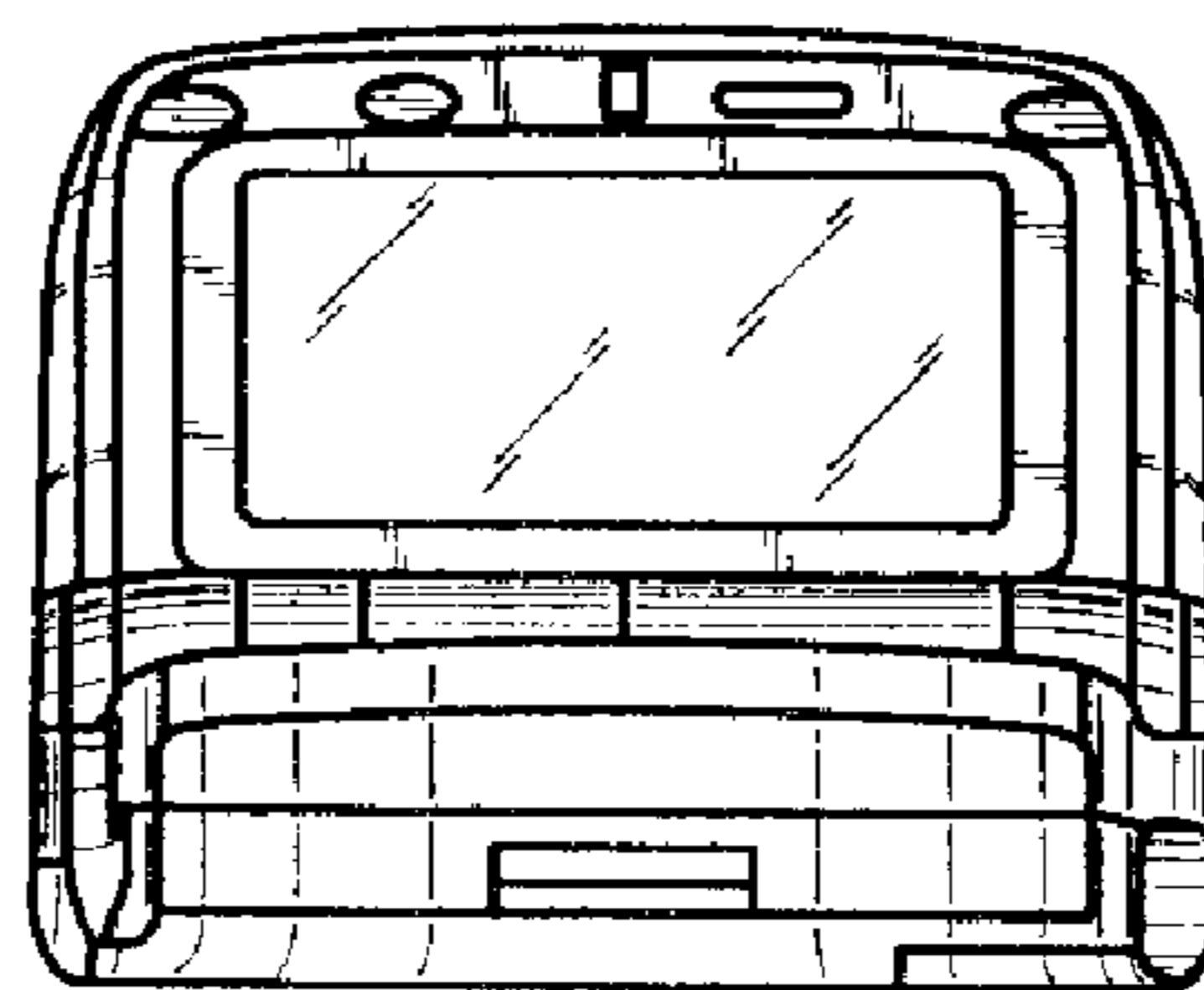


Fig. 7