

US00D507254S

(12) **United States Design Patent**
Chen

(10) **Patent No.:** **US D507,254 S**
(45) **Date of Patent:** **** Jul. 12, 2005**

(54) **MOBILE PHONE**

(75) **Inventor:** **Li-Qiang Chen, Sujhou (CN)**

(73) **Assignee:** **Benq Corporation, Taoyuan (TW)**

(**) **Term:** **14 Years**

(21) **Appl. No.:** **29/209,902**

(22) **Filed:** **Jul. 23, 2004**

(30) **Foreign Application Priority Data**

Jun. 28, 2004 (TW) 93303786

(51) **LOC (8) Cl.** **14-03**

(52) **U.S. Cl.** **D14/138**

(58) **Field of Search** D14/137, 138,
D14/147-148, 247-248, 144, 341-347;
379/433.01-433.13, 434; 455/550.1-90.3,
575.3, 566, 575.1; D21/517

(56) **References Cited**

U.S. PATENT DOCUMENTS

D428,403 S	*	7/2000	Hyun	D14/138
D431,539 S	*	10/2000	Kuo	D14/138
D432,510 S	*	10/2000	Hyun	D14/138
D439,571 S	*	3/2001	Hyun	D14/138
D445,411 S	*	7/2001	Kim et al.	D14/138
D446,508 S	*	8/2001	Yoo et al.	D14/138
D447,741 S	*	9/2001	Lee et al.	D14/138
D449,284 S	*	10/2001	Kim et al.	D14/138
D455,135 S	*	4/2002	Hyun	D14/138
D458,594 S	*	6/2002	Jang	D14/138
D459,330 S	*	6/2002	Suzuki et al.	D14/138
D468,282 S	*	1/2003	Chen	D14/138
D475,689 S	*	6/2003	Shimazu et al.	D14/138

D481,696 S	*	11/2003	Wei et al.	D14/138
D484,479 S	*	12/2003	Park	D14/138
D485,817 S	*	1/2004	Liao et al.	D14/138
D488,144 S	*	4/2004	Hwang	D14/138
D489,697 S	*	5/2004	Lee et al.	D14/138
D491,158 S	*	6/2004	Mou et al.	D14/138
D491,548 S	*	6/2004	Cho	D14/138
D493,438 S	*	7/2004	Cho	D14/138
D494,948 S	*	8/2004	Cho	D14/138
D498,223 S	*	11/2004	Ho et al.	D14/138
2002/0111195 A1	*	8/2002	Kweon et al.	455/566
2004/0185924 A1	*	9/2004	Hwang et al.	455/575.3

FOREIGN PATENT DOCUMENTS

JP	D1154363	*	9/2002
JP	D1185425	*	9/2003

* cited by examiner

Primary Examiner—Jeffrey Asch

(74) *Attorney, Agent, or Firm*—Thomas, Kayden, Horstemeyer & Risley

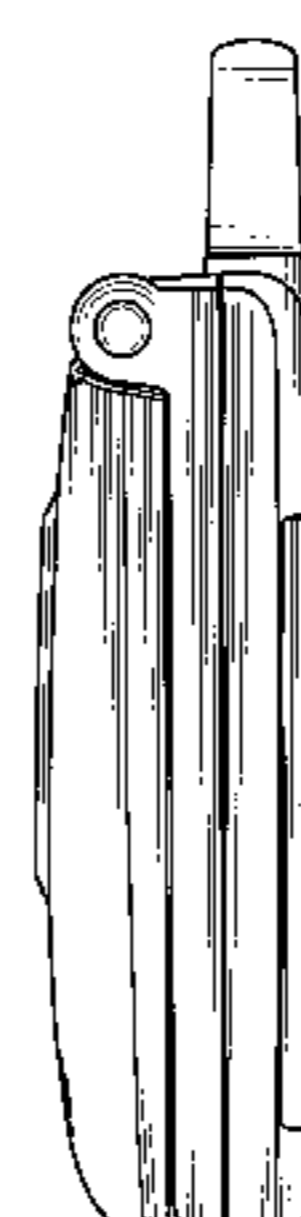
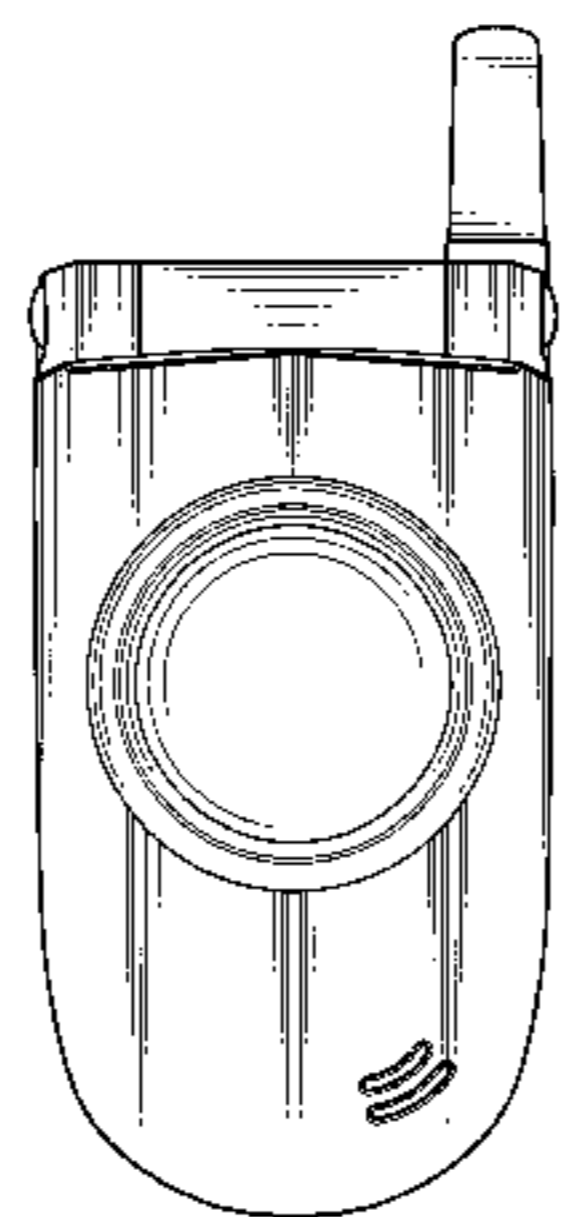
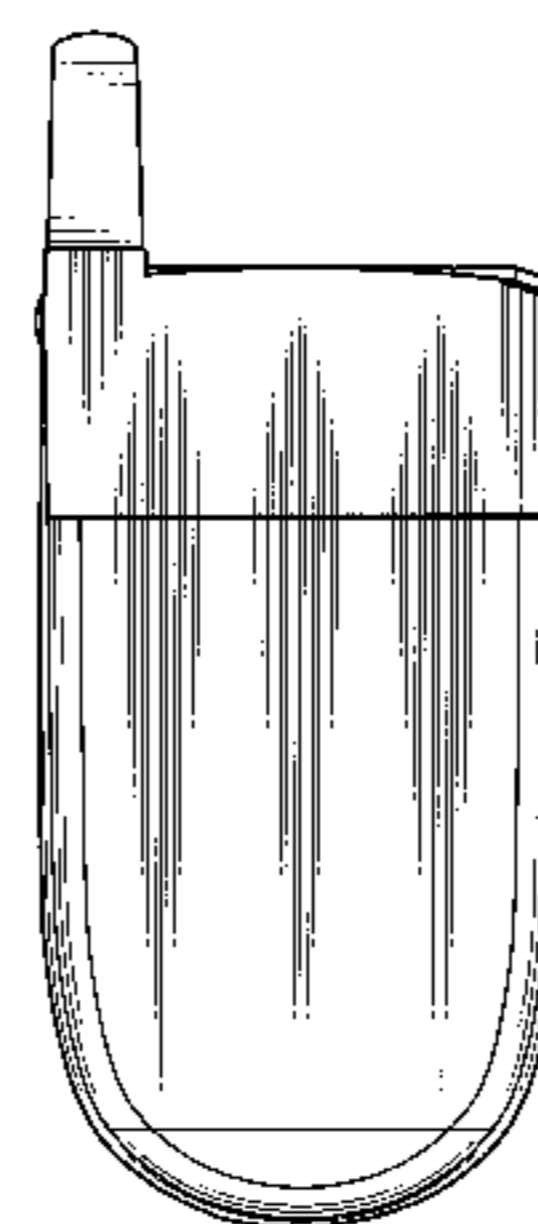
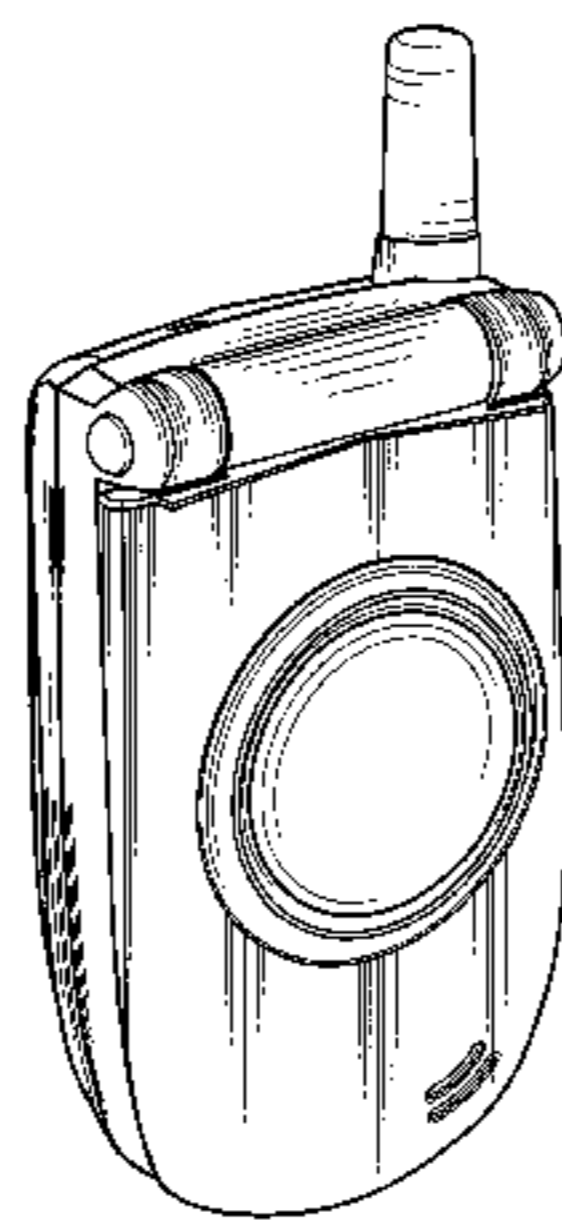
(57) **CLAIM**

The ornamental design for a mobile phone, as shown and described.

DESCRIPTION

FIG. 1 is a perspective view thereof;
FIG. 2 is a front elevational view thereof;
FIG. 3 is a rear elevational view thereof;
FIG. 4 is a left side elevational view thereof;
FIG. 5 is a right side elevational view thereof;
FIG. 6 is a top plan view thereof; and,
FIG. 7 is a bottom plan view thereof.

1 Claim, 6 Drawing Sheets



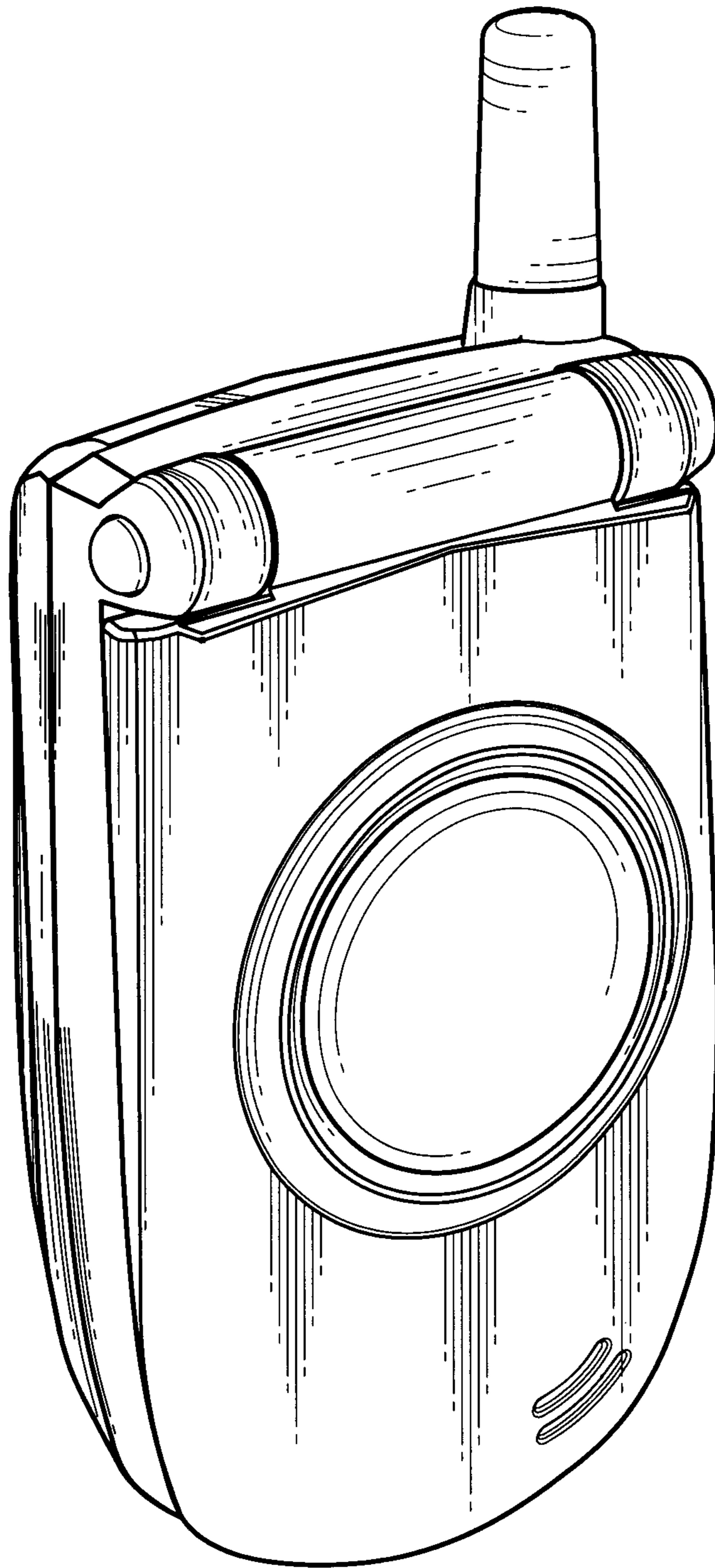


FIG. 1

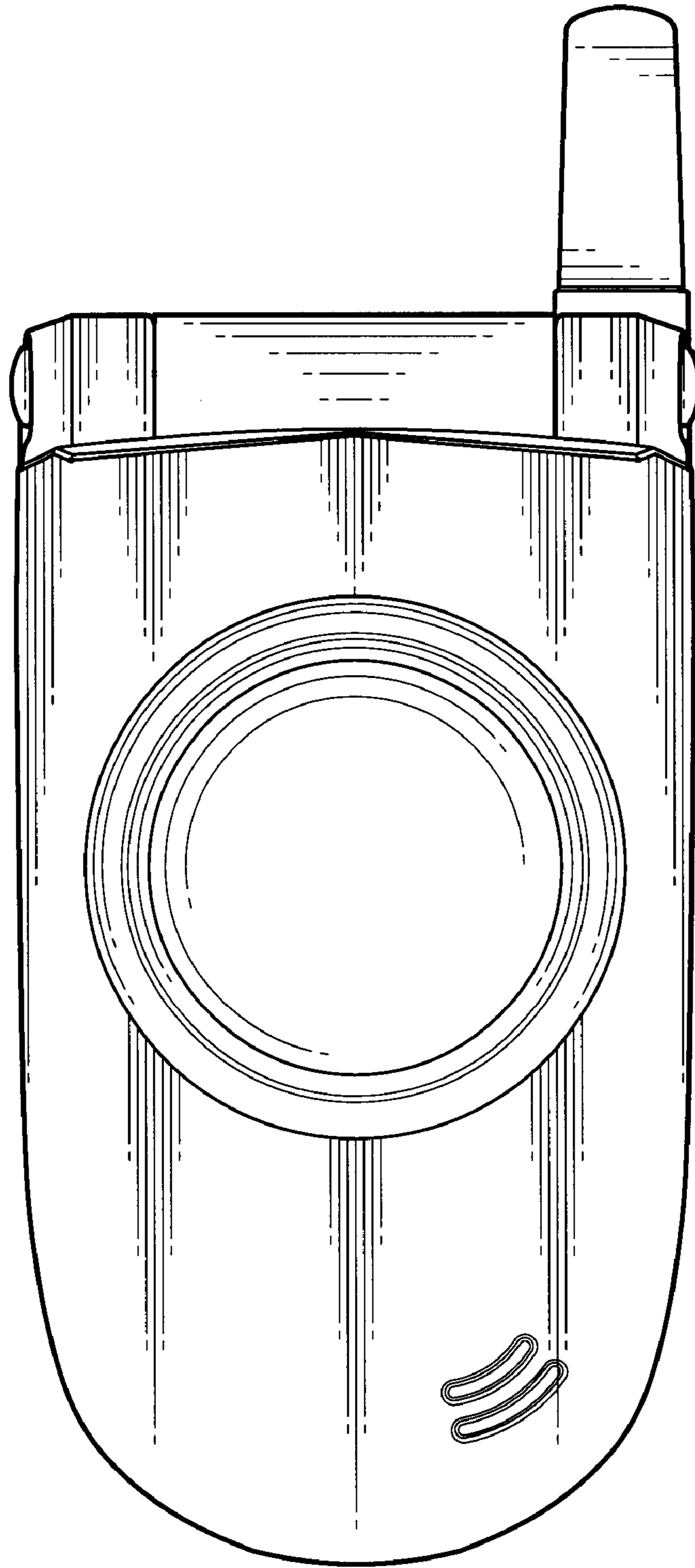


FIG. 2

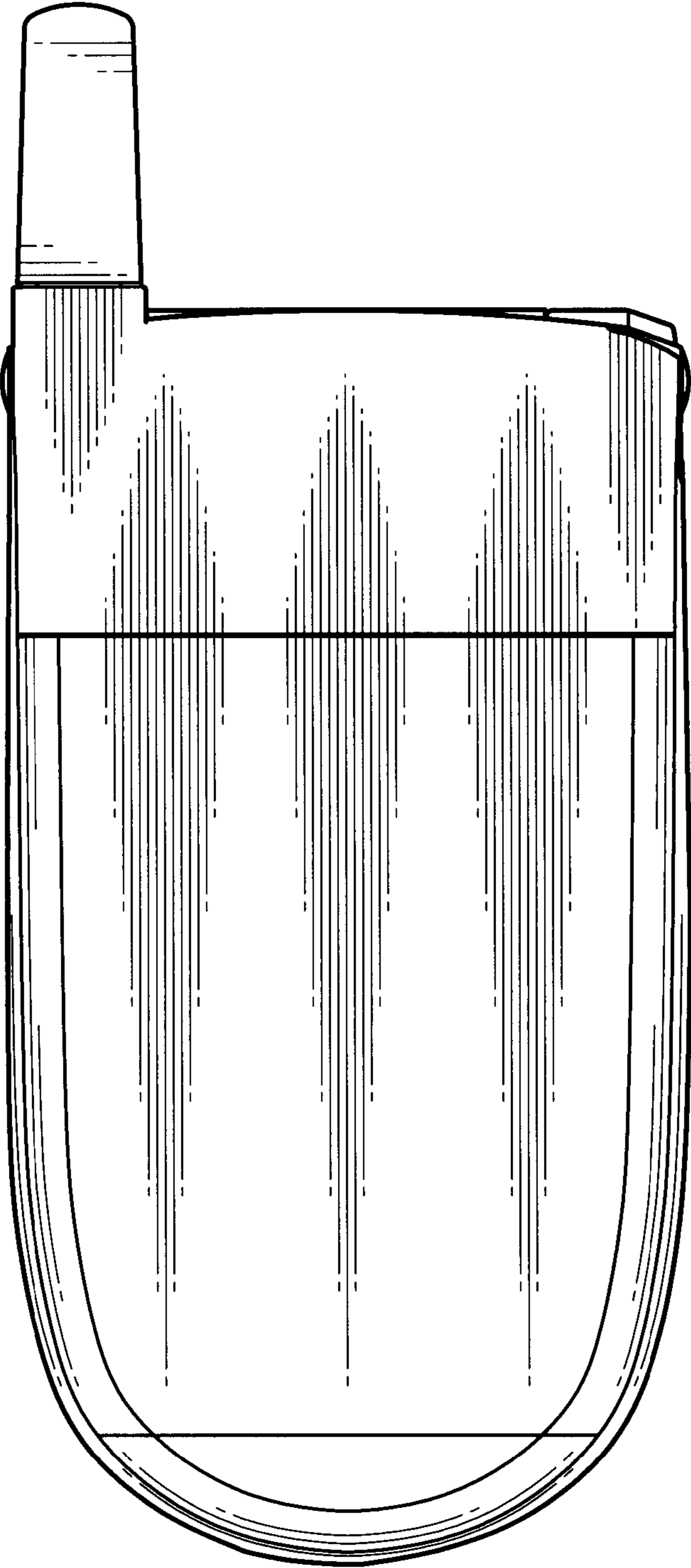


FIG. 3

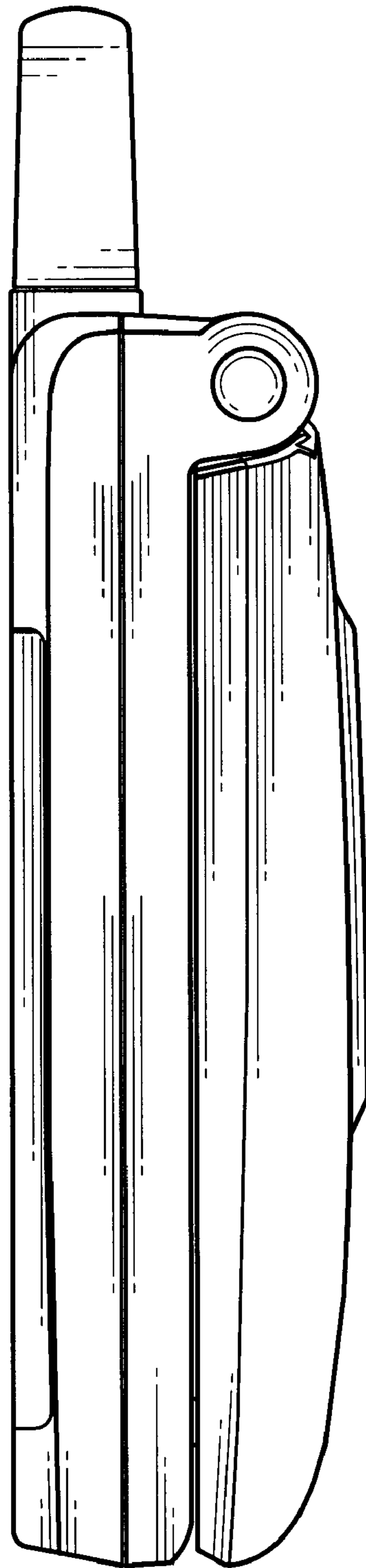


FIG. 4

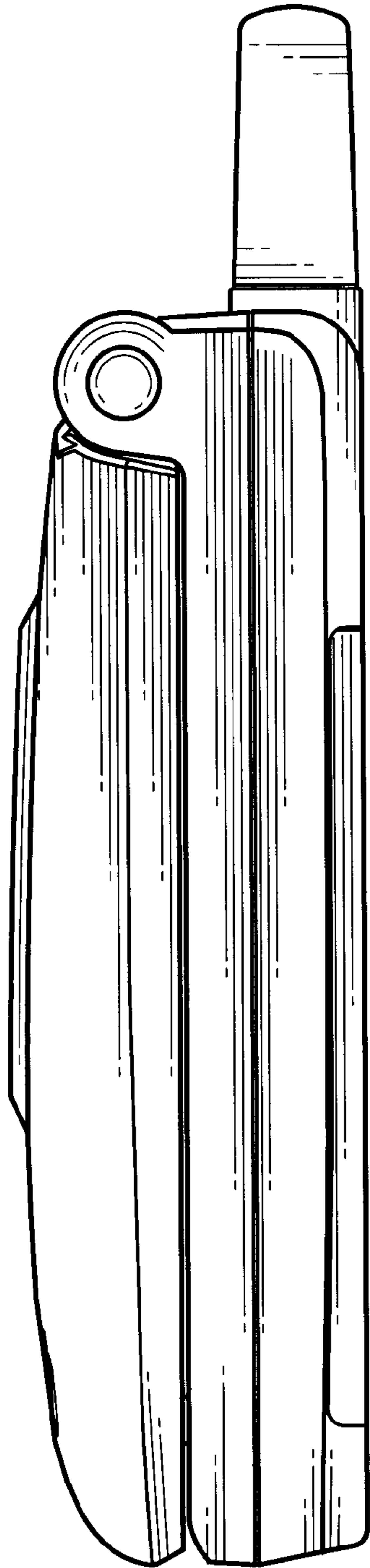


FIG. 5

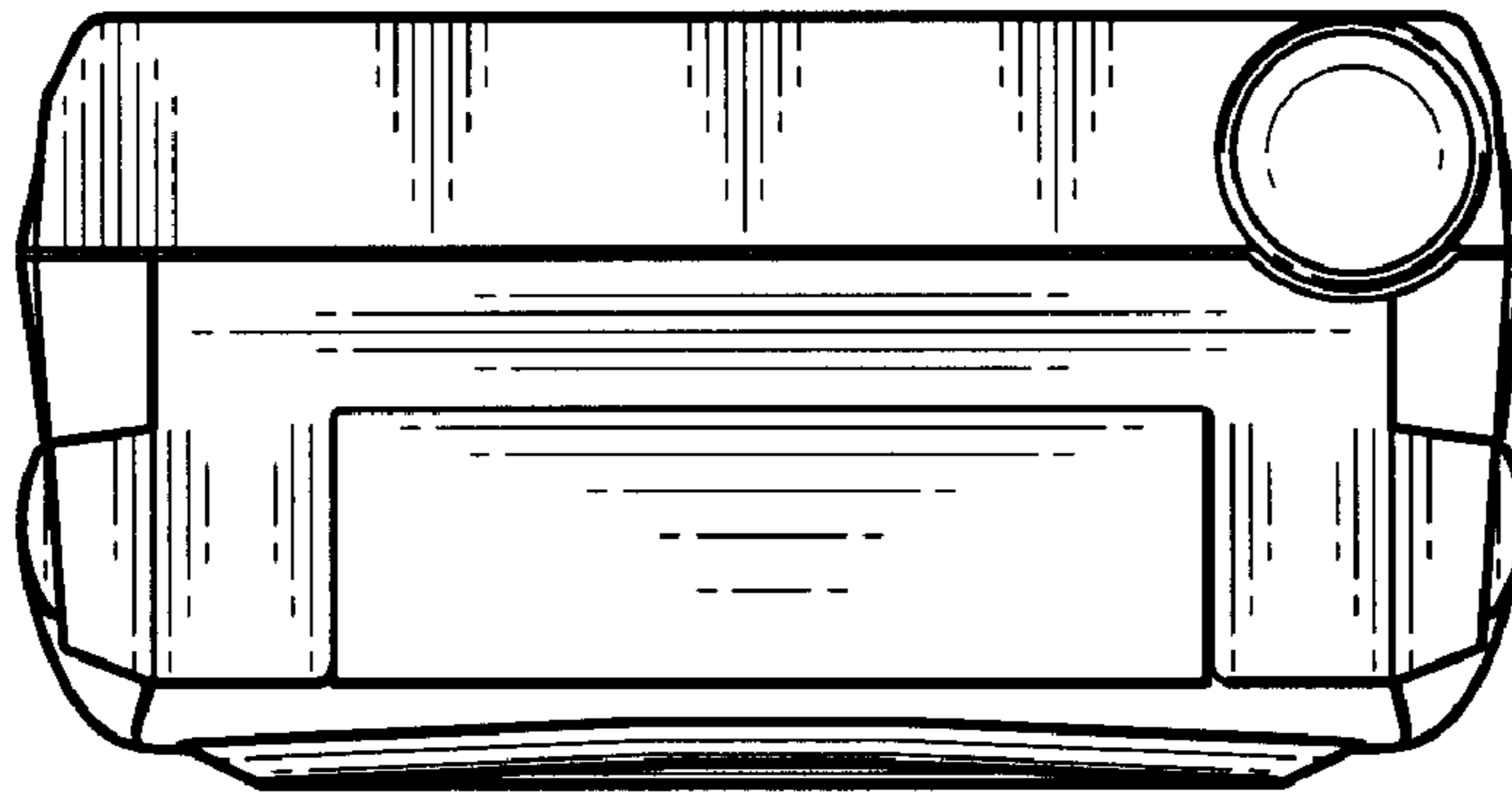


FIG. 6

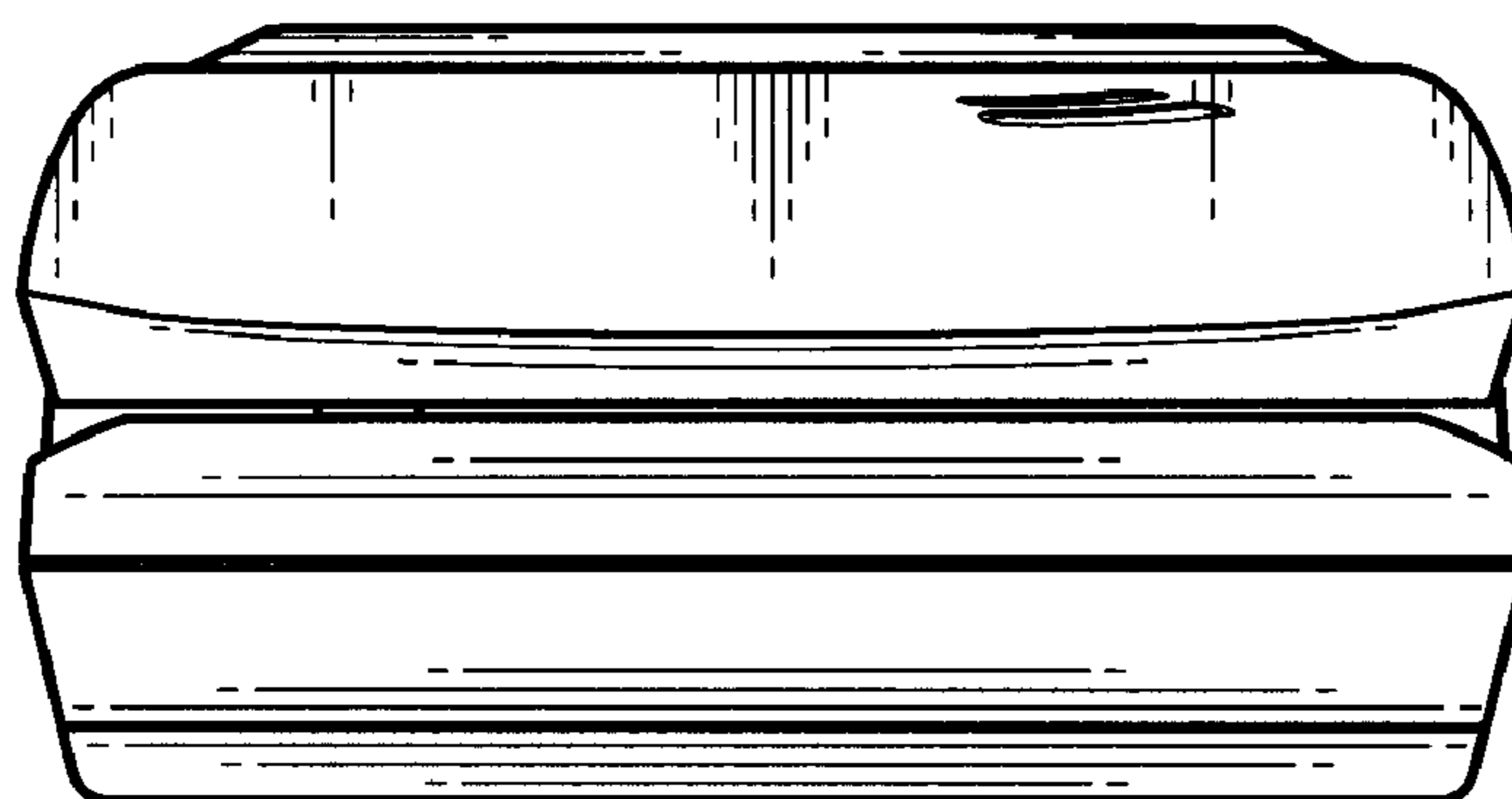


FIG. 7