

US00D507252S

(12) **United States Design Patent**
Kim et al.

(10) **Patent No.:** **US D507,252 S**
(45) **Date of Patent:** **** Jul. 12, 2005**

(54) **PORTABLE TELEPHONE**

(75) Inventors: **Yu-Guen Kim**, Gumi-Si (KR);
Hyun-Seop Kim, Gunpo-Si (KR);
Chang-Hwan Hwang, Goyang-Si (KR)

(73) Assignee: **Samsung Electronics Co., Ltd.**,
Kyungki-do (KR)

(**) **Term:** **14 Years**

(21) **Appl. No.:** **29/206,807**

(22) **Filed:** **Jun. 4, 2004**

(30) **Foreign Application Priority Data**

Dec. 11, 2003 (KR) 30-2003-0035262

(51) **LOC (8) Cl.** **14-03**

(52) **U.S. Cl.** **D14/138**

(58) **Field of Search** D14/137, 138,
D14/147-148, 247-248, 144, 341-347;
379/433.01-433.13, 434; 455/550.1-90.3,
575.3, 566, 575.1; D21/517

(56) **References Cited**

U.S. PATENT DOCUMENTS

- 5,027,394 A * 6/1991 Ono et al. 379/434
- 5,742,912 A * 4/1998 Nishiyama et al. 455/566
- D477,296 S * 7/2003 Minamide D14/138
- D484,862 S * 1/2004 Yang D14/138
- D486,462 S * 2/2004 Lim D14/138
- D487,443 S * 3/2004 Yoon D14/138
- D488,453 S * 4/2004 Chang et al. D14/138
- D488,788 S * 4/2004 Chan D14/138
- D491,907 S * 6/2004 Ogawa D14/138
- D495,672 S * 9/2004 Jeon et al. D14/138
- D495,674 S * 9/2004 Yoo et al. D14/138
- D496,020 S * 9/2004 Lee D14/138
- D496,021 S * 9/2004 Jang D14/138

- D496,347 S * 9/2004 Choi et al. D14/191
- D497,894 S * 11/2004 Kim D14/138
- D498,734 S * 11/2004 Joung D14/138
- D500,016 S * 12/2004 Kim D14/138
- D500,480 S * 1/2005 Daw D14/138
- 2001/0036845 A1 * 11/2001 Park 455/566
- 2002/0187818 A1 * 12/2002 Kang 455/575
- 2003/0109232 A1 * 6/2003 Park et al. 455/90
- 2004/0023684 A1 * 2/2004 Sato et al. 455/550.1
- 2004/0110541 A1 * 6/2004 Choo 455/566
- 2004/0185920 A1 * 9/2004 Choi et al. 455/575.1
- 2004/0185925 A1 * 9/2004 Kim 455/575.3
- 2004/0203535 A1 * 10/2004 Kim et al. 455/90.3
- 2004/0209645 A1 * 10/2004 Park et al. 455/556.1
- 2004/0229646 A1 * 11/2004 Cho 455/556.1
- 2005/0003852 A1 * 1/2005 Song 455/550.1

FOREIGN PATENT DOCUMENTS

JP D1155098 * 10/2002

* cited by examiner

Primary Examiner—Jeffrey Asch

(74) *Attorney, Agent, or Firm*—Leydig, Voit & Mayer, Ltd.

(57) **CLAIM**

We claim the ornamental design for a portable telephone, as shown and described.

DESCRIPTION

FIG. 1 is a perspective view of a portable telephone, when closed, according to our new design;
FIG. 2 is a front view thereof, when closed;
FIG. 3 is a rear view thereof, when closed;
FIG. 4 is a left side view thereof, when closed;
FIG. 5 is a right side view thereof, when closed;
FIG. 6 is a top view thereof, when closed;
FIG. 7 is a bottom view thereof, when closed; and,
FIG. 8 is a front view thereof, when open.

1 Claim, 5 Drawing Sheets

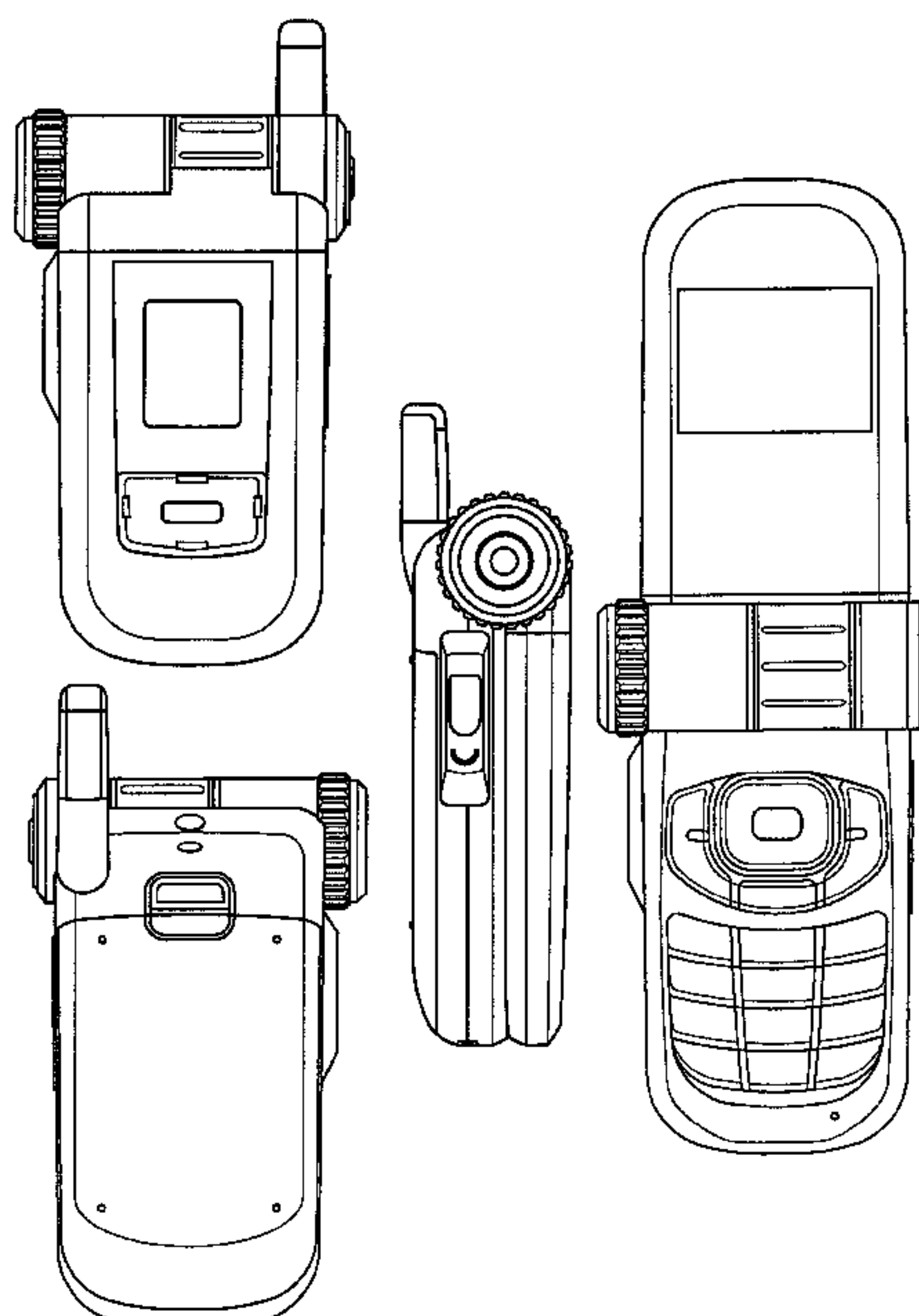


FIG. 1

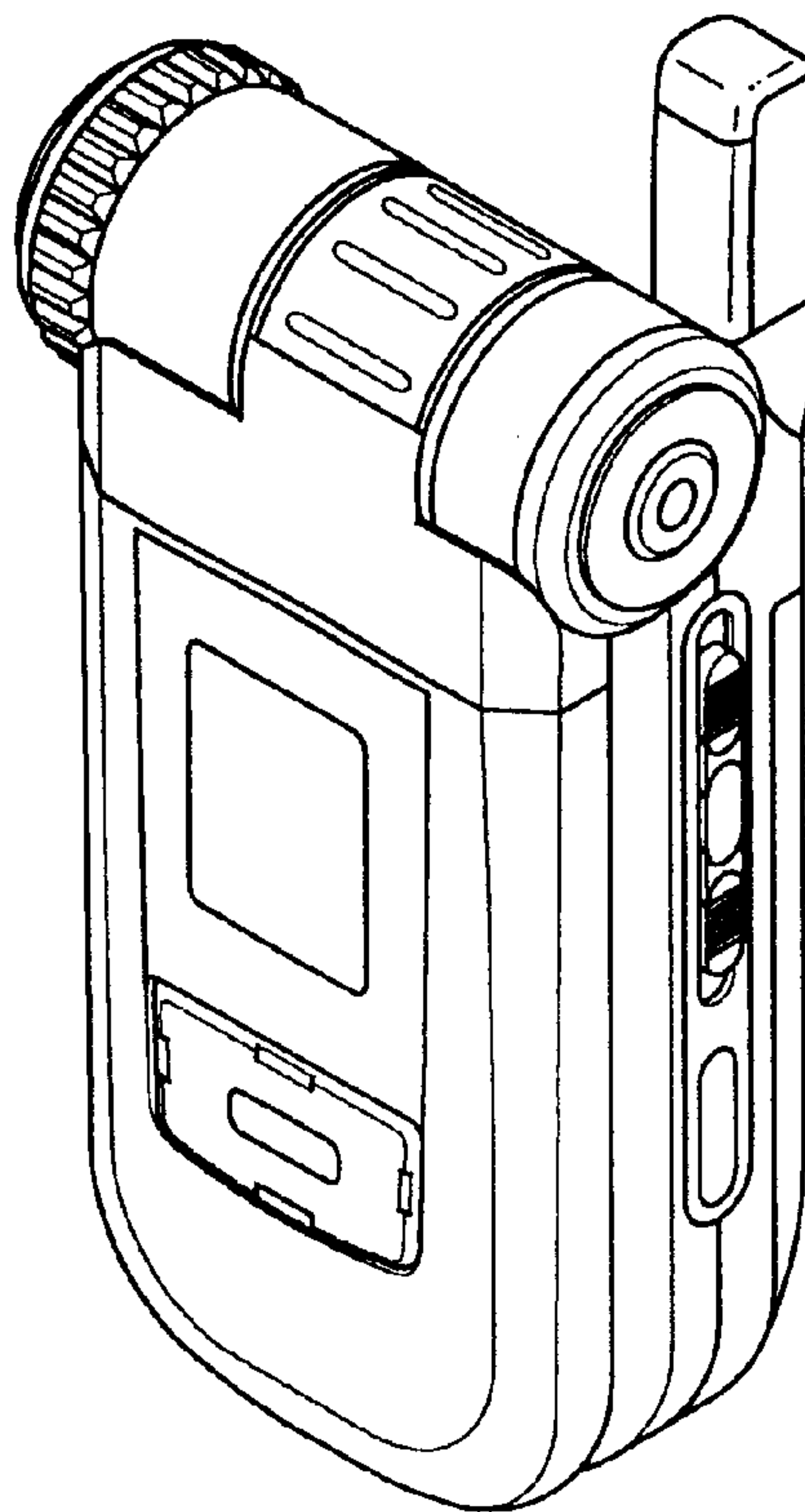


FIG. 2

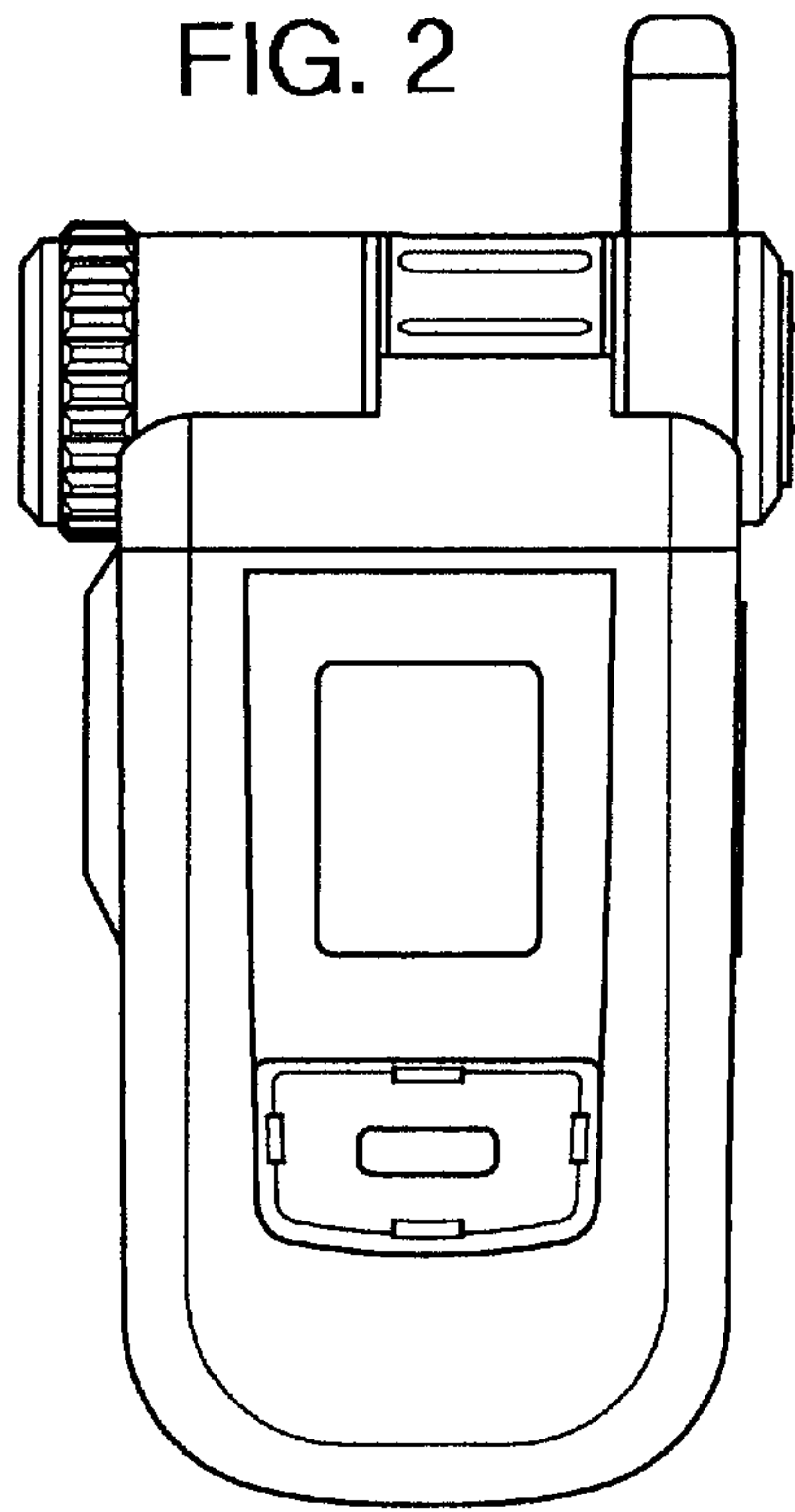
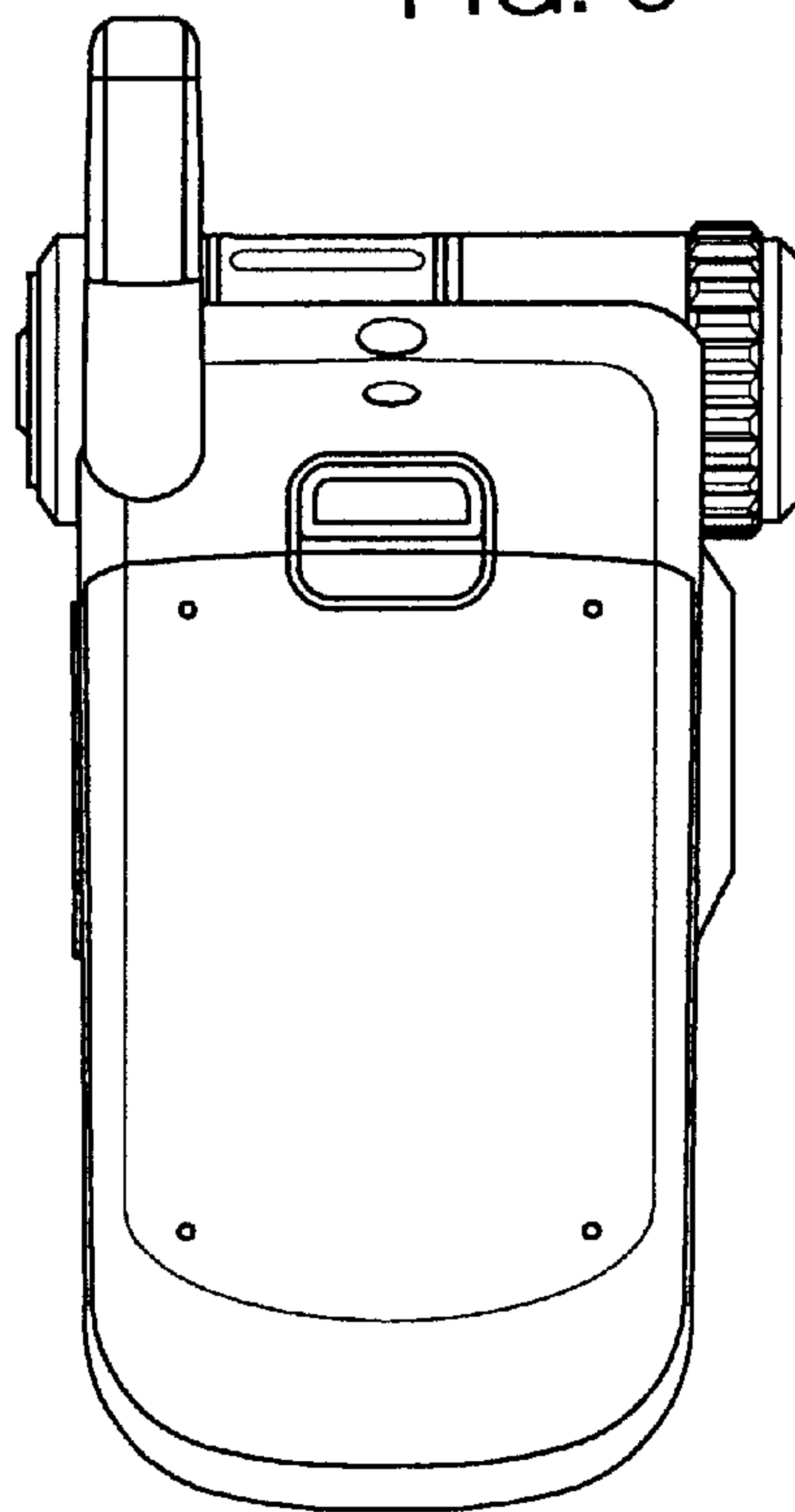


FIG. 3



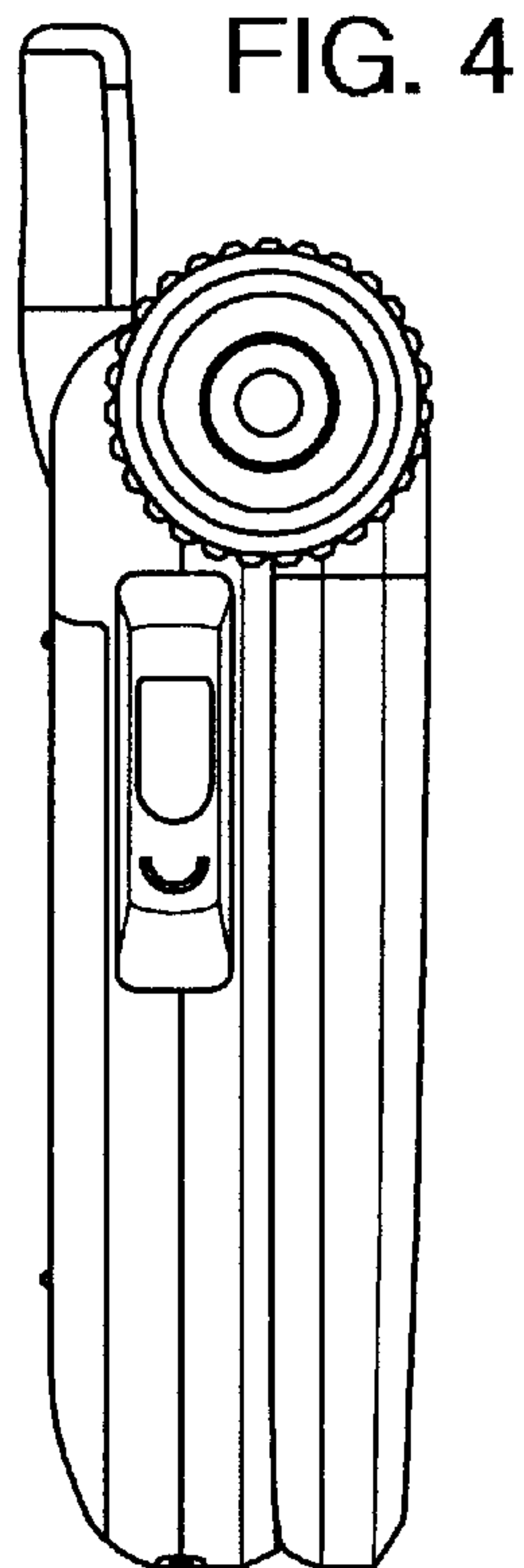


FIG. 5

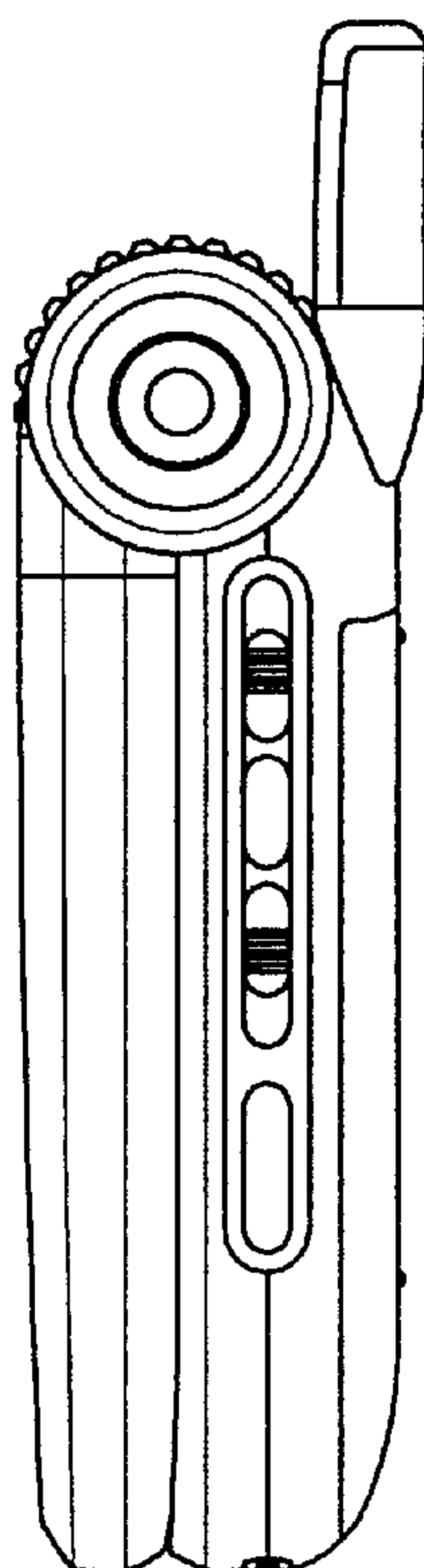


FIG. 6

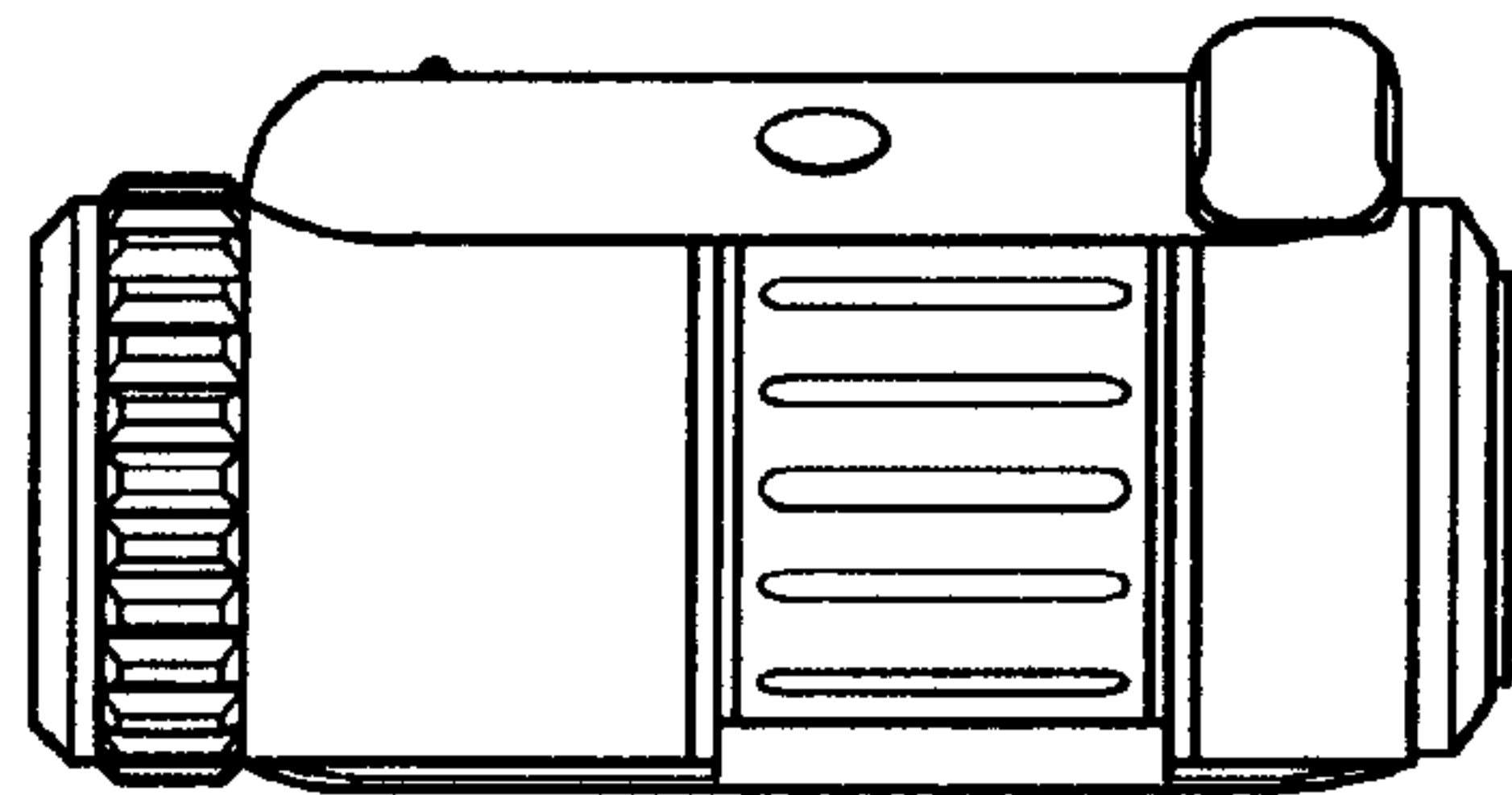


FIG. 7

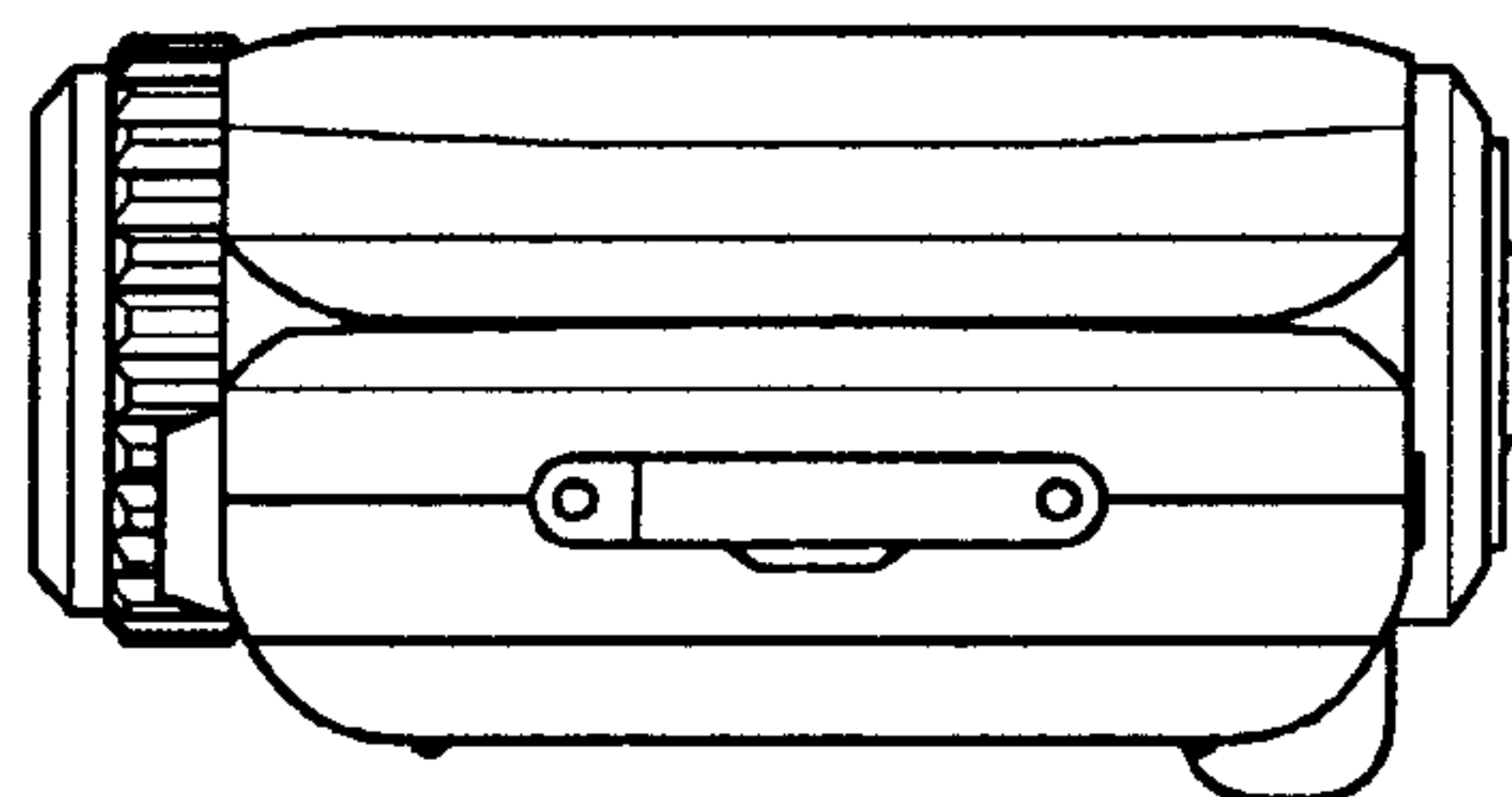


FIG. 8

