

US00D507250S

(12) **United States Design Patent** (10) **Patent No.:** **US D507,250 S**
Santos et al. (45) **Date of Patent:** **** Jul. 12, 2005**

(54) **WIRELESS COMMUNICATION DEVICE**

(75) Inventors: **Theodore R. Santos**, Boulder, CO (US); **Edmund V. Simmons**, Lafayette, CO (US); **Daniel Waldburger**, La Jolla, CA (US)

(73) Assignee: **Kyocera Wireless Corporation**, San Diego, CA (US)

(**) Term: **14 Years**

(21) Appl. No.: **29/181,263**

(22) Filed: **May 7, 2003**

Related U.S. Application Data

(62) Division of application No. 29/162,225, filed on Jun. 12, 2002.

(51) **LOC (8) Cl.** **14-03**

(52) **U.S. Cl.** **D14/138**

(58) **Field of Search** D14/137, 138, D14/218, 147-148, 247-248, 144, 341-347; 379/433.01-433.13, 419, 434, 428.01-428.04, 420.01-420.04, 440; 455/550.1-90.3; D21/517

(56) **References Cited**

U.S. PATENT DOCUMENTS

- D406,135 S * 2/1999 Nagano et al. D14/138
- D407,701 S * 4/1999 Chintala et al. D14/138
- D407,719 S * 4/1999 Nagano et al. D14/138
- D407,722 S * 4/1999 Nagano et al. D14/138
- D408,032 S * 4/1999 Nagano et al. D14/138
- D411,994 S * 7/1999 Nakahara et al. D14/138
- D413,884 S * 9/1999 Ogawa D14/138
- D415,489 S * 10/1999 Ke D14/138
- D417,213 S * 11/1999 Meyer D14/138
- D421,005 S * 2/2000 Lucaci et al. D14/138
- 6,084,962 A * 7/2000 Plenge 379/433
- D428,867 S * 8/2000 Komuta D14/138
- D430,858 S * 9/2000 Nakahara et al. D14/138
- D433,397 S * 11/2000 Ogawa D14/138
- D434,741 S * 12/2000 Park D14/138
- D434,742 S * 12/2000 Elkins et al. D14/138

- D434,743 S * 12/2000 Wei D14/138
- D435,027 S * 12/2000 Wolf et al. D14/138
- D435,529 S * 12/2000 Lai D14/138
- D436,938 S * 1/2001 Won D14/138
- D439,573 S * 3/2001 DeLeon D14/138
- D440,952 S * 4/2001 Carvalho D14/138
- D443,600 S * 6/2001 Ogawa D14/138
- D444,134 S * 6/2001 Aihara D14/138
- D445,770 S * 7/2001 Yang D14/138
- D446,197 S * 8/2001 Lee D14/138
- D447,126 S * 8/2001 Carvalho D14/138
- D447,127 S * 8/2001 Lee D14/138
- D447,468 S * 9/2001 Nakahara et al. D14/138
- D449,588 S * 10/2001 Park D14/138
- D451,897 S * 12/2001 Hiroko D14/138
- D455,134 S * 4/2002 Kolinen D14/138
- D456,377 S * 4/2002 Miyazawa et al. D14/138
- D458,595 S * 6/2002 Yin et al. D14/138
- D459,325 S * 6/2002 Nakahara D14/138
- D459,328 S * 6/2002 Kurimoto D14/138
- D460,057 S * 7/2002 Hunt D14/138
- D464,940 S * 10/2002 Jung D14/138
- 6,480,726 B1 * 11/2002 Sato et al. 455/566
- D467,918 S * 12/2002 Fitch et al. D14/347
- D468,280 S * 1/2003 Kim et al. D14/138
- D468,281 S * 1/2003 Taniguchi et al. D14/138

* cited by examiner

Primary Examiner—Jeffrey Asch

(74) *Attorney, Agent, or Firm*—Procopio, Cory, Hargreaves & Savitch LLP

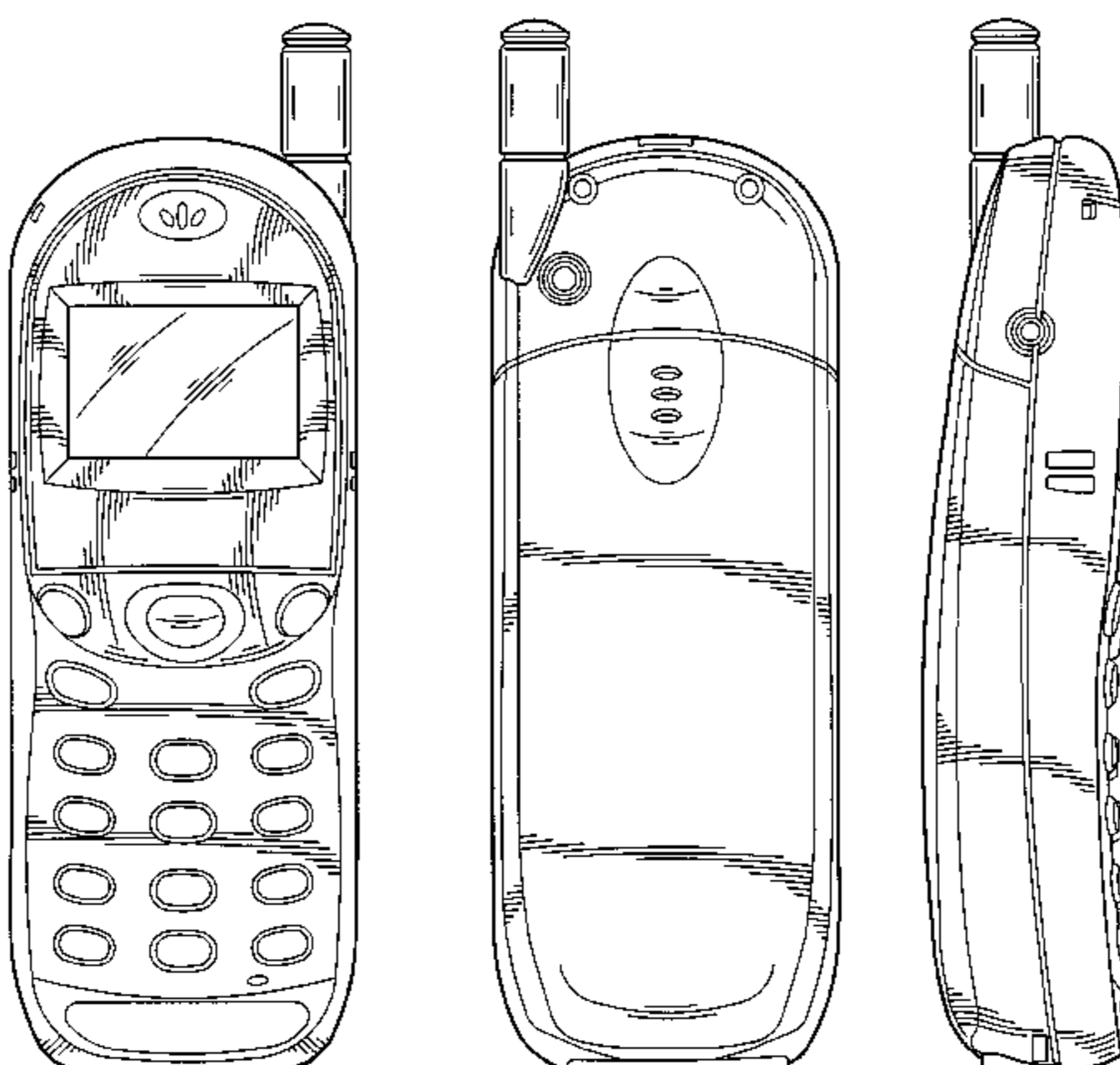
(57) **CLAIM**

The ornamental design for a wireless communication device, as shown and described.

DESCRIPTION

FIG. 1 is a front perspective view of an embodiment of the wireless communication device;
 FIG. 2 is a rear perspective view thereof;
 FIG. 3 is a front elevational view thereof;
 FIG. 4 is a top plan view thereof;
 FIG. 5 is a rear elevational view thereof;
 FIG. 6 is a bottom plan view thereof;
 FIG. 7 is a left side elevational view thereof; and,
 FIG. 8 is a right side elevational view thereof.

1 Claim, 3 Drawing Sheets



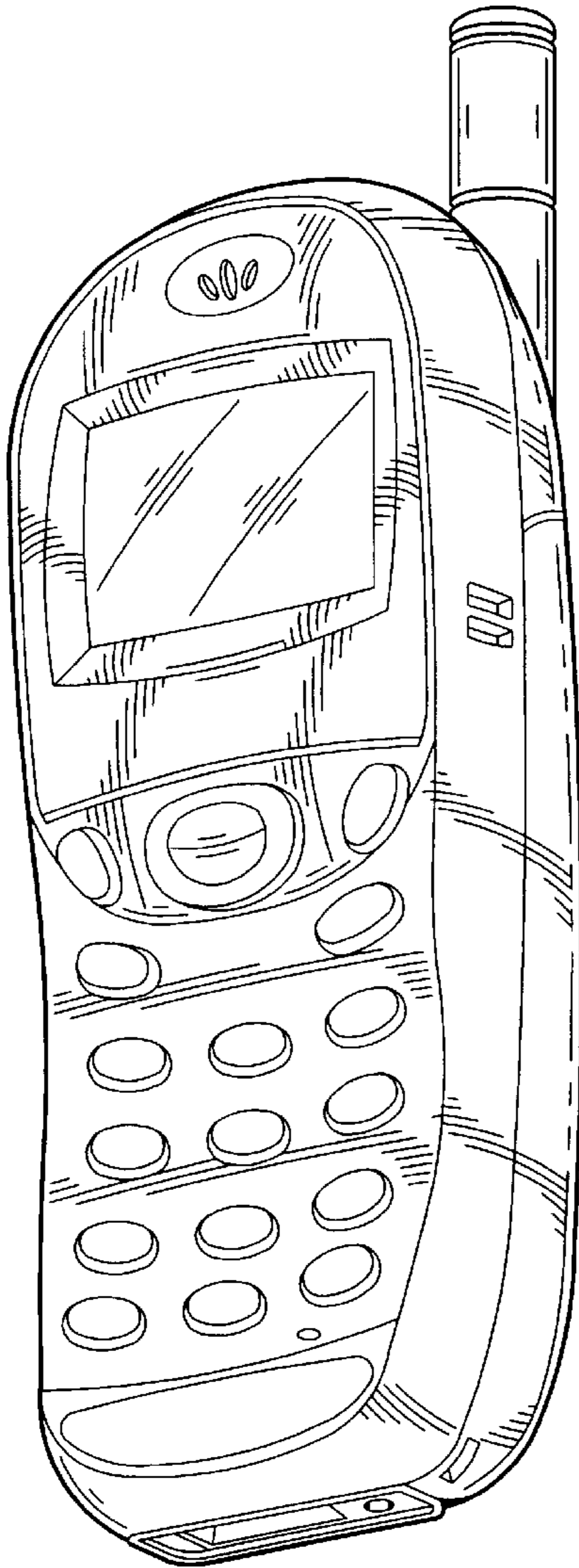


FIG. 1

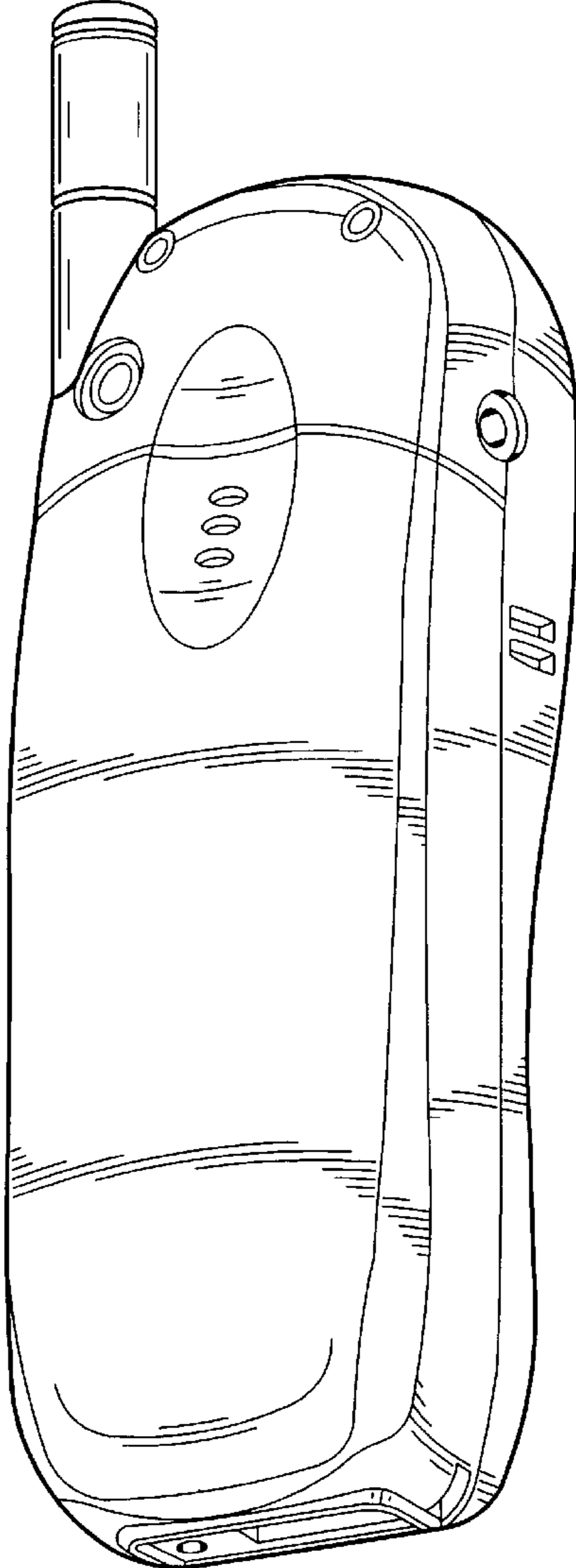


FIG. 2

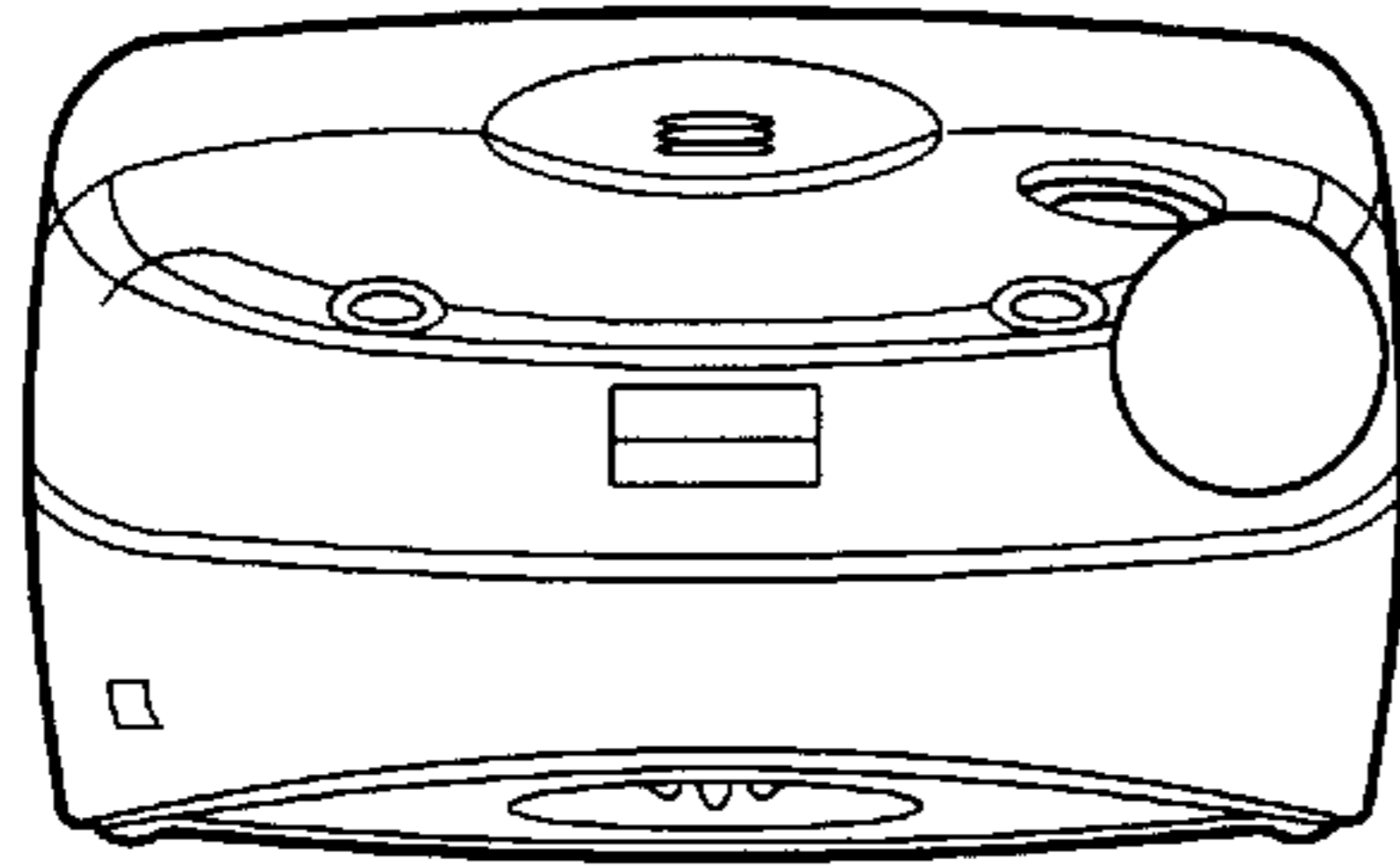


FIG. 4

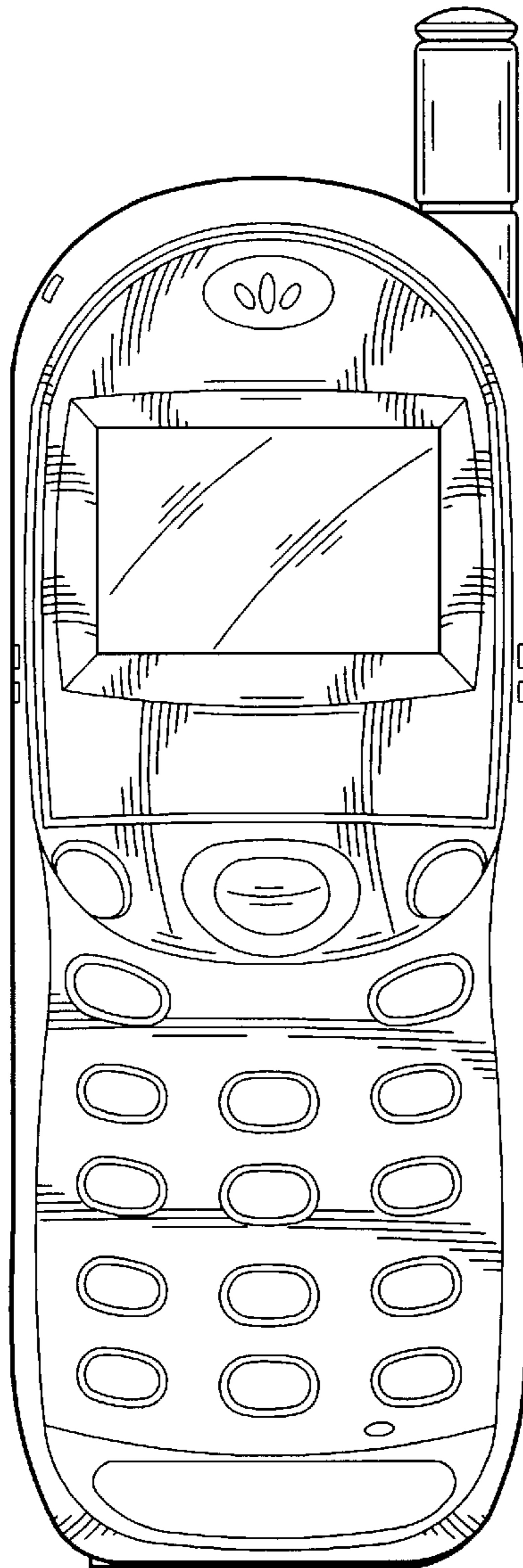


FIG. 3

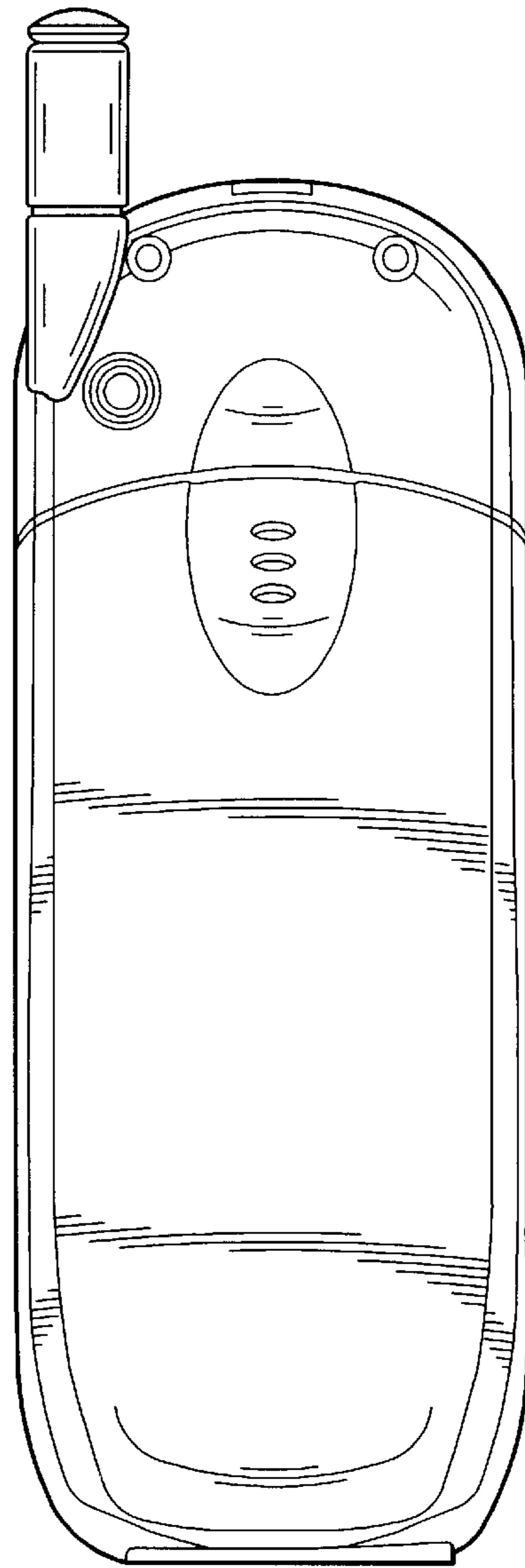


FIG. 5

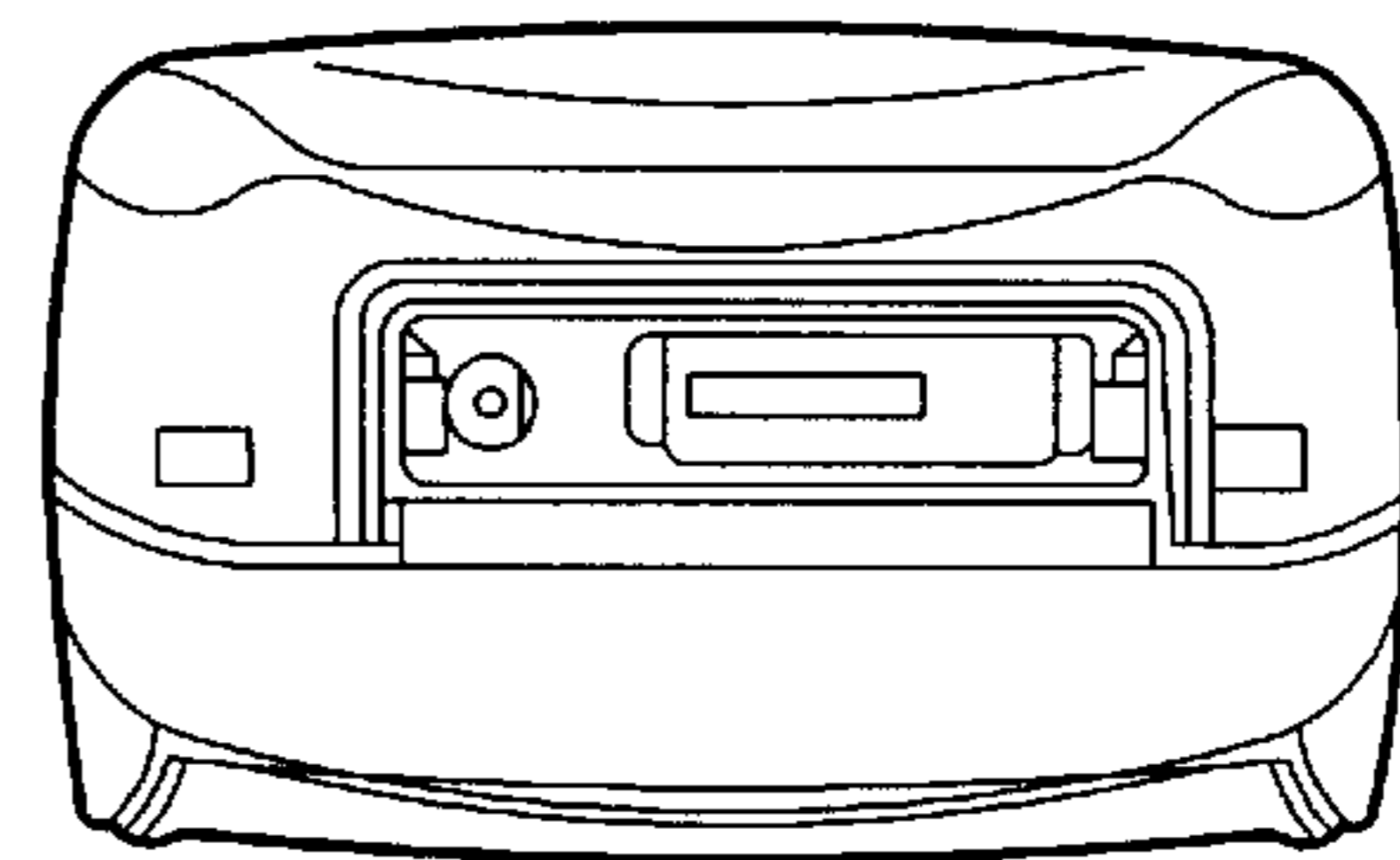


FIG. 6

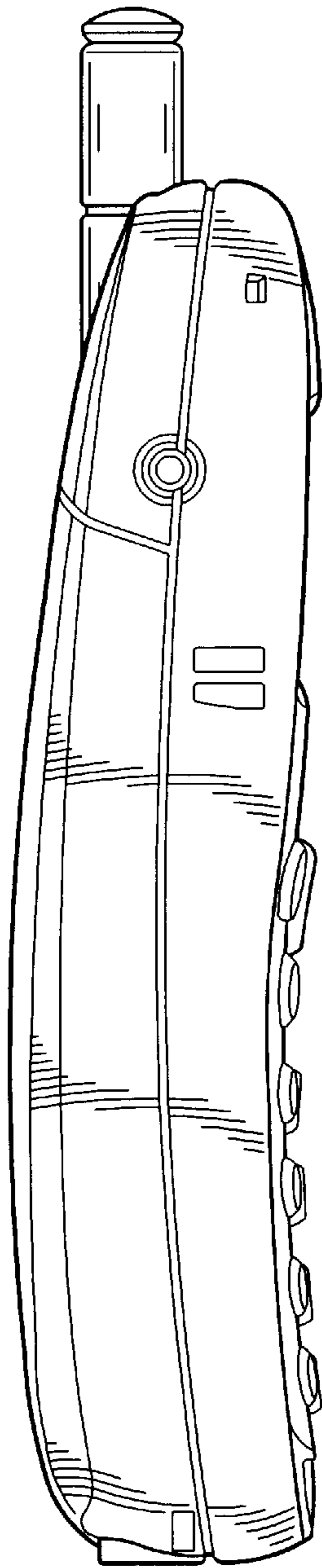


FIG. 7

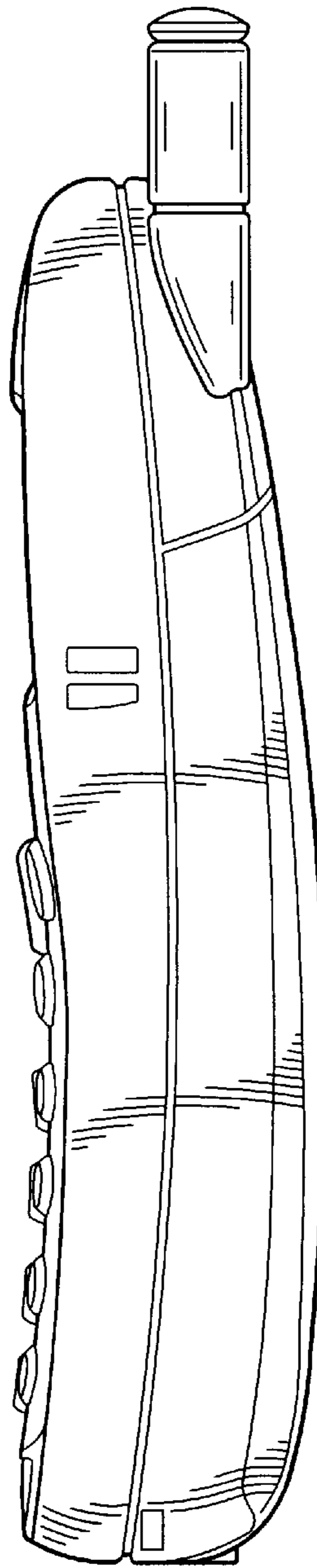


FIG. 8